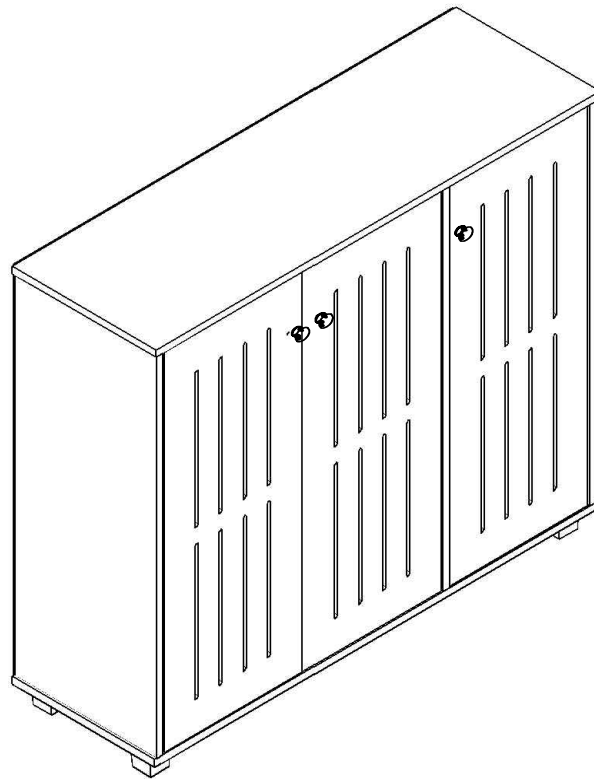


SC-ELLER  
Assembly Video

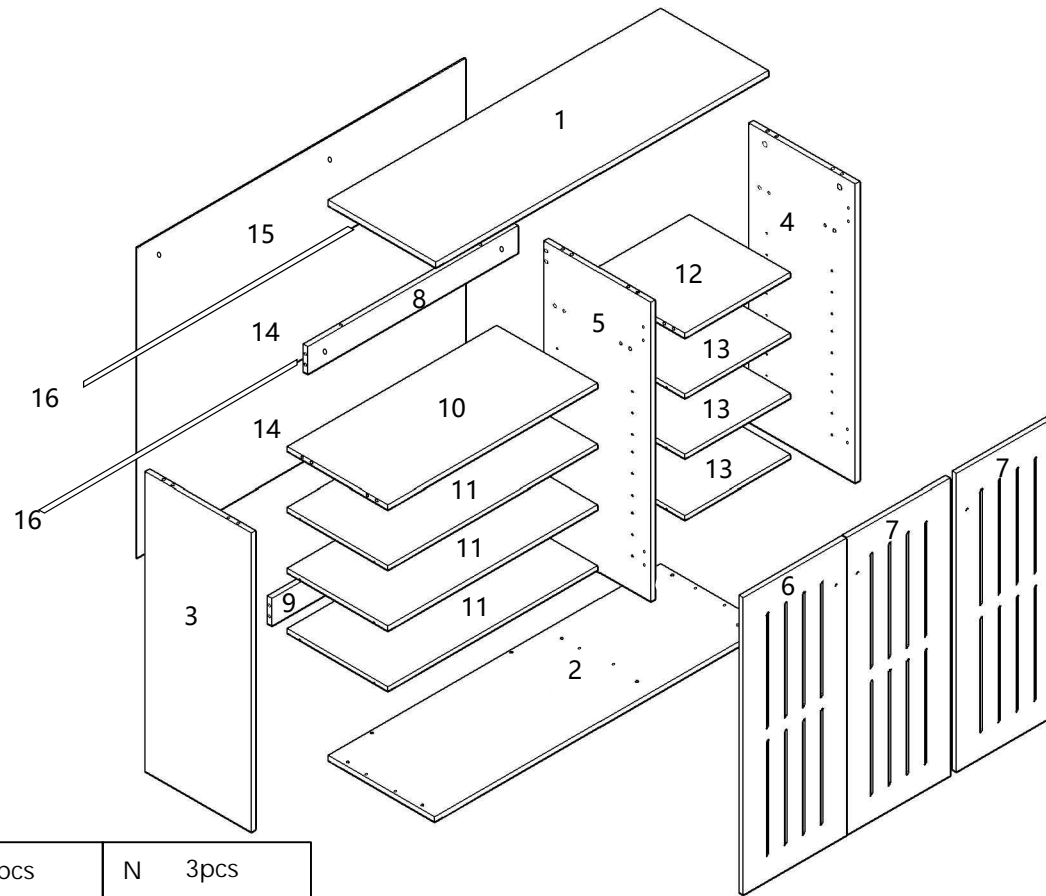


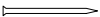
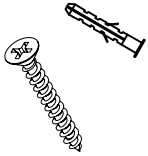
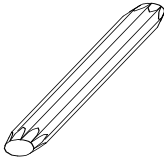
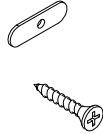

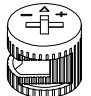
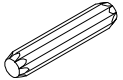


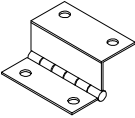
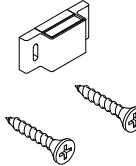



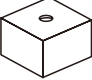
Before installation, please be sure to watch the assembly video. If the video cannot be viewed after scanning the QR code, please contact our customer service for assistance.



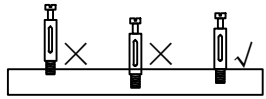
<b>⚠ WARNING</b>	
	
<p><b>Children have died from furniture tipover.</b></p> <ul style="list-style-type: none"><li>• ALWAYS secure this furniture with an anchor device.</li><li>• NEVER allow children to stand, climb or hang on drawers, doors, or shelves.</li></ul>	

Louvered Door 4 Tier Shoe Cabinet  
SC-ELLER

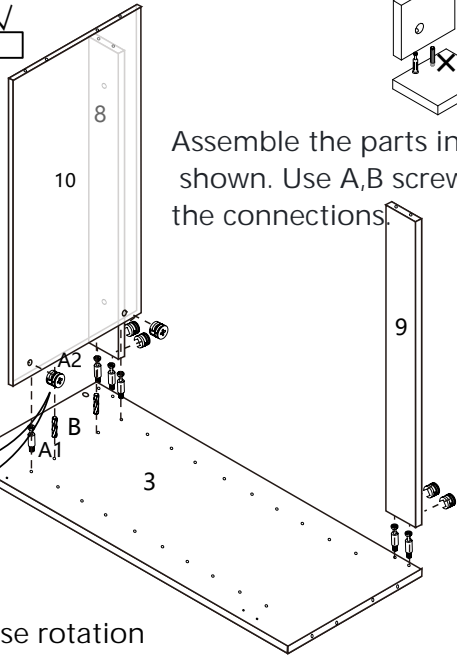


<p>K 14pc</p> 	<p>L 2pcs</p> 	<p>M 2pcs</p> 	<p>N 3pcs</p> 						
<p>A 18+1sets</p> <p>A1 </p> <p>A2 </p>	<p>B 16+1pcs</p> 	<p>C 24+2pcs 3.5*12</p> 	<p>D 14pcs 4*40</p> 	<p>E 6pcs</p> 	<p>F 3pcs</p> 	<p>G 3pcs</p> 	<p>H 24pcs</p> 	<p>I 5pcs 4*25</p> 	<p>J 5pcs</p> 

1



Tighten the screws firmly, avoid over-tightening or too loosen.



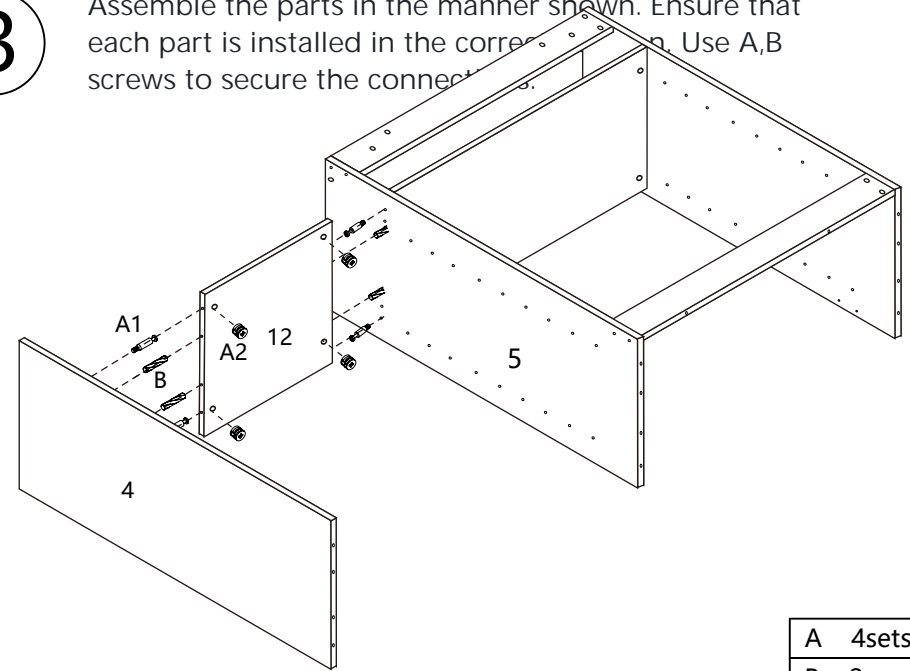
Assemble the parts in the manner shown. Use A,B screws to secure the connections.

Clockwise rotation

A	6sets
B	2pcs

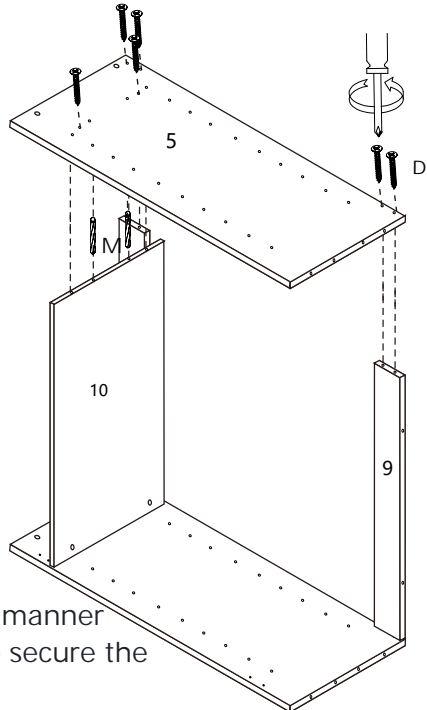
3

Assemble the parts in the manner shown. Ensure that each part is installed in the correct position. Use A,B screws to secure the connections.



A	4sets
B	2pcs

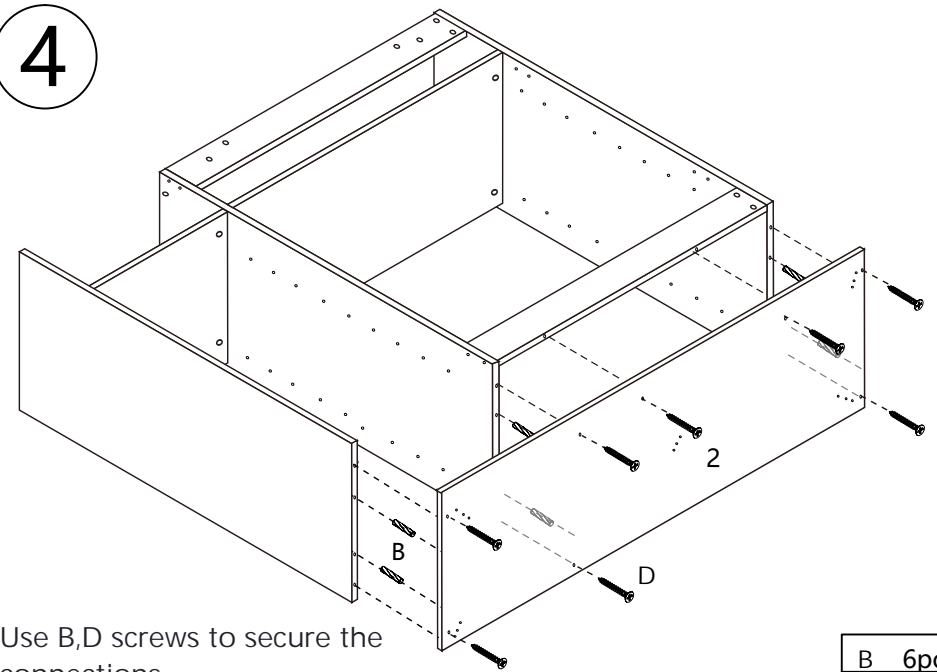
2



Assemble the parts in the manner shown. Use D,M screws to secure the connections.

D	6sets
M	2pcs

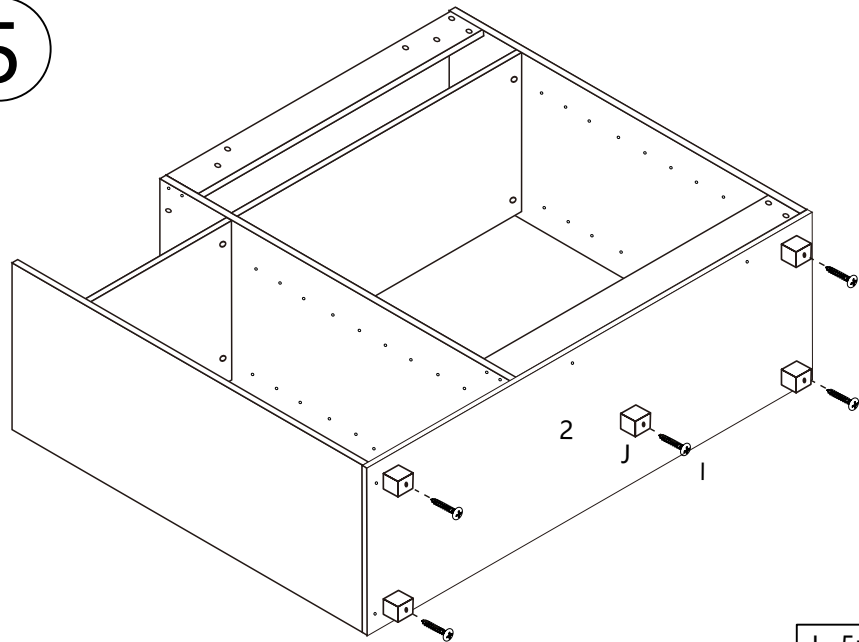
4



Use B,D screws to secure the connections.

B	6pc
D	8pcs

5



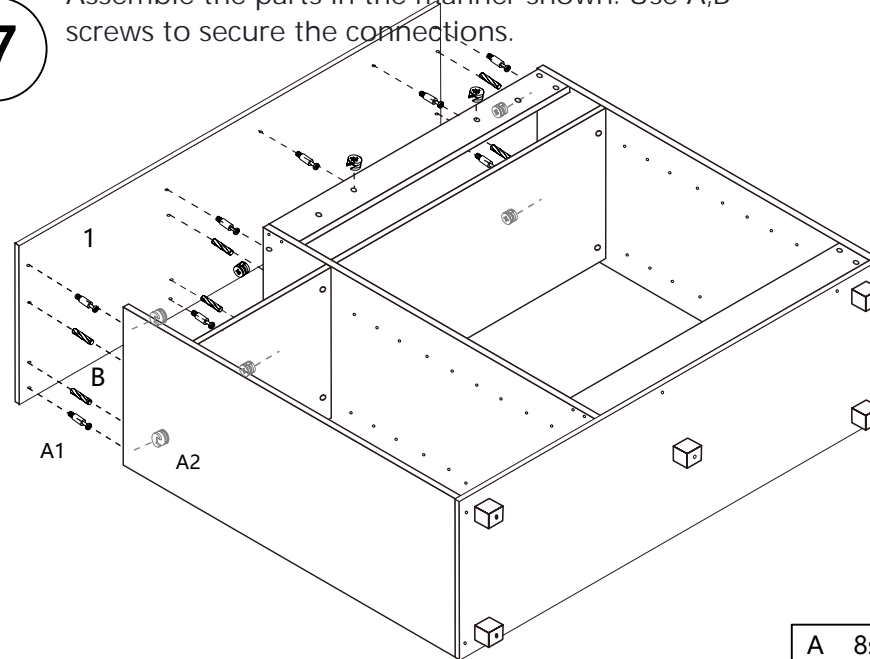
Use I screws to secure the connections.

J 5pcs

I 5pcs

7

Assemble the parts in the manner shown. Use A,B screws to secure the connections.

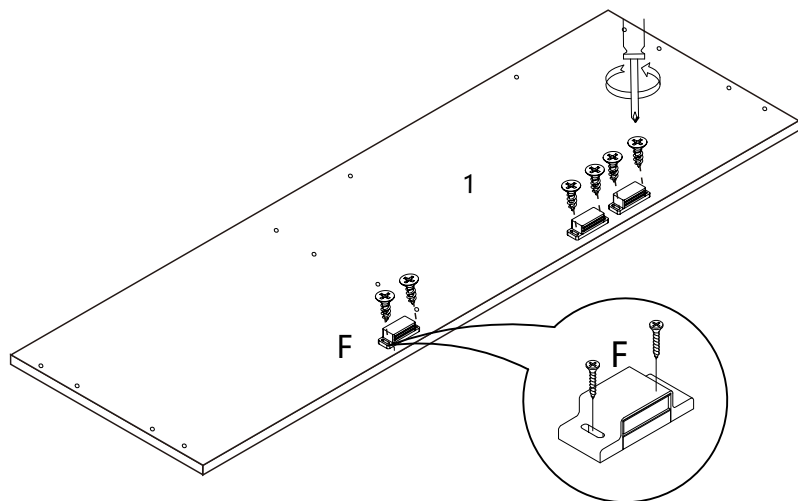


A 8sets

B 6pcs

6

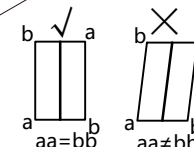
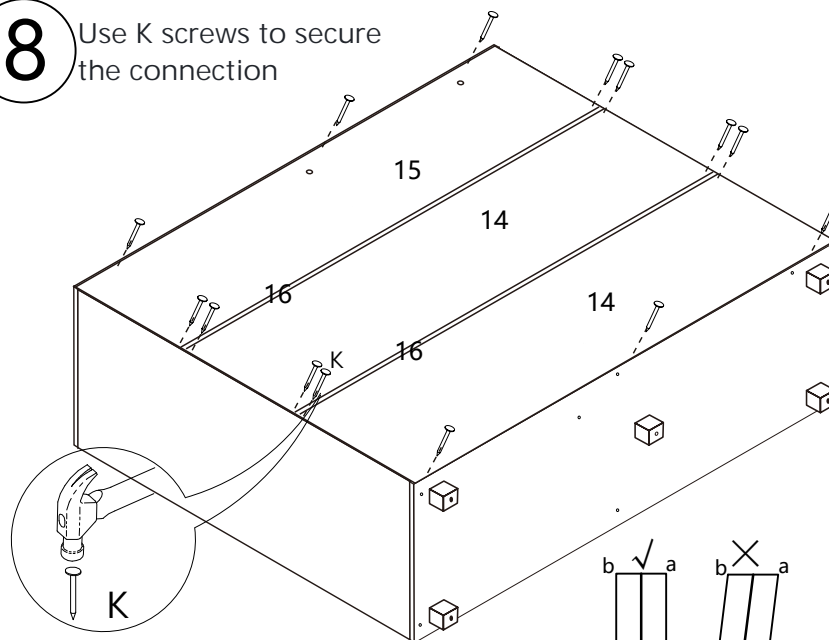
Placed the componet in the manner shown. Use F screws to secure the connection.



F 3pcs

8

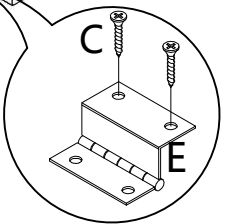
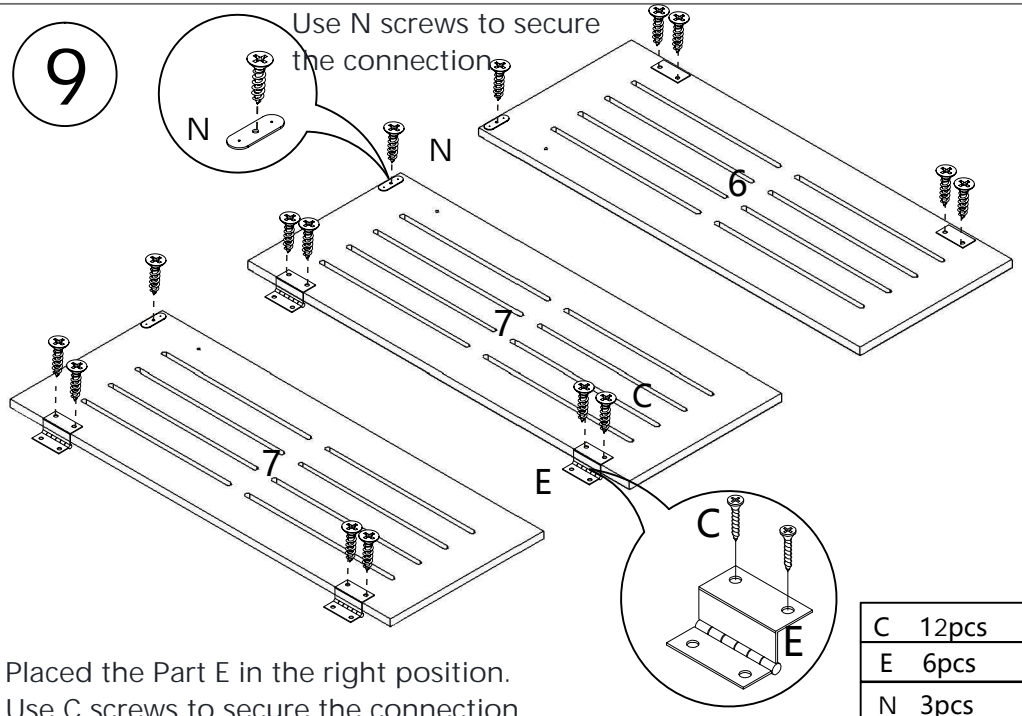
Use K screws to secure the connection



K 14pcs

9

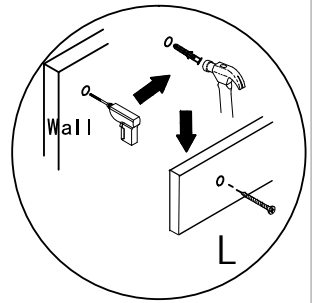
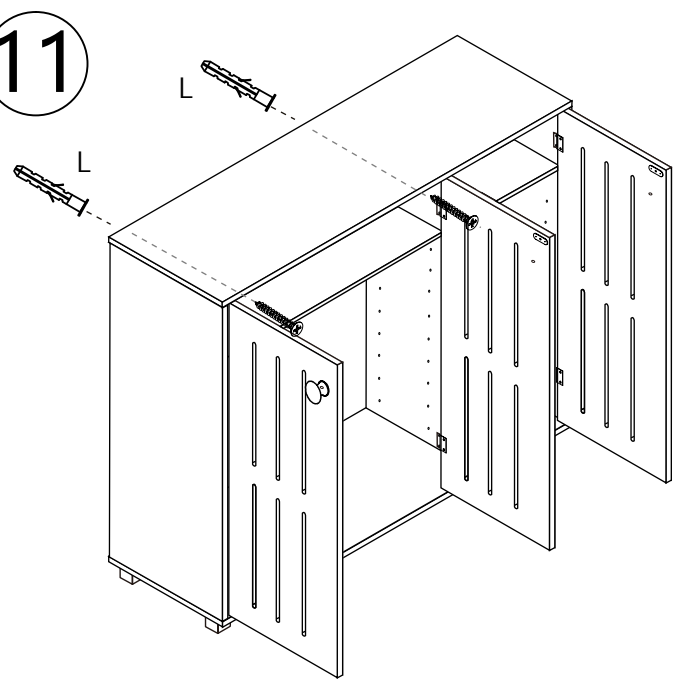
Use N screws to secure the connection



- C 12pcs
- E 6pcs
- N 3pcs

Placed the Part E in the right position. Use C screws to secure the connection.

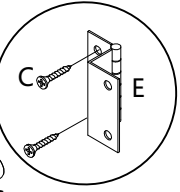
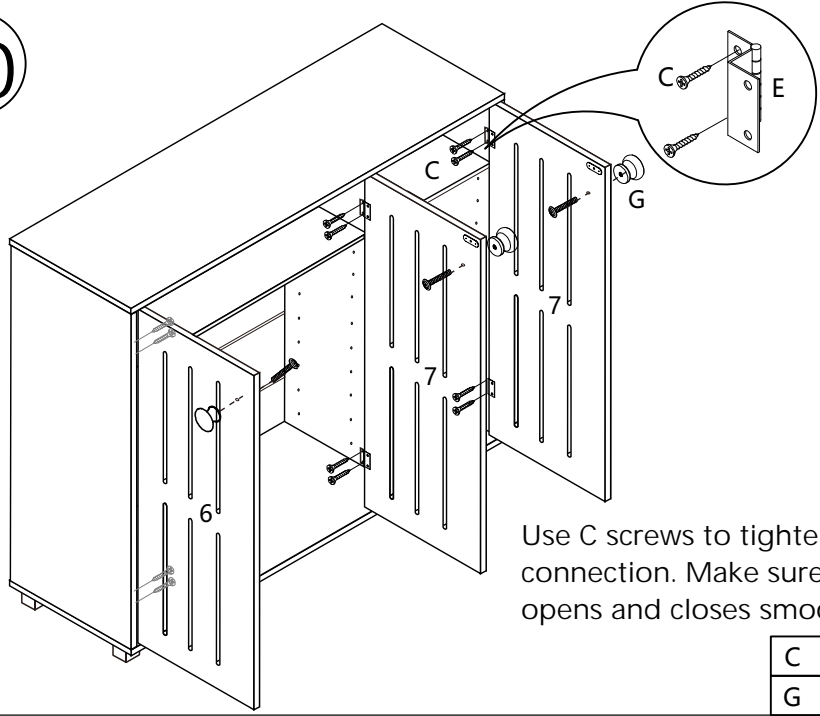
11



Anti-dumping device

- L 2pcs

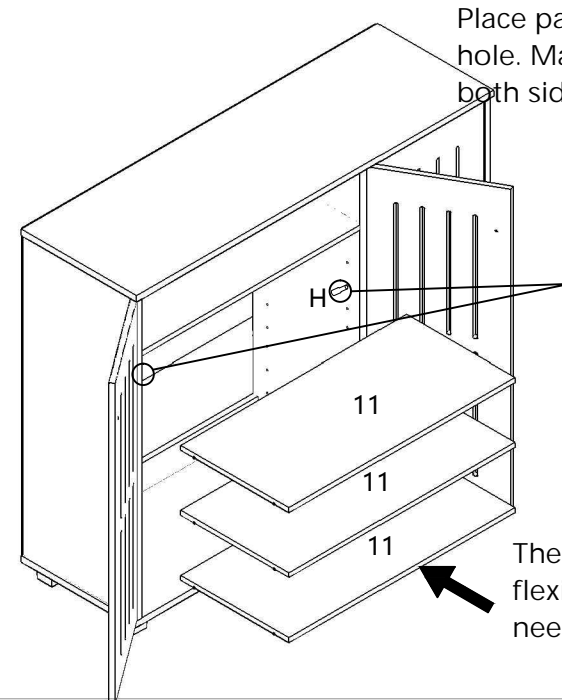
10



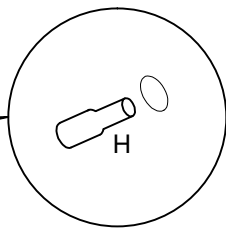
Use C screws to tighten the connection. Make sure it opens and closes smoothly

- C 12pcs
- G 3pcs

12



Place part H into the pre-drilled hole. Make sure the heights on both sides remain the same.

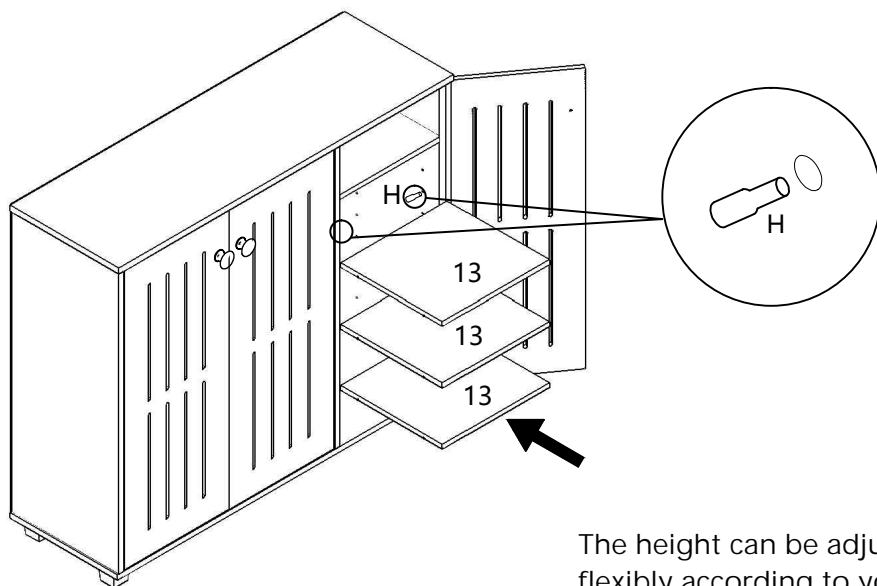


The height can be adjusted flexibly according to your needs.

- H 12pcs

13

Place part H into the pre-drilled hole. Make sure the heights on both sides remain the same.



The height can be adjusted flexibly according to your needs.

H 12pcs

14

