

S-Fold System Installation Guide

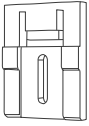
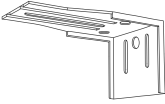

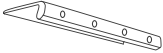
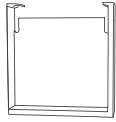
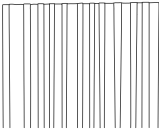
Thank you for purchasing the S-fold Curtain Drapery & Track System. Please check that all hardware and parts have been supplied. This page lists all items included in the packaging. Follow the instructions carefully, as failure to do so may present a safety risk and may void your warranty.

Warning: Some components are sharp. Keep out of reach of children. Take care not to place fingers on pointed edges. Wear covered footwear during installation.

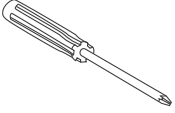



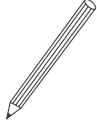
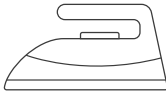
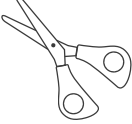
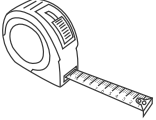

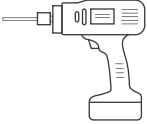

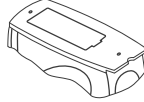
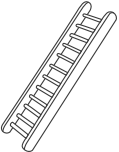
Care Information

Remove curtains regularly and carefully vacuum inside the track/s to ensure smooth operation.

Hardware (included)

 <p>Ceiling Mount 1 x per every 600mm of track</p>	 <p>Wall Mount 1 x per every 600mm of track</p>	 <p>Track 1 x track for curtain widths <1790mm 2 x tracks for curtain widths >1800mm</p>	 <p>Joiner >1800mm track only</p>	 <p>Wall Bracket Cover 1 x per every 600mm of track</p>	 <p>Curtain Fabric Panel</p>
--	---	--	---	---	--

Tools (not supplied)

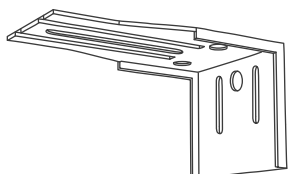
 <p>Screwdriver</p>	 <p>Screws</p>	 <p>Masonry Plugs</p>	 <p>Set Screws</p>	 <p>Pencil</p>	 <p>Iron</p>	 <p>Scissors</p>
 <p>Tape Measure</p>	 <p>2mm Drill Bit</p>	 <p>Drill</p>	 <p>Level</p>	 <p>Stud Finder</p>	 <p>Ladder</p>	

SECTION 1: S-Fold Curtain Track Installation Instructions

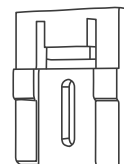
Warning: Check that the material you are securing your curtain track into can support the combined weight of the curtains and track. Fix brackets into studs, solid timber, or masonry - brick, concrete, stone, cement - where possible, or use suitable wall anchors for plasterboard. A stud finder should be used to help locate wall studs.

1. Choose wall mount or ceiling mount

The S-fold track system includes pre-assembled wall mount brackets. Choose your preferred option. To access the ceiling mount, simply unscrew the ceiling bracket from the metal wall bracket.



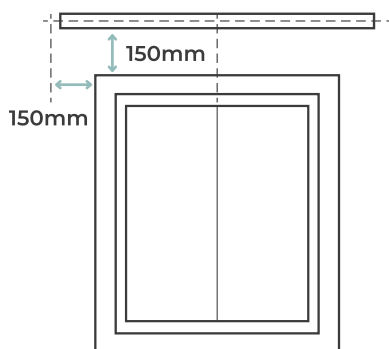
Wall mount



Ceiling mount

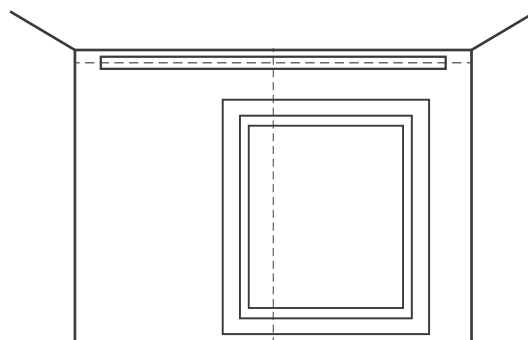
2. Position your track

There are two options for positioning; choose one and find the centre.



Centre of window

If the window is in the centre of the wall, this will be your preferred method. We recommend that the curtain track overhangs the window by a minimum of 150mm.

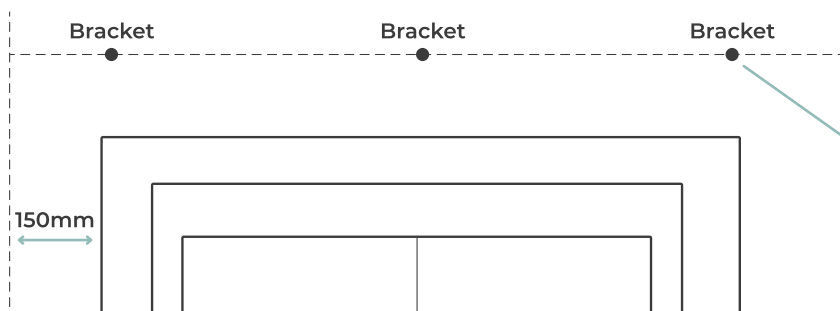


Centred to wall

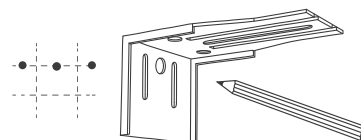
This is a good option if the window is off-centre or if you want the S-fold curtain to cover both the window and part of the wall.

3. Position your brackets

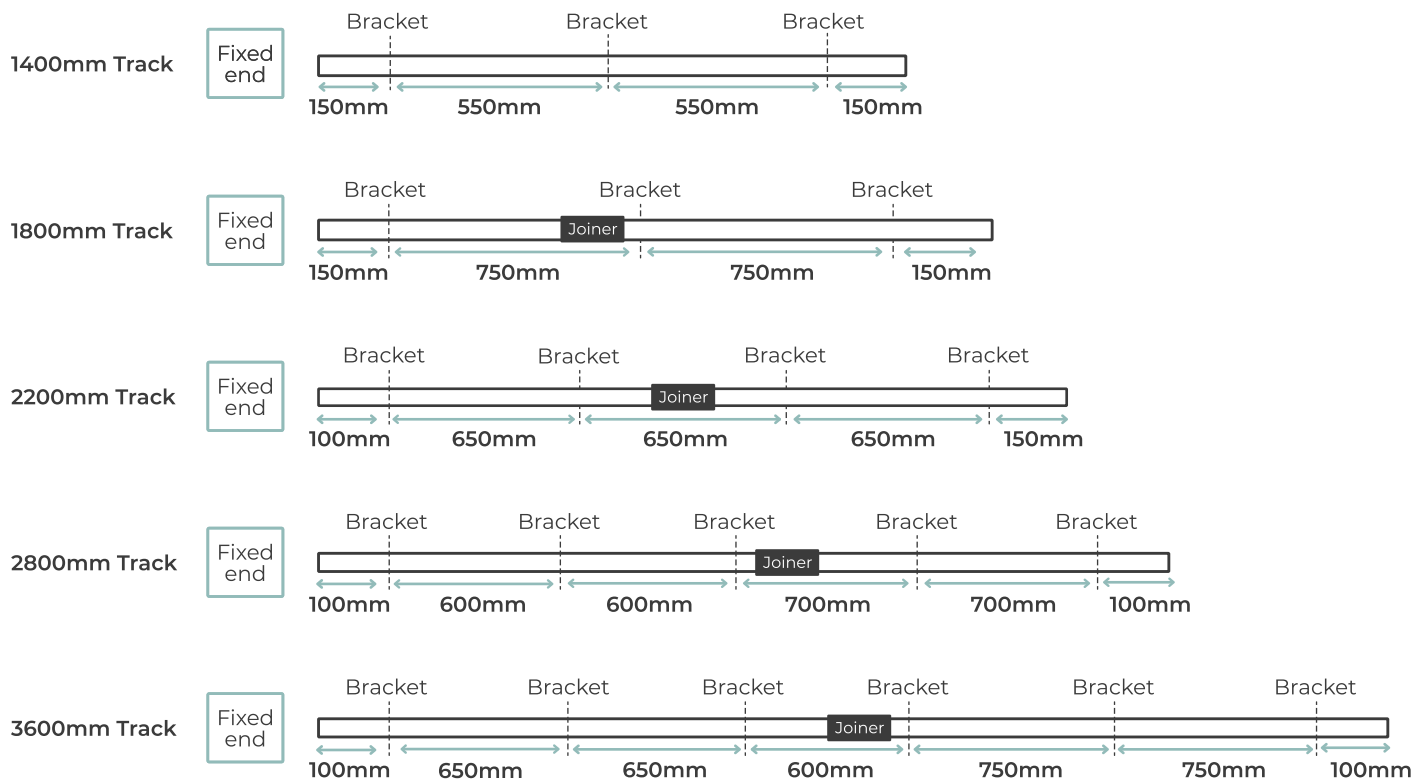
Beginning from the outer ends of the track, position the first bracket 100mm or 150mm in from the end. The remaining brackets should be spaced as recommended in the chart below to ensure the curtain weight is evenly supported.



Mark the drill holes



Recommended bracket positions:

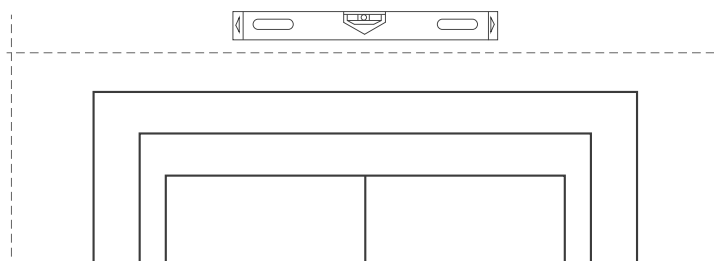


4. Drill your pilot holes

The S-fold track must be level to operate smoothly. Before drilling, use a stud finder to locate timber supports in the wall or ceiling. Adjust bracket positions if needed to ensure they are fixed into secure points.

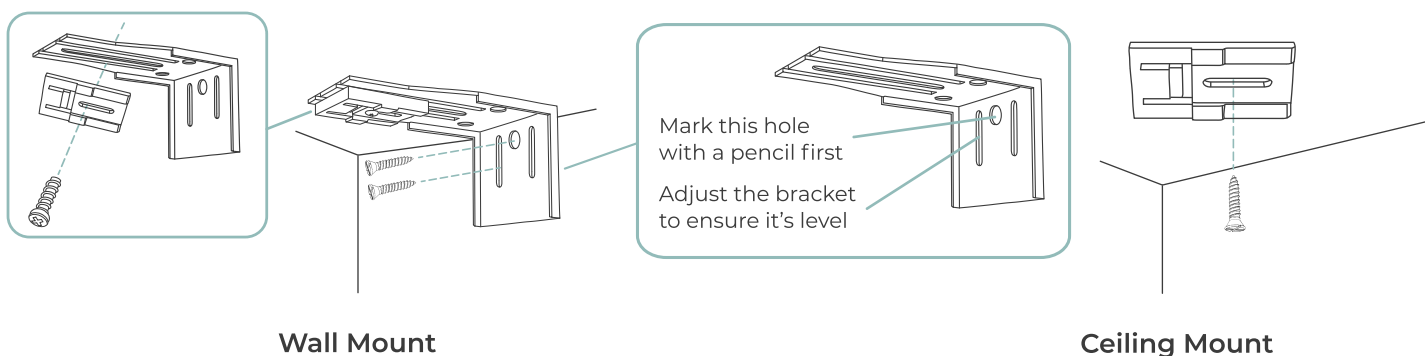
TIP: Pilot holes are smaller than the screw diameter

This allows screws to be inserted easily while still ensuring a secure grip in the timber. Drill tight-fitting holes for wall plugs where required. Wall plugs are not needed for timber walls or window frames.



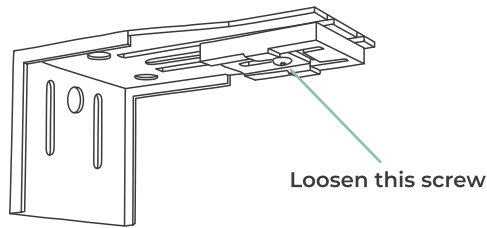
5. Secure your brackets

Use a Phillips head screwdriver to attach the brackets to the wall or ceiling.

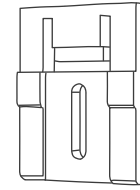


6. Installing the track into the brackets

Loosen the screw securing the plastic track holder. For tracks 1800mm or longer, refer to step 6a for instructions on using the track joiner.

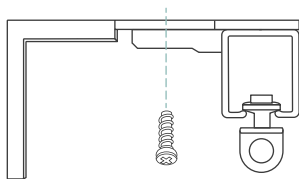


Wall Mount



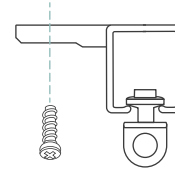
Ceiling Mount

Gently push the plastic track holder straight into the track until it clicks into place. Repeat for all remaining brackets, ensuring the track is securely fitted into each one.



Wall Mount

Side profile
of bracket



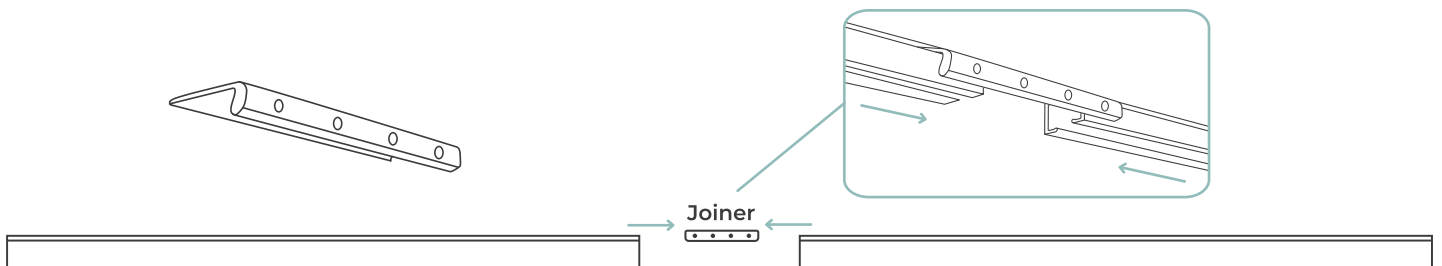
Ceiling Mount

6a. Attaching the S-Fold Track Joiner

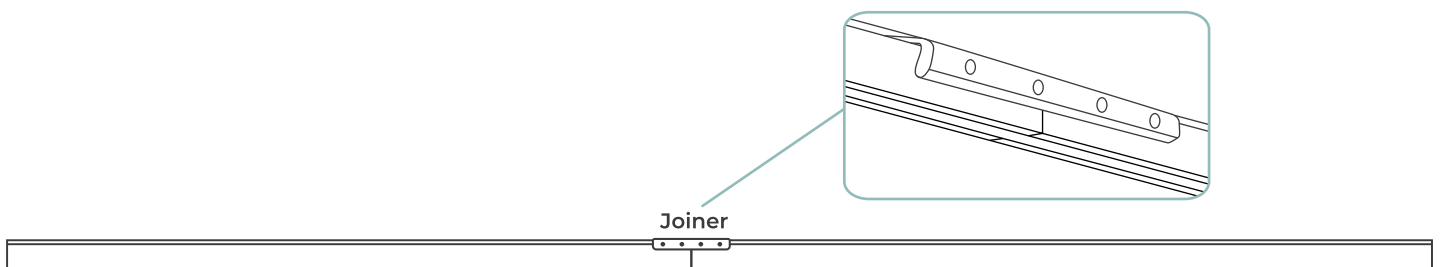
If you have ordered a width longer than 1800mm, the S-fold track will consist of two sections with one joiner included in the pack. Complete steps 1-5 as instructed.

At step 6, connect the two track sections using the joiner. With the joiner screws facing the wall, push the joiner firmly into the rear groove of one track (this is the same slot where the brackets clip in).

Repeat for the second track, ensuring both sections are aligned tightly to minimise any gap. Position the joiner so it's centred evenly between both track lengths, then tighten the grub screws to secure the connection.



Connect the 2 tracks together



Your S-fold track is now ready for curtains

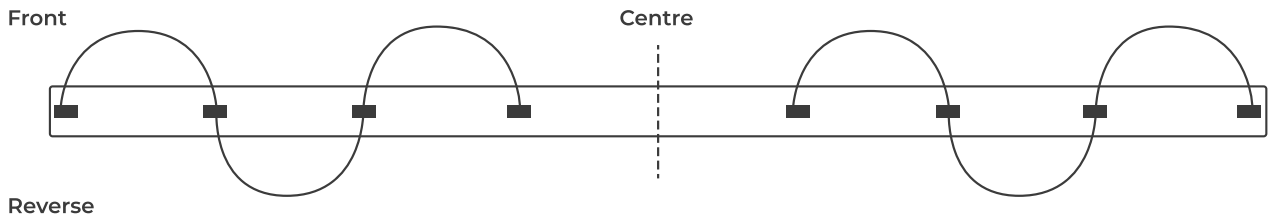
SECTION 2: S-Fold Sheer & Blockout Curtain Installation Instructions

Your S-fold track system should now be installed following the instructions above. Take time to check that all screws are securely tightened and all components are correctly fitted.

1. Creating the perfect curtain folds

Each curtain fold must have two sides. Your S-fold curtain track may include extra curtain hooks for installation and adjustment.

Top view showing curtain folds



2. Hanging your curtains

Two people are recommended for installation - one to hold the curtain, and one to attach the hooks to the carriers. Ensure the fabric side of the curtain faces into the room. For each curtain, start at the fixed end of the track and work towards the centre. Insert the pointed end of each curtain hook through the hole in the S-fold track carrier, ensuring the pointy-end of the hook points down once secured. Continue along the track until all hooks are attached.

3. Adjust the curtain folds

Starting at one end, adjust each fold so the curtain forms an even, continuous wave pattern along its full length.

