

Assembly Instructions

110110_TM0014 - Christopher Side Table

CARE INSTRUCTIONS:

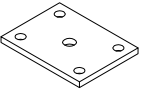




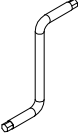
WIPE CLEAN WITH A SOFT DAMP CLOTH. DO NOT USE ABRASIVE MATERIAL AND SOLVENTS. KEEP AWAY FROM WATER AND DIRECT SUNLIGHT. CHECK AND TIGHTEN ALL PARTS REGULARLY. ENSURE PARTS ARE PUSHED TOGETHER SECURELY. FOR INDOOR USE ONLY.

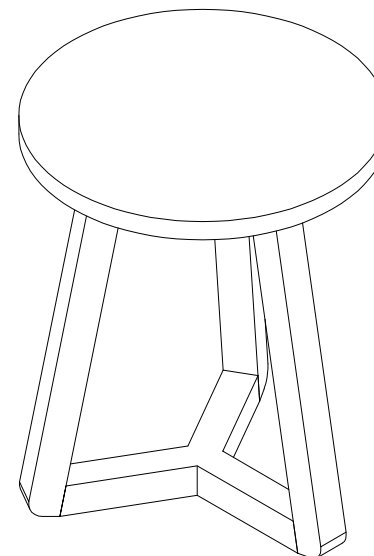
WARNING:

RISK OF TIPPING OVER. DO NOT PLACE FEET OR HEAVY OBJECTS ON THE EDGE OF THE TABLE. DO NOT SIT ON THE PRODUCT. USE ONLY ON A FLAT SURFACE. DO NOT USE UNTIL ALL SCREWS, BOLTS AND KNOBS ARE FIRMLY SECURED. THIS PRODUCT CONTAINS SMALL PARTS AND SHARP POINTS, KEEP AWAY FROM CHILDREN AND BABIES. ADULT ASSEMBLY REQUIRED. FAILURE TO FOLLOW THESE WARNINGS COULD RESULT IN SERIOUS INJURY.

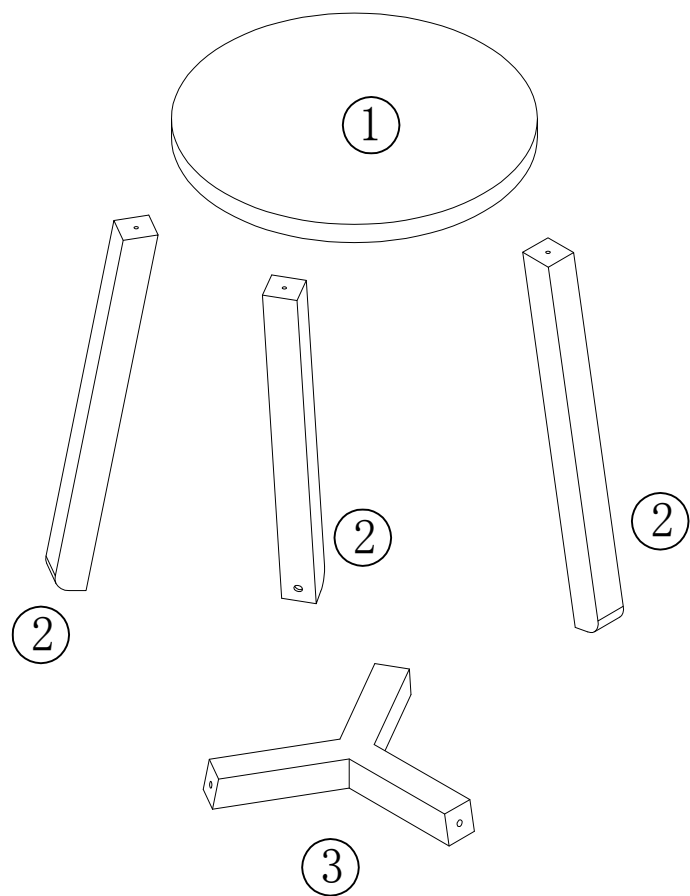
MAXIMUM SAFE LOAD: 10kg

Components list

					
A	3PCS	B	12PCS	C	3PCS
					
D	3PCS	E	3PCS	F	1PCS

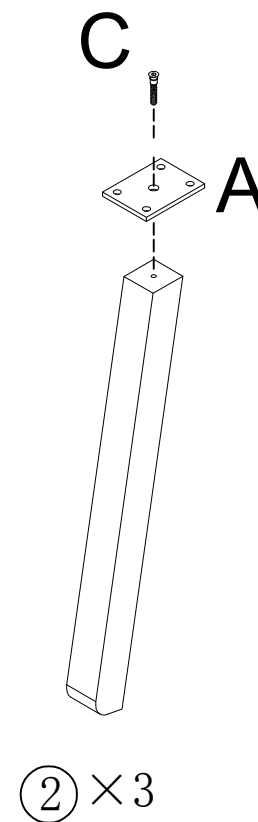


STEP 1



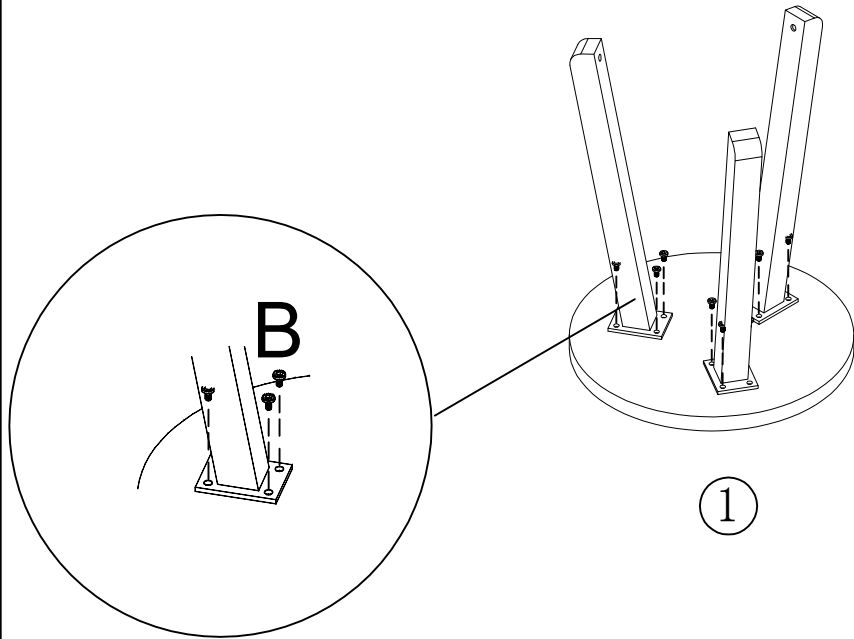
STEP 2

$A \times 3$
$C \times 3$



STEP 3

B × 12

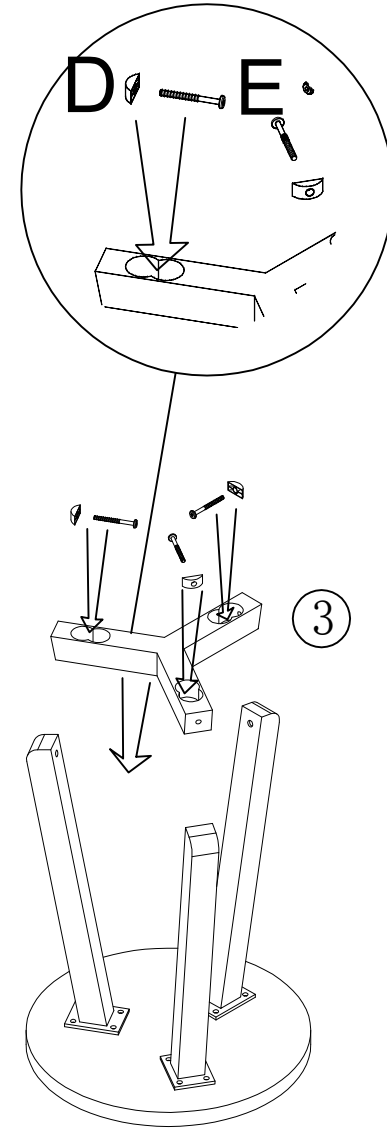


1

STEP 4

D × 3

E × 3



3