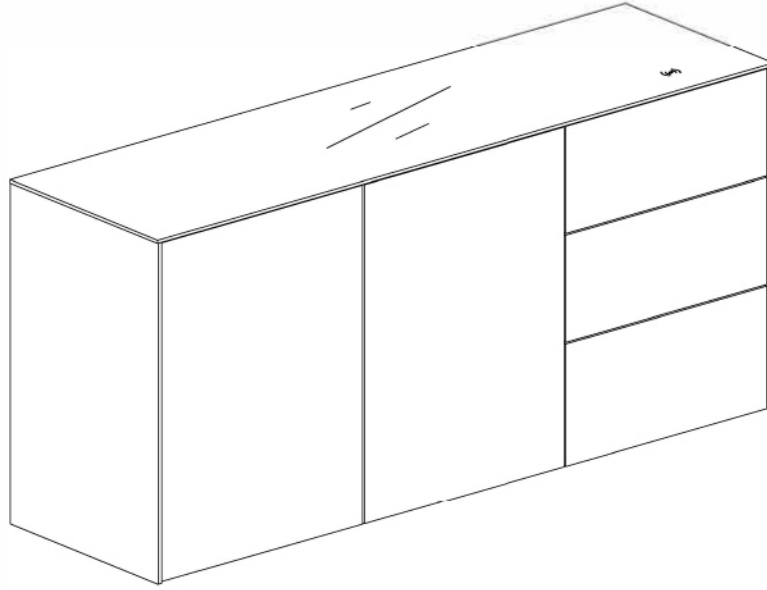






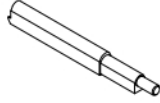
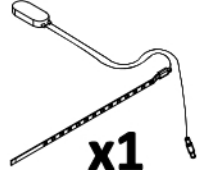
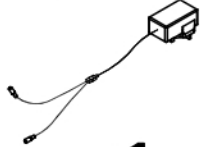












# Intel LED Sideboard Wireless Charging Assembly Instructions



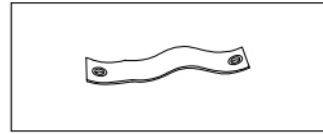
# HARDWARE

0 5 10 15 20 25 30 35 40 45 50 55 60 65 70 75 80 85 90 95 100 105 110 mm

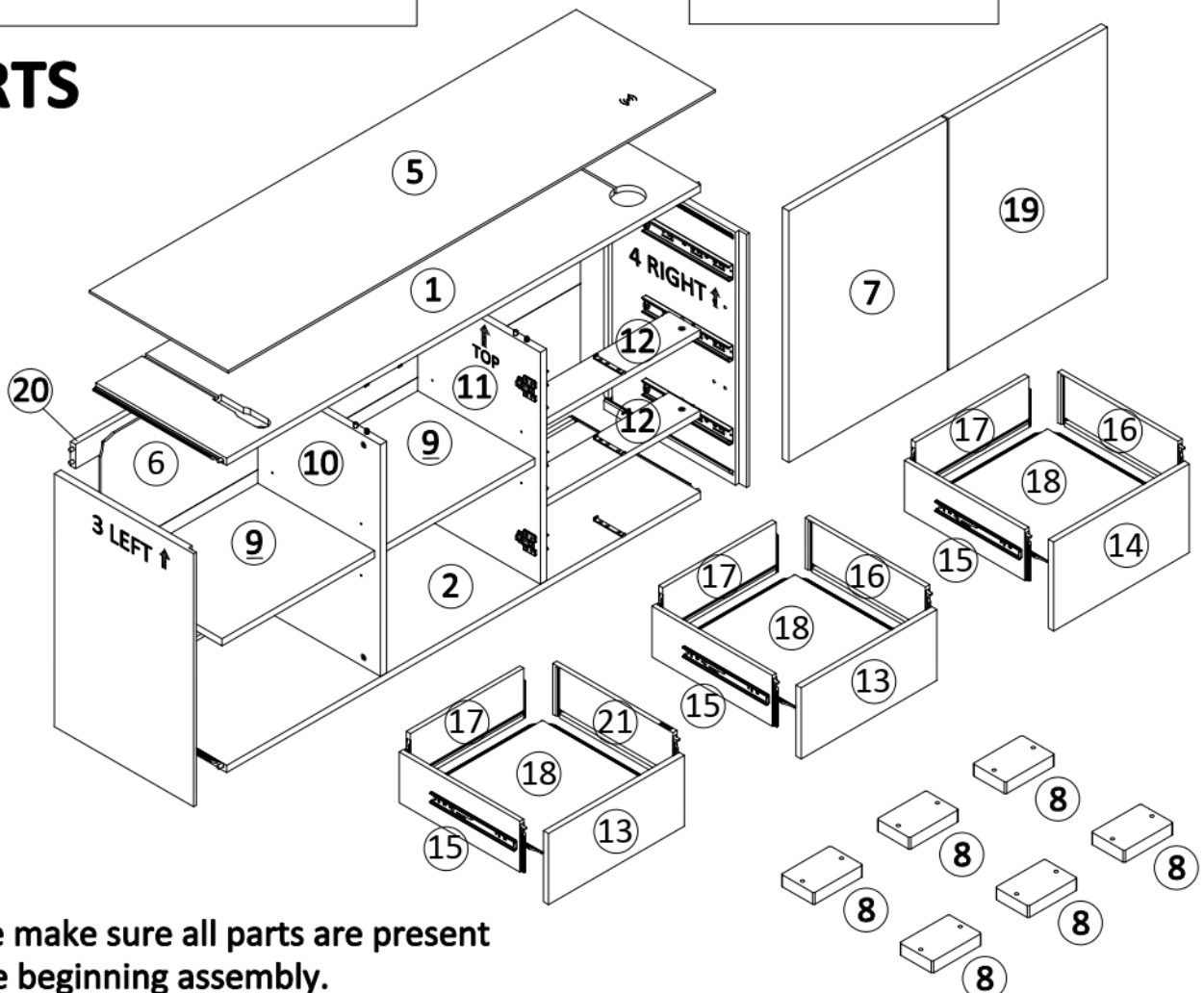
<b>A</b> M3*12  <b>x2</b>	<b>B</b> M3.5*14  <b>x16</b>	<b>C</b>  <b>x2</b>	<b>D</b> M6*30  <b>x12</b>	<b>E</b>  <b>x5</b>	<b>F</b>  <b>x1</b>	<b>G</b>  <b>x1</b>
<b>H</b>  <b>x2</b>	<b>I</b>  <b>x2</b>	<b>J</b>  <b>x4</b>	<b>K</b>  <b>x1</b>	<b>L</b>  <b>x8</b>	<b>M</b>  <b>x2</b>	<b>N</b>  <b>x4</b>
<b>O</b>  <b>x8</b>	<b>P</b> M3.5*18  <b>x4</b>	<b>Z</b>  <b>x1</b>				

## Tools Required-Not Supplied

## Pre-fitted



# PARTS

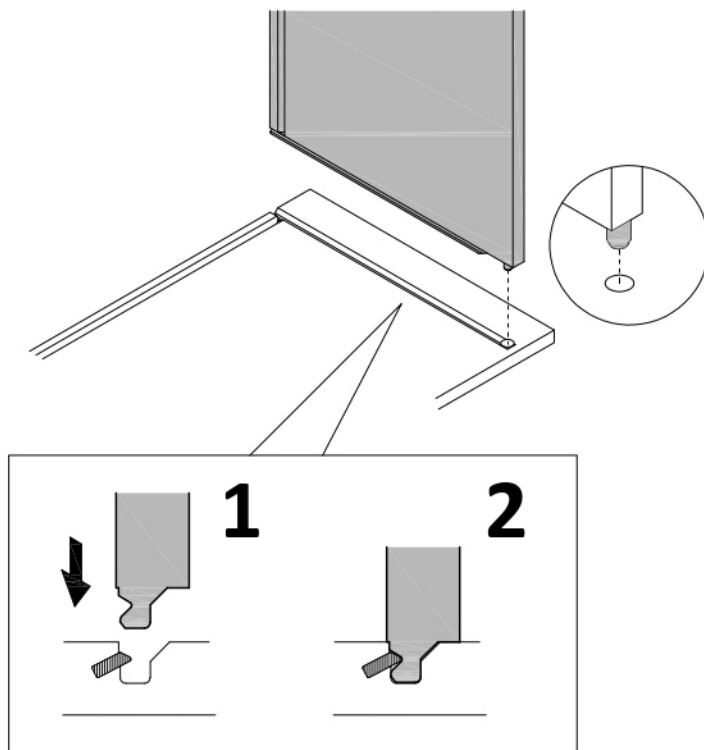


Please make sure all parts are present before beginning assembly.

# GUIDE

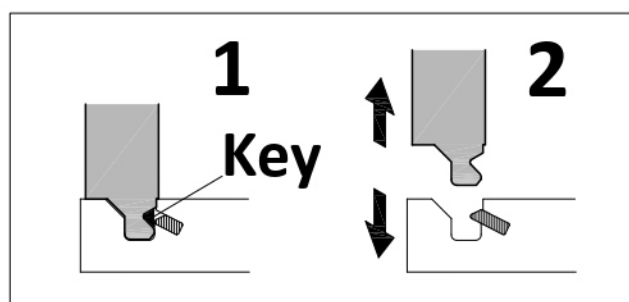
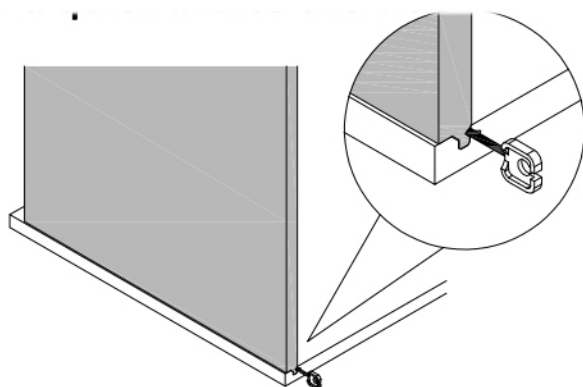
## Assembly Instructions

Ensure dowel is aligned with hole before pushing panel into groove



## Disassembly Instructions

Unlock the cam fixing (top and bottom) of panel 10 and panel 11  
Use Disassemble rod 'M' and gently slide in to the small triangle as shown below marked 'KEY'



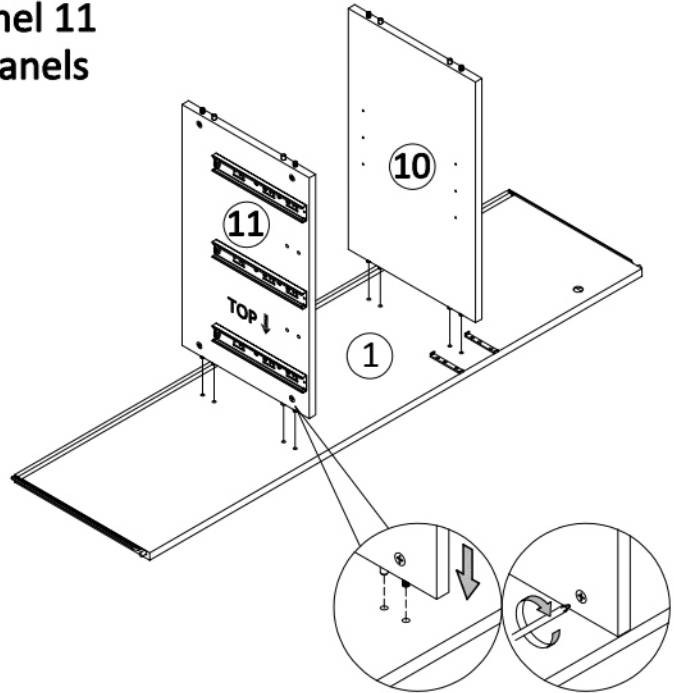
**1** **NOTE :** Panels should sit comfortably in position, do not force them, if they do not fit comfortably, they are likely to be UPSIDE down

Fitting Cam & Dowel Panel 10 and panel 11

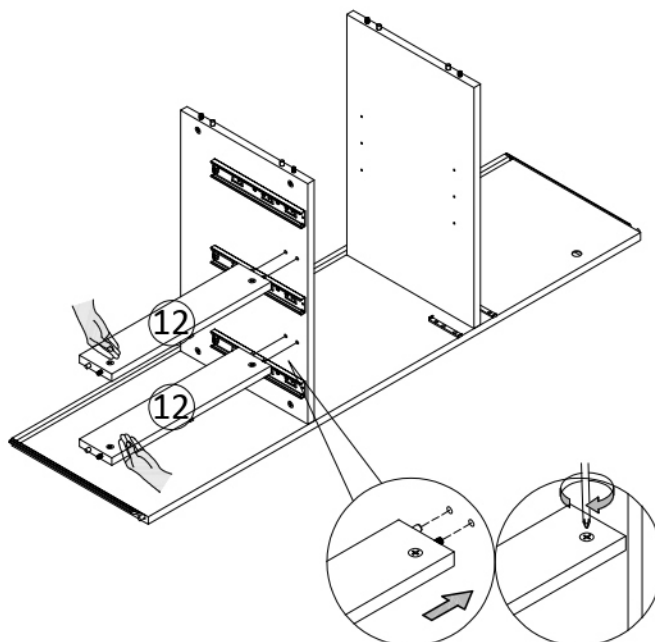
ENSURE Panel 10 and panel 11 has the pre-fitted hinge brackets both sides to the panel to allow the door to fit correctly.

**IMPORTANT**

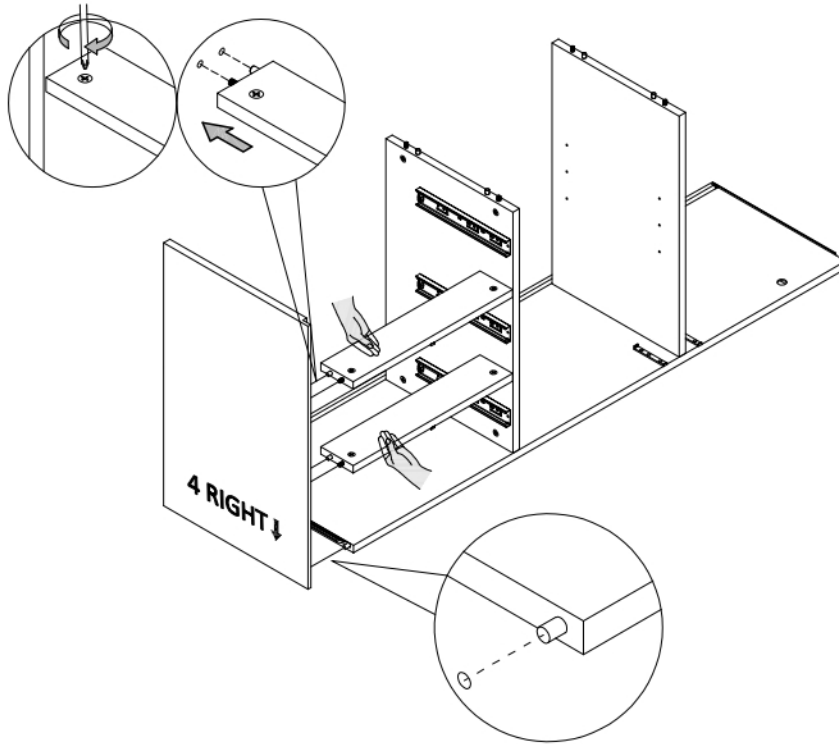
Please make sure panel 10 and panel 11 is positioned the correct way up. Panels to sit arrow to arrow.



**2**



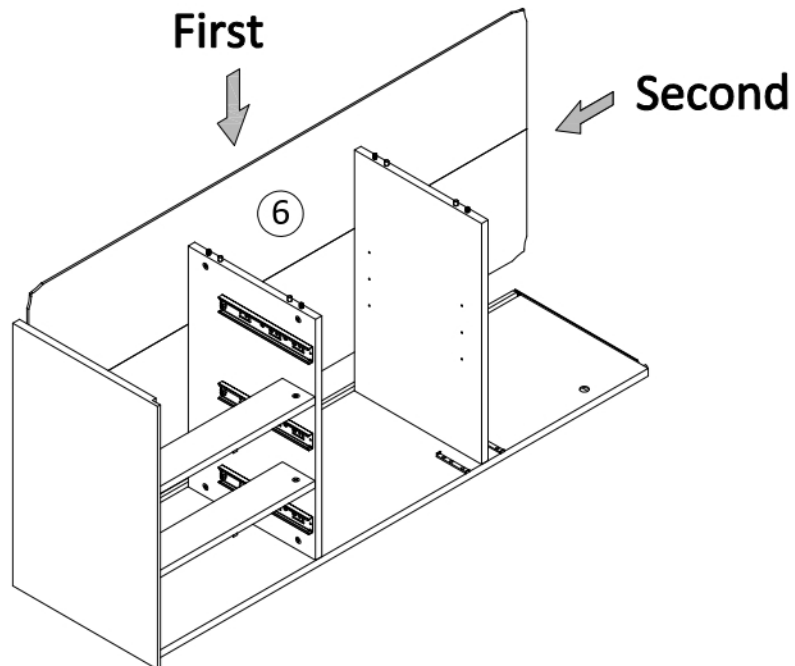
# 3



**\* Locate Dowel position first as a guide**

# 4

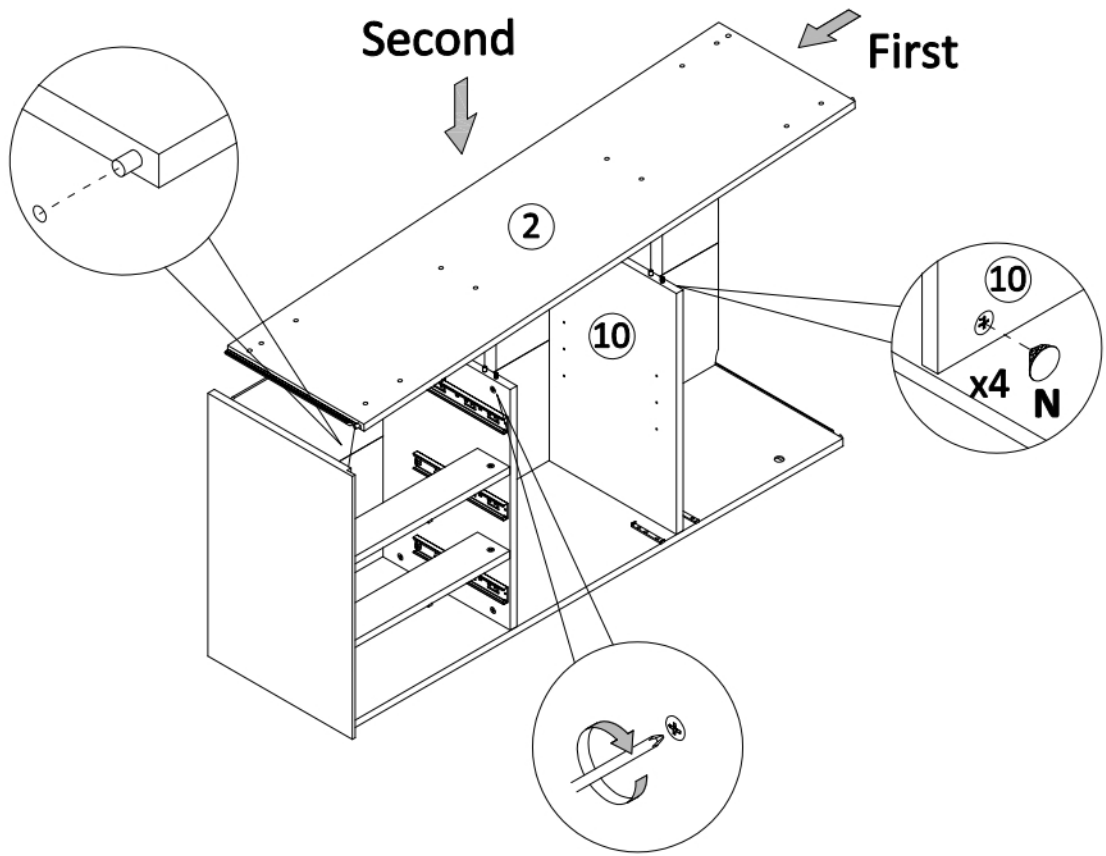
**\*Groove on back panel must be on inside face.  
Ensure the panel sits in place with no gaps**



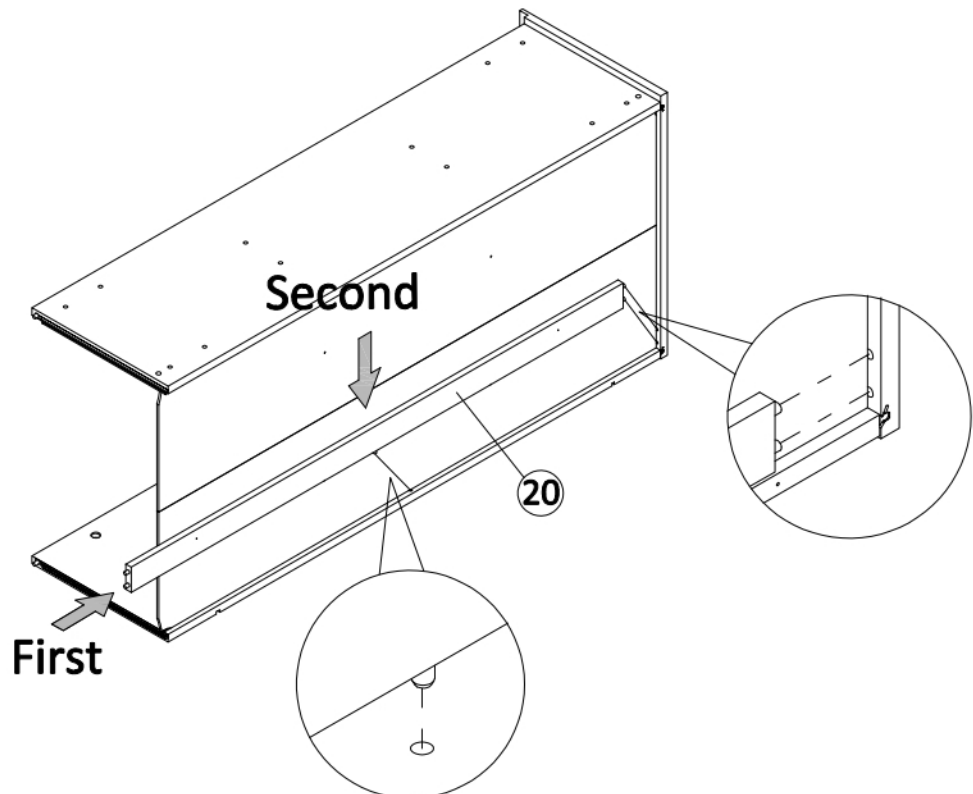
# 5

Locate dowel first as a guide, and press panel 2 down into place.

After bottom panel is fitted, tighten the cam.

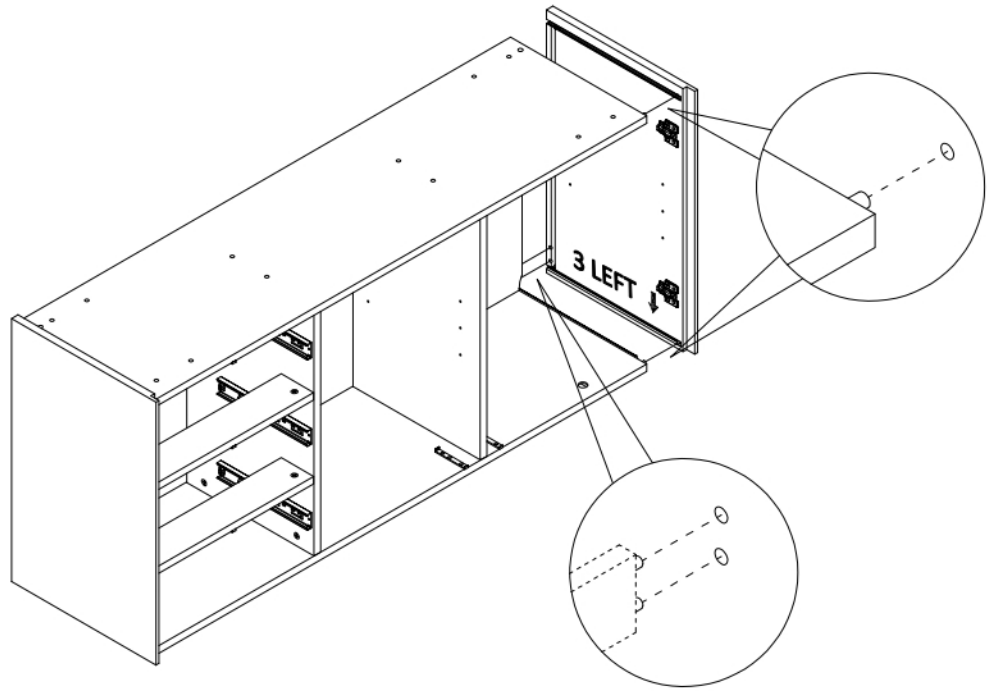


# 6

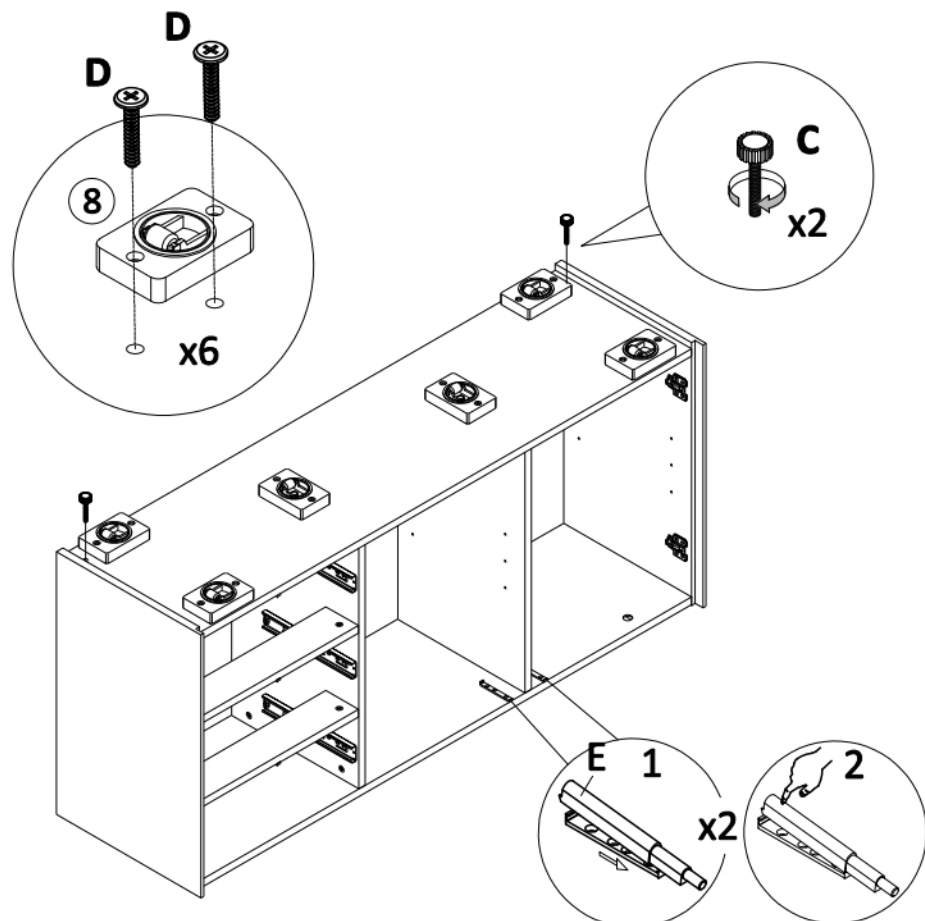


# 7

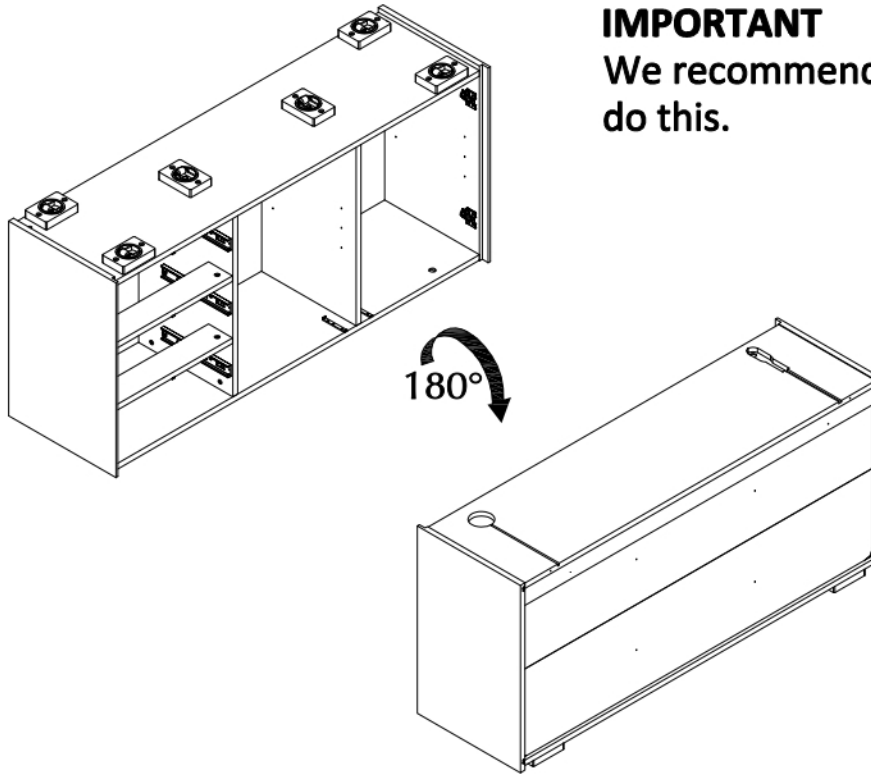
\* Locate Dowel position first as a guide



# 8



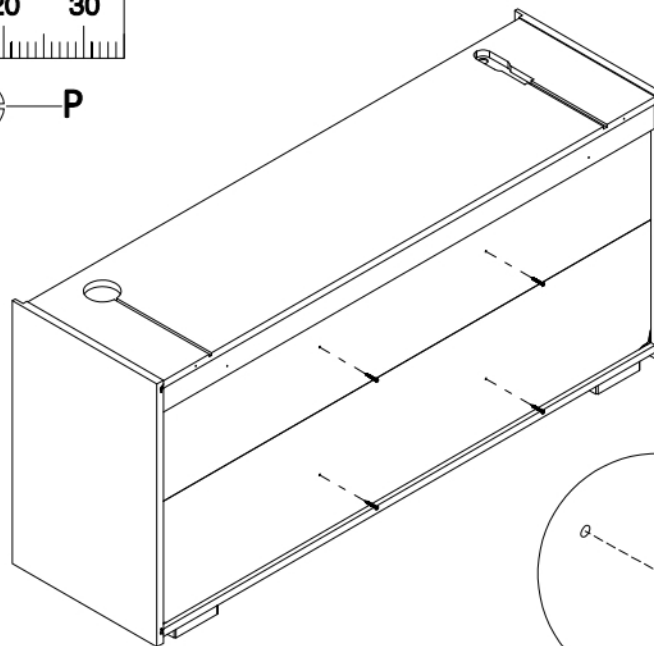
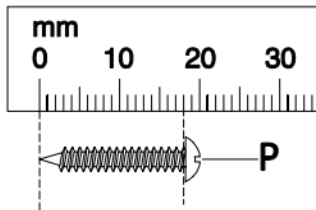
# 9



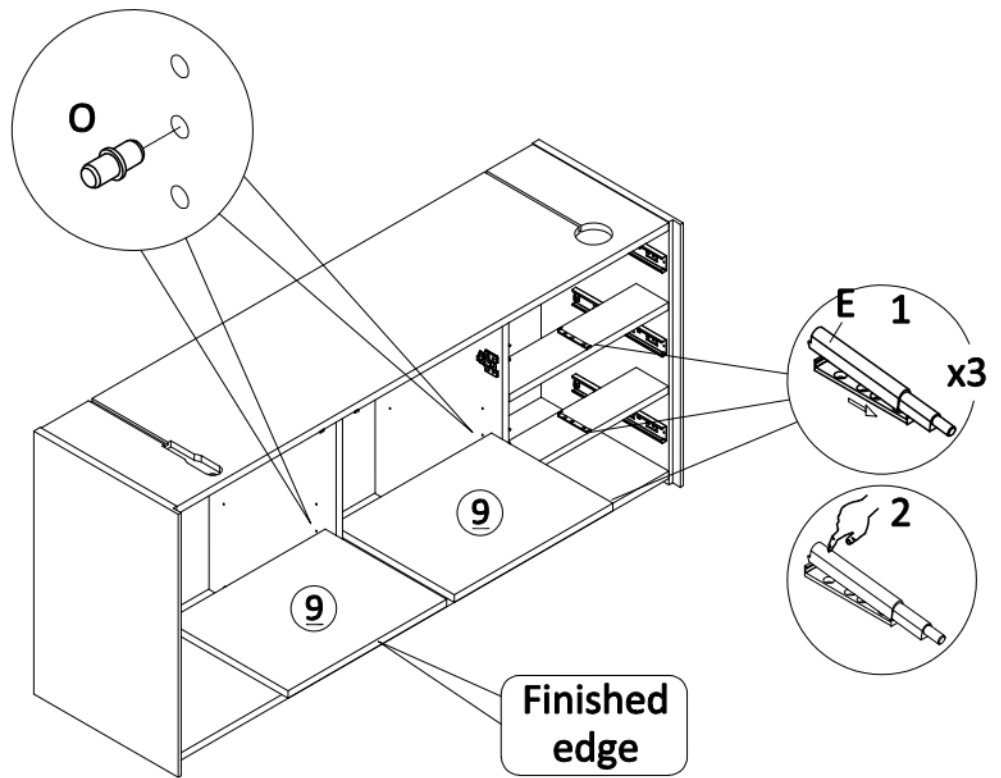
**IMPORTANT**

We recommend that two people do this.

# 10

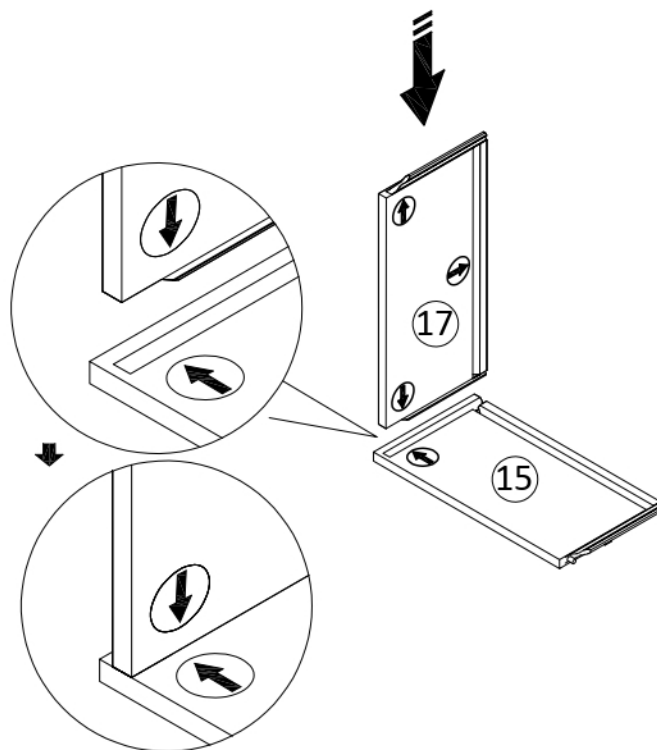


# 11



# 12

x3

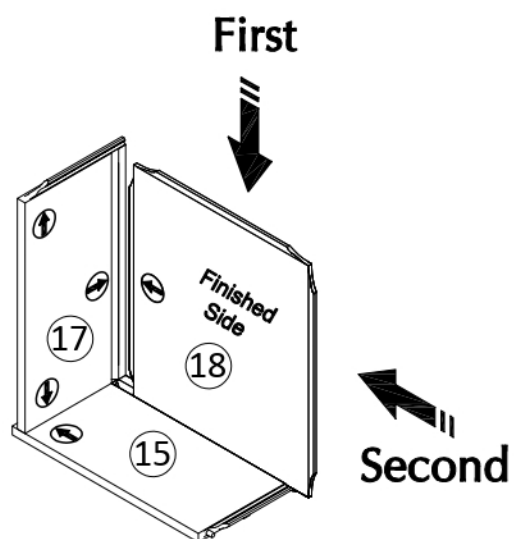


# 13

**\*Groove on back panel must be on inside face.**

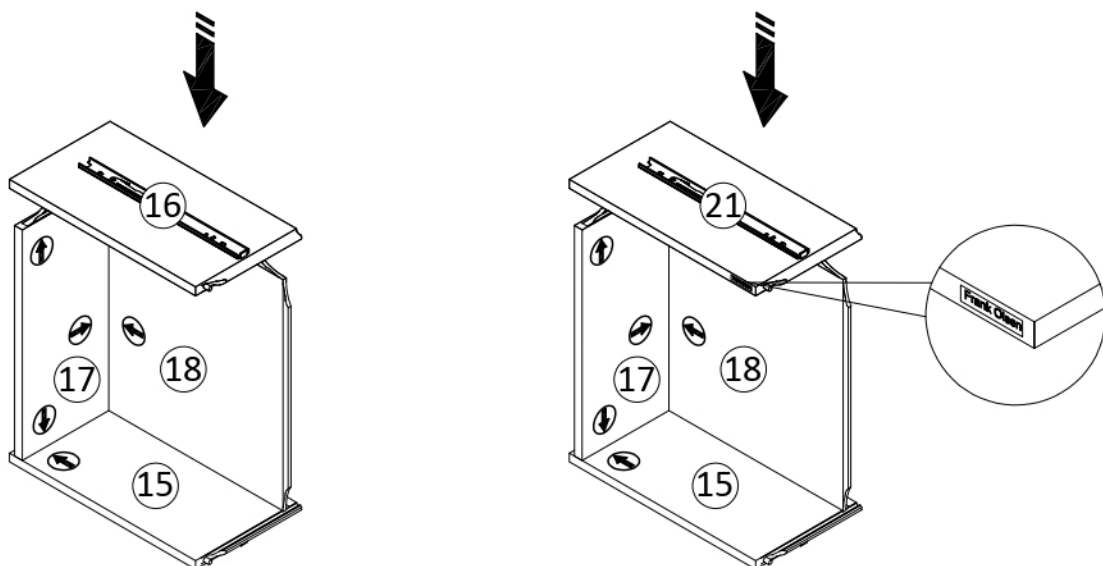
Ensure the panel sits in place with no gaps

x3

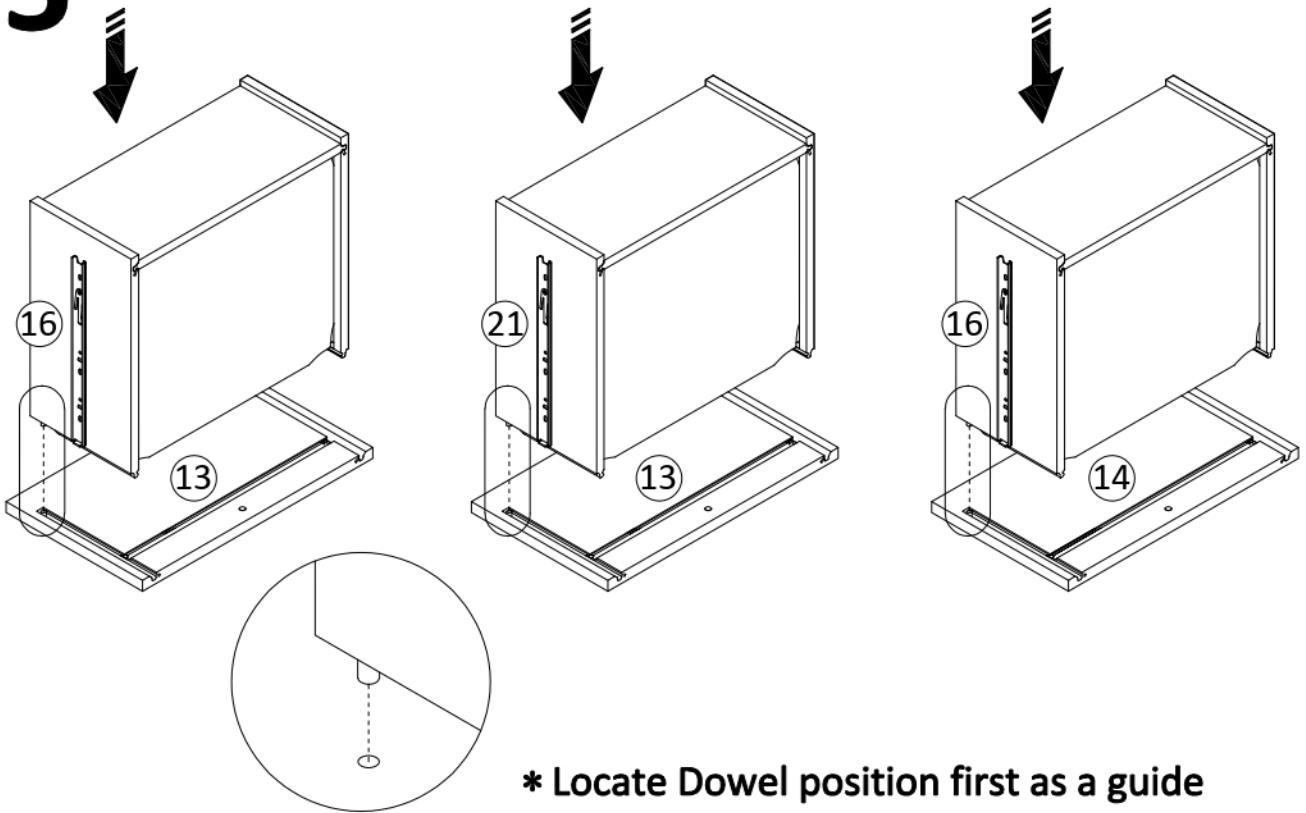


# 14

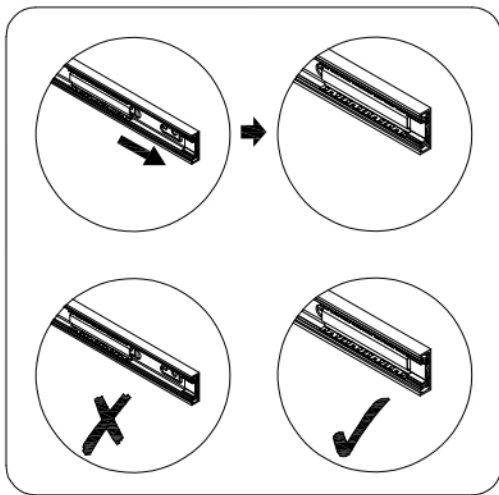
x2



# 15

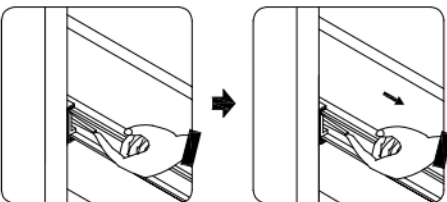


# 16

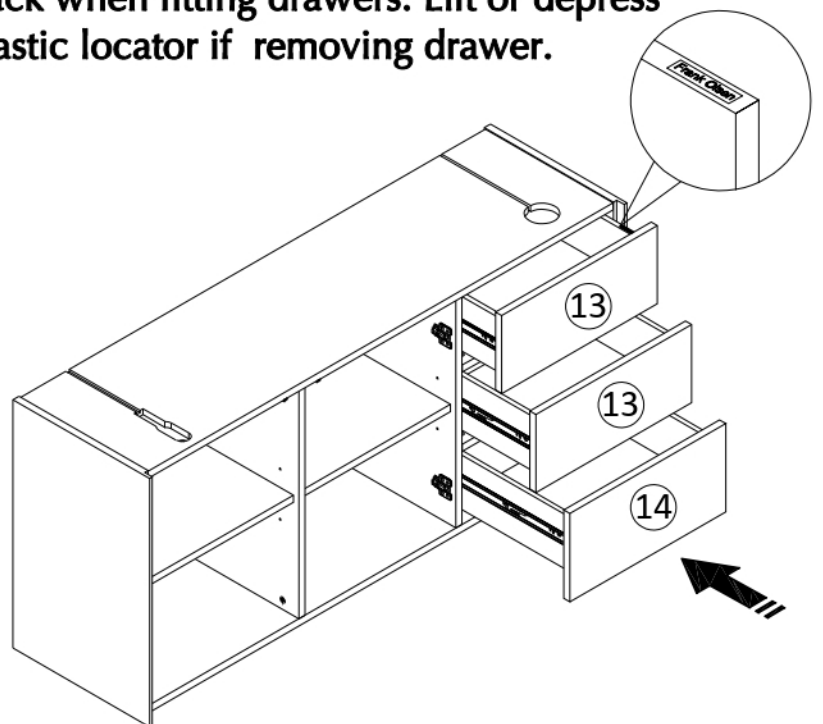
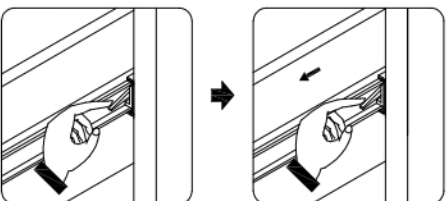


Pull slide to the front of the drawer runner track when fitting drawers. Lift or depress plastic locator if removing drawer.

Left side

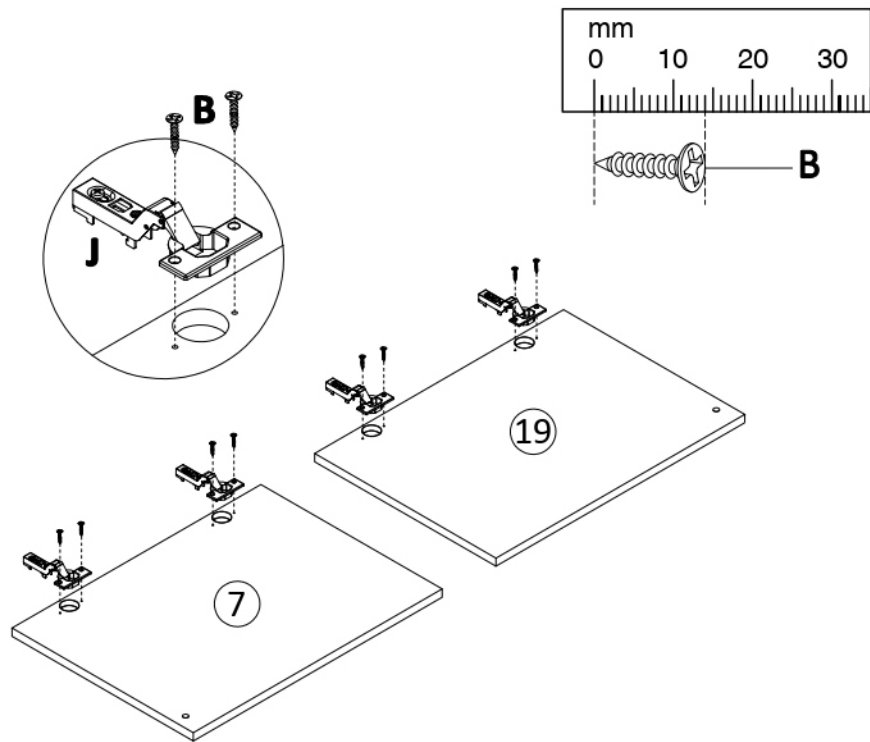


Right side

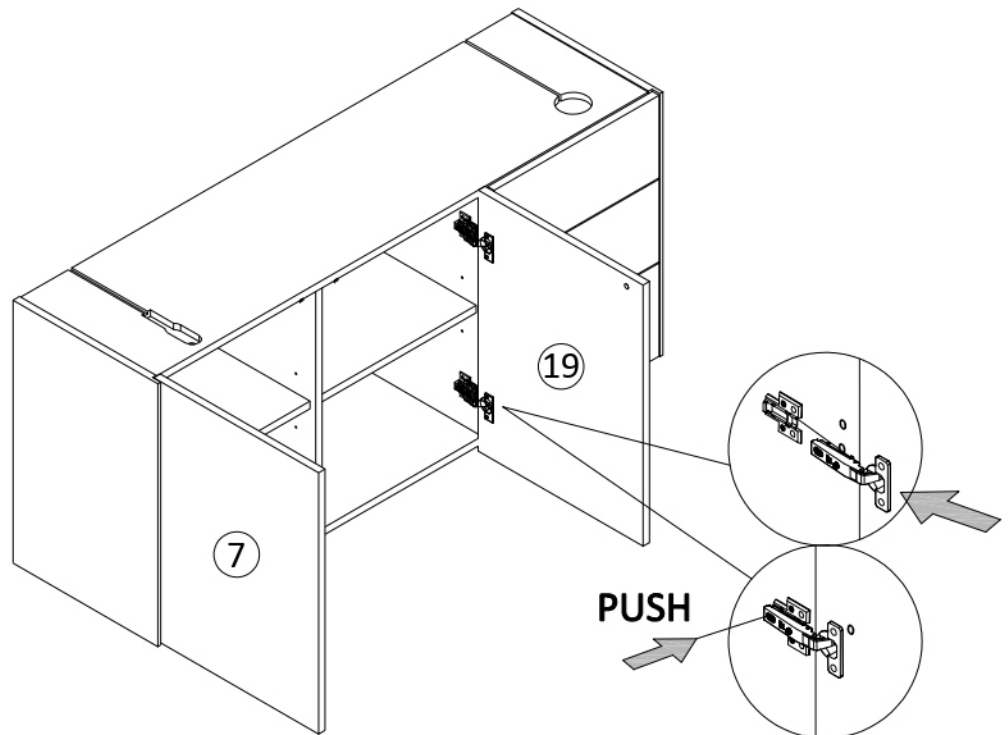


Open and close each drawer fully 5 times to make the runners run freely .

# 17

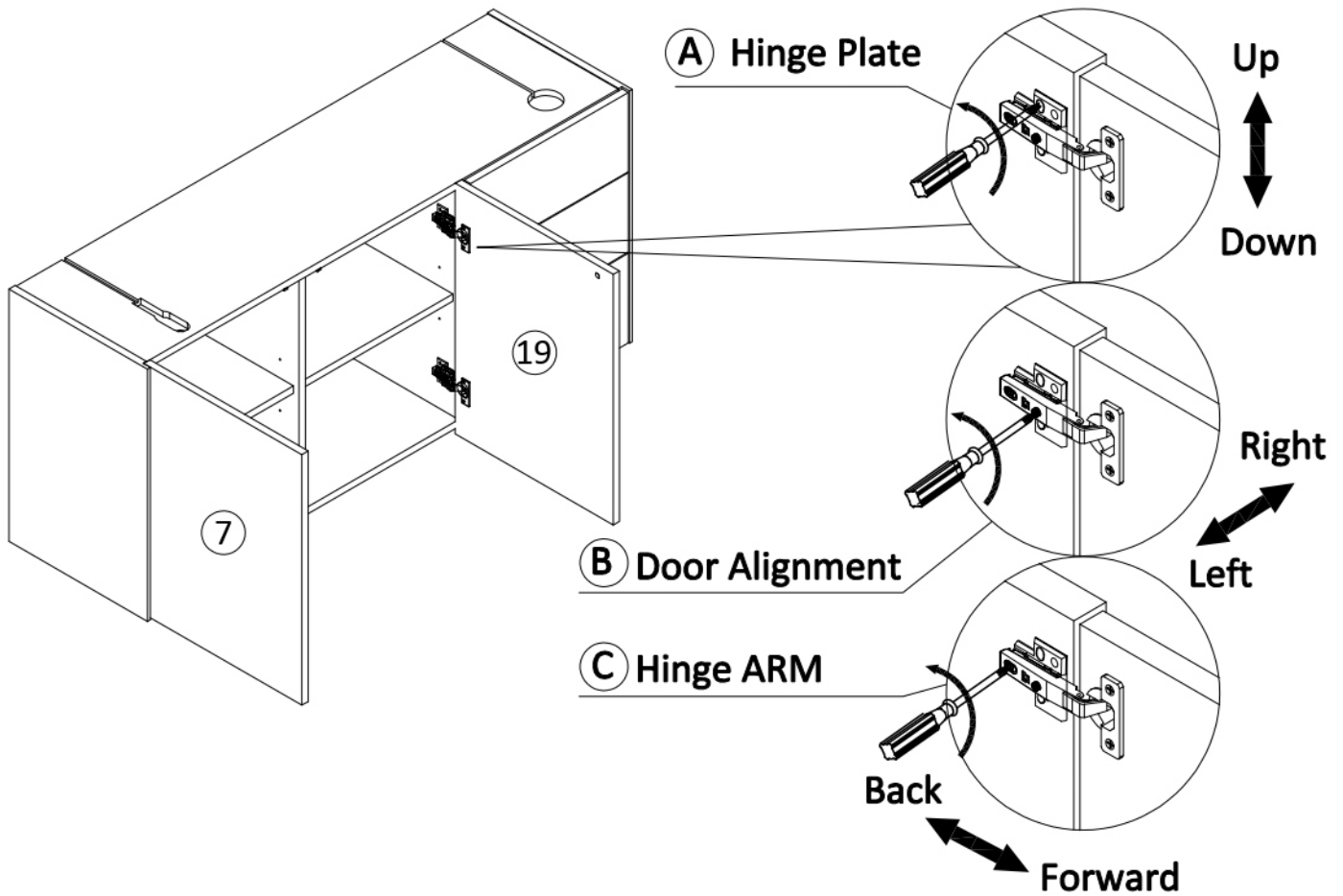


# 18



# 19

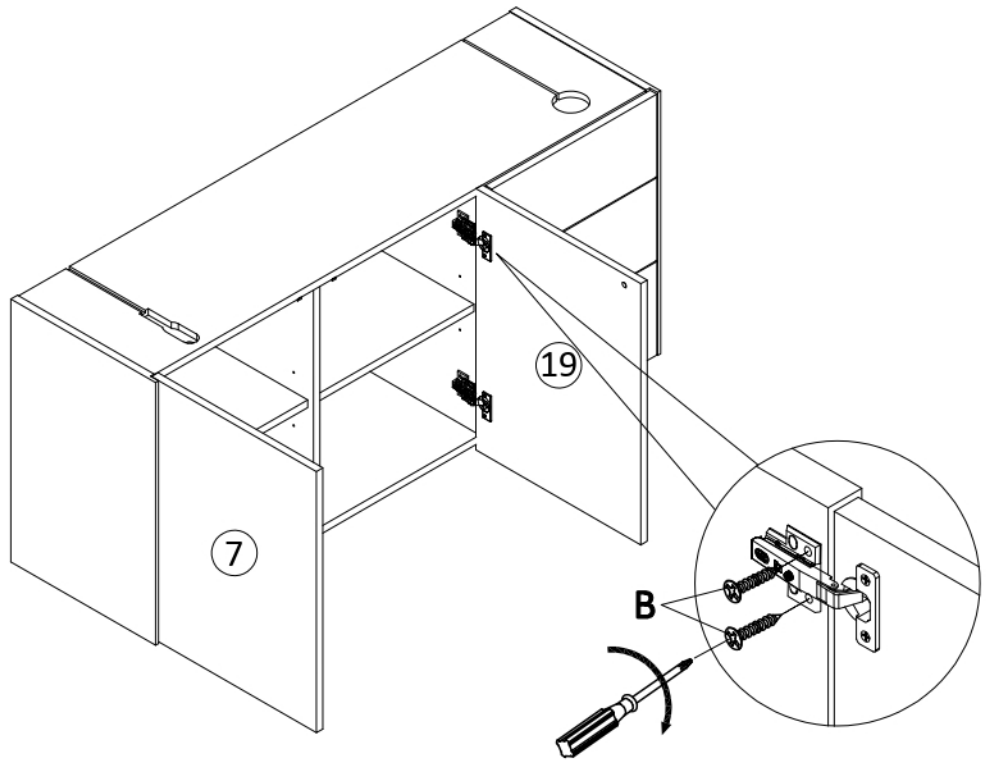
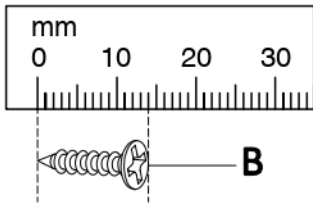
To get the doors aligned perfectly, the hinges can be adjusted in three places.



## Top tips for door alignment

1. Align and adjust the unit doors in the room and position the unit will be placed in in your home.
2. Ensure the floor is even.
3. Put on all four doors before starting to align them.
4. Make sure the pre-fitted door plates on the panels are tight but not overtightened.

# 20

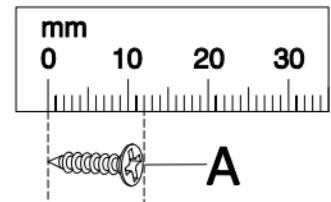
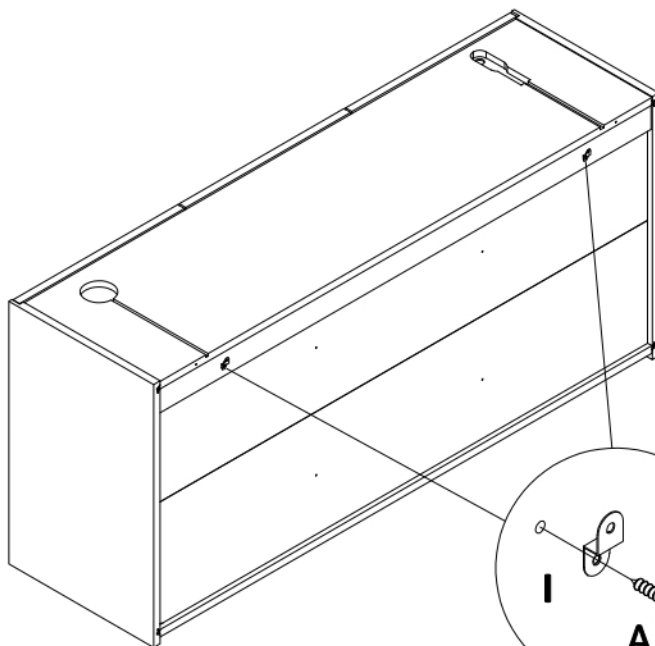


Please note, you may have difficulty aligning the doors if the floor is uneven. Please ensure the cabinet is as level as possible.

Once doors are aligned, use extra screws to strengthen the hinge, these holes are not pre-drilled

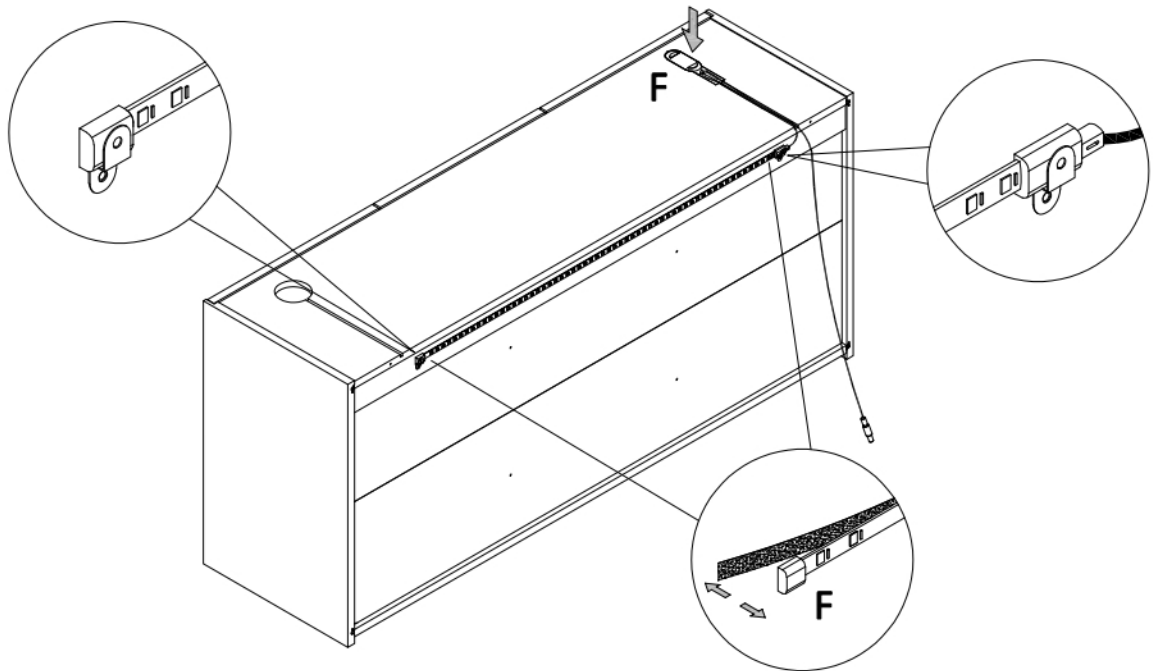
# 21

**PLEASE FOLLOW THE STEPS TO ENSURE NO DAMAGE.**  
Screw in clip 'I'- ensure surface is DUST FREE



# 22

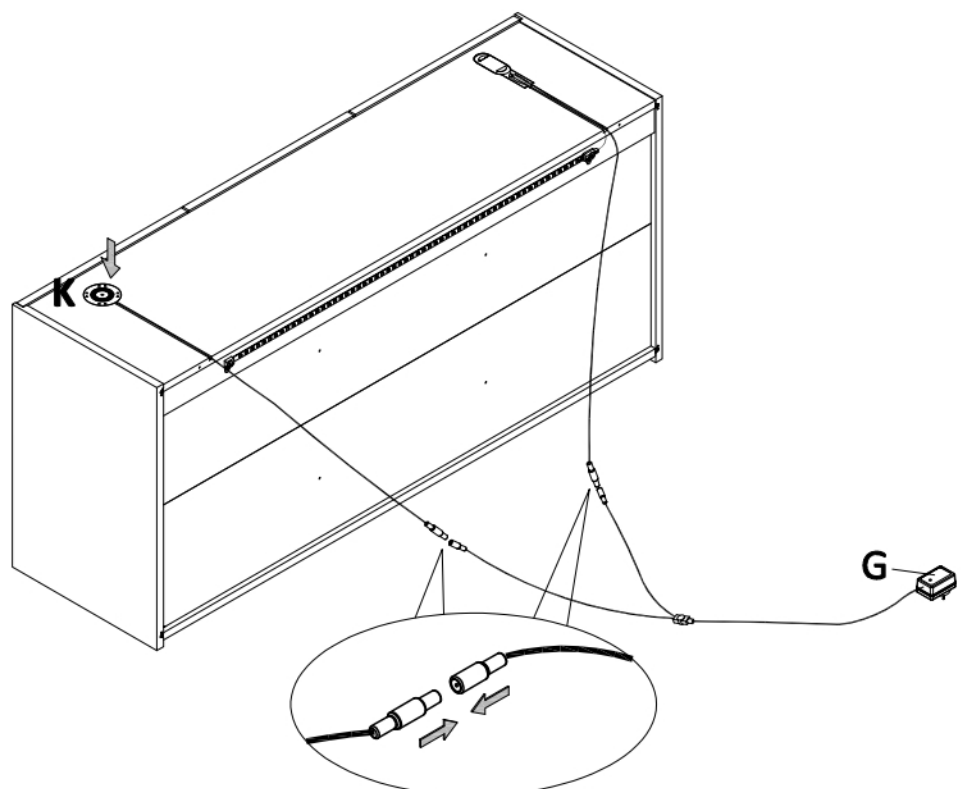
**CAUTION, When peeling off LED adhesive strip, take extra care to peel ONLY the protective strip, not the adhesive strip.**



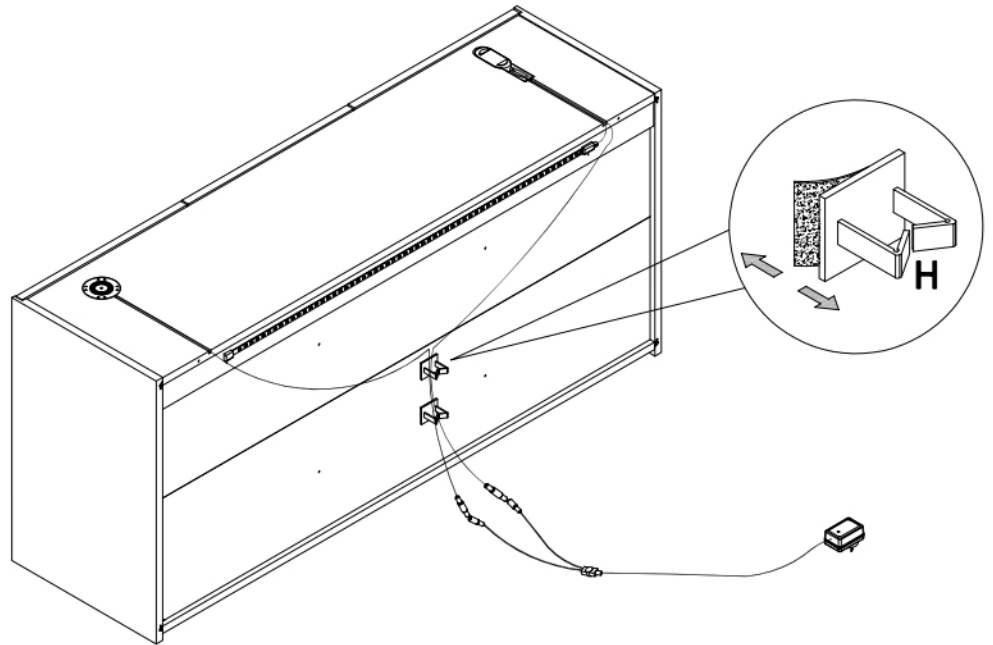
1. Do not remove LED strip backing yet, unravel LED strip from reel.
2. Place LED strip in position in the clip and lay the LED strip in place.
3. Start from the clip end, remove the LED backing strip with care and place in position on the edge of the back panel, pressing firmly.
4. Gently pull the wires so that the end of the LED strip is straight and sticking in position.

# 23

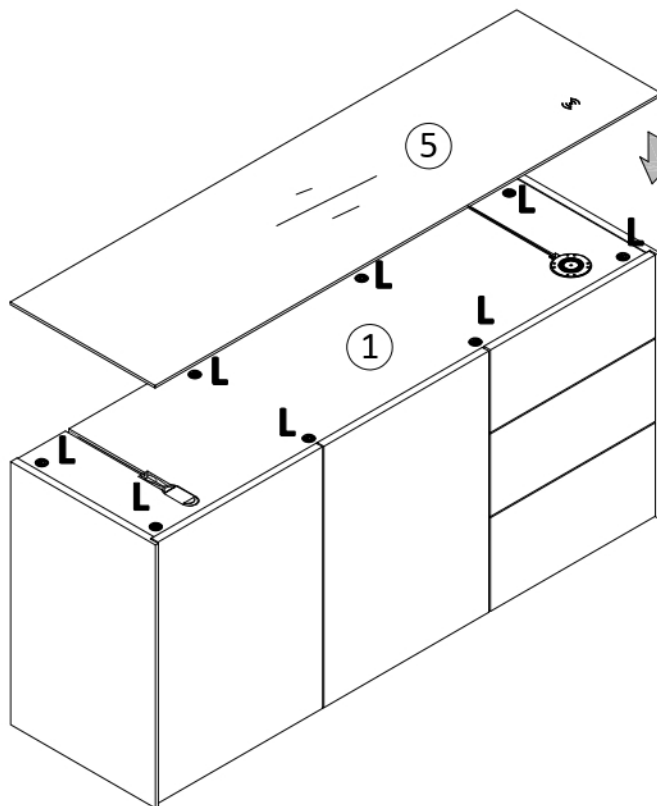
**NOTE :** See separate instructions provided on setting up the app / LED strip and Alexa voice control.



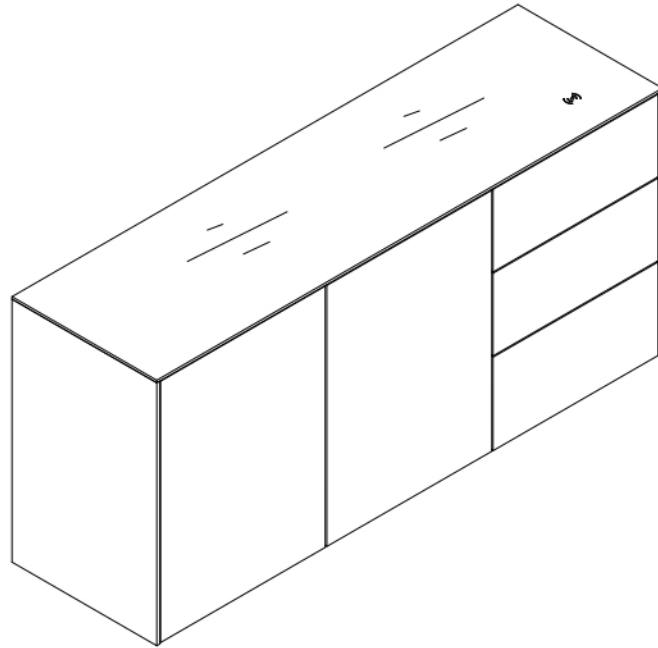
# 24



# 25



# 26

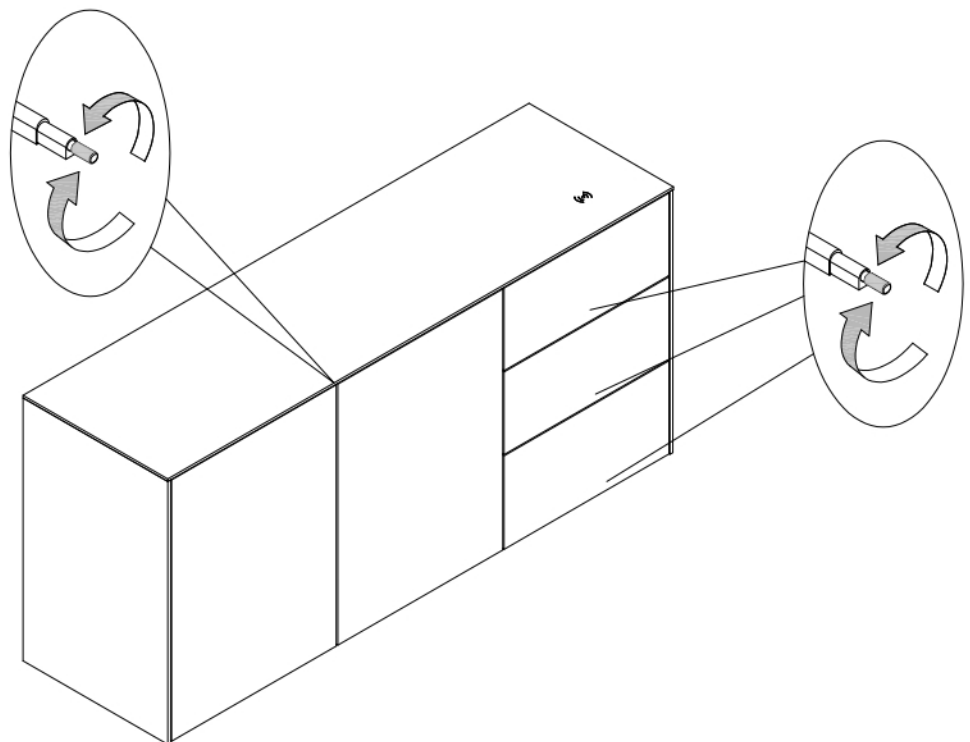


**CLEANING ADVICE:**

To avoid scratching the painted and glass surfaces, clean only with a non abrasive cleaner.

# 27

**NOTE:** If the push to open mechanism is not working properly, Simply turn the end of the barrel to adjust.



# 28 Wall Fixing Installation Instructions: Textile strap

## Step 1

Place your product in the final position. Mark the wall with a pencil where corresponding hole will be drilled into wall. Check for hidden gas and water pipes and / or electrical wiring. Drill holes and fit an appropriate wall plug (not supplied) for your wall type. Screw the strap to the wall.

Choose an appropriate screw to secure. If in any doubt please consult a professional.

### Note 1

The wall plug and the screw/ washer are not supplied as the wall types may vary

### Note 2

The required gap between product and the wall is at least 25 mm.

### Note 3

The end of the textile straps which are fixed to the wall should be about 25mm lower than the end fixed to the furniture.

## WARNING:



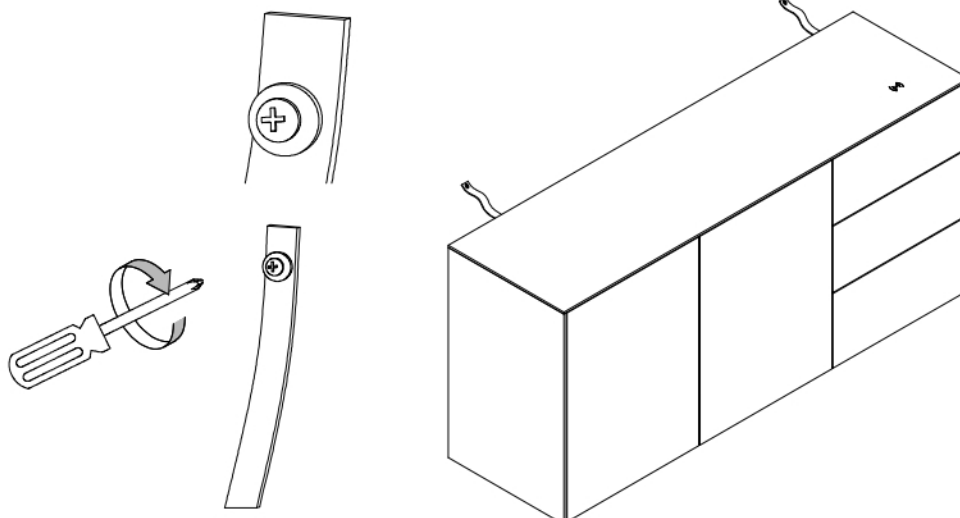
This QR Code will show you a video from ACCC emphasising the importance of securing the furniture.

- always secure this furniture with an anchor device;
- never allow children to stand, climb or hang on drawers, doors, or shelves

Wall fixings are supplied, and it is essential that these are used to provide additional stability in order to avoid the furniture toppling over with risk of injury or death.

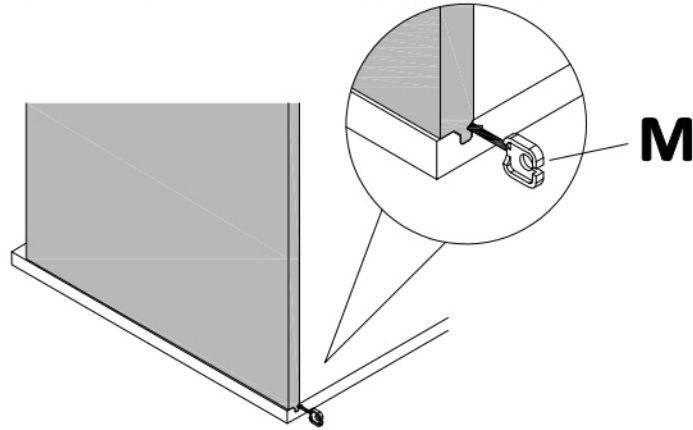
## CAUTION:

Always ensure the area to be drilled is free from hidden electrical wires, water and gas pipes.

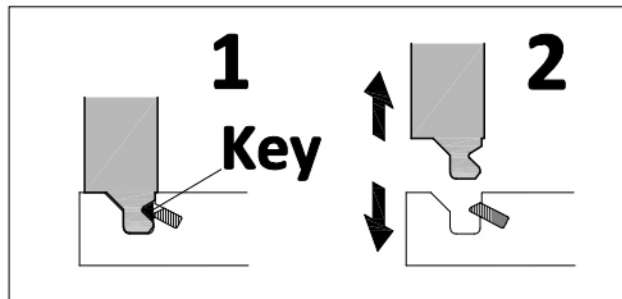


# 29 Disassembly Instructions

Unlock the cam fixing (top and bottom) of panel 10 and panel 11  
Gently insert Disassembly rod 'M' in to the triangle shown in the diagram as 'KEY'  
. Once all the way in, the panels will come apart. Due to the click system, the panels may need a gently 'nudge or tap' to release them.

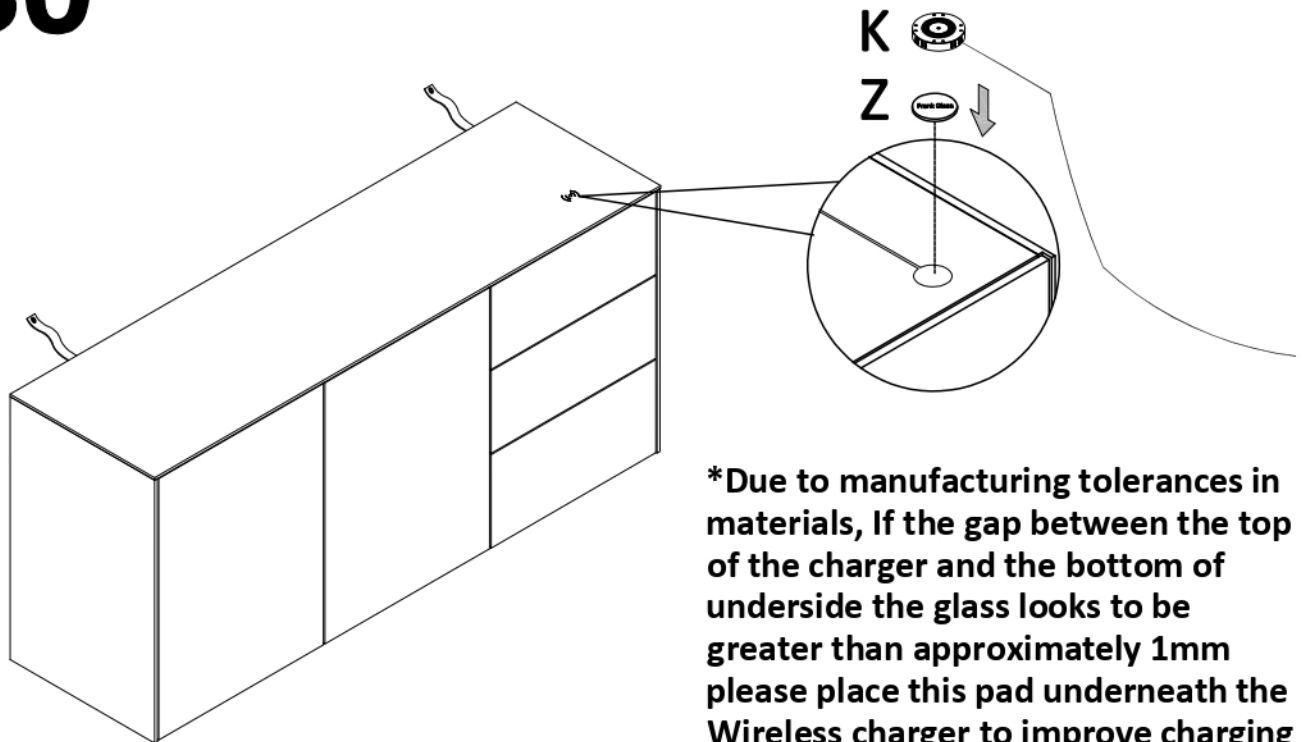


Insert rod 'M' into each section panel to disassemble panel at a time



# 30

**Finish** - Remove all visible stickers when assembly is fully completed.



\*Due to manufacturing tolerances in materials, If the gap between the top of the charger and the bottom of underside the glass looks to be greater than approximately 1mm please place this pad underneath the Wireless charger to improve charging (only use if required)

## CLEANING ADVICE:

To avoid scratching the surfaces, clean only with a non abrasive cleaner.

## NOTES ON SETTING UP WIFI

The LEDS lights only work on 2.4 GHz, they will not work on 5.0 GHz

Most homes are 2.4 GHz or operate a dual function. If for any reason the LED lights are not connecting to the app or Alexa, please check the router setting. Most routers will operate both 2.4 and 5.00 GHz so there should be no problem.

In commercial premises, there maybe software to block access connection to unknown apps or services. If this happens, please check with IT Department.

The system will work from a mobile WiFi hotspot from one phone to another. We recommend this approach if there are access issues.

Ensure Bluetooth setting is on.

## Using the wireless charging

The wireless charging will only work with Qi enabled wireless charging phones. Please check the phone is wireless charging compatible.

**Note:** We recommend removing the phone case during the charging process

- Using the plug provided, connect the wireless charger cable to the plug and connect to the power source.
- To charge your phone, simply place the phone on the charging position indicator and the phone will start to charge.
- To check if the charger is working, simply move the phone and if the red light is on, this indicates that the charger is working. You may need to reposition the phone slightly if the red light is not showing.
- For the charger to work properly, the charging position within the back of the phone needs to sit aligned with the central red light.
- An element of heat is created during the wireless charging process, this is perfectly normal and safe. The charger has a built-in temperature control and will not over heat.
- If a phone has a thick case, it may affect the wireless charging, to resolve this remove the phone case during charging.
- If a phone case is used and charging process seems to stop and start, remove the phone case and try again, this should work better.

**NOTE :** there may be a few seconds delay for the phone to register as charging which is normal.