
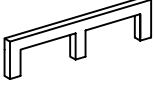
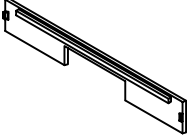
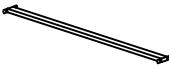

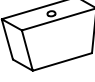


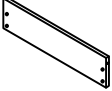




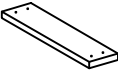
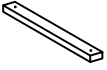

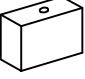
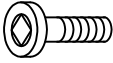
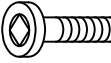
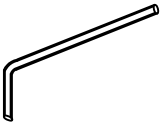

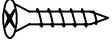
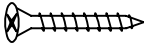
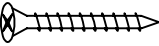
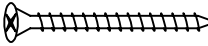
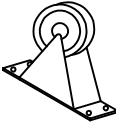
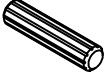
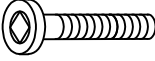
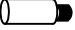


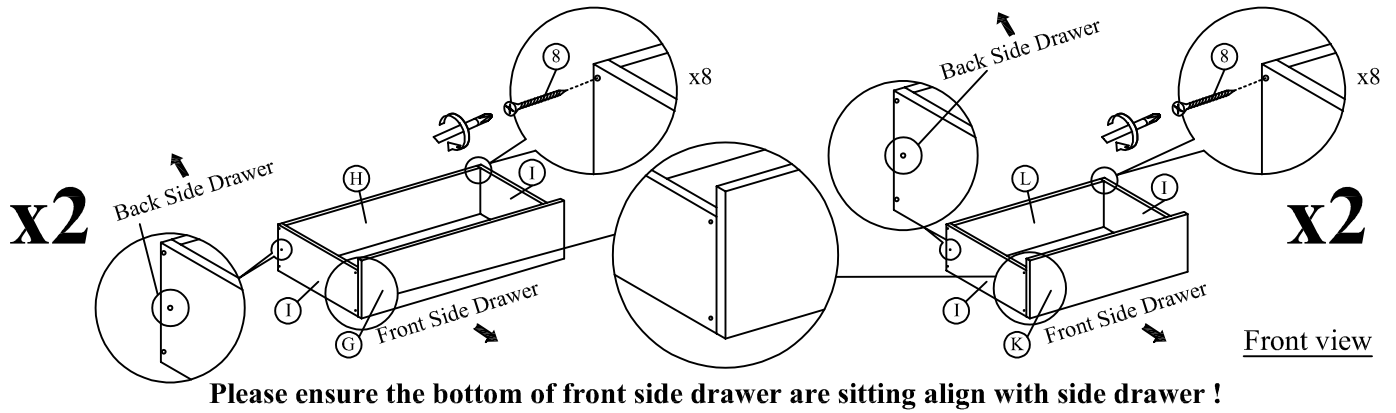
PARTS LIST

<p>A HEADBOARD (1 PC)</p> 	<p>B FOOTBOARD (1 PC)</p> 	<p>C SIDE RAIL (2 PCS)</p> 	<p>D CENTRAL RAIL (1 PC) 1880mm</p> 	<p>E SIDE RAIL (4PCS) SUPPORT 268 x 65 x 15mm</p> 	<p>F FOOTBOARD (4 PCS) SIDE LEGS 80 x 35 x 50(H)</p> 
<p>G FOOTBOARD & (4 PCS) FRONT PANEL (WITH LABEL 1)</p> 	<p>H FOOTBOARD & (4 PCS) BACK PANEL (WITH LABEL 2)</p> 	<p>I FOOTBOARD & (8 PCS) SIDE RAIL SIDE PANEL (WITH LABEL 3)</p> 	<p>J FOOTBOARD & (4 PCS) BOTTOM PANEL (WITH LABEL 4)</p> 	<p>K SIDE RAIL (4 PCS) FRONT PANEL (WITH LABEL 5)</p> 	<p>L SIDE RAIL (4 PCS) BACK PANEL (WITH LABEL 6)</p> 
<p>M SIDE RAIL (4 PCS) BOTTOM PANEL (WITH LABEL 7)</p> 	<p>N BOTTOM PANEL (8 PCS) BIG SUPPORT (WITH LABEL 8)</p> 	<p>O BOTTOM PANEL (4 PCS) SMALL SUPPORT (WITH LABEL 9)</p> 	<p>P SLAT (13 PCS) 1777mm</p> 	<p>Q FOOTBOARD (1 PC) CENTER LEGS 60 x 25 x 47(H)</p> 	

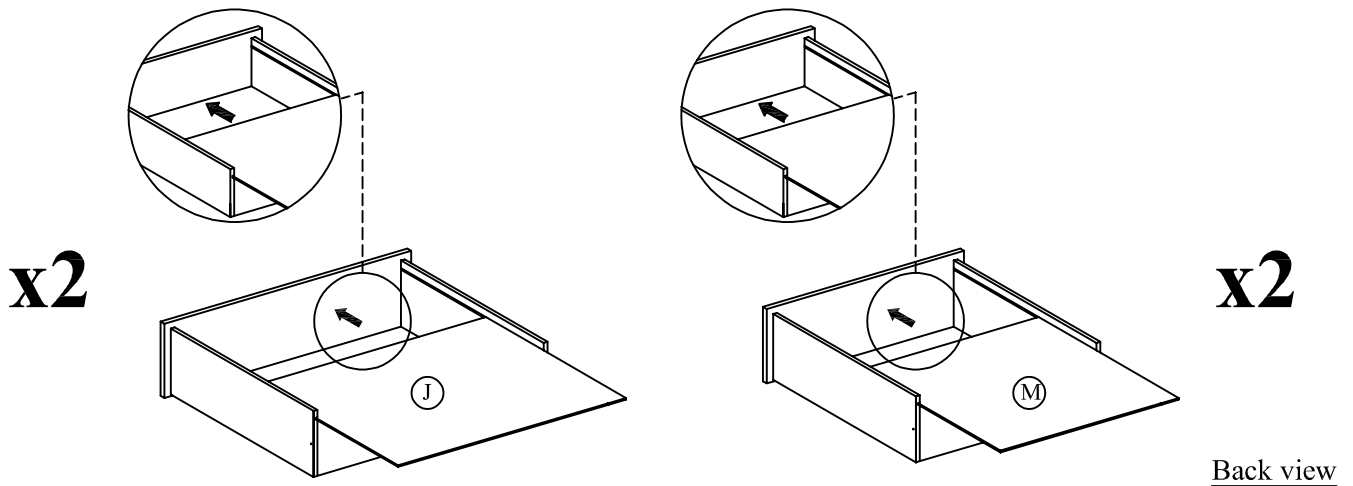
HARDWARE LIST

<p>1 JCBC M6 x 20mm (4 PCS)</p> 	<p>2 JCBB M8 x 20mm (8 PCS)</p> 	<p>3 Allen Key M4 X 100mm (1 PC)</p> 	<p>4 Allen Key M5 X 70mm (1 PC)</p> 	<p>5 CSK M3.5 x 16mm (64 PCS)</p> 
<p>6 CSK M4 x 28mm (12 PCS)</p> 	<p>7 CSK M4 x 32mm (66 PCS)</p> 	<p>8 CSK M4 x 50mm (32 PCS)</p> 	<p>9 Roller (16 PCS)</p> 	<p>10 Wood Dowel 20mm (8 PCS)</p> 
<p>11 JCBC M6 x 50mm (5 PCS)</p> 	<p>12 Metal Stopper (8 PCS)</p> 			

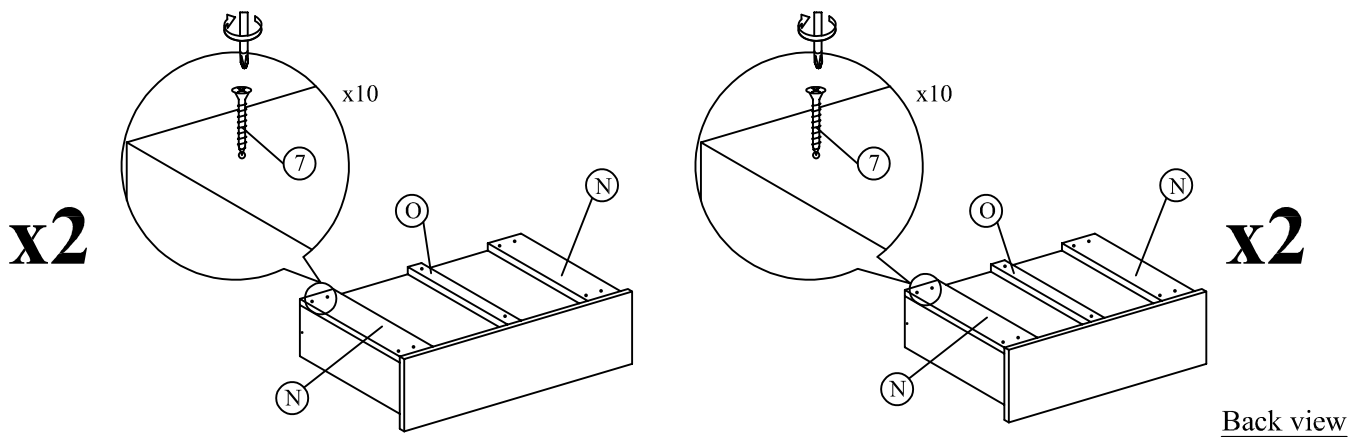
Step 1 : Tighten the footboard and side rail side panel (I) to the footboard front panel (G), side rail front panel (K), footboard back panel (H) and side rail back panel (L) with screws (8) using screw driver (not included).



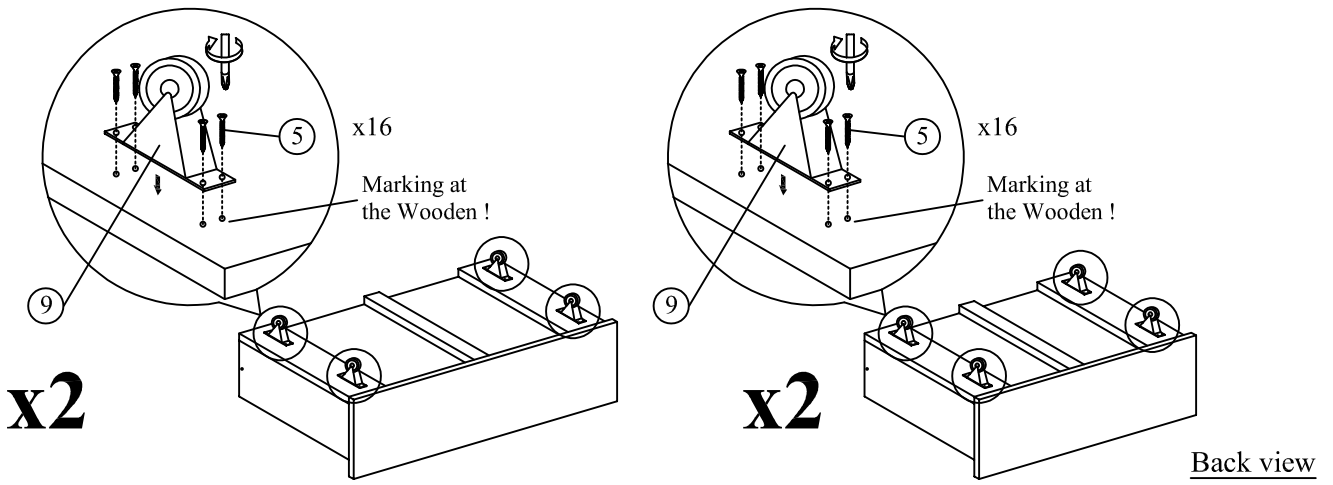
Step 2 : Slide the footboard bottom panel (J) and side rail bottom panel (M) to the set up drawer.



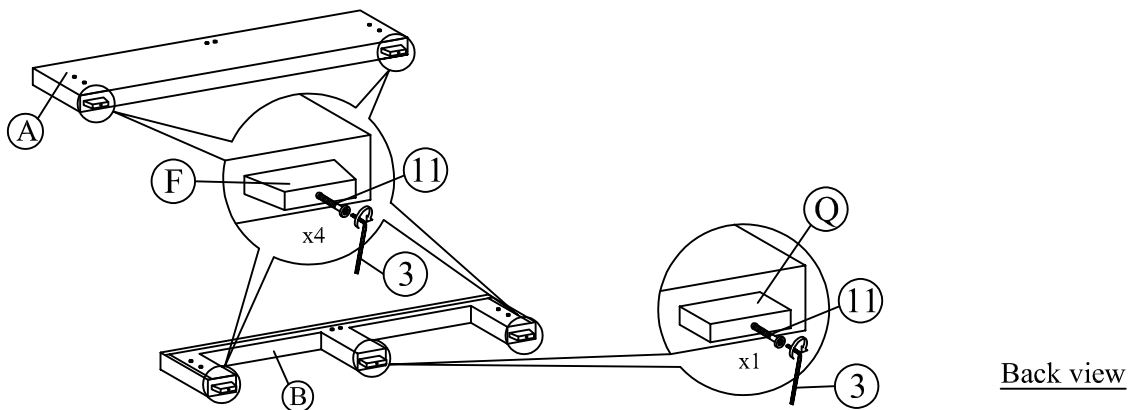
Step 3 : Tighten the footboard and side rail bottom panel support (N & O) with screws (7) using screw driver (not included).



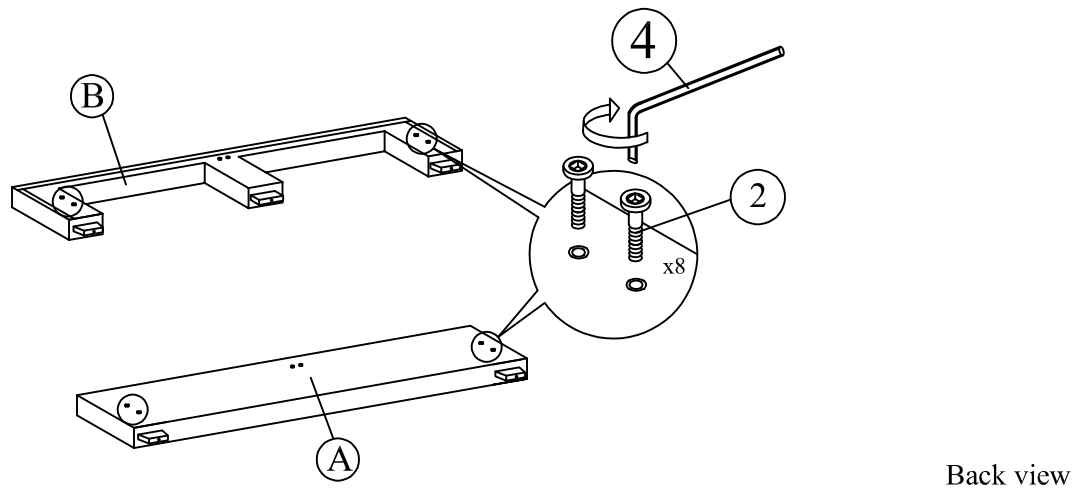
Step 4 : Tighten the roller (9) with screws (5) using screw driver (not included).



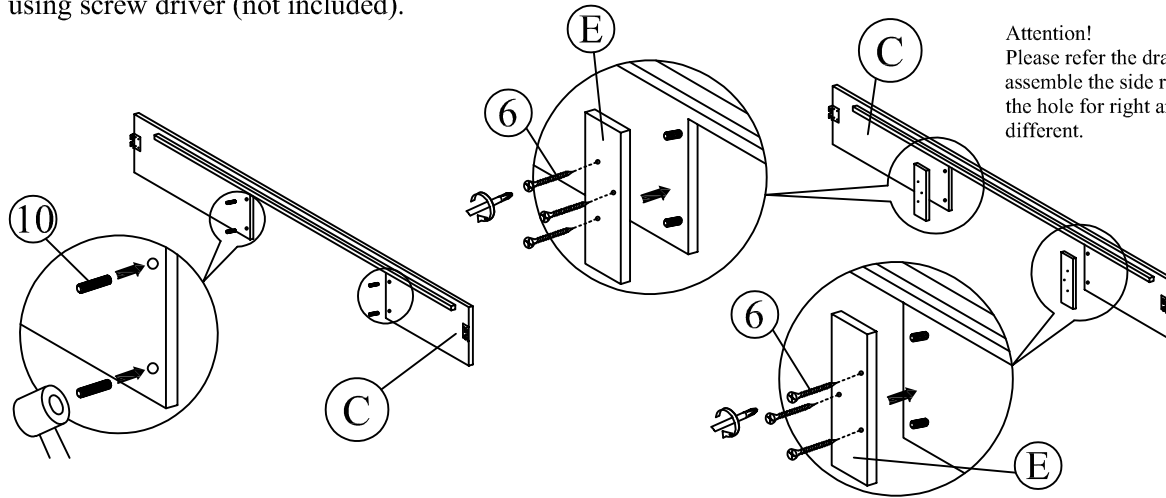
Step 5 : Tighten the footboard side legs (F), footboard center legs (Q) to both headboard (A) and footboard (B) as shown. Predrilled holes not required.



Step 6 : Attach the JCBB Bolt (2) to the headboard holes and footboard holes.

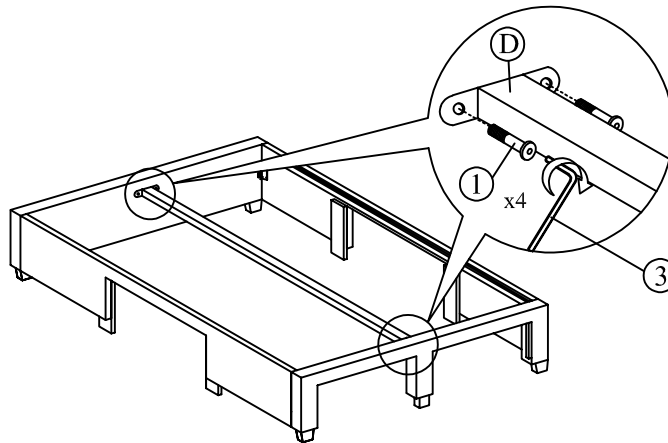


Step 7 : Attach wood dowel (10) to side rail (C). Tighten the side rail support (E) to the side rail (C) with screws (6) using screw driver (not included).

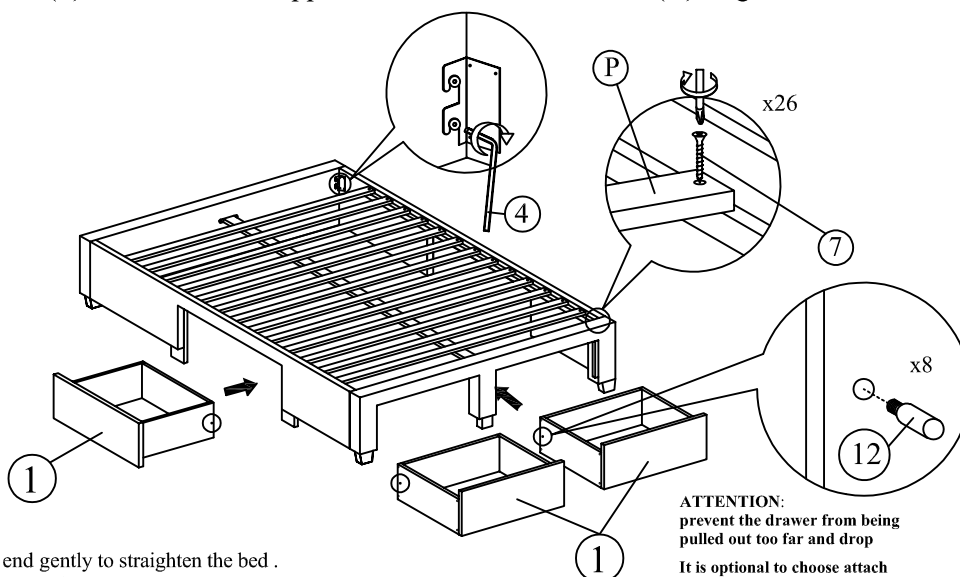


Attention!
Please refer the drawing while assemble the side rail support as the hole for right and left are different.

Step 8 : Slide the center rail (D) to the headboard (A) and footboard (B). Attach JCBC (1) to the headboard (A) and footboard (B).



Step 9 : Affix the Slat (P) to the side rail support wood and the center rail (D). Tighten all the 4 corner .



Remark

- A) Please lift up the foot end gently to straighten the bed .
- B) Tighten screws on one side of side rail only.
- C) Side rail is flexible please push on the center parts of the side rail gently then tighten the screw on side rail immediately. If necessary you may need to push the centre of side rail and pull the slat gently toward you all at the same time which will close the gap .
- D) Tighten all the screw.

ATTENTION:
prevent the drawer from being pulled out too far and drop
It is optional to choose attach the drawer stopper.