



## Six Drawer Tallboy

### Assembly Instructions

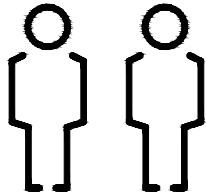
**Model Number: AOF-C6D06**

AFTER SALES SUPPORT

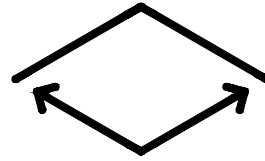
**(AU) 1300 886 649 (NZ) 0800 836 761**

# Assembly Requirements

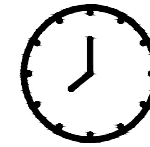
Personnel: 2 Adults



Space: 2 x 2 m



Time: 2 hours

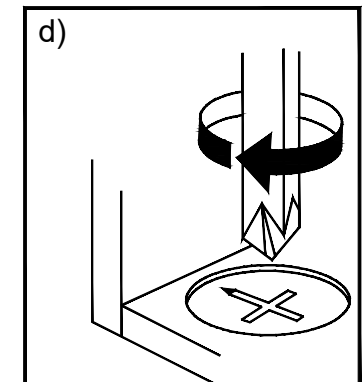
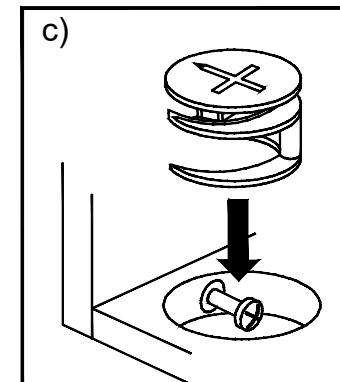
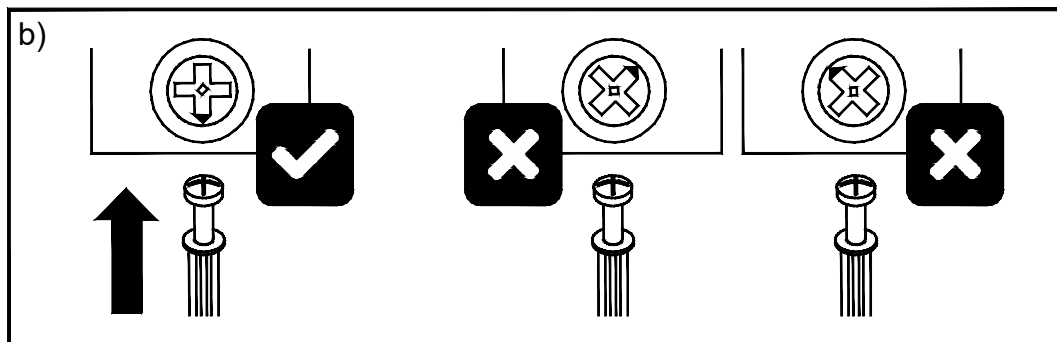
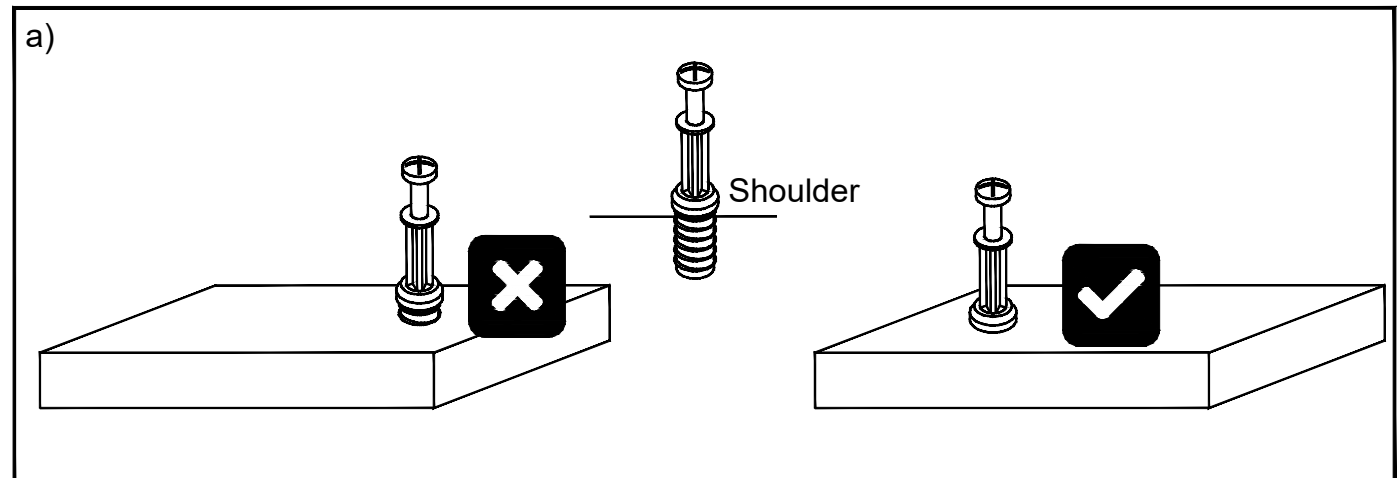


## Quickfit/Cam Lock Guide

To use the quickfit/cam lock, first insert the quickfit into the panel. The “shoulder” of the quickfit should be flush against the panel, as shown in (a).

When inserting the cam lock, ensure the orientation is correct, as shown, so that it aligns properly with the quickfit, as shown in (b) and (c).

Once the panels have been connected, tighten the cam lock with a screwdriver (d).



# Important Safety Information

## **IMPORTANT: Please read this manual carefully, and keep it for future reference.**

- This piece of furniture is intended for use in domestic environments. It is not suitable for commercial, industrial or trade use. Do not use it for any other purpose, and only use it as described in this manual.
- Assembly to be carried out by a competent adult only. Please check all parts and hardware are available and undamaged before use.
- During assembly children should be kept away from the product due to possible risk of injury.
- Do not use this item if any components are missing or damaged.
- Regularly check all fastenings to ensure that they properly tightened.
- Do not use the unit outdoors. It is for indoor use only.
- Keep away from fire and heat sources.
- Be aware of the risk of open fires and other sources of strong heat in the vicinity of the product.
- Do not use this product in a bathroom or laundry, or where it can be splashed with water.
- This item of furniture is not intended to be assembled by persons (including children) with reduced physical, sensory or mental capabilities, or lack of experience and knowledge.
- Handle this product with care. Do not shake the product vigorously or drop it from an elevation. Doing so will damage the product or shorten its lifespan. Do not sit or stand on the item of furniture, which may lead to potential injury. Do not press hard on top of the unit or place very heavy things on top of it.
- Always place the product on a dry, stable, level and horizontal surface. Never place it on an inclined or uneven surface.
- Do not locate the item of furniture near appliances that get hot during use, such as heaters, ovens or fireplaces. Avoid long-term exposure to direct sunshine.
- We accept no responsibility for any eventual injury or damage caused by improper installation, misuse or noncompliance with the instructions.
- These instructions are not intended to cover every possible condition and situation. As with any product, common sense and caution are therefore always recommended when assembling, using and maintaining the item of furniture.
- Do not over-tighten fixtures.
- Power tools are not recommended for assembly.
- This item of furniture is heavy - take care when moving it. Multiple people or a mechanical aid may be required.

# Important Safety Information

- **CAUTION:** Do not allow children to climb on this furniture - it may topple over and badly injure a child. Do not place toys or other items that may appeal to a child on top of this furniture item.
- **CAUTION:** Attachment of this item of furniture must be attached to an appropriate structural component of the building using suitable means, as advised by a qualified tradesperson, is strongly recommended.

## Care and Maintenance:

- Ensure that all fastenings and fixtures have been sufficiently tightened. You may need to re-tighten periodically, as necessary.
- To clean, wipe clean with a damp cloth, before drying thoroughly.
- Do not place hot or wet items on the surface.
- Do not drag or pull your furniture.

## Responsible disposal



Packaging materials are recyclable. Please dispose of them responsibly for recycling.



At the end of its working life, do not throw this item of furniture out with your household waste. Please dispose of this product at your local community's waste collection/recycling centre. Observe any local regulations regarding the disposal of this type of product.

NOTE: Due to continued product improvement, images and illustrations in this manual may vary slightly from the product purchased. All images in this set of assembly instructions are for reference purposes only. Parts are not necessarily pictured to scale.

# ASSEMBLY INSTRUCTIONS

Before you begin, please follow assembly instructions carefully, then follow them step by step.

Read instruction carefully . See Furniture Parts list and Hardware List for guidance . Be sure you have all parts before you start assembling .  
Place and assemble furniture on a clean flat soft surface , such as carpet or rug to prevent being scratched .

PART LIST		QTY
1	TOP PANEL	1 PC
2	BOTTOM PANEL	1 PC
3	SIDE PANEL (L)	1 PC
4	SIDE PANEL (R)	1 PC
5	CENTER PANEL	1 PC
6	BOTTOM BONE	1 PC
7	MIDDLE BONE - 1	1 PC
8	MIDDLE BONE - 2	1 PC
9	BACK BONE	1 PC
10	BACK PANEL	1 PC
11	DRAWER FRONT (L)	1 PC
12	DRAWER FRONT (R)	1 PC
13	DRAWER FRONT BIG	4 PCS
14	DRAWER BACK	2 PCS
15	DRAWER BACK BIG	4 PCS
16	DRAWER SIDE (L)	6 PCS
17	DRAWER SIDE (R)	6 PCS
18	DRAWER BOTTOM	2 PCS
19	DRAWER BOTTOM BIG	4 PCS
20	DRAWER BONE	6 PCS
21	METAL SUPPORT	1 PC

HARDWARE			
A	MINI FIX	A1  A2  A3	42 SETS
B	M8 X 30MM WOOD DOWEL		31 PCS
C	M6 X 50MM CSK CAP WOOD SCREW		1 PC
D	ALLEN KEY M4		1 PC
E	M3.5 X 16MM C.B SCREW		80 PCS
F	M4 X 25MM C.B SCREW		20 PCS
G	M4 X 30MM C.B SCREW		4 PCS
H	M4 X 38MM C.B SCREW		24 PCS
I	5/8 PVC NAIL LEG		7 PCS
J	5/8 NAIL		2 PCS
K	STUD 192 WITH SCREW	K1  K2	8 SETS
L	PVC HANDLE 7050.96		10 PCS
M	12" DRAWER SLIDE	M1 (L/R)  M2 (L/R)	6 SETS
N	TIPPING PACK WITHOUT AI	N1  N2  N3  N4  N5	2 SETS

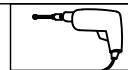
SELF-PREPARED TOOLS: Tools below are NOT included in package.



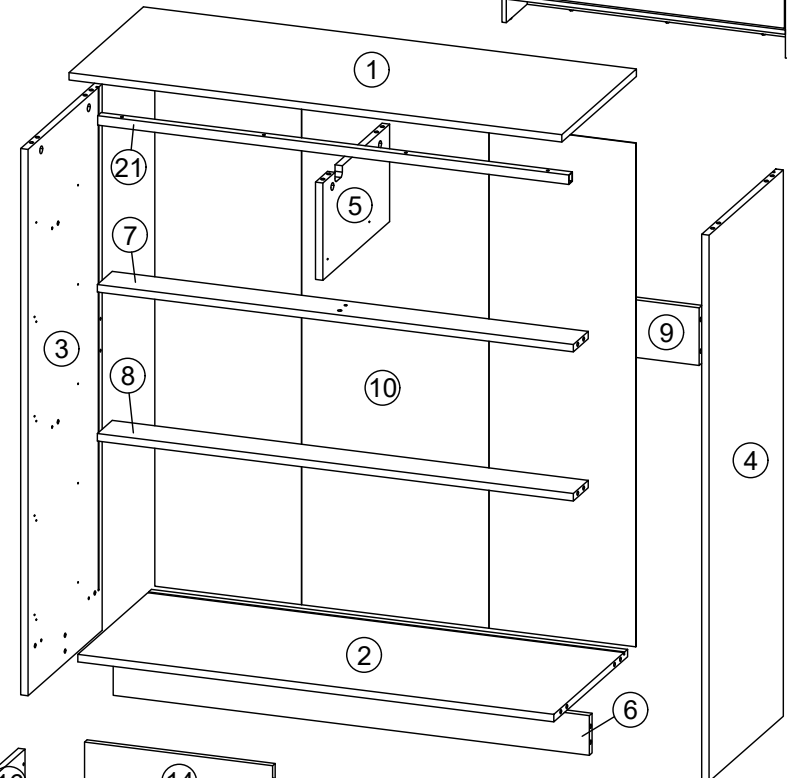
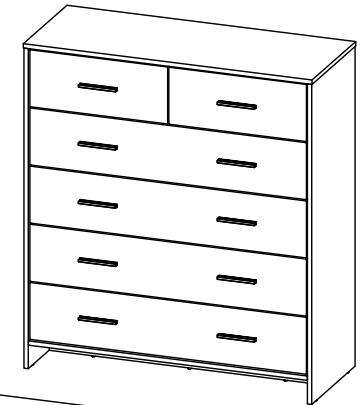
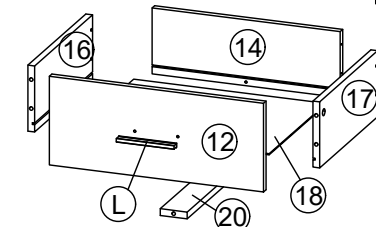
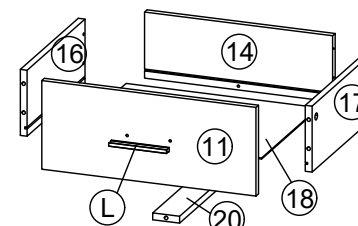
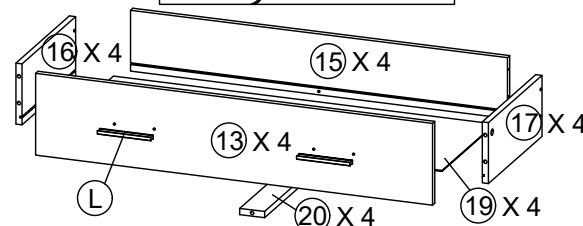
SCREWDRIVER



HAMMER



POWER DRILL



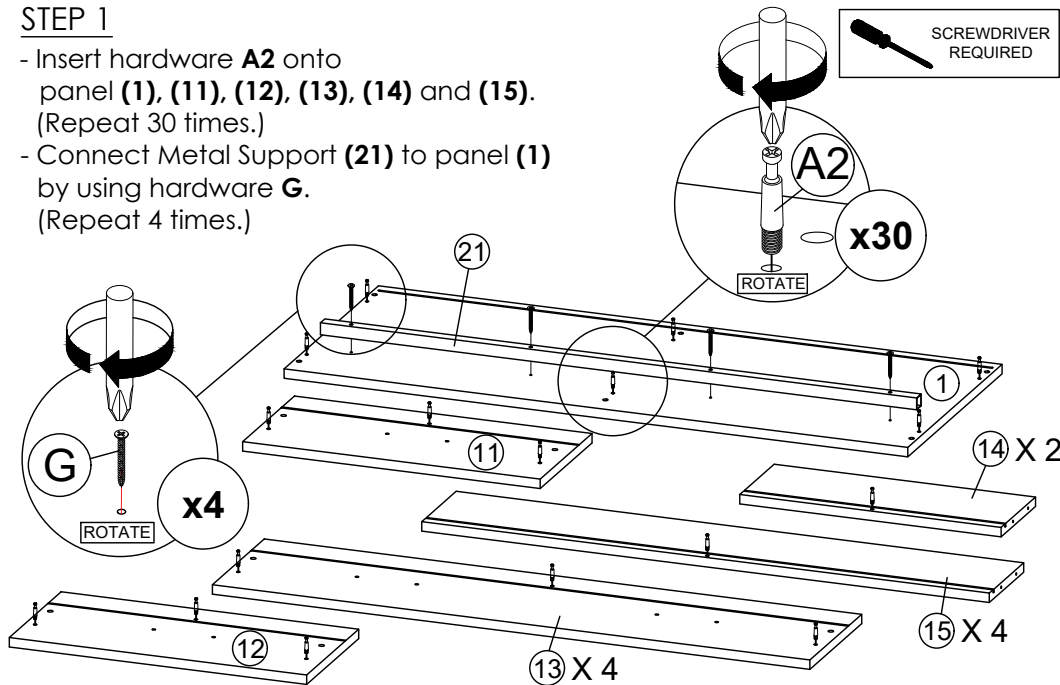
## Reminder:

Please ensure that all surfaces and edges with colours/laminations are facing forward/outward.

# ASSEMBLY INSTRUCTIONS

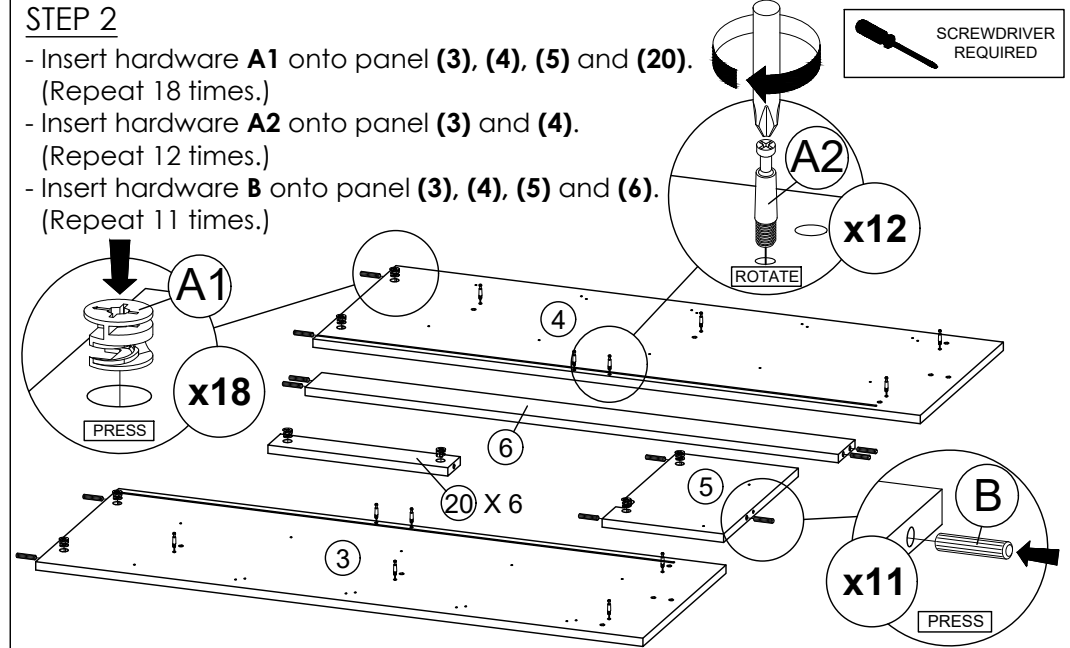
## STEP 1

- Insert hardware **A2** onto panel **(1), (11), (12), (13), (14)** and **(15)**.  
(Repeat 30 times.)
- Connect Metal Support **(21)** to panel **(1)** by using hardware **G**.  
(Repeat 4 times.)



## STEP 2

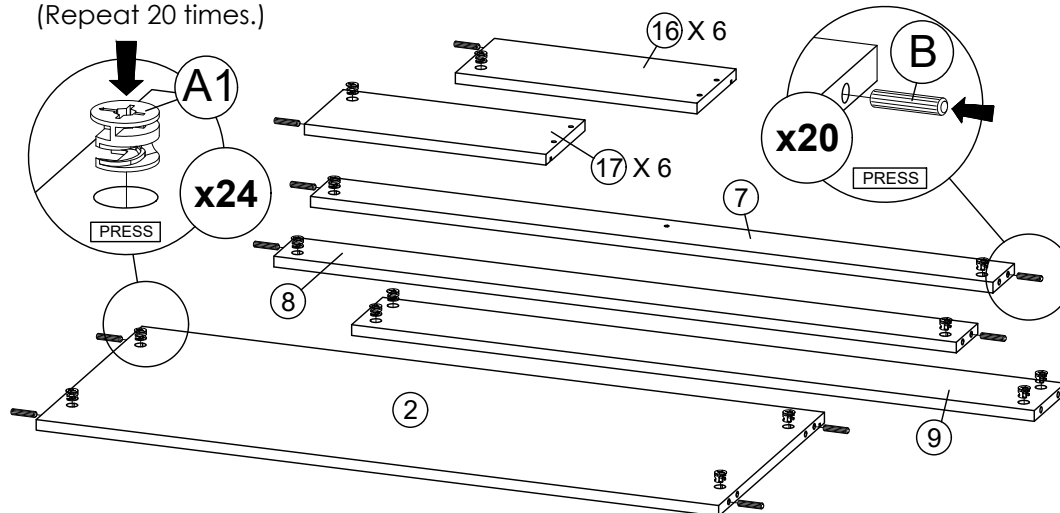
- Insert hardware **A1** onto panel **(3), (4), (5)** and **(20)**.  
(Repeat 18 times.)
- Insert hardware **A2** onto panel **(3)** and **(4)**.  
(Repeat 12 times.)
- Insert hardware **B** onto panel **(3), (4), (5)** and **(6)**.  
(Repeat 11 times.)



\* Ensure the arrows on hardware **A1** point towards mounting positions.

## STEP 3

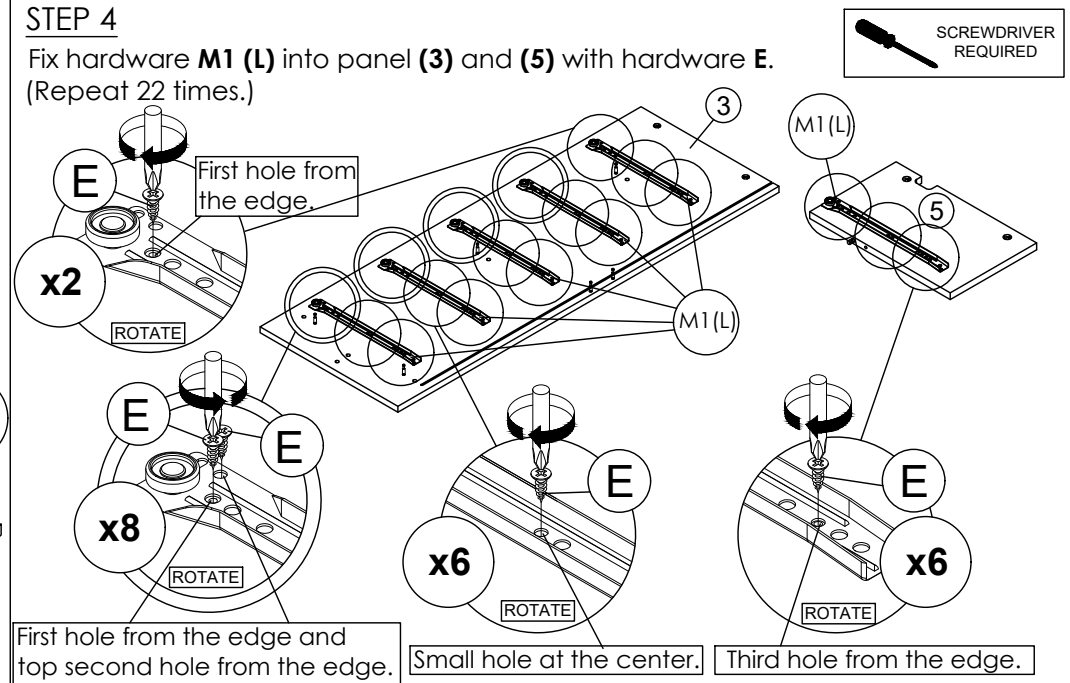
- Insert hardware **A1** onto panel **(2), (7), (8), (9), (16)** and **(17)**.  
(Repeat 24 times.)
- Insert hardware **B** onto panel **(2), (7), (8), (16)** and **(17)**.  
(Repeat 20 times.)



\* Ensure the arrows on hardware **A1** point towards mounting positions.

## STEP 4

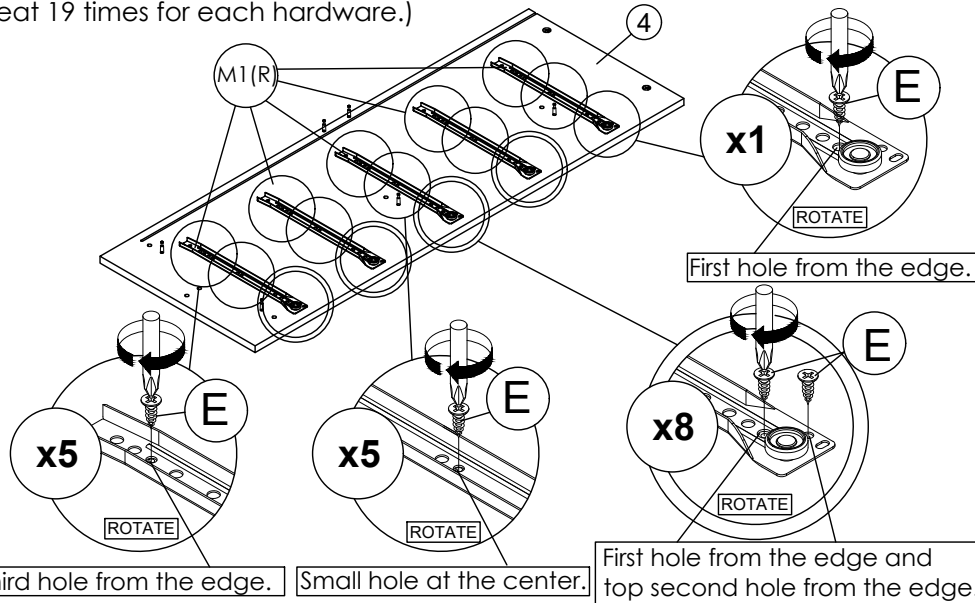
- Fix hardware **M1 (L)** into panel **(3)** and **(5)** with hardware **E**.  
(Repeat 22 times.)



# ASSEMBLY INSTRUCTIONS

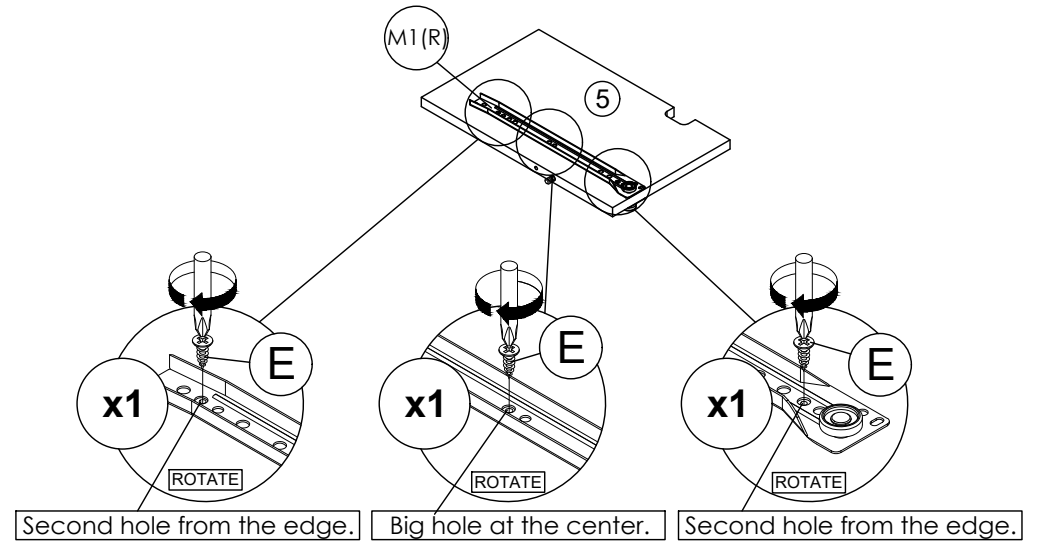
## STEP 5

Fix hardware **M1 (R)** into panel **(4)** with hardware **E**.  
(Repeat 19 times for each hardware.)



## STEP 6

Fix hardware **M1 (R)** into panel **(5)** with hardware **E**.  
(Repeat 3 times for each hardware.)

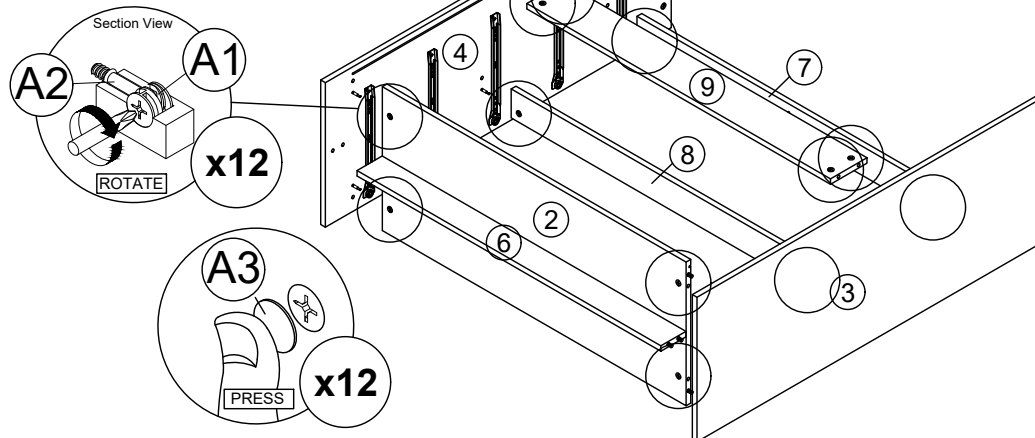


## STEP 7

- Attach panel **(3)** and **(4)** to panel **(2)**, **(6)**, **(7)**, **(8)** and **(9)**.
- Insert all hardware **A2** into **A1**.
- Rotate all **A1** until tight.
- Apply **A3** onto all **A1**.  
(Repeat 12 times.)

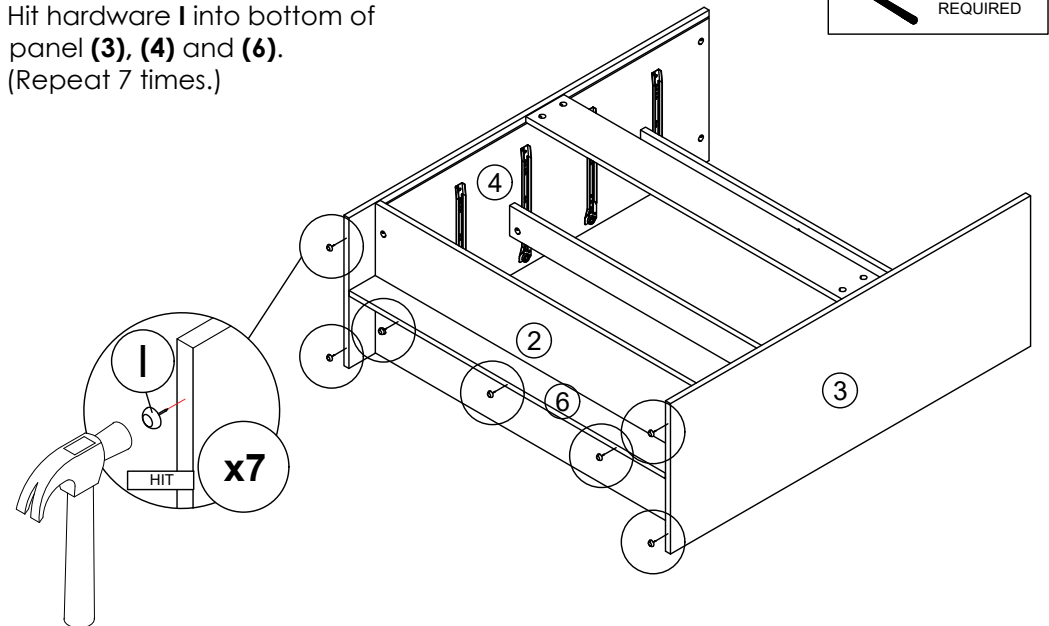


OR



## STEP 8

Hit hardware **I** into bottom of panel **(3)**, **(4)** and **(6)**.  
(Repeat 7 times.)

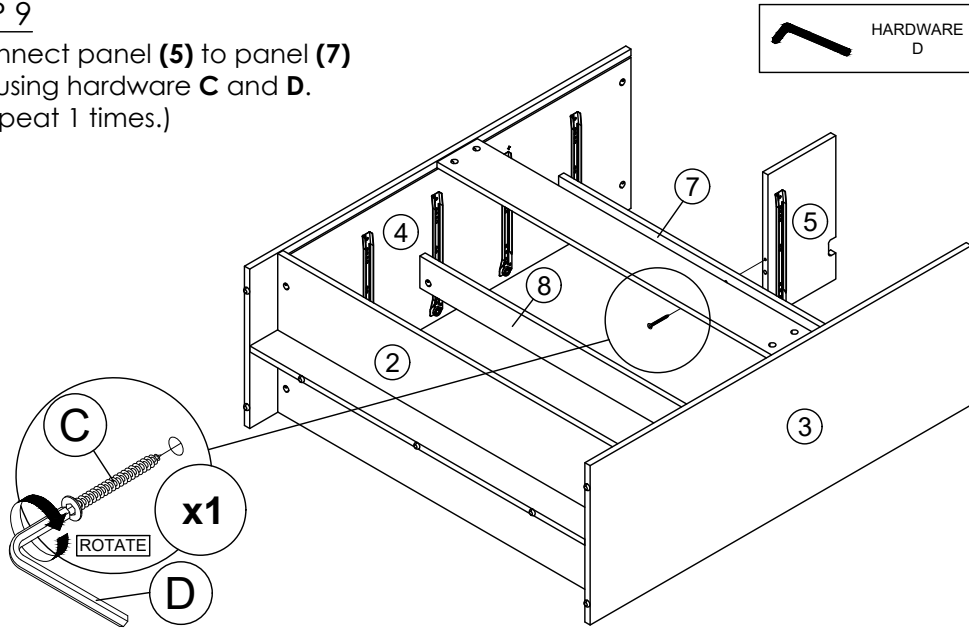


\* In this step hardware **A1**, **A2** and **B** are pre-inserted.

# ASSEMBLY INSTRUCTIONS

## STEP 9

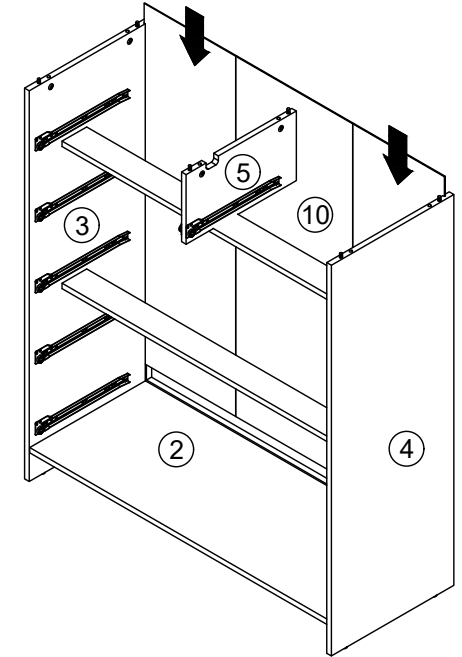
- Connect panel (5) to panel (7) by using hardware C and D. (Repeat 1 times.)



\* In this step hardware B are pre-inserted.

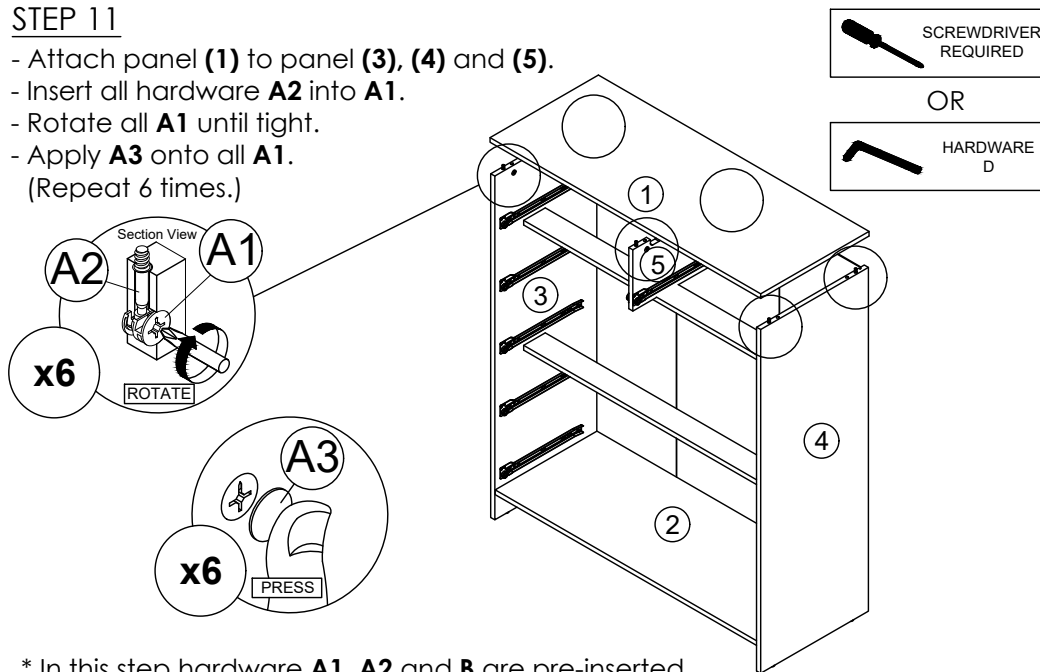
## STEP 10

- Insert the panel (10) along the slot. (Repeat 1 times.)



## STEP 11

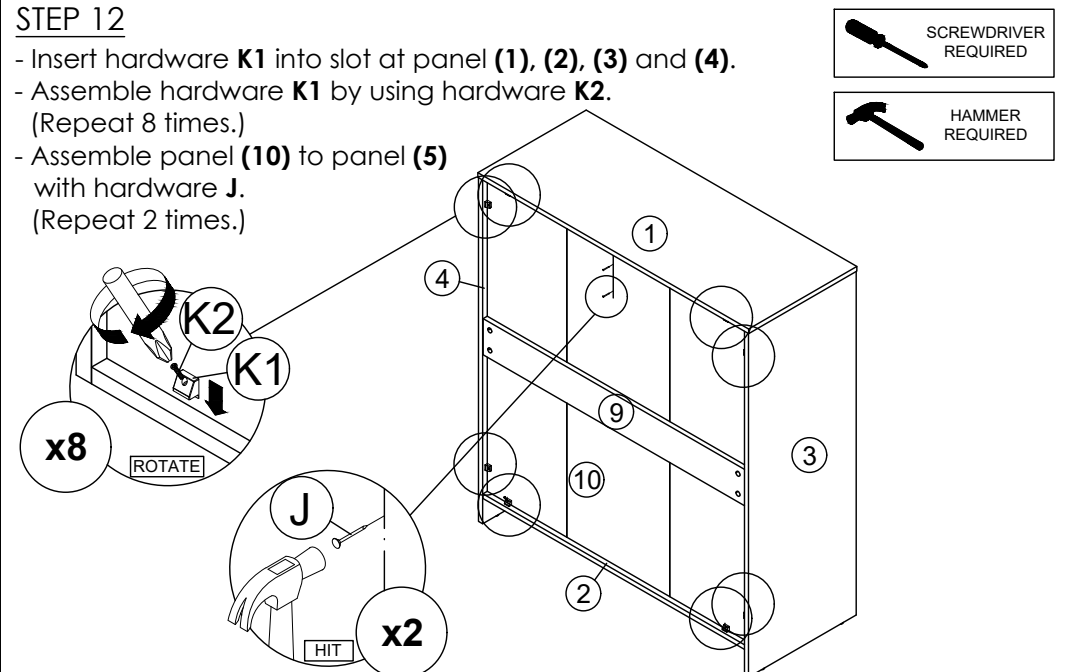
- Attach panel (1) to panel (3), (4) and (5).
- Insert all hardware A2 into A1.
- Rotate all A1 until tight.
- Apply A3 onto all A1. (Repeat 6 times.)



\* In this step hardware A1, A2 and B are pre-inserted.

## STEP 12

- Insert hardware K1 into slot at panel (1), (2), (3) and (4).
- Assemble hardware K1 by using hardware K2. (Repeat 8 times.)
- Assemble panel (10) to panel (5) with hardware J. (Repeat 2 times.)

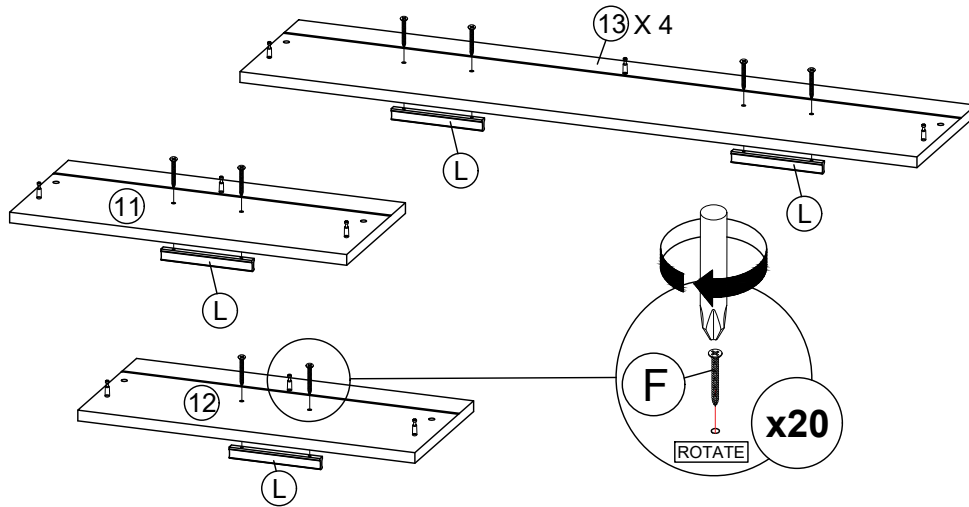




# ASSEMBLY INSTRUCTIONS

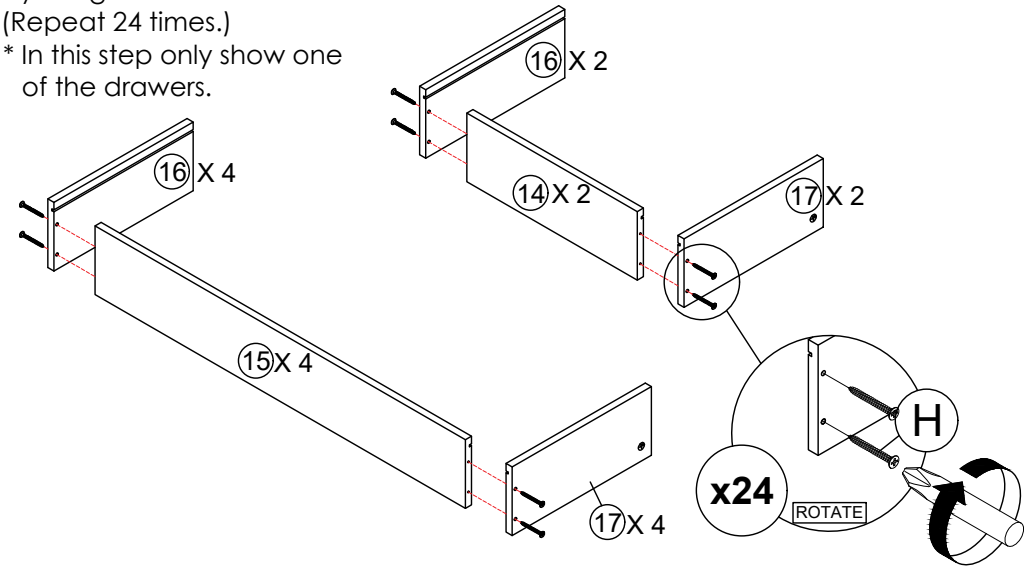
## STEP 13

Fix hardware **L** onto panel **(11)**, **(12)** and **(13)** by using hardware **F**.  
(Repeat 2 times for each hardware.)



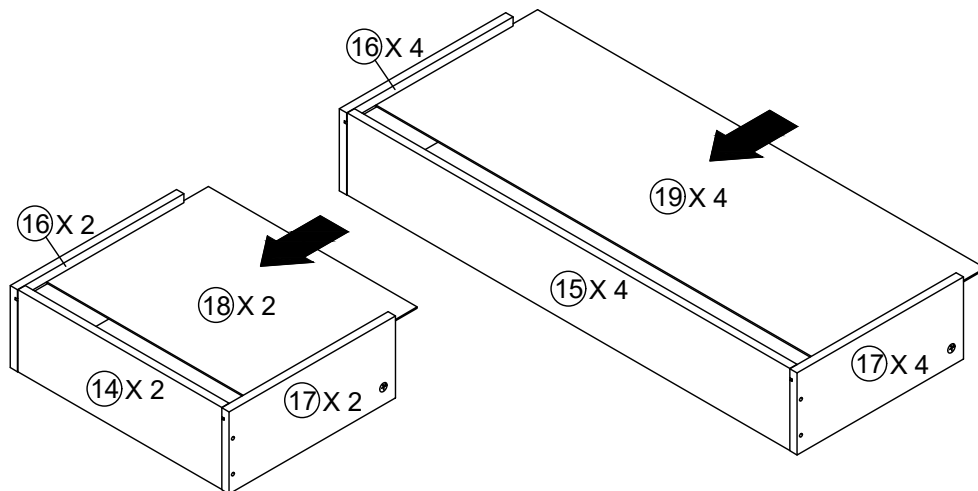
## STEP 14

Assemble panel **(16)** and **(17)** with panel **(14)** or **(15)** by using hardware **H**.  
(Repeat 24 times.)  
\* In this step only show one of the drawers.



## STEP 15

Insert the panel **(18)** and **(19)** along the slot.  
(Repeat 6 times.)  
\* In this step only show one of the drawers.



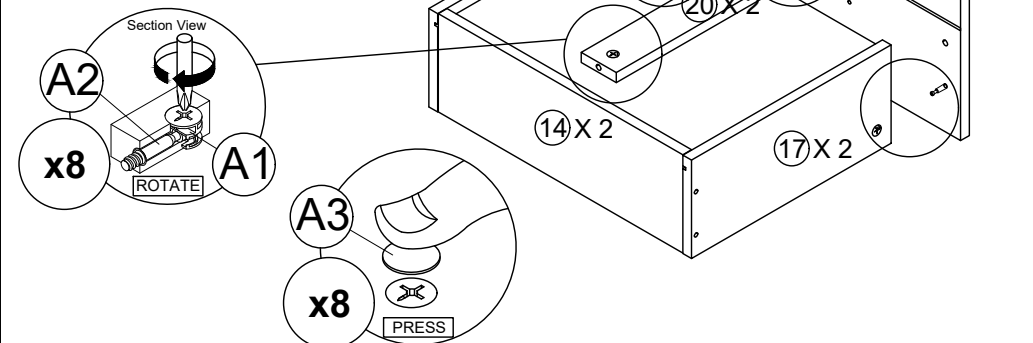
## STEP 16

- Attach panel **(20)** to panel **(14)**.
- Attach panel **(11)** or **(12)** to panel **(16)**, **(17)** and **(20)**.
- Insert all hardware **A2** into **A1**.
- Rotate all **A1** until tight.
- Apply **A3** onto all **A1**.

(Repeat 8 times.)  
\* In this step only show one of the drawers.



OR



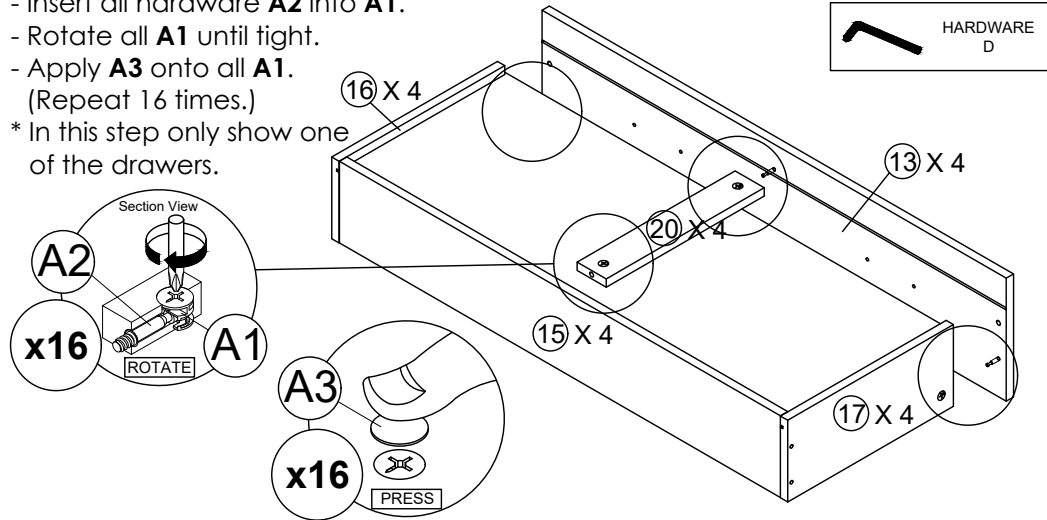
\* In this step hardware **A1**, **A2** and **B** are pre-inserted.

# ASSEMBLY INSTRUCTIONS

## STEP 17

- Attach panel **(20)** to panel **(15)**.
- Attach panel **(13)** to panel **(16)**, **(17)** and **(20)**.
- Insert all hardware **A2** into **A1**.
- Rotate all **A1** until tight.
- Apply **A3** onto all **A1**.
- (Repeat 16 times.)

\* In this step only show one of the drawers.



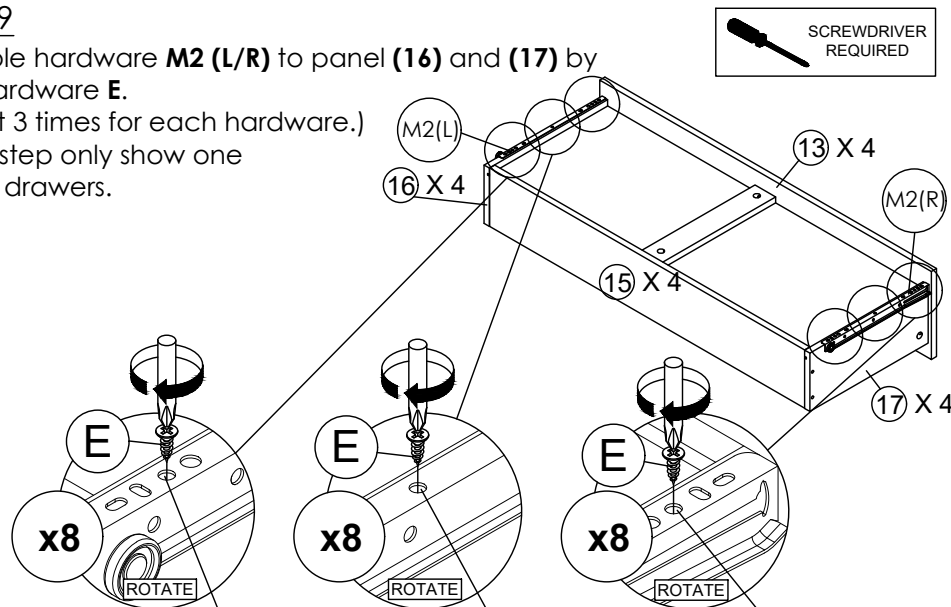
\* In this step hardware **A1**, **A2** and **B** are pre-inserted.

## STEP 19

Assemble hardware **M2 (L/R)** to panel **(16)** and **(17)** by using hardware **E**.

(Repeat 3 times for each hardware.)

\* In this step only show one of the drawers.



Third hole from the edge. Hole at the center. Third hole from the edge.

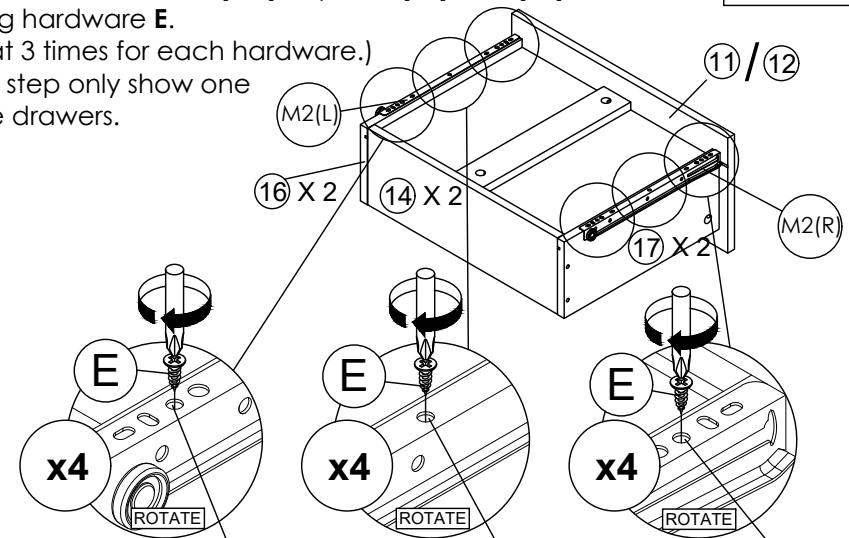
\*Hardware **M2 (L/R)** shall be leaning against panel **(13)** when assembling.

## STEP 18

Assemble hardware **M2 (L/R)** to panel **(16)** and **(17)** by using hardware **E**.

(Repeat 3 times for each hardware.)

\* In this step only show one of the drawers.

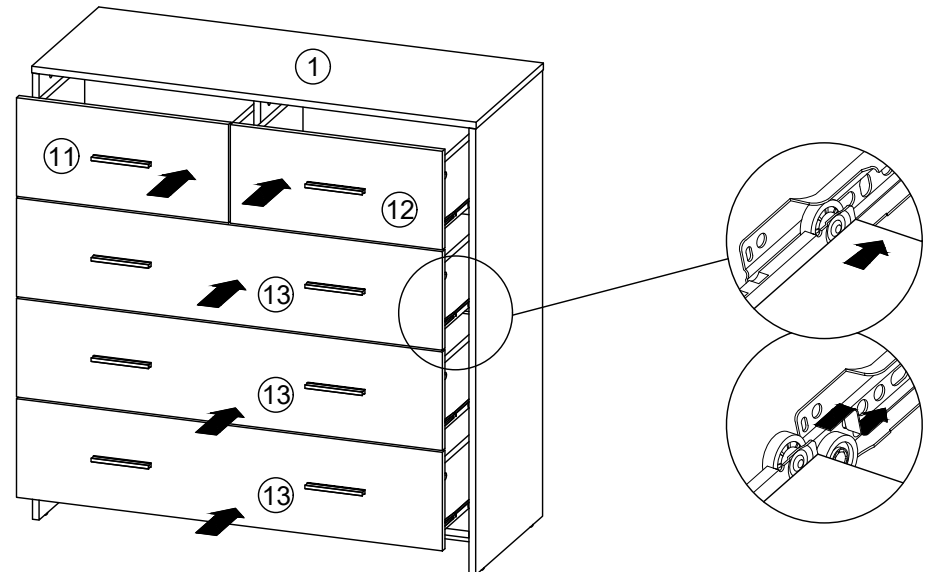


Third hole from the edge. Hole at the center. Third hole from the edge.

\*Hardware **M2 (L/R)** shall be leaning against panel **(11)** or **(12)** when assembling.

## STEP 20

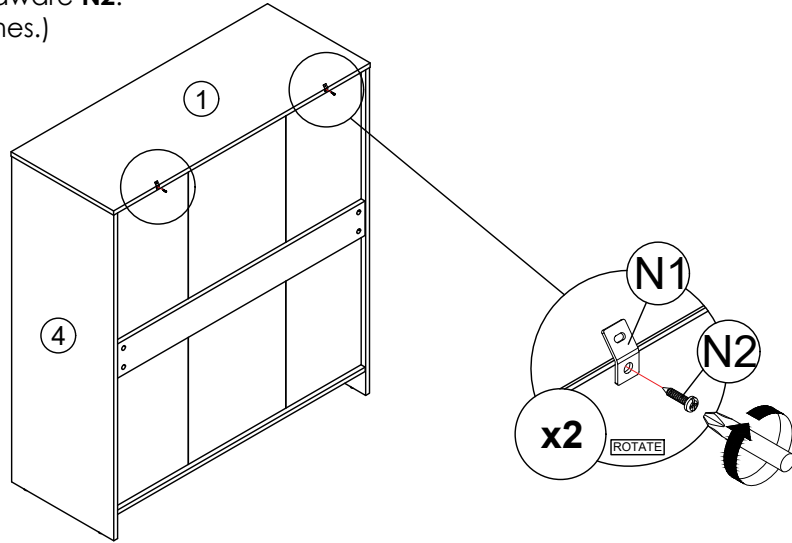
Put all the drawer in place along the drawer slides.



# ASSEMBLY INSTRUCTIONS

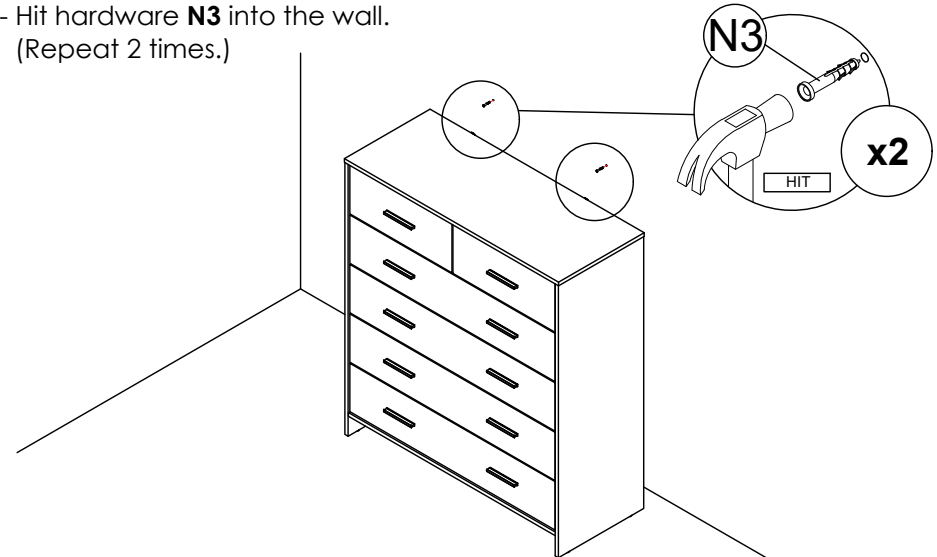
## STEP 21

Assemble hardware **N1** into panel **(1)** by using hardware **N2**.  
(Repeat 2 times.)



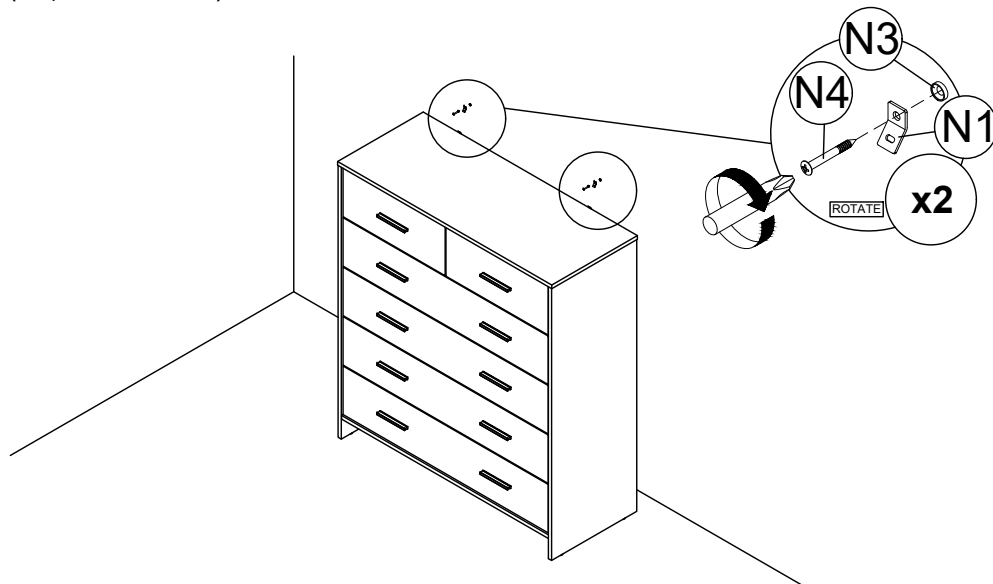
## STEP 22

- Mark and use the power drill to drill a hole on the wall.  
- Hit hardware **N3** into the wall.  
(Repeat 2 times.)



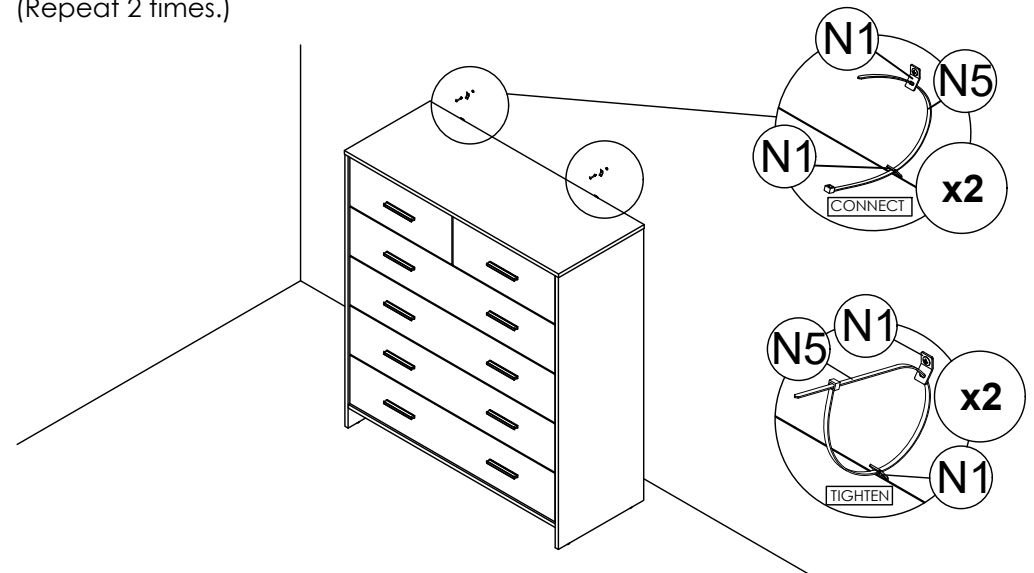
## STEP 23

- Assemble hardware **N1** to **N3** by using hardware **N4**.  
(Repeat 2 times.)



## STEP 24

- Connect both of the hardware **N1** by using hardware **N5**.  
- Tighten the hardware **N5**.  
(Repeat 2 times.)



\* Maximum recommended weight is 10kg on top and 8kg per drawer.

## **Warranty returns**

Should you for any reason need to return this product for a warranty claim, make sure to include all accessories with the product.

## **Product does not work?**

If you encounter problems with this product, or if it fails to perform to your expectations, make sure to contact our After Sales Support Centre on (AU) 1300 886 649 or (NZ) 0800 836 761 for advice.

For an electronic copy of this manual, please contact our after sales support centre.

Distributed by Tempo (Aust) Pty Ltd ABN 70 106 100 252

PO BOX 132, Frenchs Forest NSW 1640, Australia

Customer Helpline:

(AU) 1300 886 649 (NZ) 0800 836 761

Web Support: [tempo.org/support](http://tempo.org/support)