



Bedside Table

Assembly Instructions Model Number: AOF-RBT016

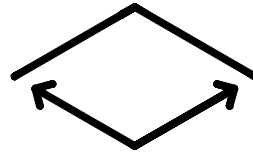
AFTER SALES SUPPORT
(AU) 1300 886 649 (NZ) 0800 836 761

Assembly Requirements

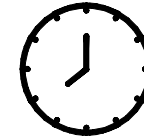
Personnel: 1 Adult



Space: 1 x 1 m



Time: 45 minutes

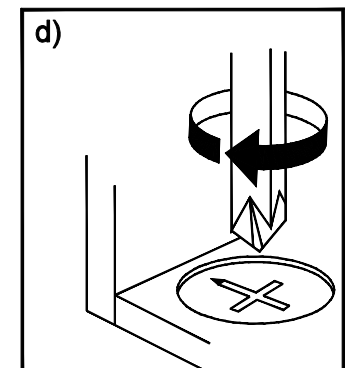
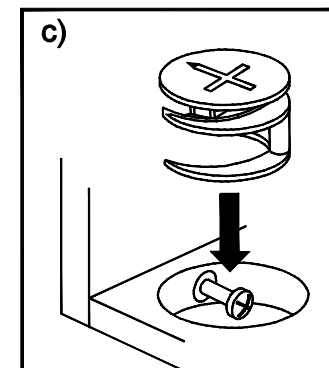
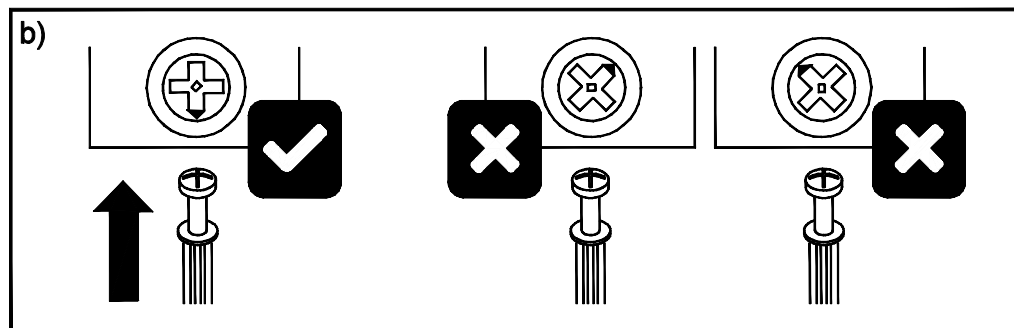
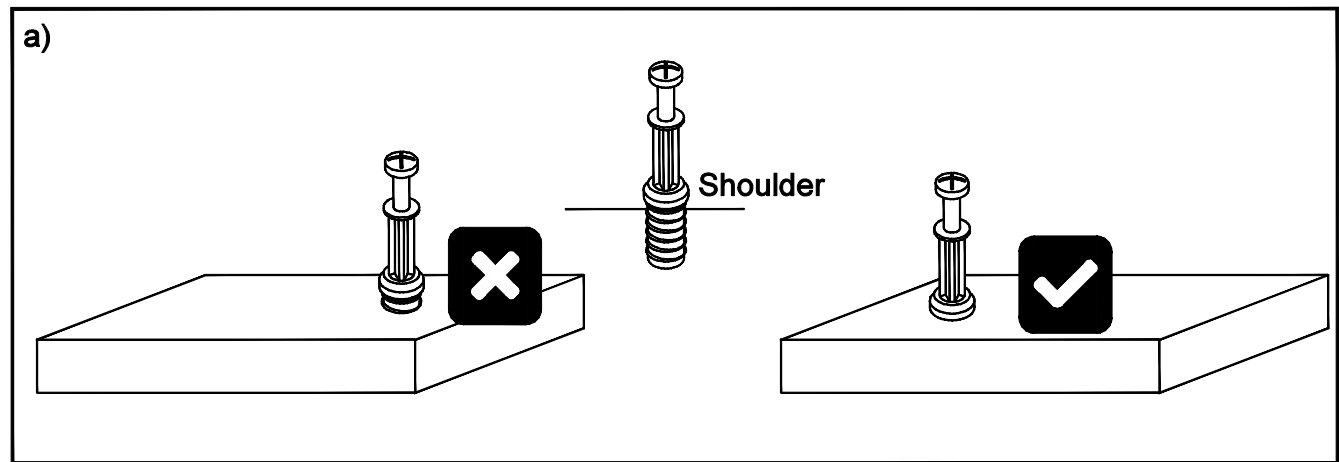


Quickfit/Cam Lock Guide

To use the quickfit/cam lock, first insert the quickfit into the panel. The “shoulder” of the quickfit should be flush against the panel, as shown in (a).

When inserting the cam lock, ensure the orientation is correct, as shown, so that it aligns properly with the quickfit, as shown in (b) and (c).

Once the panels have been connected, tighten the cam lock with a screwdriver (d).



Important Safety Information

IMPORTANT: Please read this manual carefully, and keep it for future reference.

- This piece of furniture is intended for use in domestic environments. It is not suitable for commercial, industrial or trade use. Do not use it for any other purpose, and only use it as described in this manual.
- Assembly to be carried out by a competent adult only. Please check all parts and hardware are available and undamaged before use.
- During assembly children should be kept away from the product due to possible risk of injury.
- Do not use this item if any components are missing or damaged.
- Regularly check all fastenings to ensure that they properly tightened.
- Do not use the unit outdoors. It is for indoor use only.
- Keep away from fire and heat sources.
- Be aware of the risk of open fires and other sources of strong heat in the vicinity of the product.
- Do not use this product in a bathroom or laundry, or where it can be splashed with water.
- This item of furniture is not intended to be assembled by persons (including children) with reduced physical, sensory or mental capabilities, or lack of experience and knowledge.
- Handle this product with care. Do not shake the product vigorously or drop it from an elevation. Doing so will damage the product or shorten its lifespan. Do not sit or stand on the item of furniture, which may lead to potential injury. Do not press hard on top of the unit or place very heavy things on top of it.
- Always place the product on a dry, stable, level and horizontal surface. Never place it on an inclined or uneven surface.
- Do not locate the item of furniture near appliances that get hot during use, such as heaters, ovens or fireplaces. Avoid long-term exposure to direct sunshine.
- We accept no responsibility for any eventual injury or damage caused by improper installation, misuse or noncompliance with the instructions.
- These instructions are not intended to cover every possible condition and situation. As with any product, common sense and caution are therefore always recommended when assembling, using and maintaining the item of furniture.
- Do not over-tighten fixtures.
- Power tools are not recommended for assembly.
- This item of furniture is heavy - take care when moving it. Multiple people or a mechanical aid may be required.

Important Safety Information

- **CAUTION:** Do not allow children to climb on this furniture - it may topple over and badly injure a child. Do not place toys or other items that may appeal to a child on top of this furniture item.
- **CAUTION:** Attachment of this item of furniture must be attached to an appropriate structural component of the building using suitable means, as advised by a qualified tradesperson, is strongly recommended.

Care and Maintenance:

- Ensure that all fastenings and fixtures have been sufficiently tightened. You may need to re-tighten periodically, as necessary.
- To clean, wipe clean with a damp cloth, before drying thoroughly.
- Do not place hot or wet items on the surface.
- Do not drag or pull your furniture.

Responsible disposal



Packaging materials are recyclable. Please dispose of them responsibly for recycling.



At the end of its working life, do not throw this item of furniture out with your household waste. Please dispose of this product at your local community's waste collection/ recycling centre. Observe any local regulations regarding the disposal of this type of product.









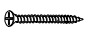





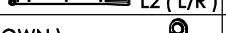

NOTE: Due to continued product improvement, images and illustrations in this manual may vary slightly from the product purchased. All images in this set of assembly instructions are for reference purposes only. Parts are not necessarily pictured to scale.


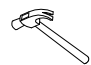
ASSEMBLY INSTRUCTIONS

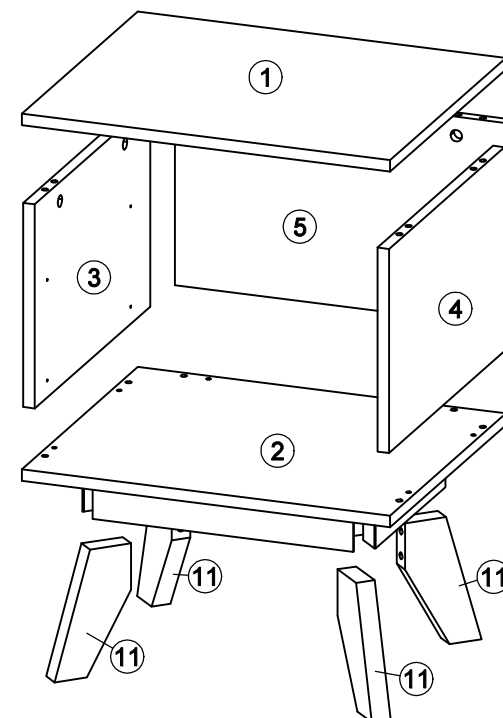
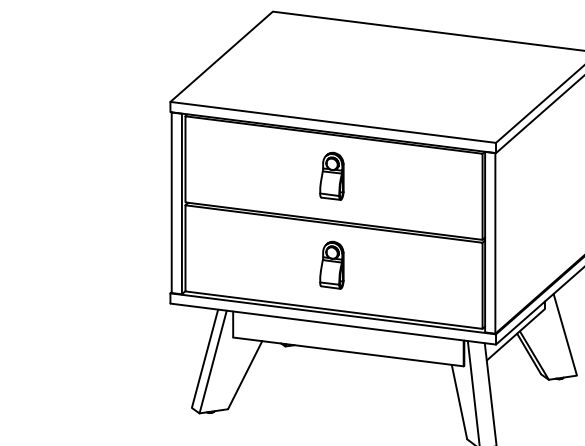
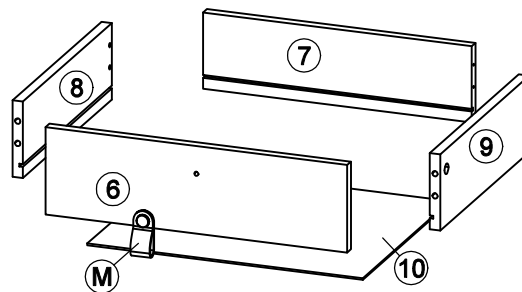
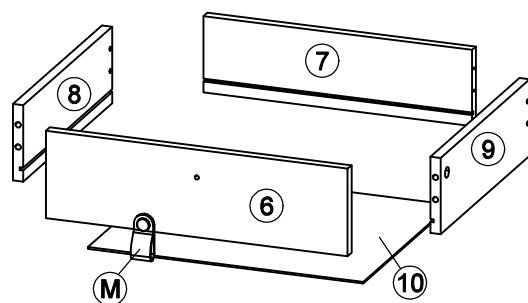
Before you begin, please follow assembly instructions carefully, then follow them step by step.

Read instruction carefully . See Furniture Parts list and Hardware List for guidance . Be sure you have all parts before you start assembling . Place and assemble furniture on a clean flat soft surface , such as carpet or rug to prevent being scratched .

PART LIST		QTY
1	TOP PANEL	1 PC
2	BOTTOM PANEL	1 PC
3	SIDE PANEL (L)	1 PC
4	SIDE PANEL (R)	1 PC
5	BACK PANEL	1 PC
6	DRAWER FRONT	2 PCS
7	DRAWER BACK	2 PCS
8	DRAWER SIDE (L)	1 PC
9	DRAWER SIDE (R)	1 PC
10	DRAWER BOTTOM	2 PCS
11	CABINET LEG	4 PCS

HARDWARE				
A	MINI FIX	A1  A2  A3 		10 SETS
B	M8 X 30MM WOOD DOWEL			16 PCS
C	M6 X 50MM CSK CAP WOOD SCREW			6 PCS
D	ALLEN KEY M4			1 PC
E	M3.5 X 16MM C.B SCREW			24 PCS
F	HANDLE SCREW M4 x 16MM			2 PCS
G	M4 X 38MM C.B SCREW			8 PCS
H	5/8 PVC NAIL LEG			4 PCS
I	JCBC SCREW M6 X 50MM			8 PCS
J	SPRING WASHER M6			8 PCS
K	FLAT WASHER M6			8 PCS
L	14" DRAWER SLIDE	L1 (L/R)  L2 (L/R) 		2 SETS
M	HANDLE C6685 (BROWN)			2 PCS

SELF-PREPARED TOOLS: Tools below are NOT included in package.	
 SCREWDRIVER	 HAMMER



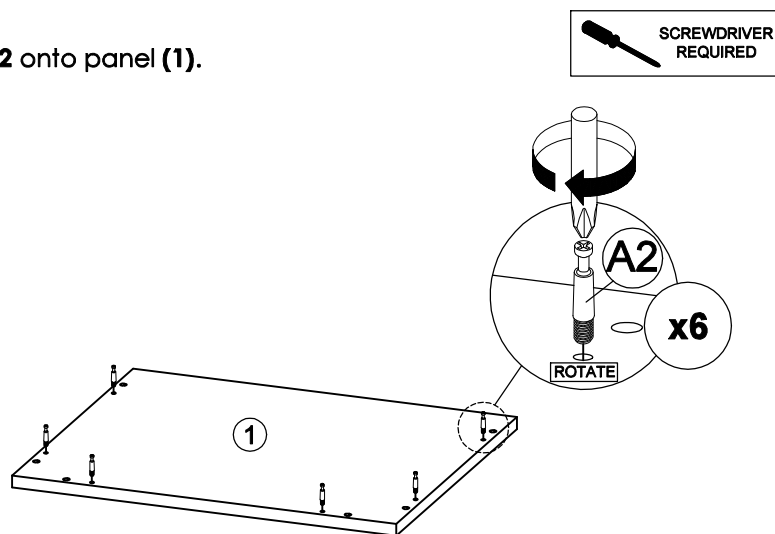
Reminder:

Please ensure that all surfaces and edges with colours/laminations are facing forward/outward.

ASSEMBLY INSTRUCTIONS

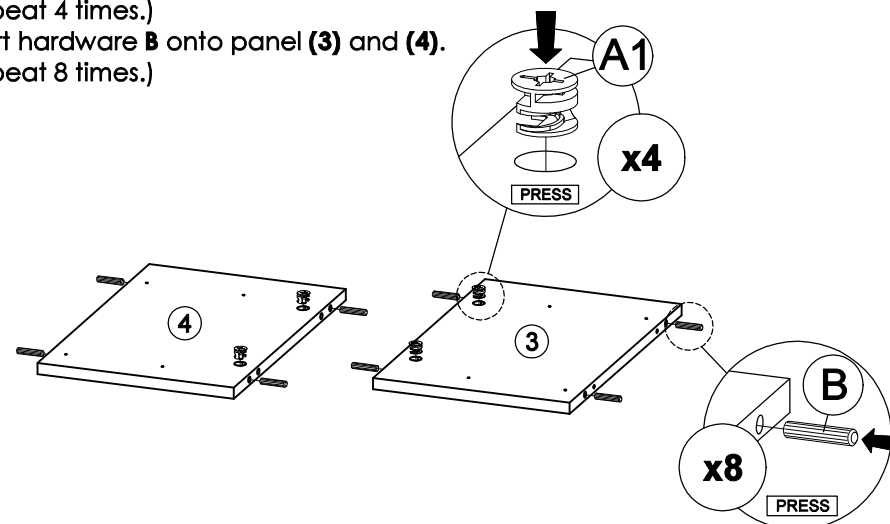
STEP 1

Insert hardware **A2** onto panel (1).
(Repeat 6 times.)



STEP 2

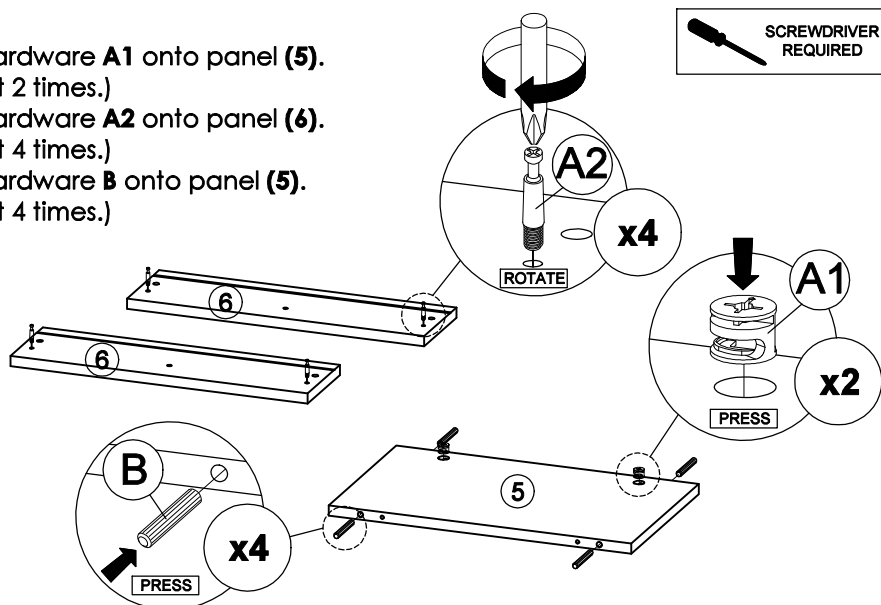
- Insert hardware **A1** onto panel (3) and (4).
(Repeat 4 times.)
- Insert hardware **B** onto panel (3) and (4).
(Repeat 8 times.)



* Ensure the arrows on hardware **A1** point towards mounting positions.

STEP 3

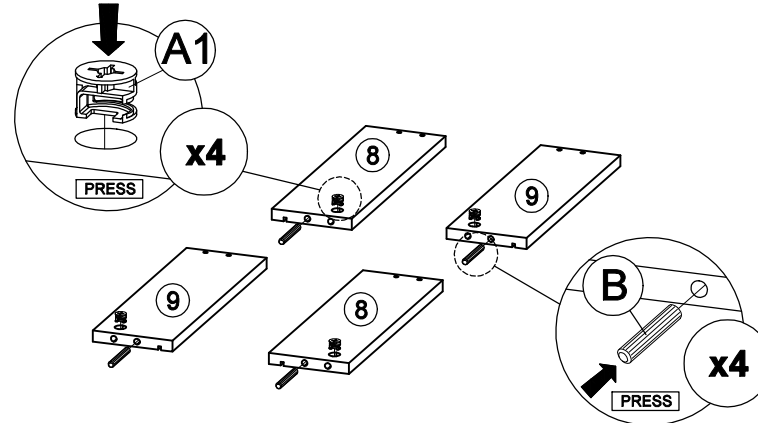
- Insert hardware **A1** onto panel (5).
(Repeat 2 times.)
- Insert hardware **A2** onto panel (6).
(Repeat 4 times.)
- Insert hardware **B** onto panel (5).
(Repeat 4 times.)



* Ensure the arrows on hardware **A1** point towards mounting positions.

STEP 4

- Insert hardware **A1** onto panel (8) and (9).
(Repeat 4 times.)
- Insert hardware **B** onto panel (8) and (9).
(Repeat 4 times.)

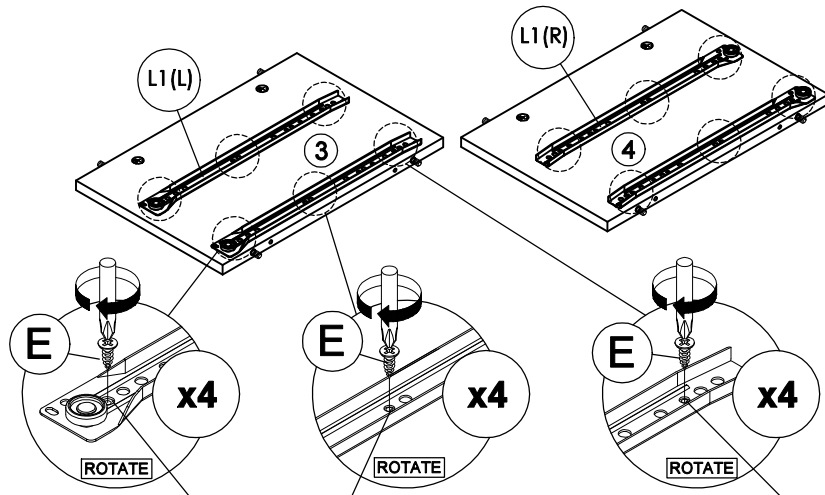


* Ensure the arrows on hardware **A1** point towards mounting positions.

ASSEMBLY INSTRUCTIONS

STEP 5

Fix hardware **L1 (L/R)** into panel **(3)** and **(4)** with hardware **E**.
(Repeat 3 times for each hardware.)



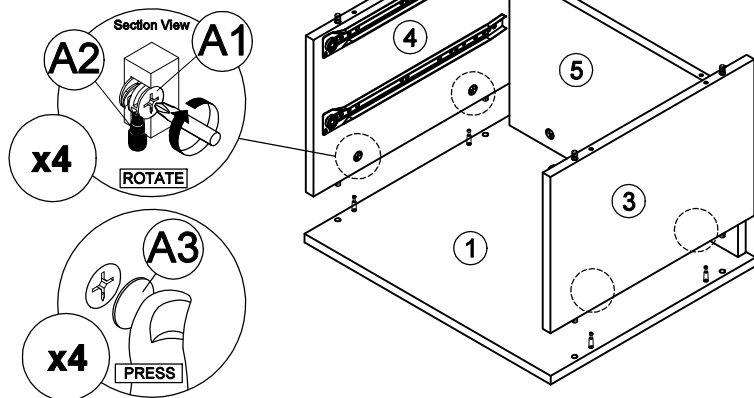
First hole from the edge. Small hole at the center. Third hole from the edge.

STEP 7

- Attach panel **(3)** and **(4)** to panel **(1)**.
- Insert all hardware **A2** into **A1**.
- Rotate all **A1** until tight.
- Apply **A3** onto all **A1**.
(Repeat 4 times.)



OR



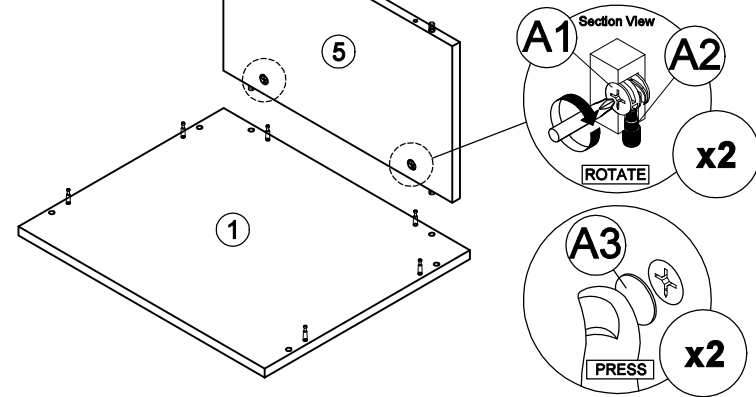
* In this step hardware **A1**, **A2** and **B** are pre-inserted.

STEP 6

- Attach panel **(5)** to panel **(1)**.
- Insert all hardware **A2** into **A1**.
- Rotate all **A1** until tight.
- Apply **A3** onto all **A1**.
(Repeat 2 times.)



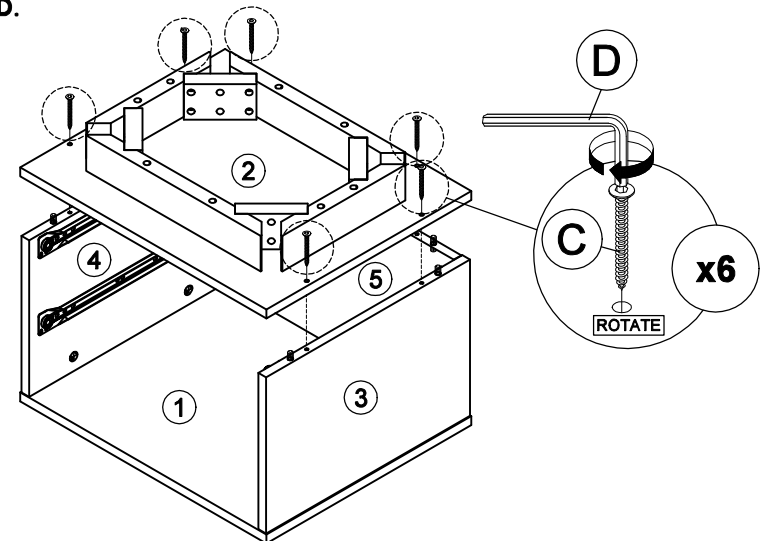
OR



* In this step hardware **A1**, **A2** and **B** are pre-inserted.

STEP 8

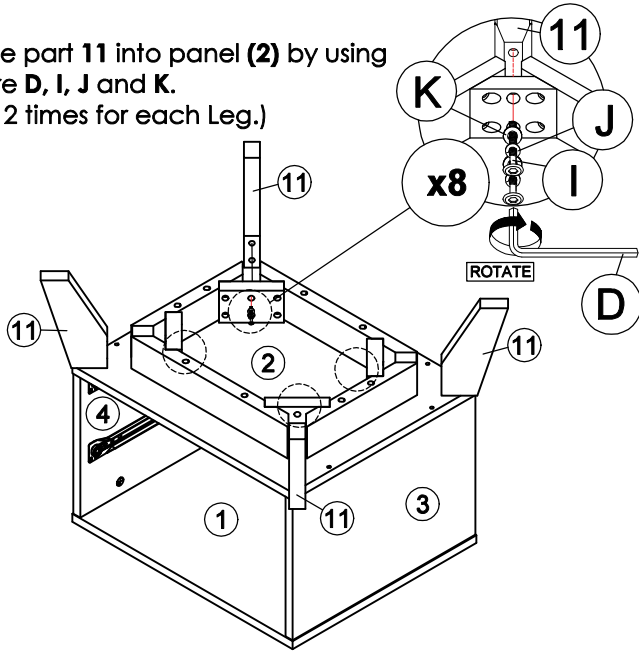
Connect panel **(2)** to panel **(3)**, **(4)** and **(5)** by using hardware **C** and **D**.
(Repeat 6 times.)



ASSEMBLY INSTRUCTIONS

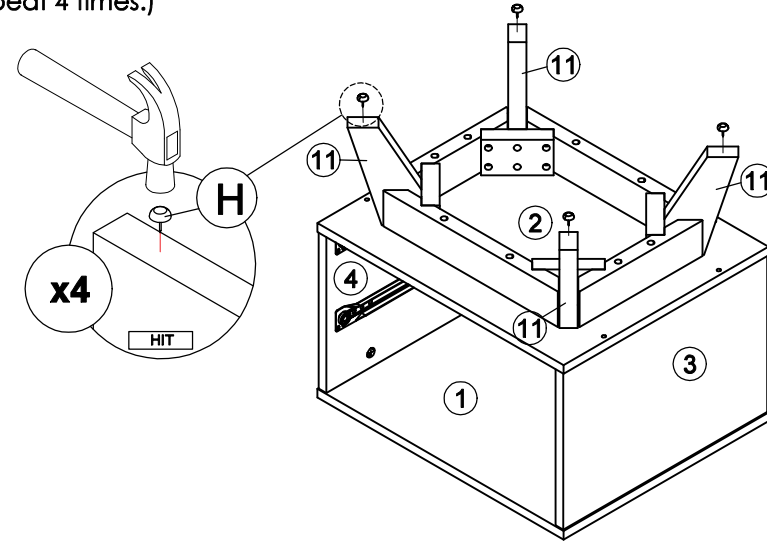
STEP 9

Assemble part **11** into panel **(2)** by using hardware **D**, **I**, **J** and **K**.
(Repeat 2 times for each Leg.)



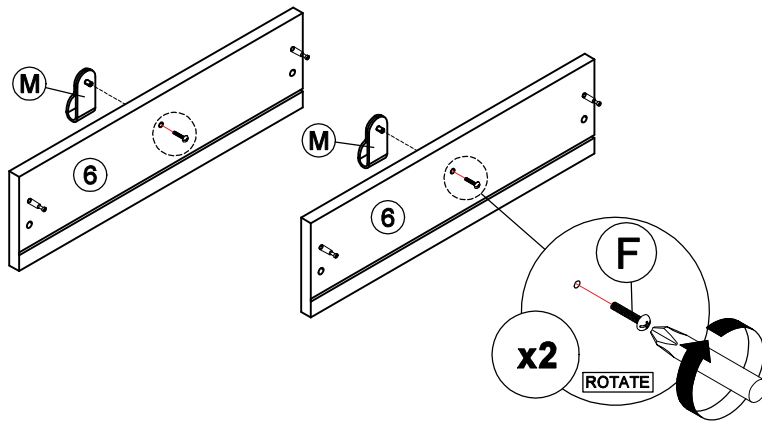
STEP 10

Hit hardware **H** into bottom of part **(11)**.
(Repeat 4 times.)



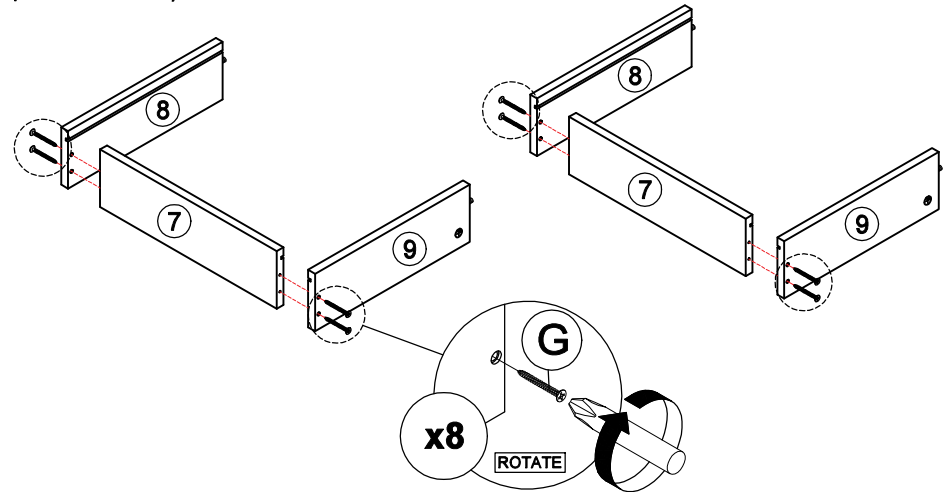
STEP 11

Fix hardware **M** onto panel **(6)** by using hardware **F**.
(Repeat 1 times for each hardware.)



STEP 12

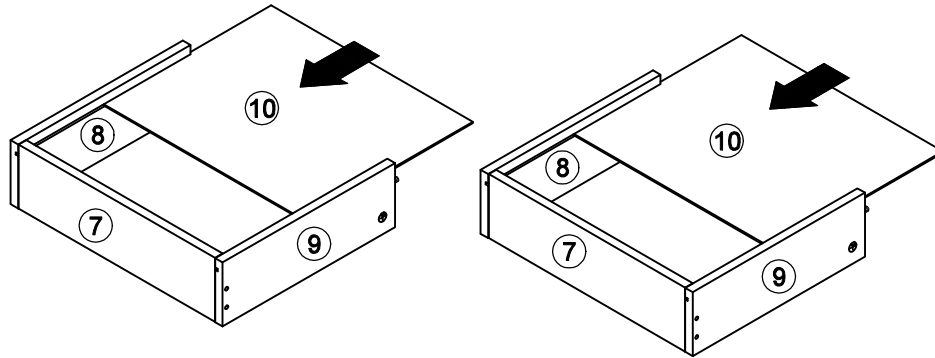
Assemble panel **(7)** with panel **(8)** and **(9)**
by using hardware **G**.
(Repeat 8 times.)



ASSEMBLY INSTRUCTIONS

STEP 13

Insert the panel (10) along the slot.
(Repeat 2 times.)

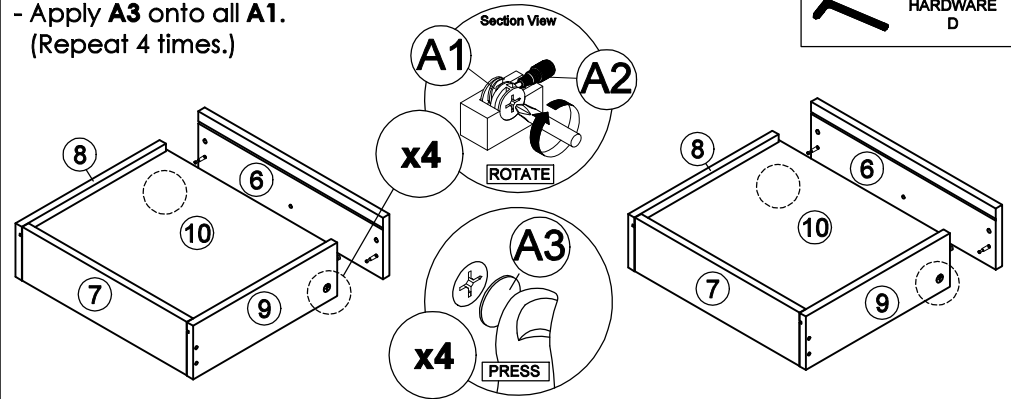


STEP 14

- Attach panel (6) to panel (8) and (9).
- Insert all hardware A2 into A1.
- Rotate all A1 until tight.
- Apply A3 onto all A1.
- (Repeat 4 times.)



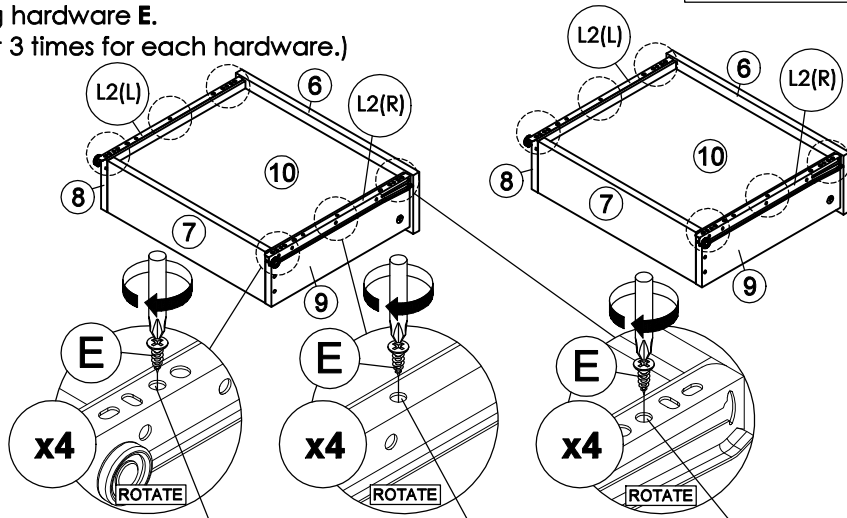
OR



* In this step hardware A1, A2 and B are pre-inserted.

STEP 15

Assemble hardware L2 (L/R) to panel (8) and (9)
by using hardware E.
(Repeat 3 times for each hardware.)

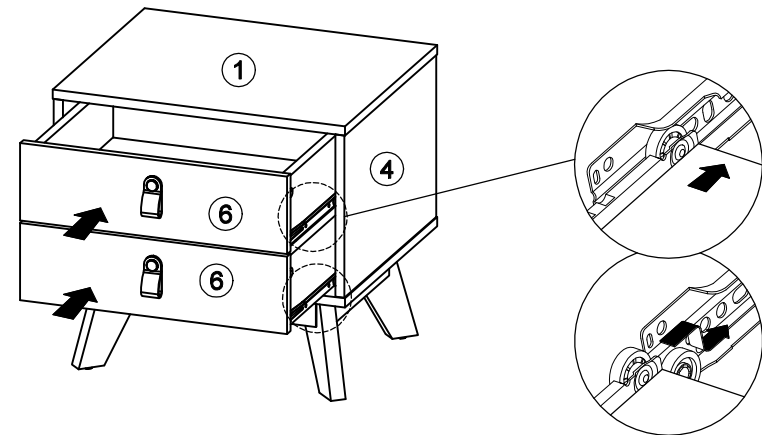


Third hole from the edge. Hole at the center. Third hole from the edge.

*Hardware L2 (L/R) shall be leaning against panel (6) when assembling.

STEP 16

Put all the drawer in place along the drawer slides.



* Maximum recommended weight is 10kg on top and 5kg per drawer.

Warranty returns

Should you for any reason need to return this product for a warranty claim, make sure to include all accessories with the product.

Product does not work?

If you encounter problems with this product, or if it fails to perform to your expectations, make sure to contact our After Sales Support Centre on (AU) 1300 886 649 or (NZ) 0800 836 761 for advice.

For an electronic copy of this manual, please contact our after sales support centre.

Distributed by Tempo (Aust) Pty Ltd ABN 70 106 100 252

PO BOX 132, Frenchs Forest NSW 1640, Australia

Customer Helpline:

(AU) 1300 886 649 (NZ) 0800 836 761

Web Support: tempo.org/support