

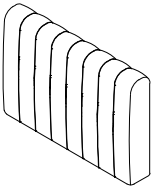
MAINTAINANCE AND WARNING

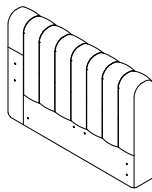
- 1.Keep furniture away from heat sources.
- 2.Do not clean furniture with harsh cleaner or polishes.Do not use detergents,solvents,abrasives,spray packs or leather cleaner. Use non-color mild soa with warm water to clean spills(Mix 1:10 soap to water).
- 3.Do not place furniture under direct sunlight,material will possibly fade over time.
- 4.Do not use on site dry cleaning machine.Children should not climb or jump on the furniture.
- 5.Do not write on furniture that is not protectedby a padded barrier.
- 6.Not for commercial use,only for residential use.

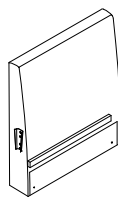


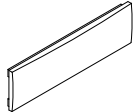
Weight Limitation
250 LBS

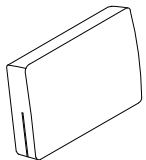
PARTS LIST

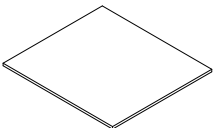
| | |
|---|----|
| A | x1 |
|  | |
| Left arm | |

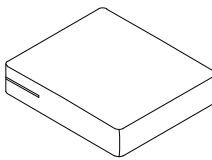
| | |
|---|----|
| B | x1 |
|  | |
| Right arm | |

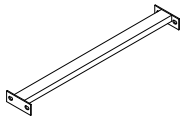
| | |
|---|----|
| C | x1 |
|  | |
| Back | |

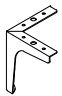
| | |
|--|----|
| D | x1 |
|  | |
| Front rail | |

| | |
|---|----|
| E | x1 |
|  | |
| Back Cushion | |

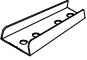
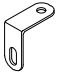


| | |
|---|----|
| F | x1 |
|  | |
| Seat board | |

| | |
|---|----|
| G | x1 |
|  | |
| Seat Cushion | |

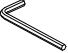
| | |
|--|----|
| H | x1 |
|  | |
| Metal bar | |

| | |
|--|----|
| I | x4 |
|  | |
| Legs | |


HARDWARE LIST

| | | | | | | | |
|---|----|---|----|---|----|---|-----|
| #1 | x2 | #2 | x2 | #3 | x2 | #4 | x28 |
|  | |  | |  | |  | |
| Bracket | | L bracket | | L bracket | | Bolt | |
| | | | | | | $\phi 6*20\text{mm}$ | |

TOOL LIST

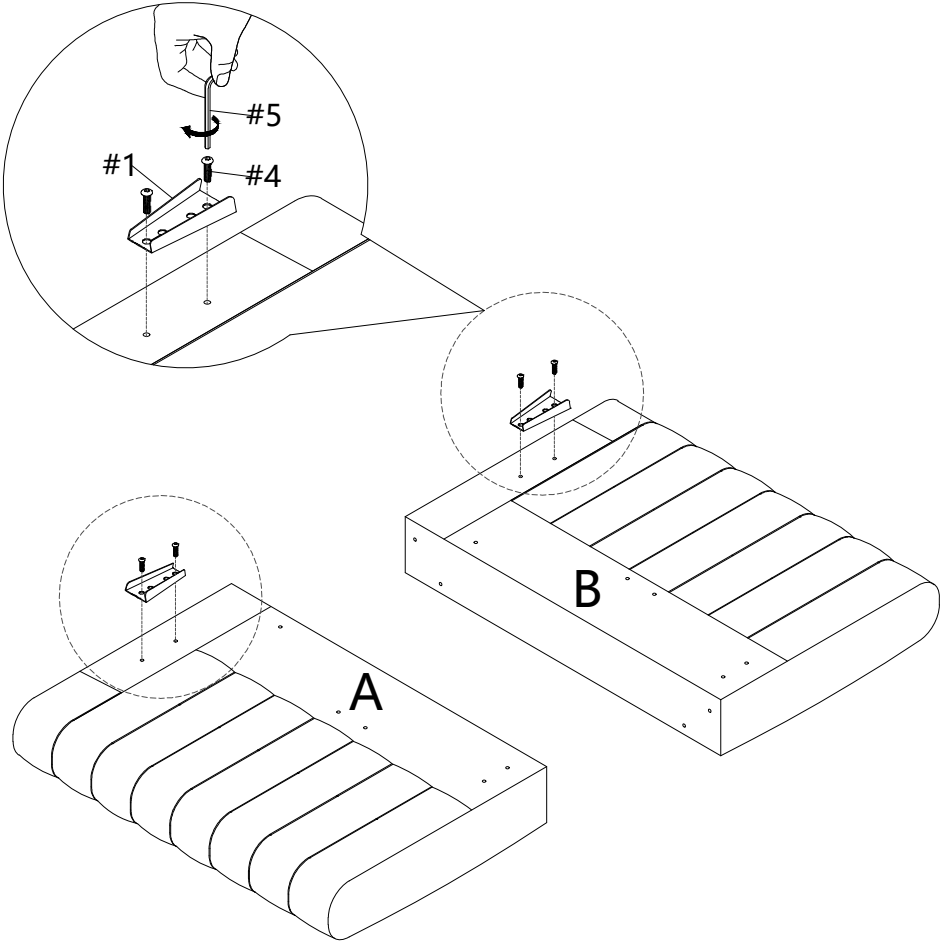
| | |
|---|----|
| #5 | x1 |
|  | |
| Allen key | |
| M6 | |


HARDWARE SPARE LIST

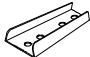
| | |
|---|----|
| #4 | x1 |
|  | |
| Bolt | |
| $\phi 6*20\text{mm}$ | |

ASSEMBLY INSTRUCTIONS

STEP-1



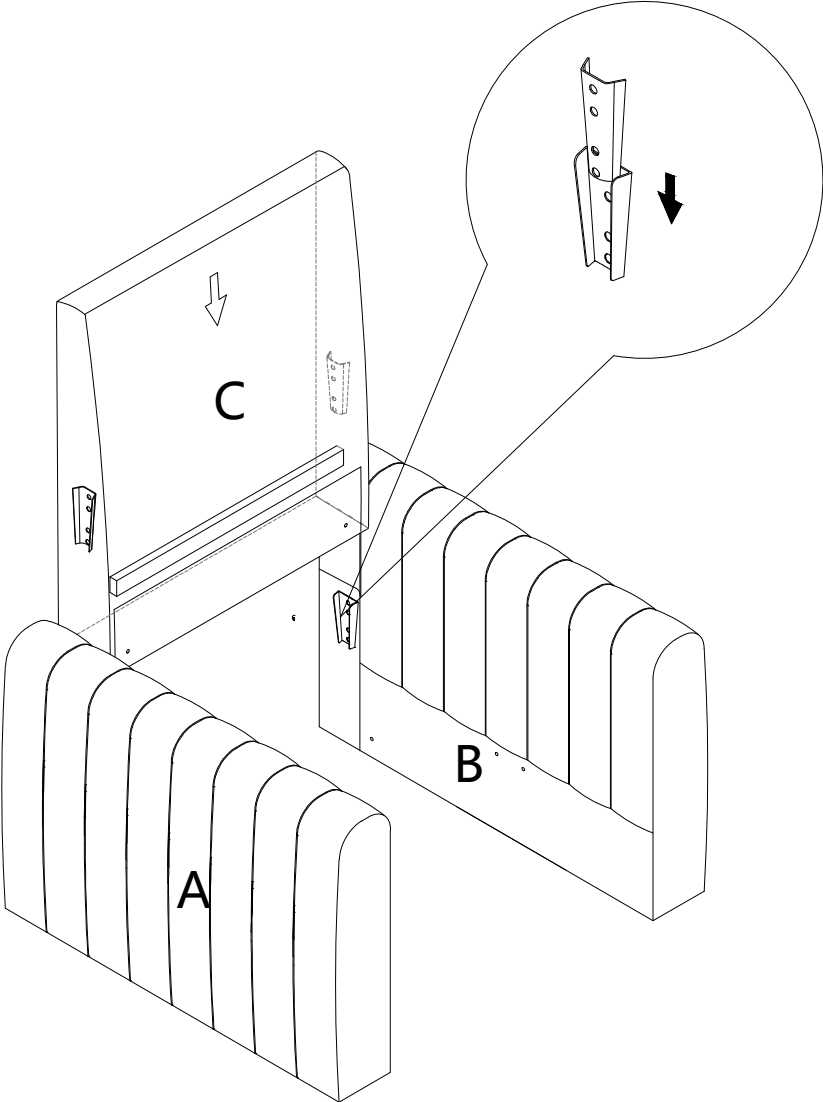
| | |
|---|----|
| #4 | x4 |
|  | |
| Bolt Ø6*20mm | |

| | |
|---|----|
| #1 | x2 |
|  | |
| Bracket | |

| | |
|--|----|
| #5 | x1 |
|  | |
| Allen key M6 | |

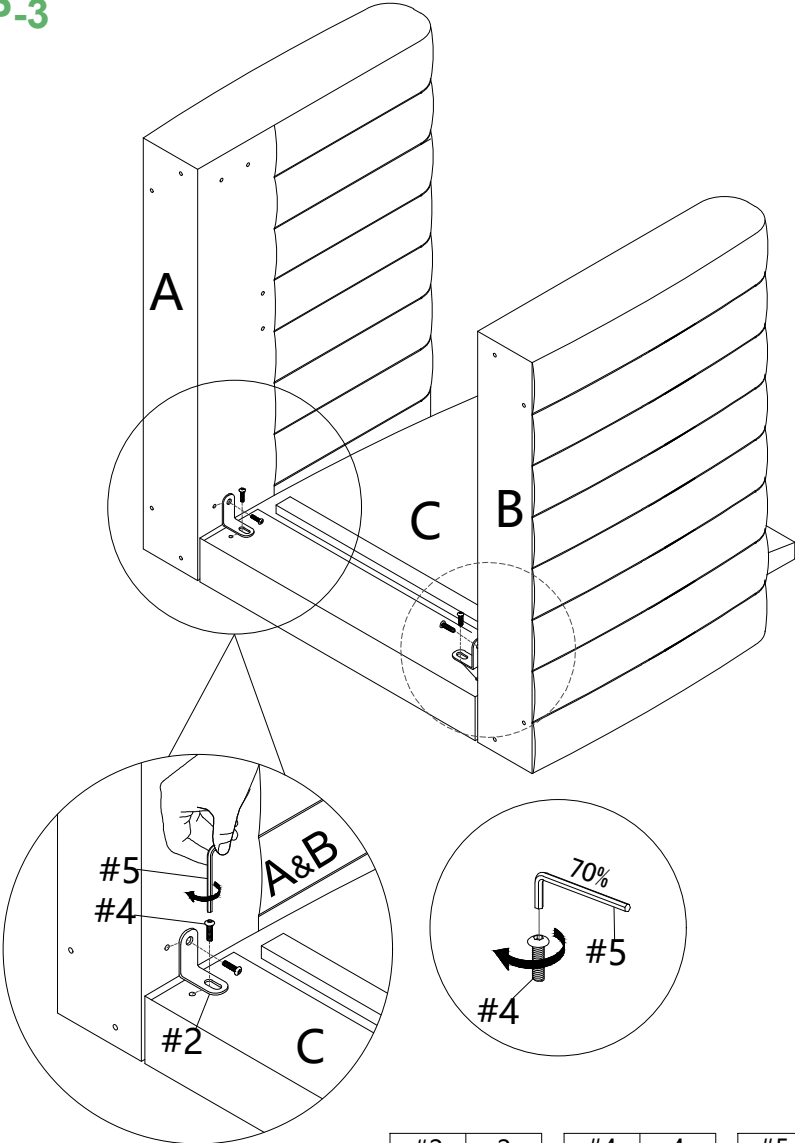
ASSEMBLY INSTRUCTIONS

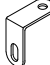
STEP-2





ASSEMBLY INSTRUCTIONS

STEP-3



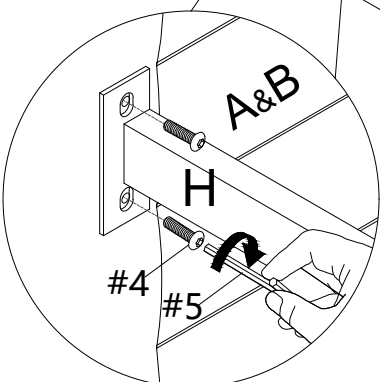
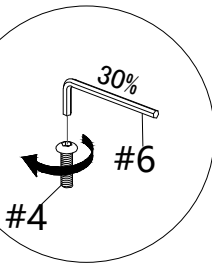
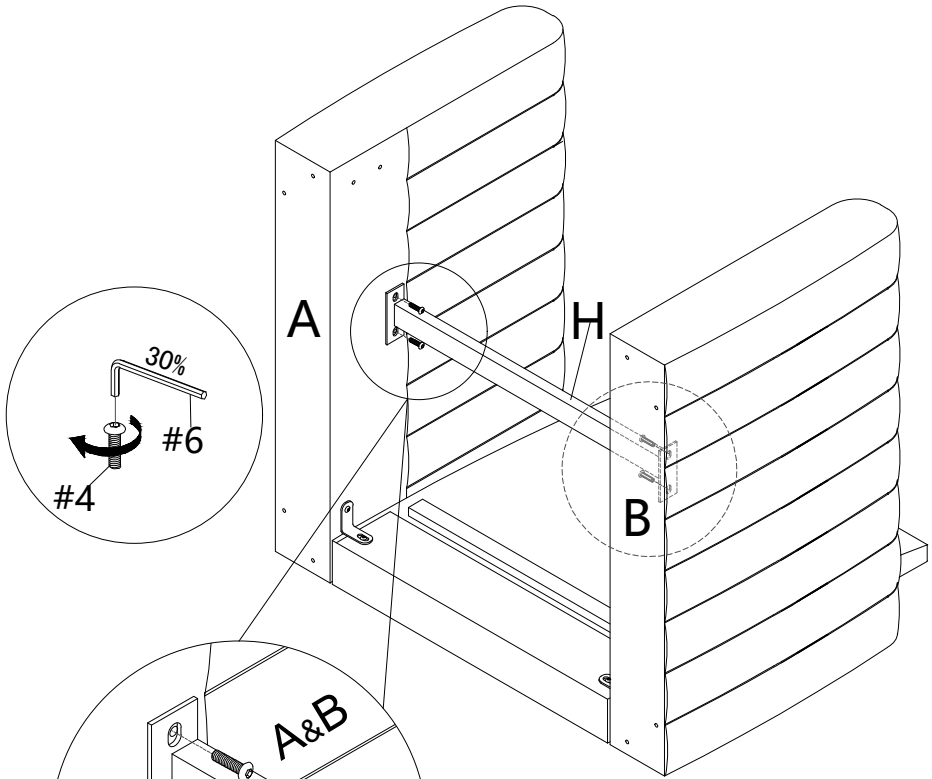
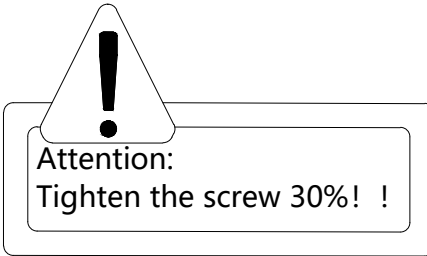
| | |
|---|----|
| #2 | x2 |
|  | |
| L bracket | |


| | |
|---|----|
| #4 | x4 |
|  | |
| Bolt | |
| $\phi 6*20\text{mm}$ | |


| | |
|--|----|
| #5 | x1 |
|  | |
| Allen key | |
| M6 | |

ASSEMBLY INSTRUCTIONS

STEP-4

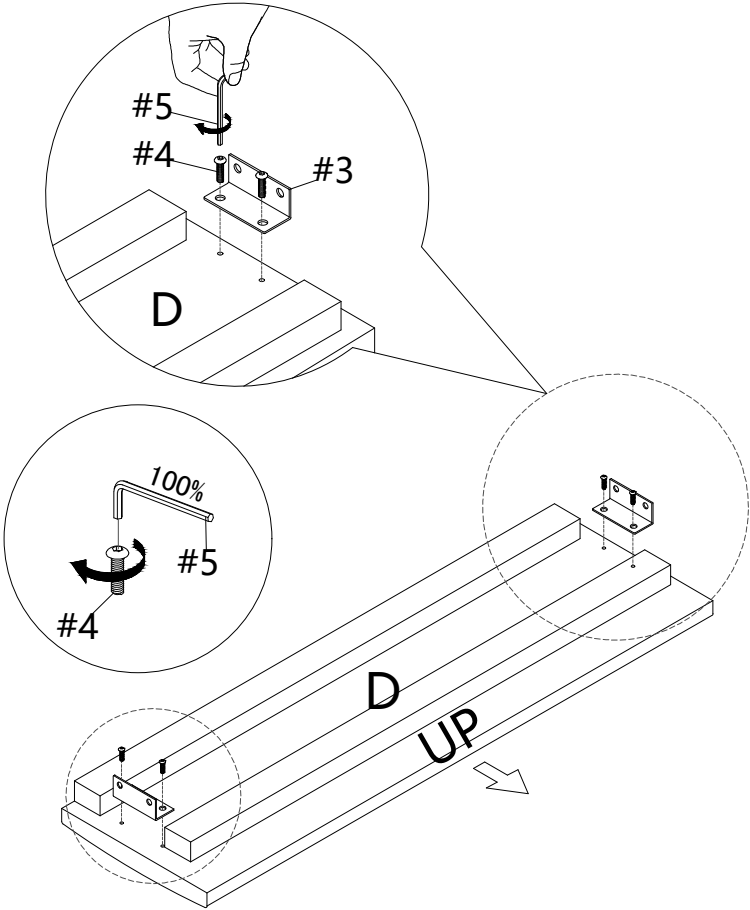



| | |
|---|----|
| #4 | x4 |
|  | |
| Bolt | |
| Ø6*20mm | |


| | |
|--|----|
| #5 | x1 |
|  | |
| Allen key | |
| M6 | |

ASSEMBLY INSTRUCTIONS

STEP-5



| | |
|---|----|
| #3 | x2 |
|  | |
| L bracket | |

| | |
|---|----|
| #4 | x4 |
|  | |
| Bolt φ6*20mm | |

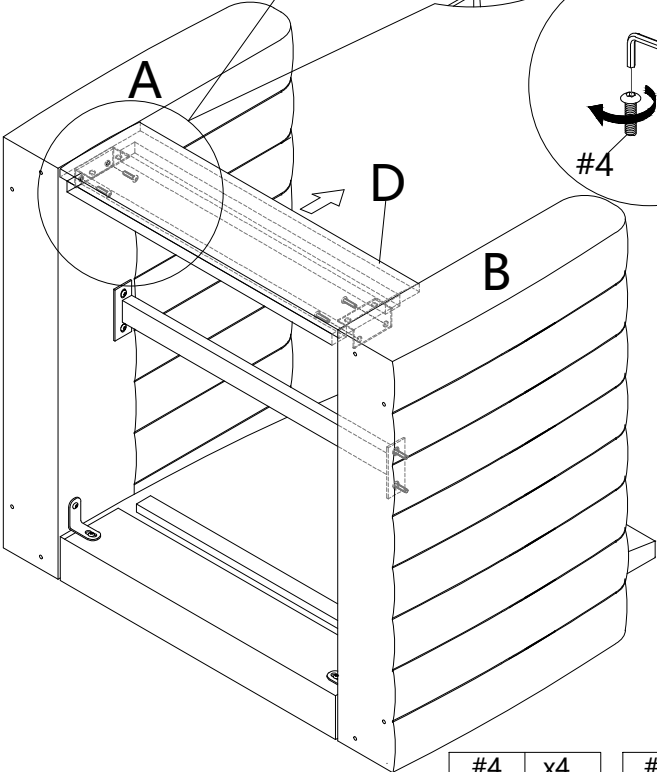
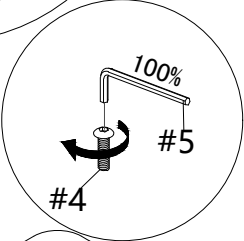
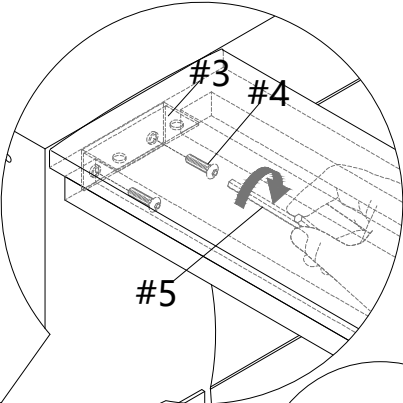
| | |
|--|----|
| #5 | x1 |
|  | |
| Allen key M6 | |


ASSEMBLY INSTRUCTIONS

STEP-6



Attention:
Tighten all the screws!!

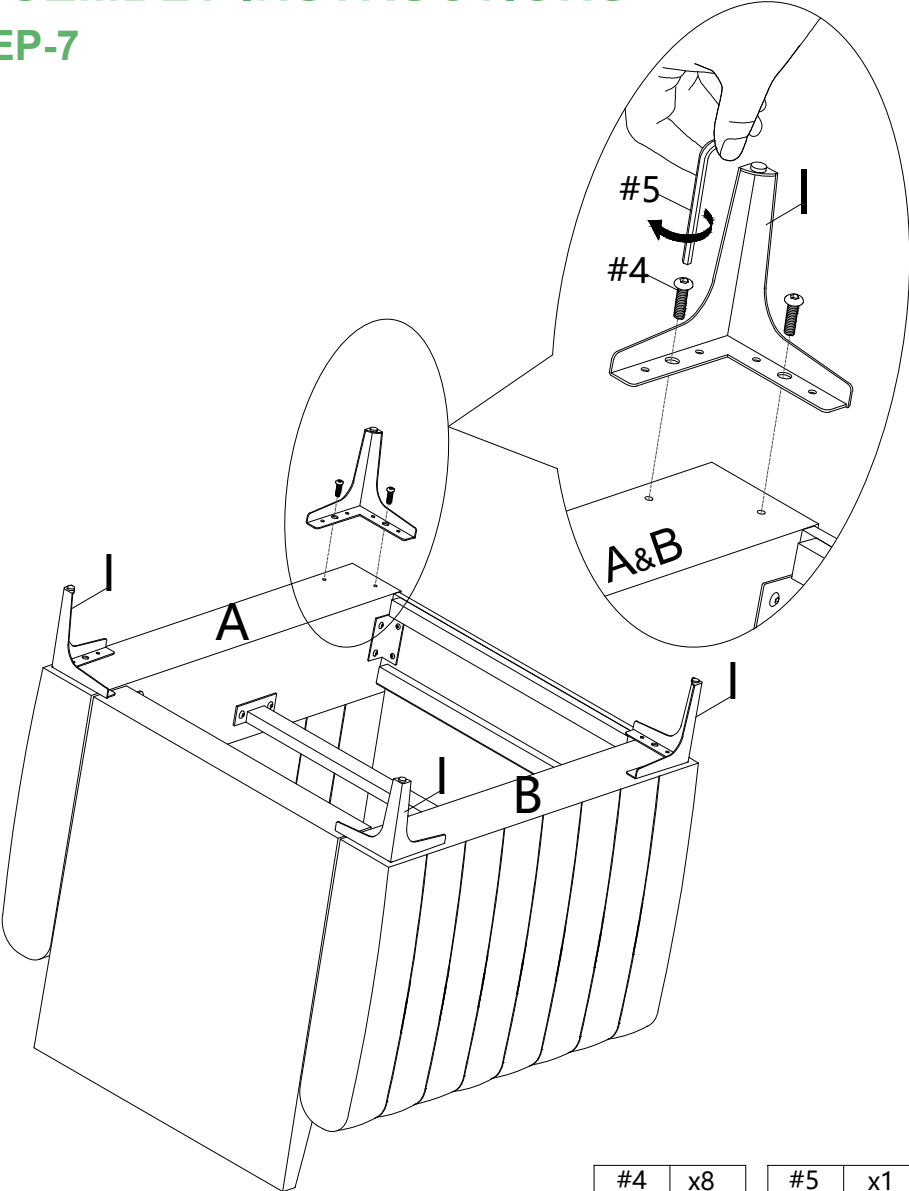



| | |
|---|----|
| #4 | x4 |
|  | |
| Bolt | |
| Ø6*20mm | |

| | |
|--|----|
| #5 | x1 |
|  | |
| Allen key | |
| M6 | |

ASSEMBLY INSTRUCTIONS

STEP-7

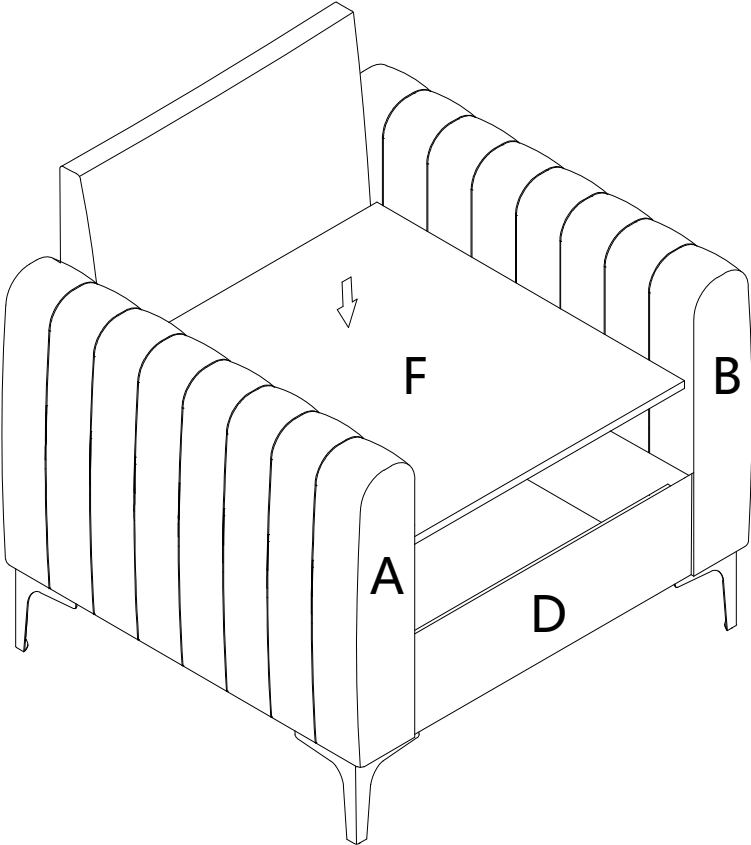


| #4 | x8 |
|---|----|
|  | |
| Bolt | |
| Φ6*20mm | |

| #5 | x1 |
|--|----|
|  | |
| Allen key | |
| M6 | |

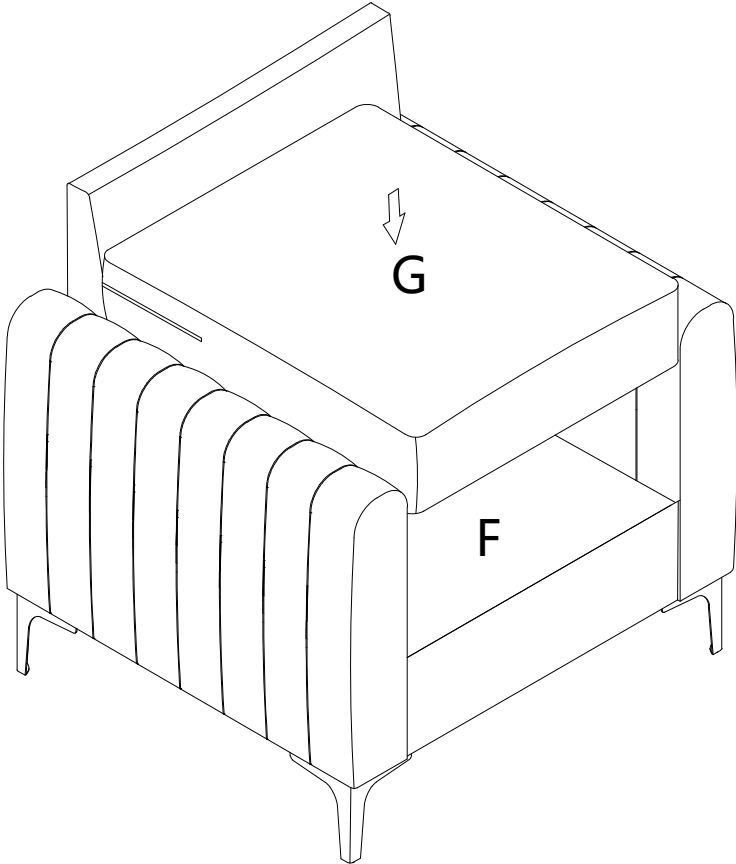
ASSEMBLY INSTRUCTIONS

STEP-8



ASSEMBLY INSTRUCTIONS

STEP-9



ASSEMBLY INSTRUCTIONS

STEP-10

