

MAINTAINANCE AND WARNING

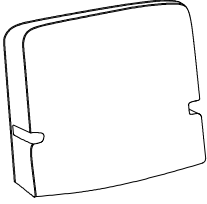

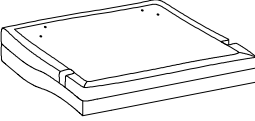
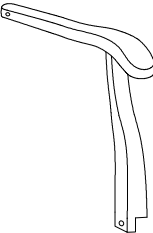
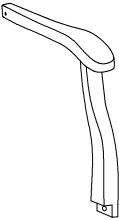

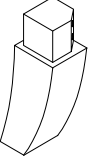
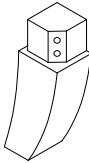
- 1.Keep furniture away from heat sources.
- 2.Do not clean furniture with harsh cleaner or polishes.Do not use detergents,solvents,abrasives,spray packs or leather cleaner. Use non-color mild soa with warm water to clean spills(Mix 1:10 soap to water).
- 3.Do not place furniture under direct sunlight,material will possibly fade over time.
- 4.Do not use on site dry cleaning machine.Children should not climb or jump on the furniture.
- 5.Do not write on furniture that is not protectedby a padded barrier.
- 6.Not for commercial use,only for residential use.



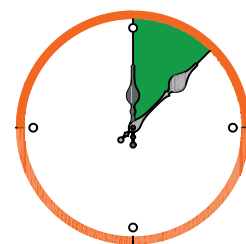
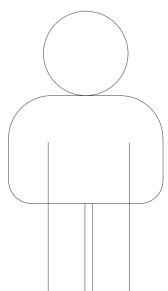
Weight Limitation

300 LBS

PARTS LIST

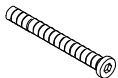

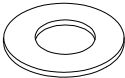
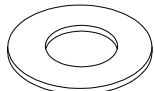
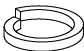

A	x1	B	x1	C	x1	D	x1
							
Back		Seat Cushion		Seat Frame		Left arm	
E	x1	F	x2	G	x1	H	x1
							
Right arm		Front Legs		Right Back Leg		Left Back Leg	

1 Person

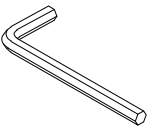


Around 30 min

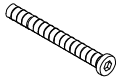

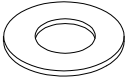
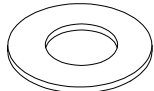
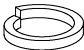

HARDWARE LIST

①	x16	②	x2	③	x12	④	x4	⑤	x16	⑥	x2
											
M8*65mm Bolt		M8*45mm Bolt		M8*22mm Flat washer		M8*30mm Flat washer		M8 Spring washer		wooden plug	

TOOL LIST

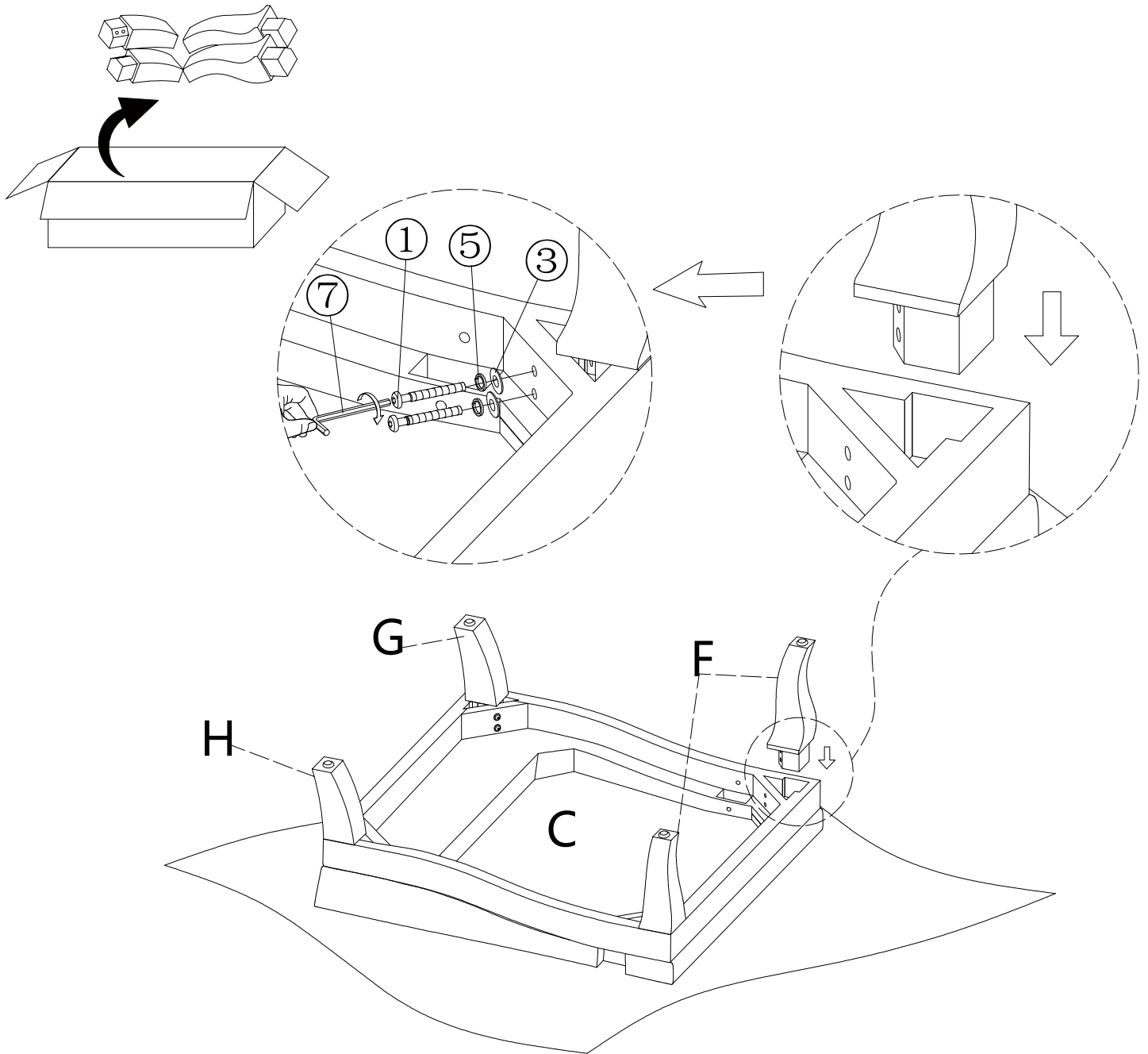
⑦	x1
	
M6 Allen Key	

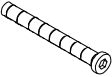
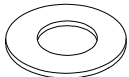

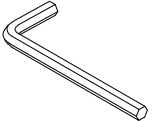
HARDWARE SPARE LIST

①	x1	②	x1	③	x1	④	x1	⑤	x1	⑥	x1
											
M8*65mm Bolt		M8*45mm Bolt		M8*22mm Flat washer		M8*30mm Flat washer		M8 Spring washer		wooden plug	

ASSEMBLY INSTRUCTIONS

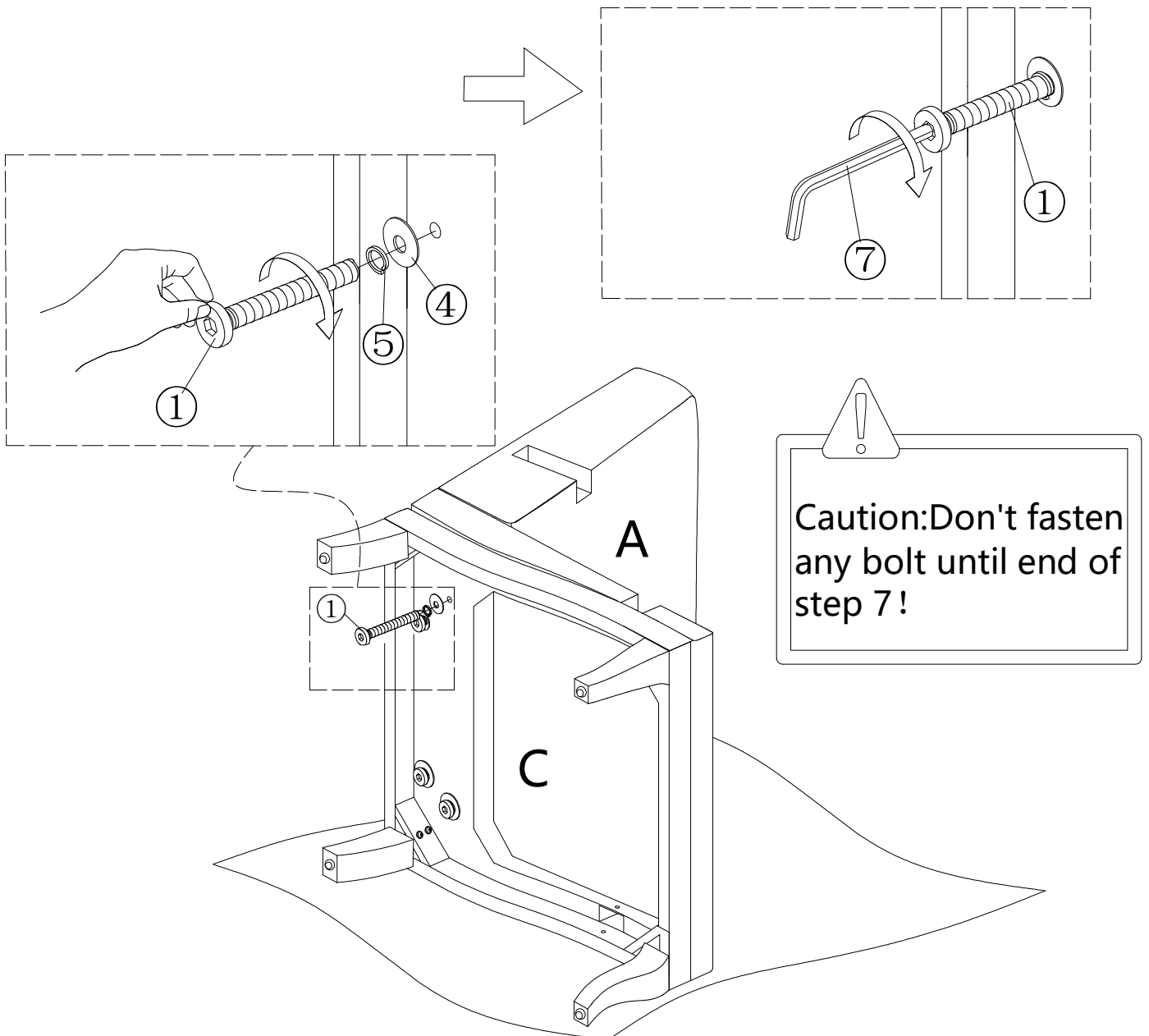
STEP-1

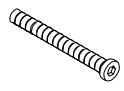


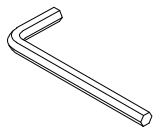


①	x8	③	x8	⑤	x8	⑦	x1
							
M8*65mm Bolt		M8*22mm Flat washer		M8 Spring washer		M6 Allen Key	

ASSEMBLY INSTRUCTIONS

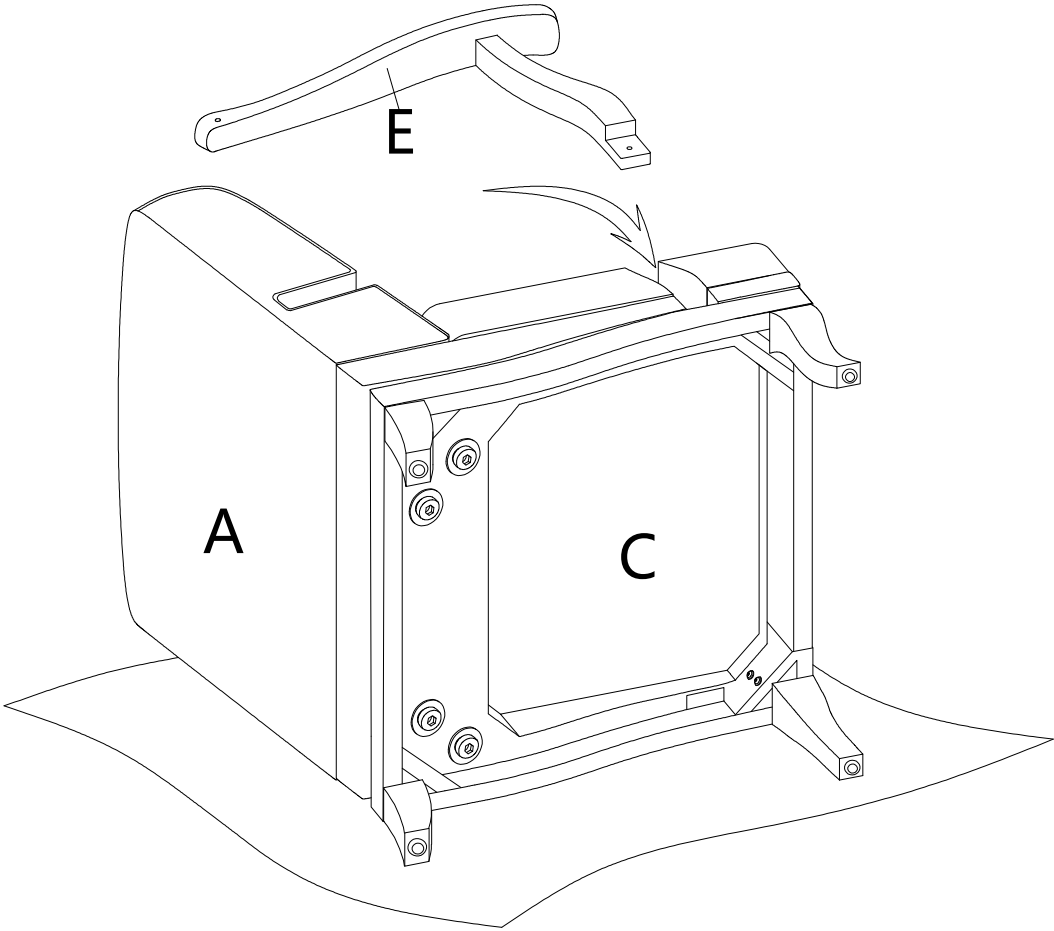
STEP-2



①	x4	④	x4	⑤	x4	⑦	x1
							
M8*65mm Bolt		M8*30mm Flat washer		M8 Spring washer		M6 Allen Key	

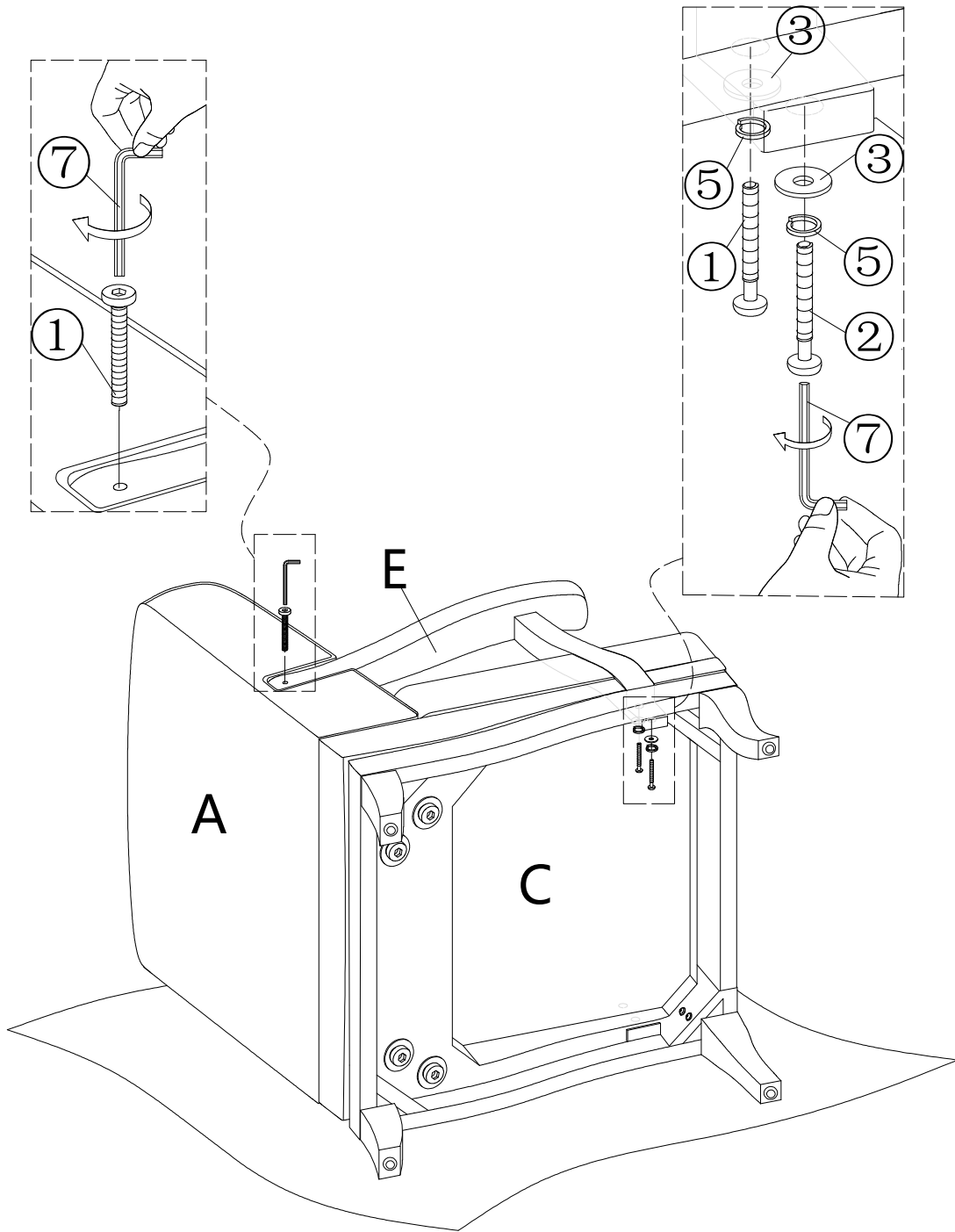
ASSEMBLY INSTRUCTIONS

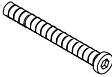
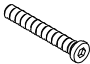
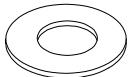

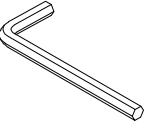
STEP-3



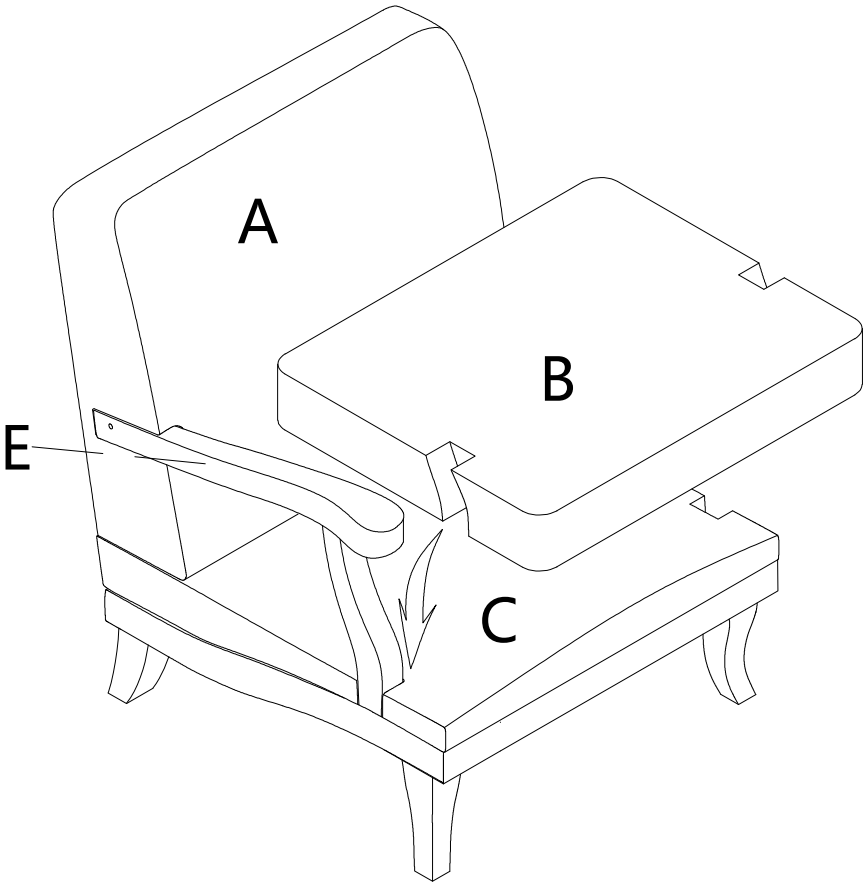
ASSEMBLY INSTRUCTIONS

STEP-4



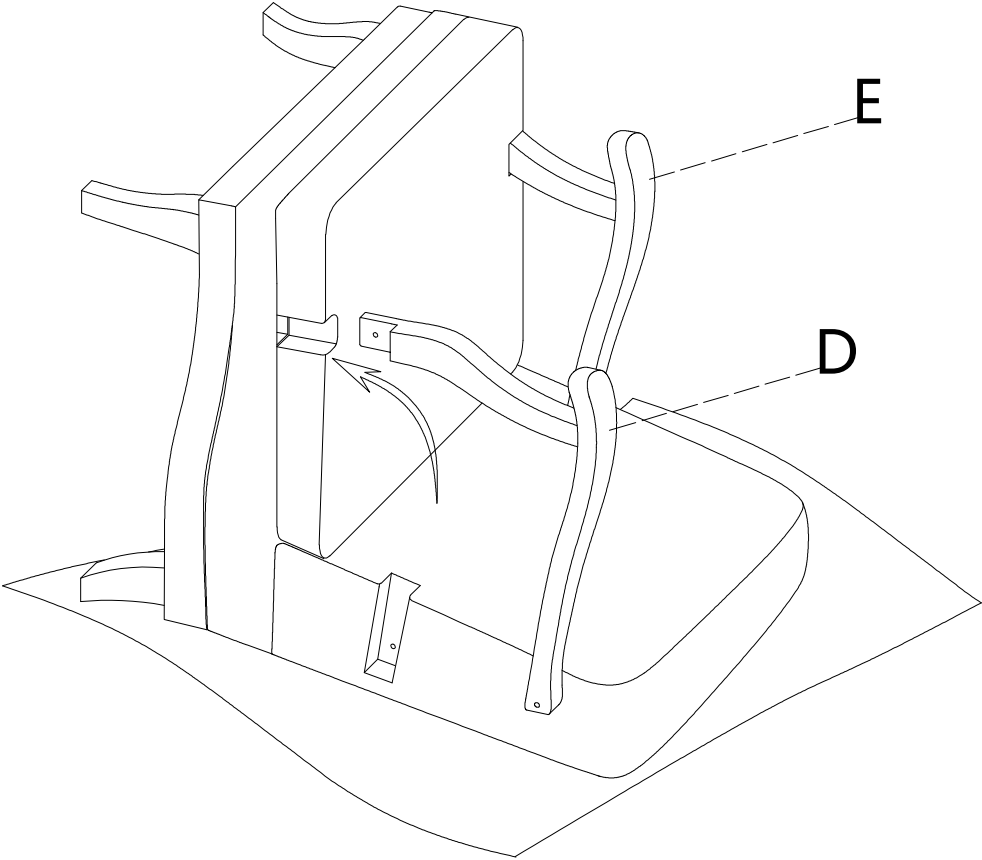
①	x2	②	x1	③	x2	⑤	x2	⑦	x1
									
M8*65mm Bolt		M8*45mm Bolt		M8*22mm Flat washer		M8 Spring washer		M6 Allen Key	

ASSEMBLY INSTRUCTIONS



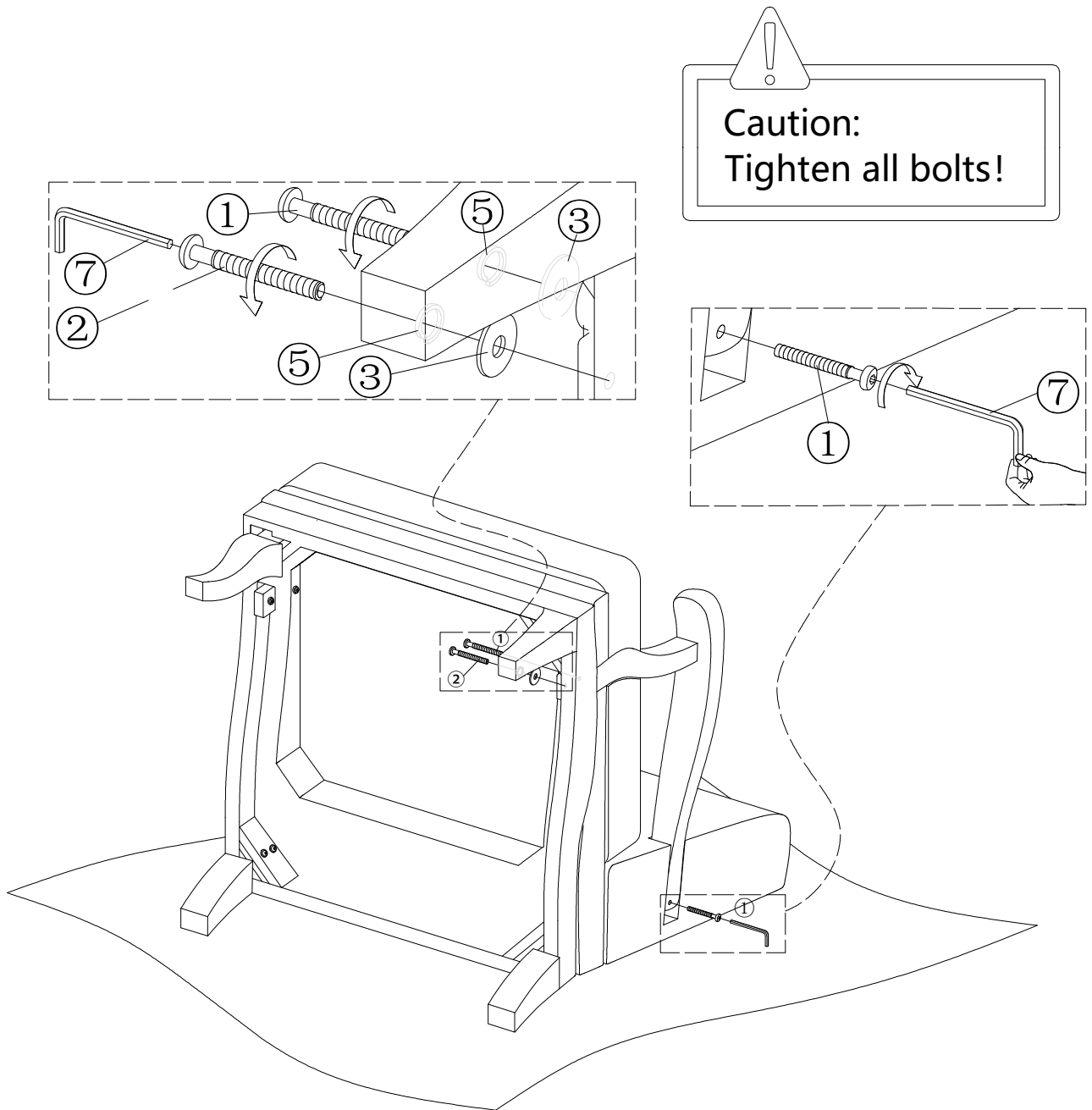
ASSEMBLY INSTRUCTIONS

STEP-6

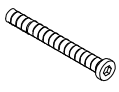


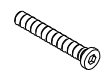
ASSEMBLY INSTRUCTIONS

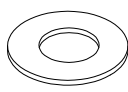
STEP-7




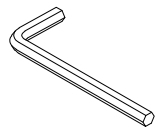
Caution:
Tighten all bolts!

①	x2
	
M8*65mm Bolt	

②	x1
	
M8*45mm Bolt	

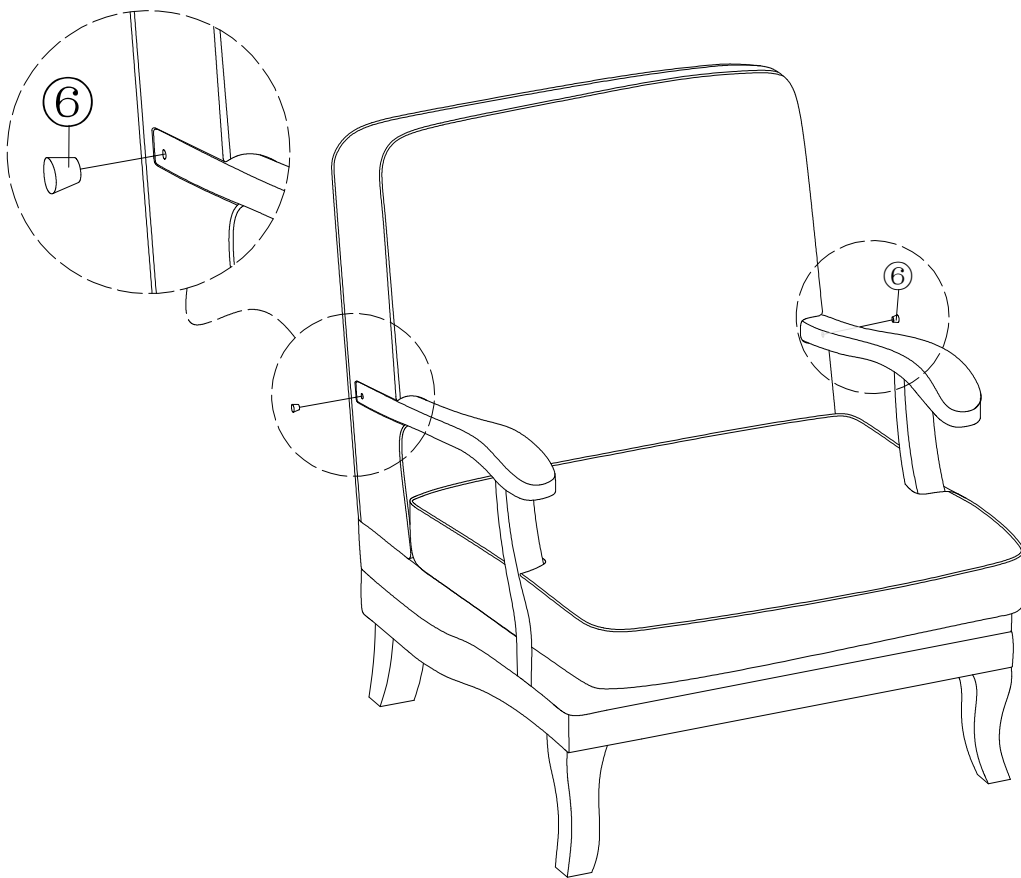
③	x2
	
M8*22mm Flat washer	


⑤	x2
	
M8 Spring washer	

⑦	x1
	
M6 Allen Key	

ASSEMBLY INSTRUCTIONS

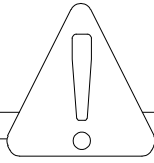
STEP-8



⑥	x2
	
wooden plug	

ASSEMBLY INSTRUCTIONS

STEP-9



Attention:

After installation, adjust the adjustable leveler to keep the chair balanced .

Be sure to check all packing material carefully for small parts, which may have come loose inside the carton during shipment.

