

MAINTAINANCE AND WARNING

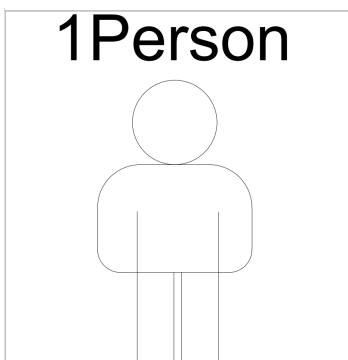
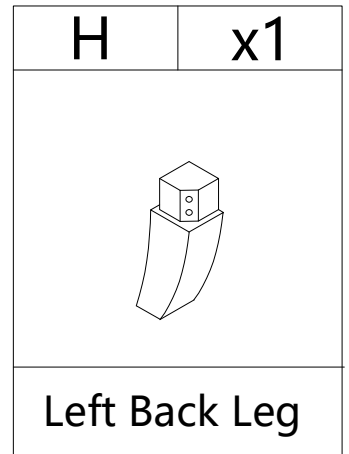
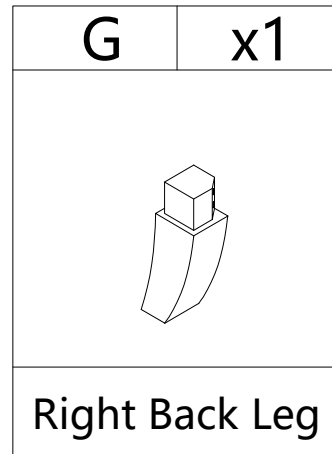
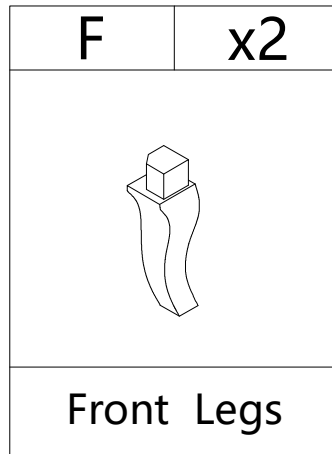
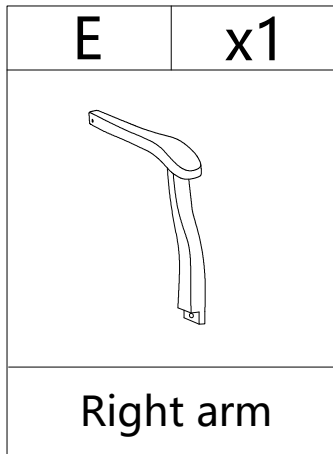
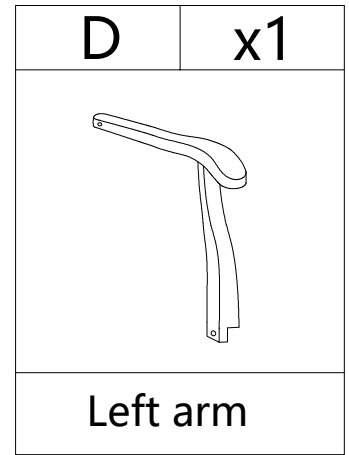
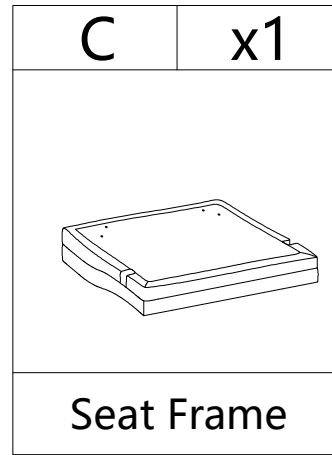
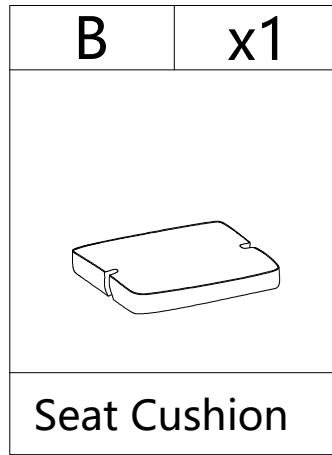
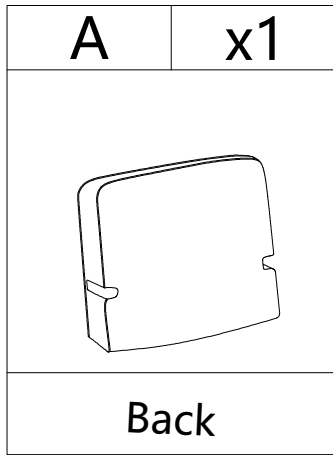
- 1.Keep furniture away from heat sources.
- 2.Do not clean furniture with harsh cleaner or polishes.Do not use detergents,solvents,abrasives,spray packs or leather cleaner. Use non-color mild soa with warm water to clean spills(Mix 1:10 soap to water).
- 3.Do not place furniture under direct sunlight,material will possibly fade over time.
- 4.Do not use on site dry cleaning machine.Children should not climb or jump on the furniture.
- 5.Do not write on furniture that is not protectedby a padded barrier.
- 6.Not for commercial use,only for residential use.



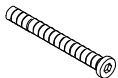

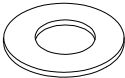
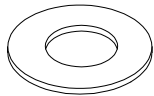
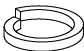

Weight Limitation

300 LBS

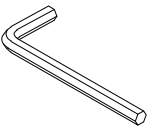
PARTS LIST



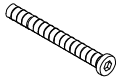

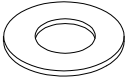
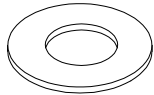
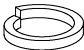

HARDWARE LIST

①	x16	②	x2	③	x12	④	x4	⑤	x16	⑥	x2
											
M8*65mm Bolt		M8*45mm Bolt		M8*22mm Flat washer		M8*30mm Flat washer		M8 Spring washer		wooden plug	

TOOL LIST

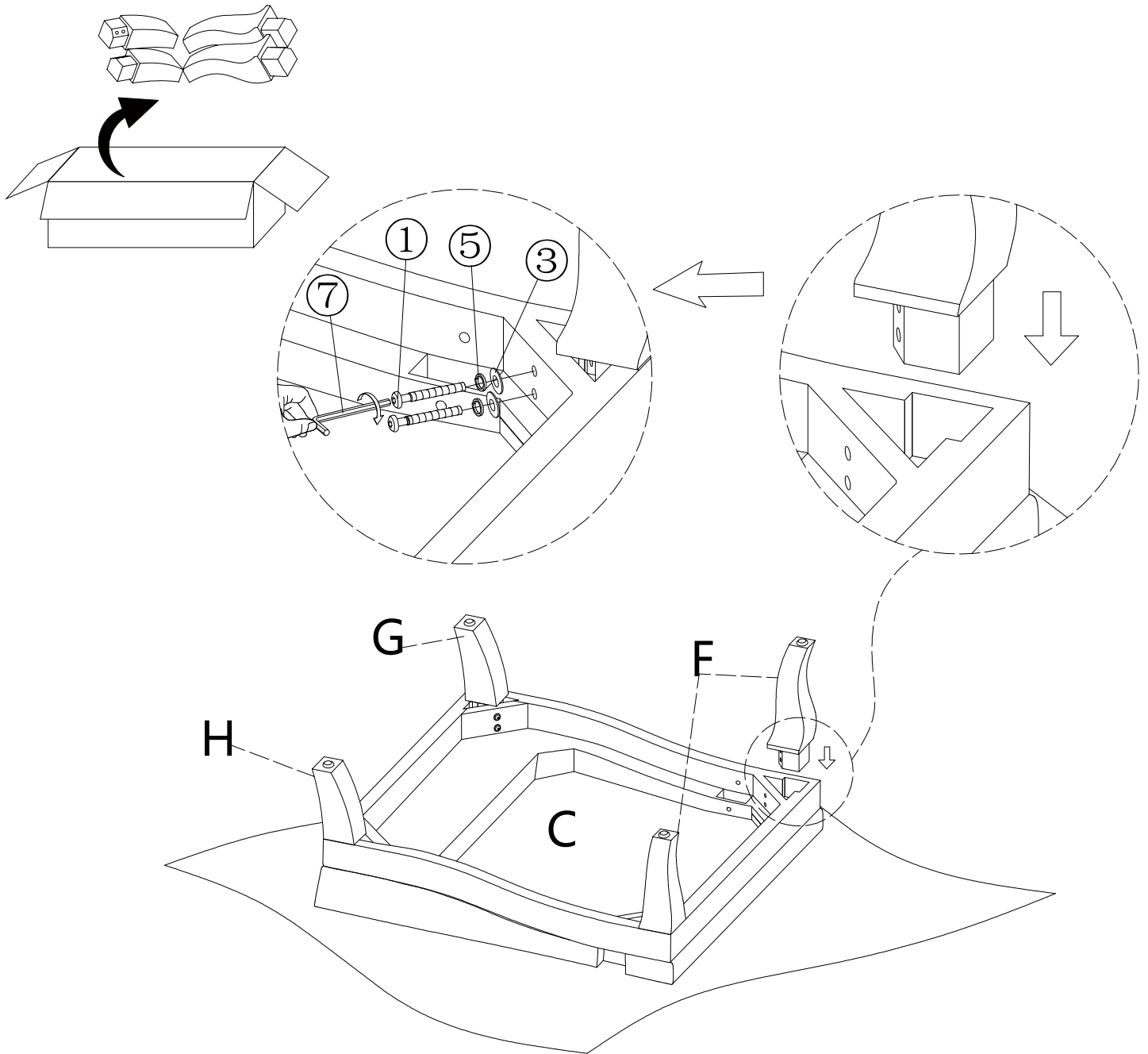
⑦	x1
	
M6 Allen Key	

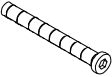
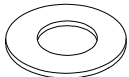

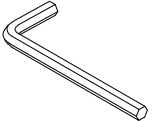
HARDWARE SPARE LIST

①	x1	②	x1	③	x1	④	x1	⑤	x1	⑥	x1
											
M8*65mm Bolt		M8*45mm Bolt		M8*22mm Flat washer		M8*30mm Flat washer		M8 Spring washer		wooden plug	

ASSEMBLY INSTRUCTIONS

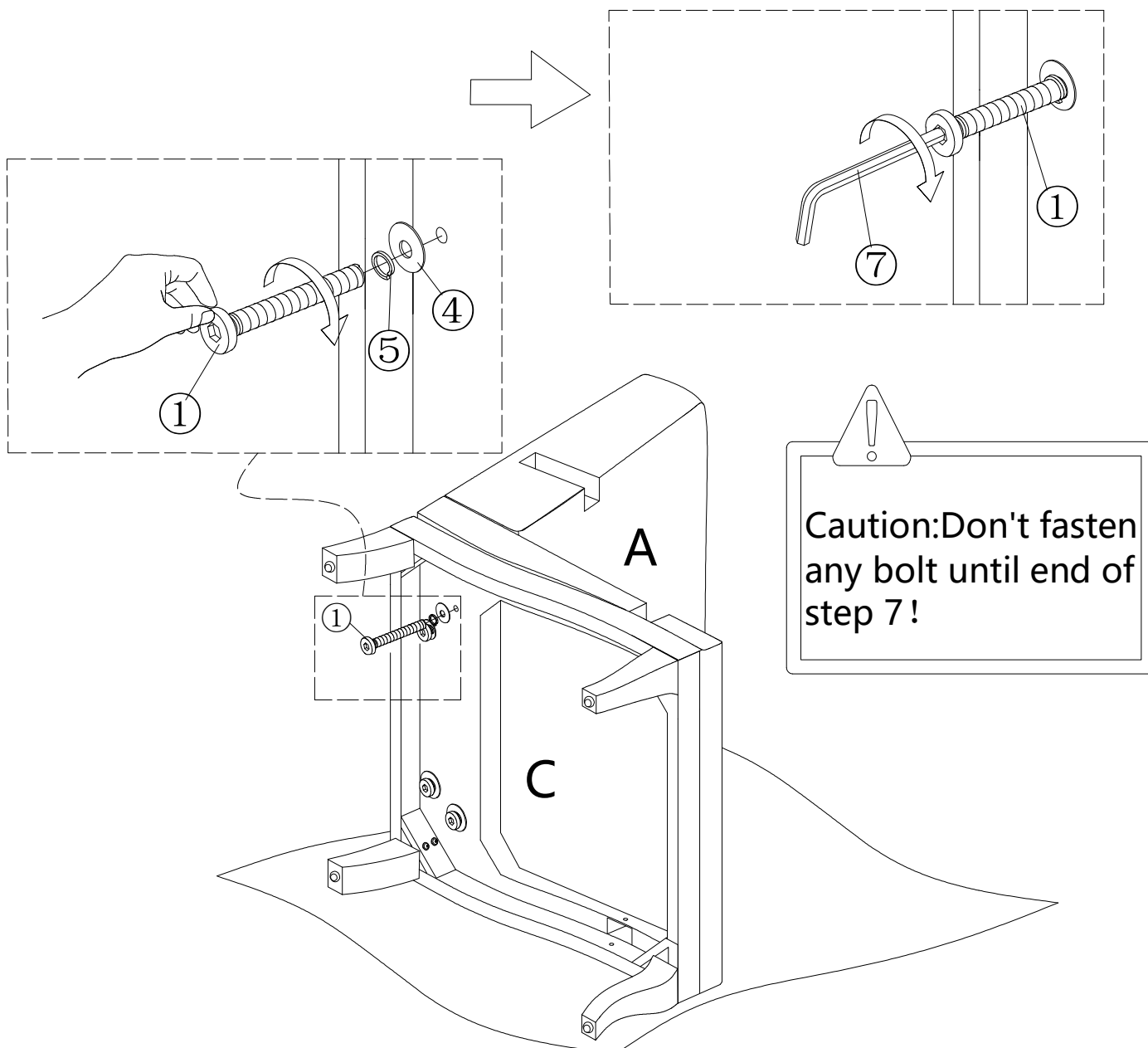
STEP-1

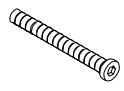


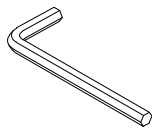


①	x8	③	x8	⑤	x8	⑦	x1
							
M8*65mm Bolt		M8*22mm Flat washer		M8 Spring washer		M6 Allen Key	

ASSEMBLY INSTRUCTIONS

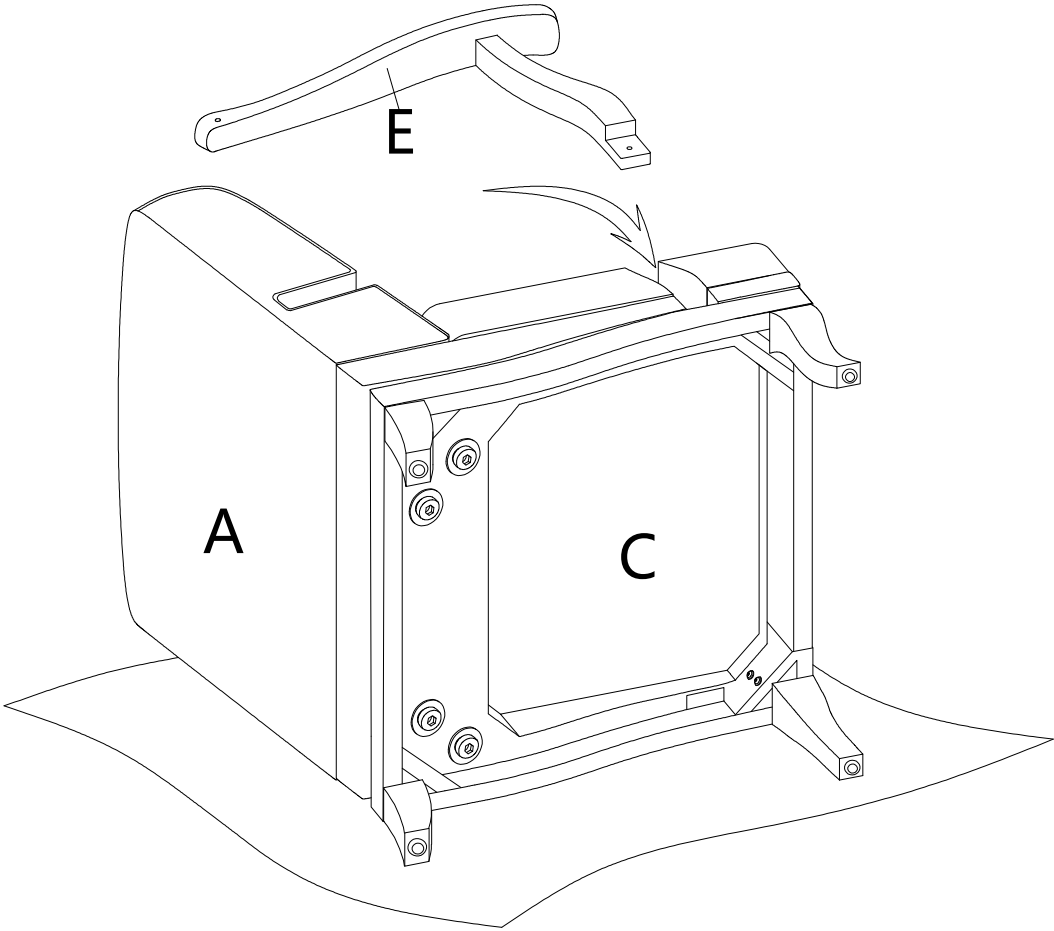
STEP-2



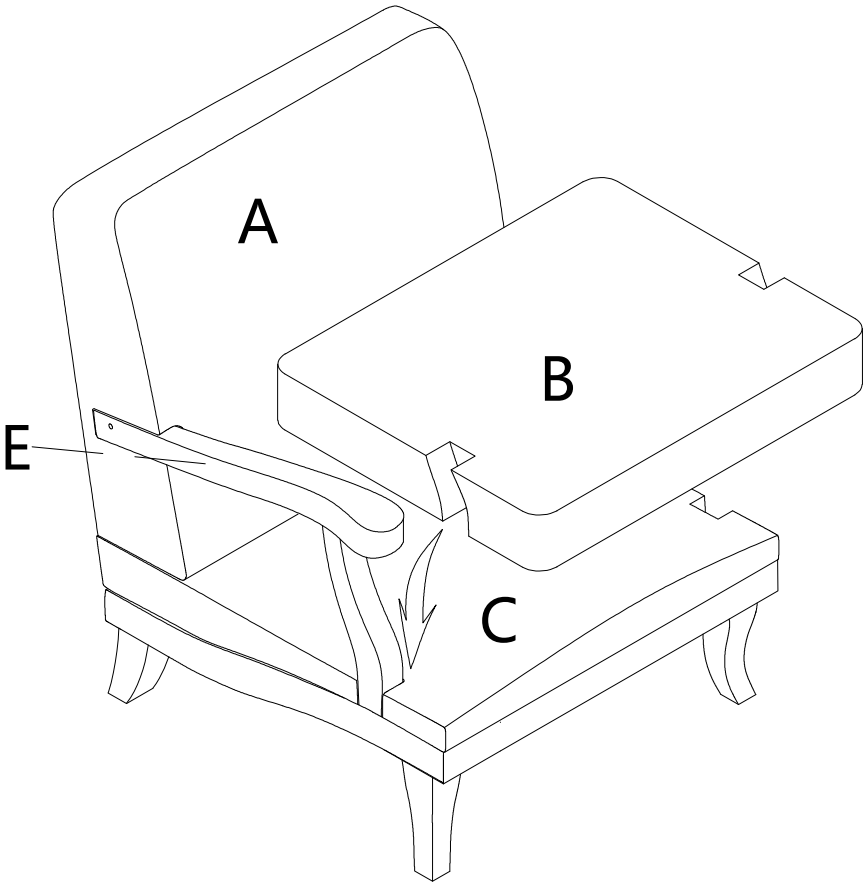
①	x4	④	x4	⑤	x4	⑦	x1
							
M8*65mm Bolt		M8*30mm Flat washer		M8 Spring washer		M6 Allen Key	

ASSEMBLY INSTRUCTIONS

STEP-3

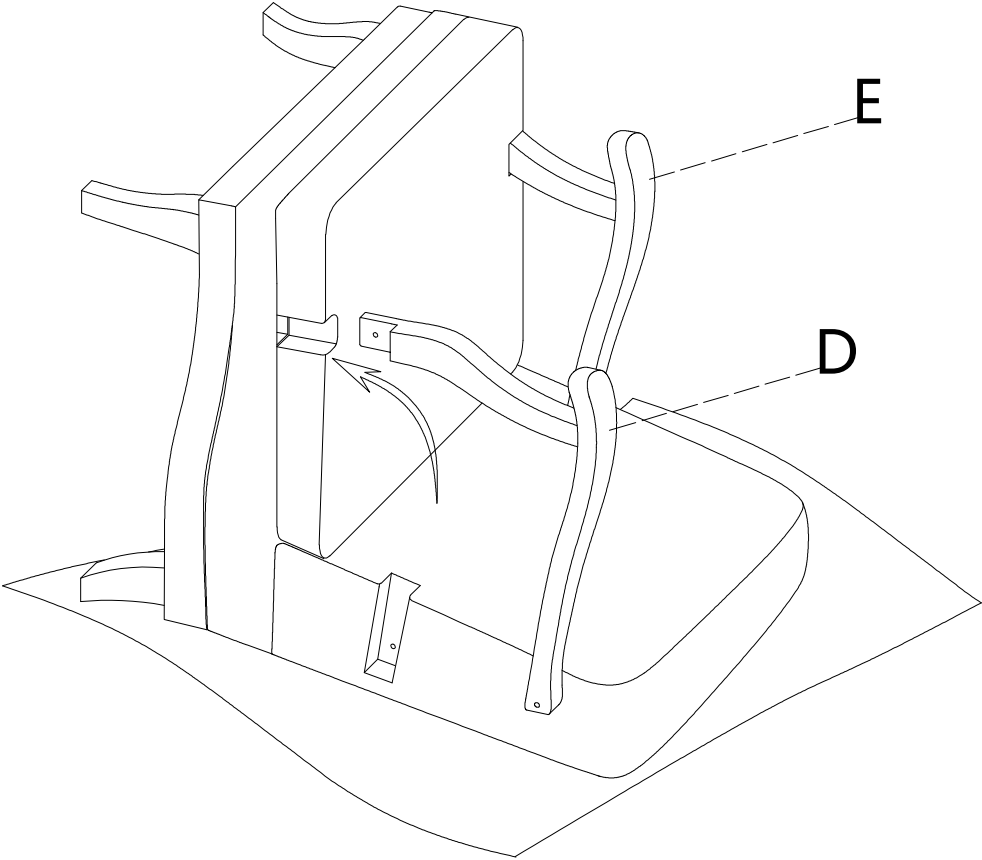


ASSEMBLY INSTRUCTIONS



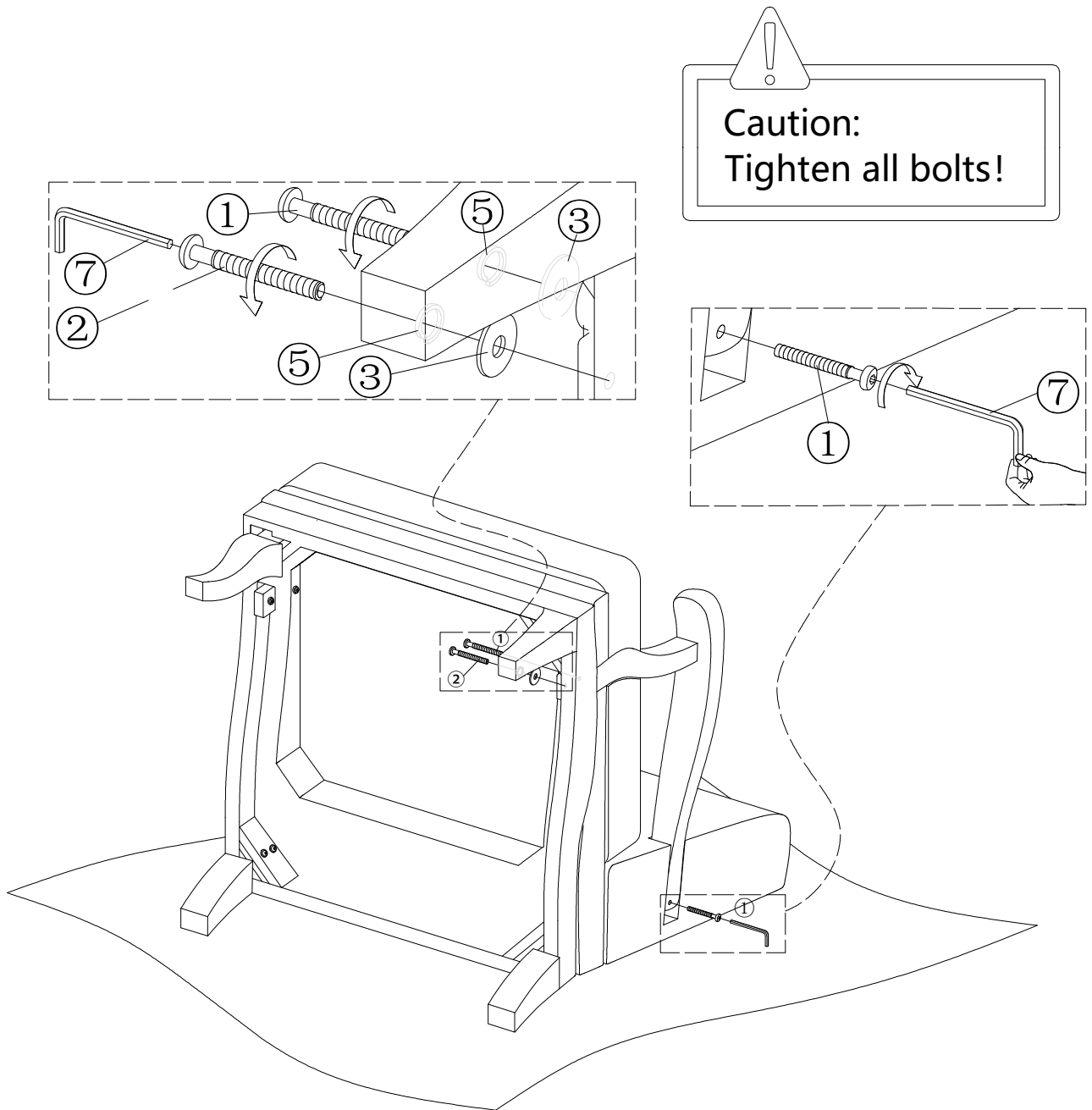
ASSEMBLY INSTRUCTIONS

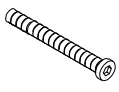

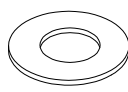

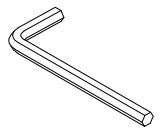
STEP-6



ASSEMBLY INSTRUCTIONS

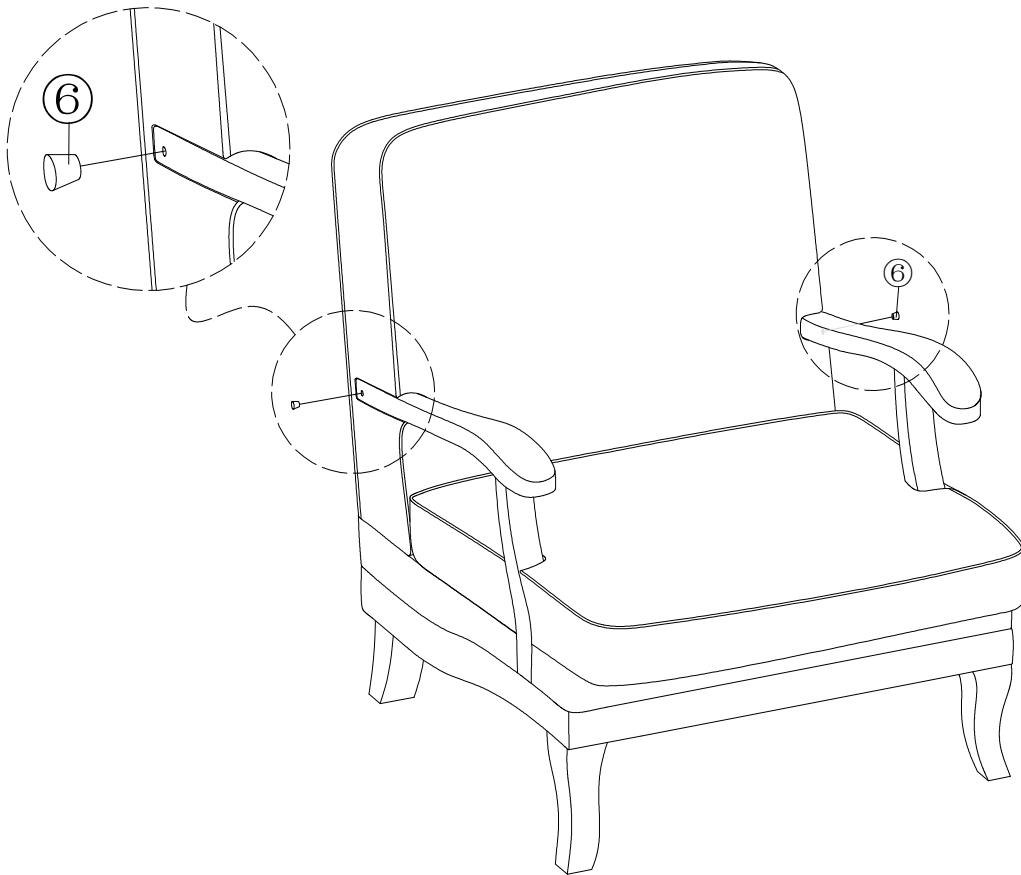
STEP-7




①	x2	②	x1	③	x2	⑤	x2	⑦	x1
									
M8*65mm Bolt		M8*45mm Bolt		M8*22mm Flat washer		M8 Spring washer		M6 Allen Key	

ASSEMBLY INSTRUCTIONS

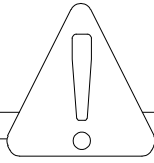
STEP-8



⑥	x2
	
wooden plug	

ASSEMBLY INSTRUCTIONS

STEP-9



Attention:

After installation, adjust the adjustable leveler to keep the chair balanced .

Be sure to check all packing material carefully for small parts, which may have come loose inside the carton during shipment.

