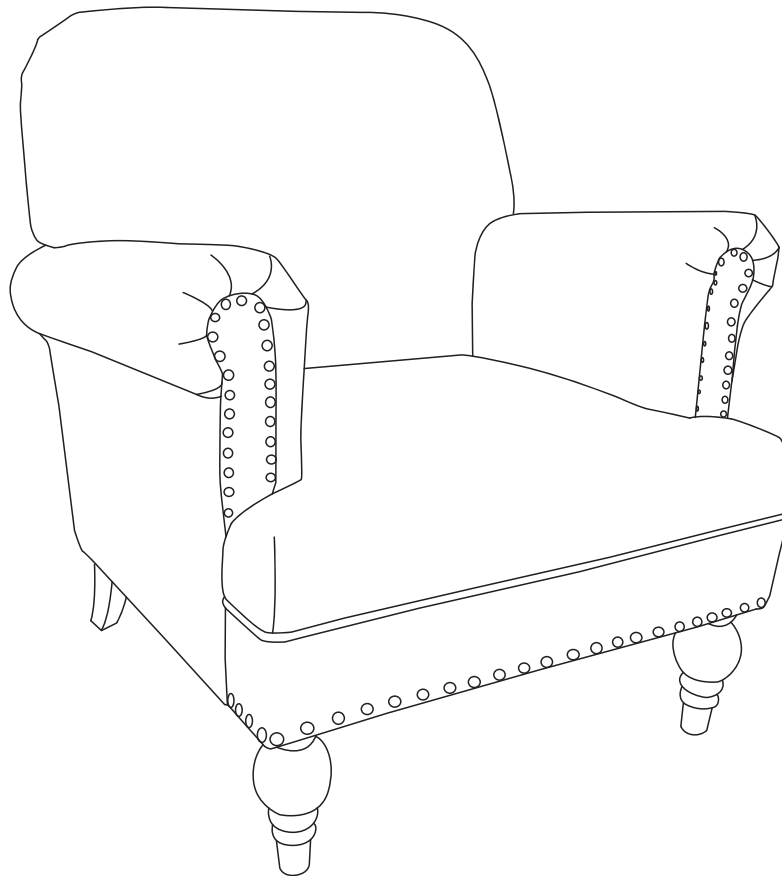
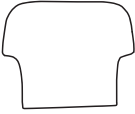
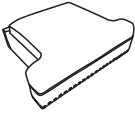
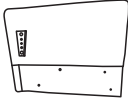
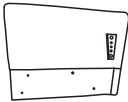




Assembly Instruction




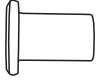
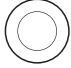

Accent chair



Component list

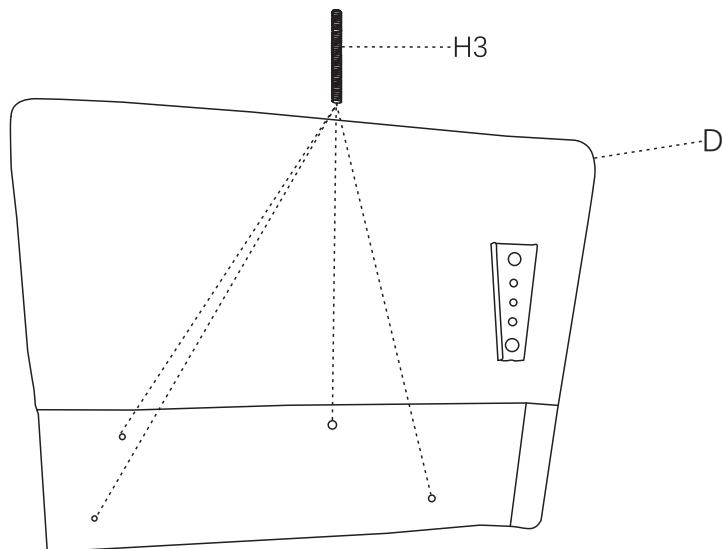
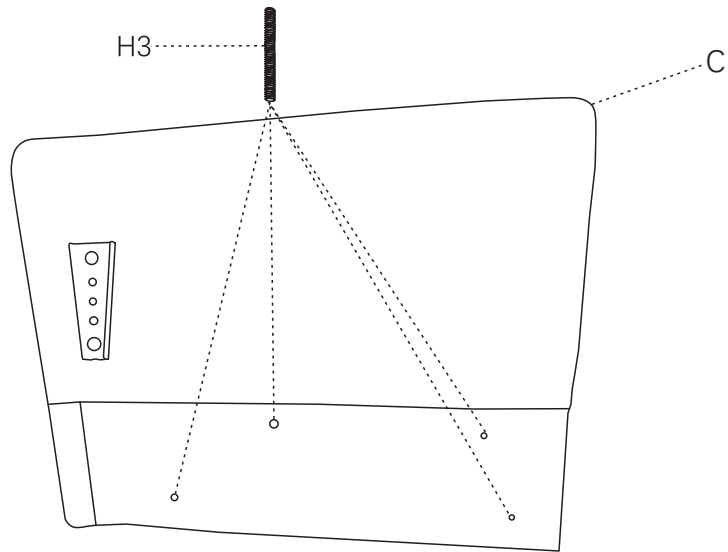
LABEL		DESCRIPTION	QTY
A		Back	1
B		Seat	1
C		Left arm	1
D		Right arm	1
E		FRONT LEG	2
F		REAR LEG	2

Hardware List

LABEL		DESCRIPTION	QTY
H1		Plastic Washer	2
H2		Bolt (M6*55)	8
H3		Bolt (M8*55)	8
H4		Screw Cap	8
H5		Washer	8
H6		M6 Allen Wrench	1

Assembly Steps

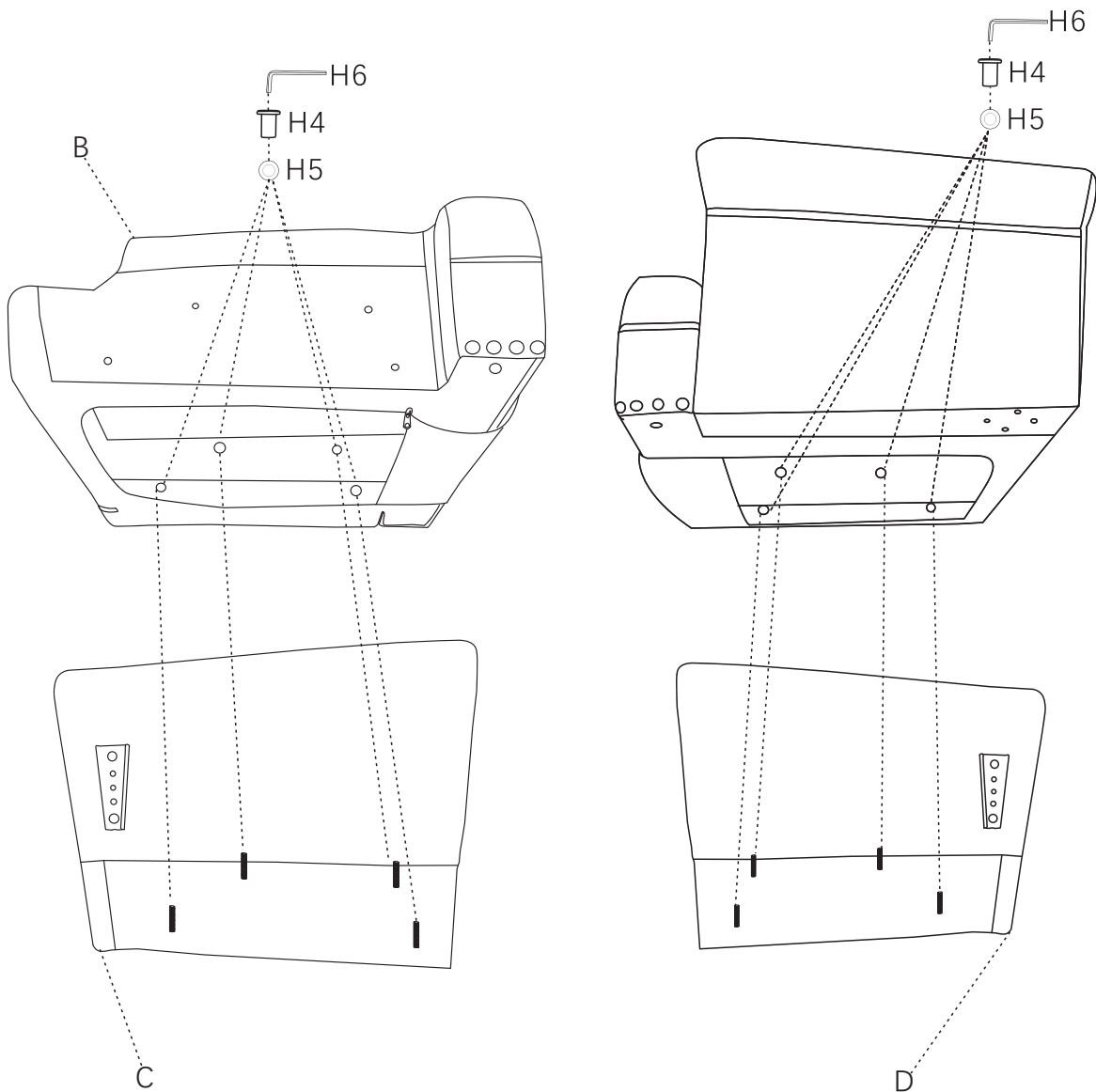
Step 1



Tighten the screws on the arm for 2cm down.

Assembly Steps

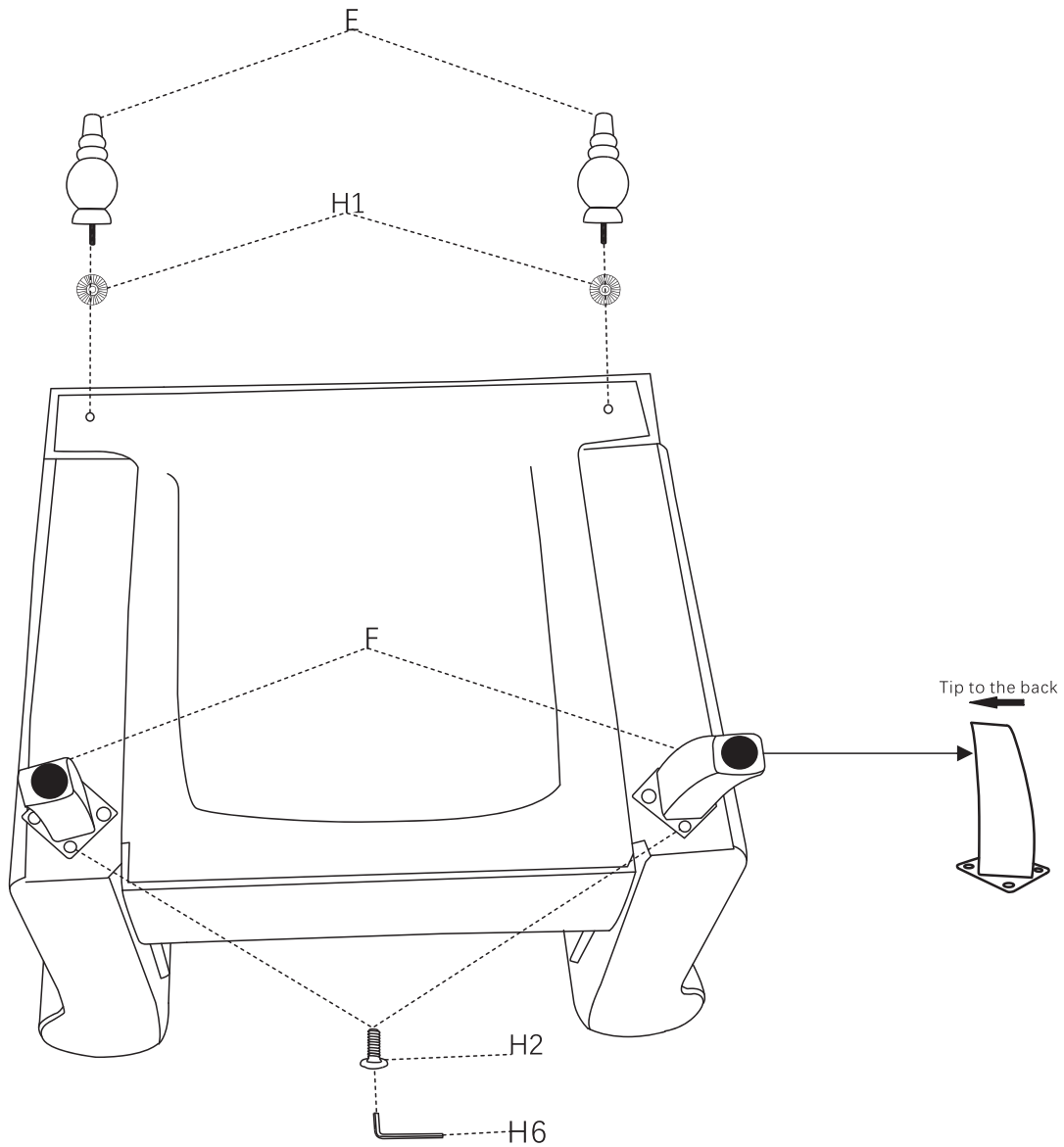
Step 2



Assemble the arms with the seat, tighten the screws 70%.

Assembly Steps

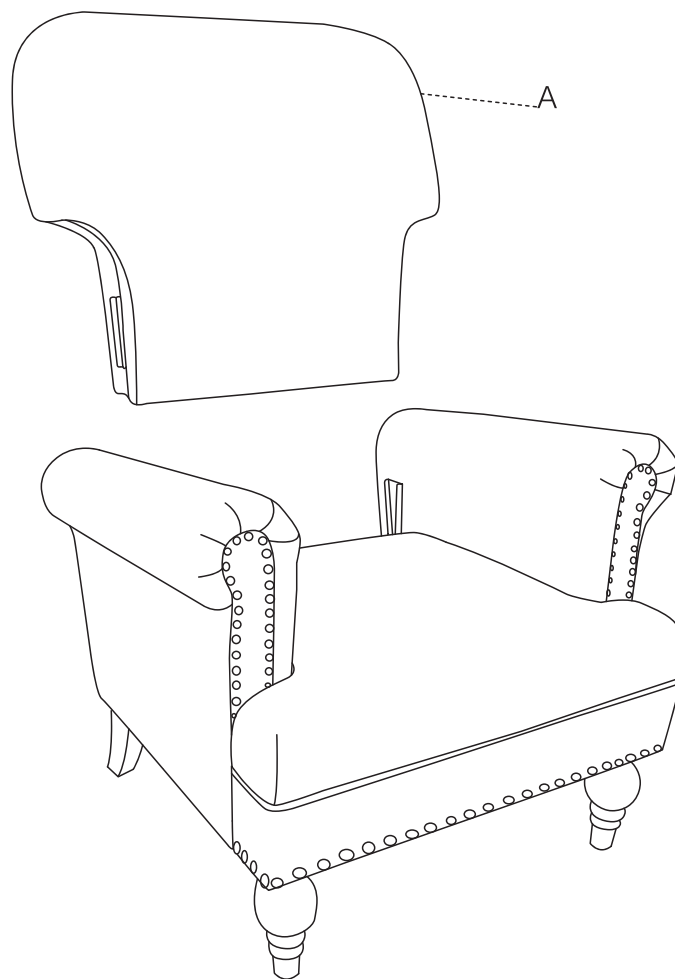
Step 3



Assemble the legs on seat frame, tighten all bolts before use!

Assembly Steps

Step 4



Insert the Back (A) onto the clamps on seat frame ,
push until heard "CLACK" sound.
Last tighten all screws to 100%.