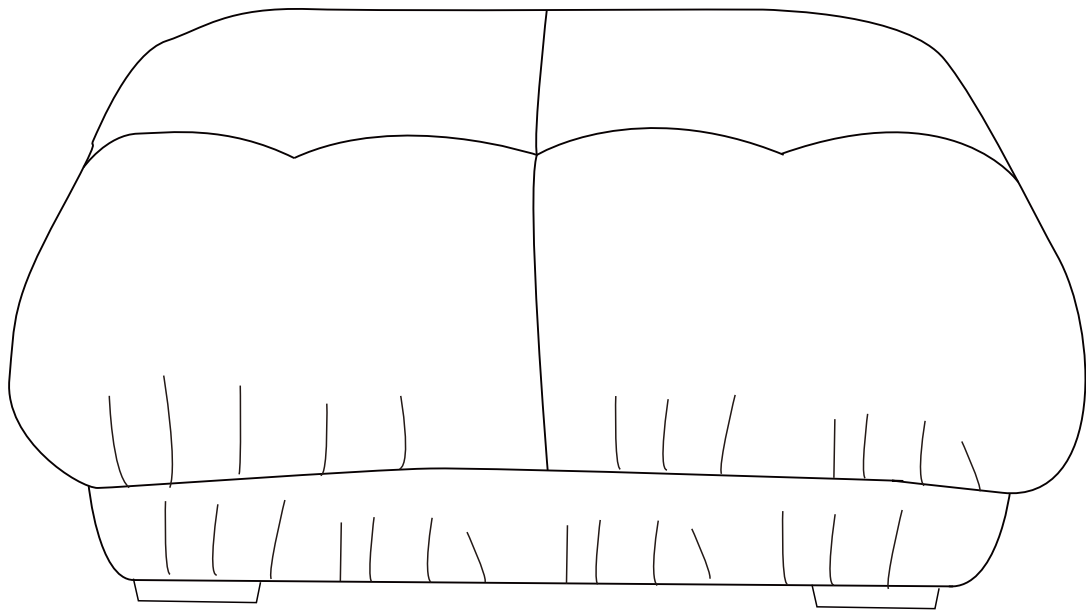


Assembly Manual

Ottoman



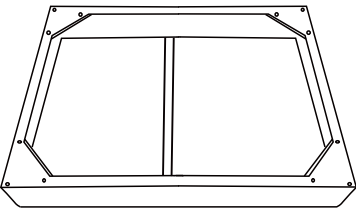
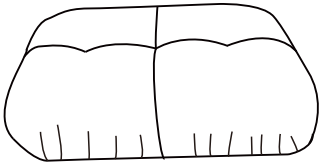
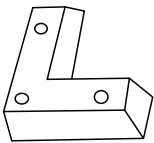
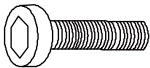

Components List-Ottoman

Before Assembly

IMPORTANT NOTE:

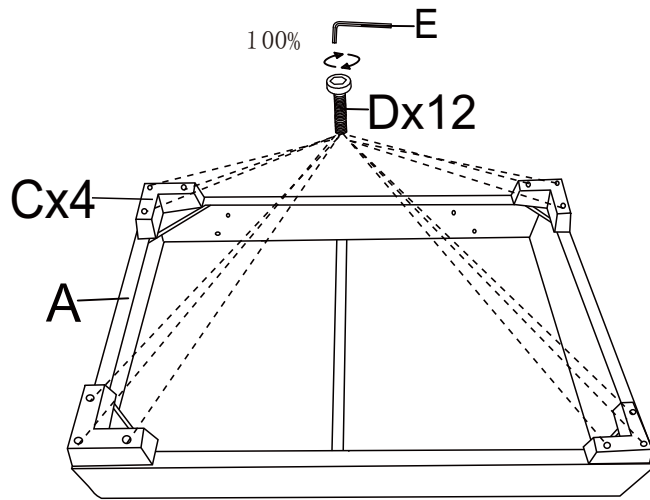
1. Make sure all parts and hardware are included and free of obvious defect before disposing of any packaging.
2. Place all wooden parts on a clean and smooth surface such as a rug or carpet to avoid the parts from being scratched.
3. Do not tighten all screws and bolts until completely assembled.
4. Assembly will require two people.

Part List

<p>A</p>  <p>Seat frame*1</p>	<p>B</p>  <p>Seat cushion*1</p>	<p>C</p>  <p>Leg*4</p>
<p>D</p>  <p>M6*50mm Bolt*12</p>	<p>E</p>  <p>Allen key*1</p>	

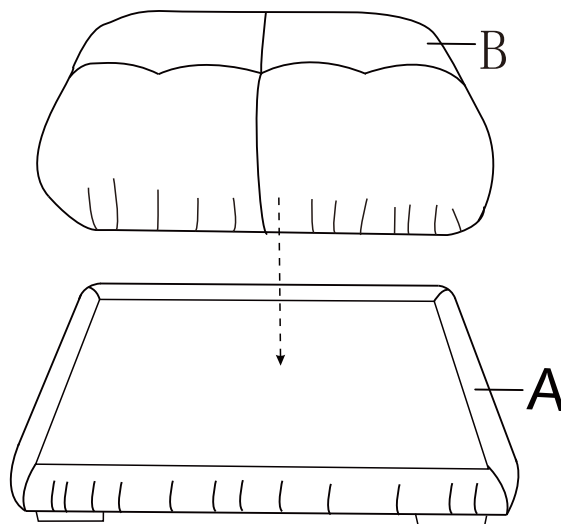
Step 1

Assemble the leg (C) to the seat frame (A) with Bolts (D).



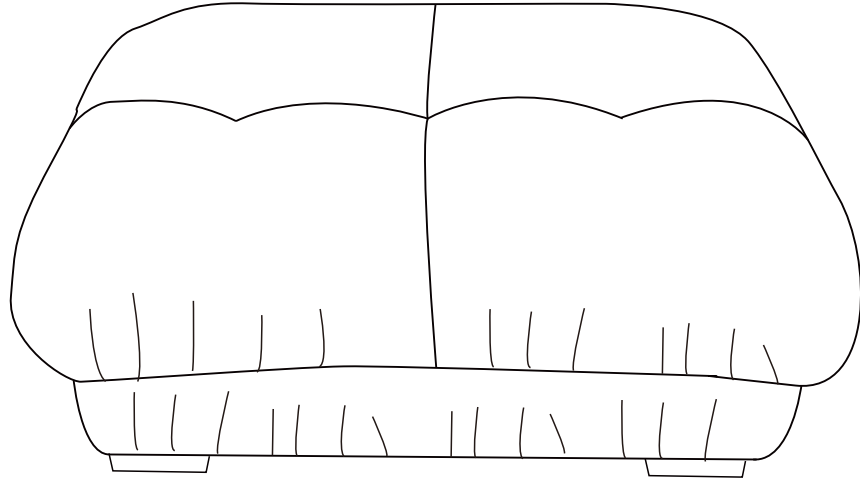
Step 2

Put seat cushion(B) to the sofa



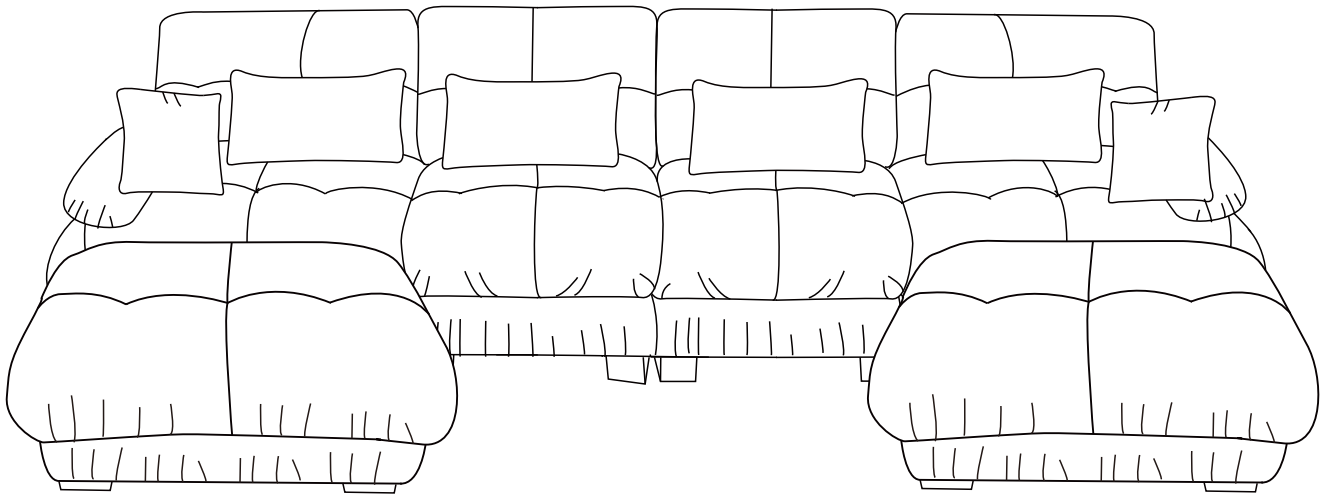
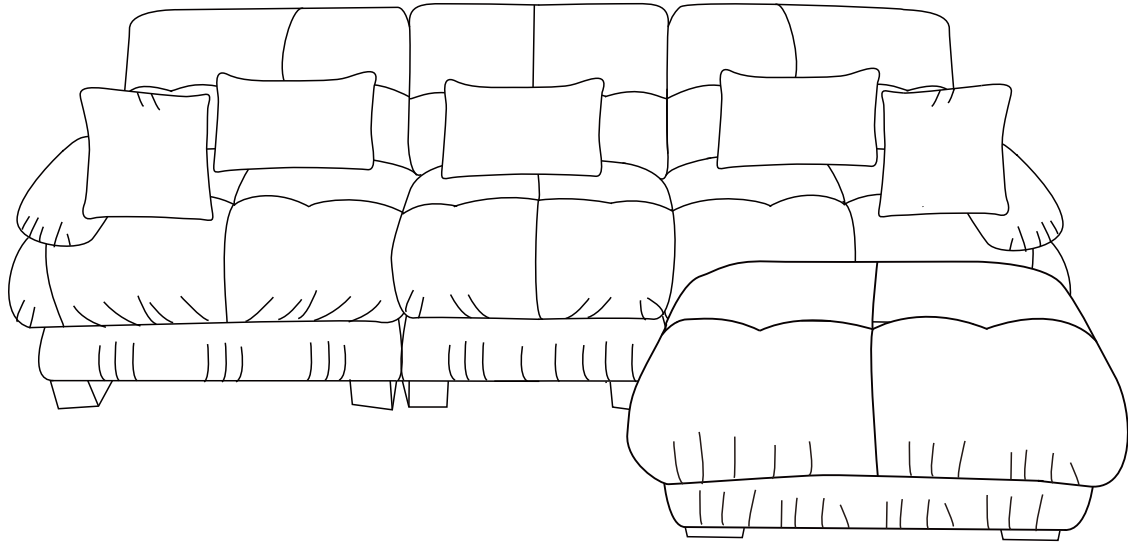
Step 3

Completed .



Assembly Instruction

Please install according to the combination method purchased



Note: Cushions are vacuum-packed & it may take approximately 72 hours to fully expand to their intended size & shape