

# Assembly Manual

## Left Arm Seat



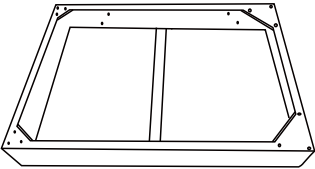
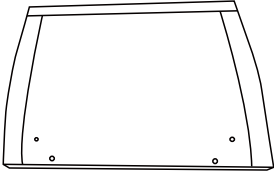
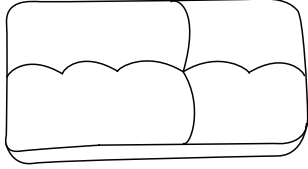
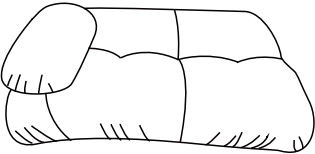
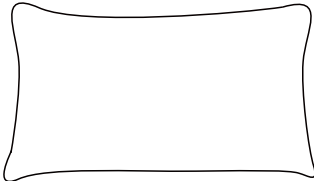
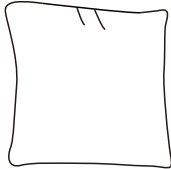
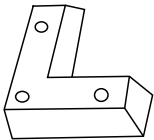

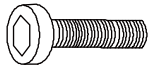

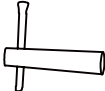

# Components List-Left Arm Seat

## Before Assembly

### IMPORTANT NOTE:

1. Make sure all parts and hardware are included and free of obvious defect before disposing of any packaging.
2. Place all wooden parts on a clean and smooth surface such as a rug or carpet to avoid the parts from being scratched.
3. Do not tighten all screws and bolts until completely assembled.
4. Assembly will require two people.

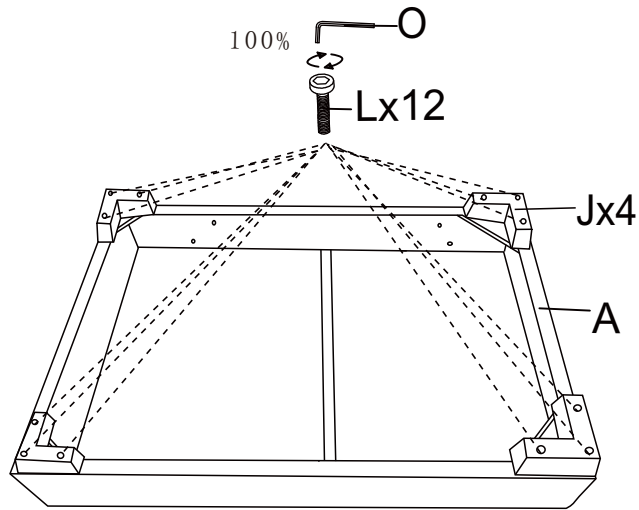
## Part List

<p><b>A</b></p>  <p>Left seat frame*1</p>	<p><b>C</b></p>  <p>Backrest*1</p>	<p><b>D</b></p>  <p>Left back cushion*1</p>
<p><b>F</b></p>  <p>Left seat cushion*1</p>	<p><b>H</b></p>  <p>Waist pillow*1</p>	<p><b>I</b></p>  <p>Pillow* 1</p>
<p><b>J</b></p>  <p>Leg*4</p>	<p><b>K</b></p>  <p>Bolt*4 M8*80mm</p>	<p><b>L</b></p>  <p>M6*50mm Bolt*12</p>
<p><b>M.</b></p>  <p>Washer*4</p>	<p><b>N</b></p>  <p>Allen key*1</p>	<p><b>O</b></p>  <p>Allen key*1</p>

# Assembly Instruction-Left Arm Seat

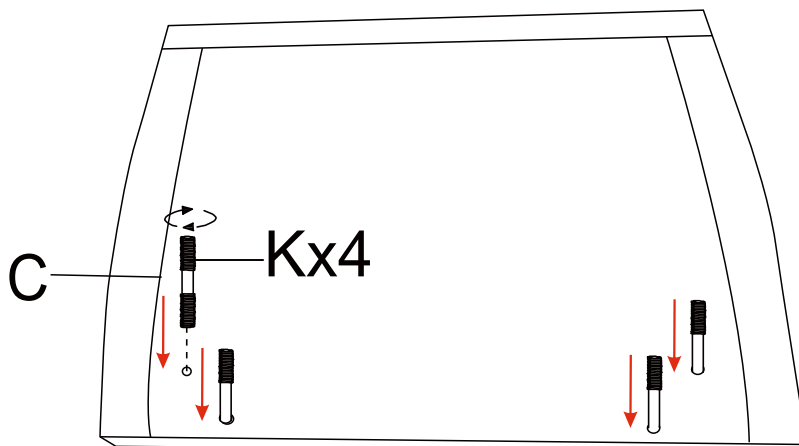
Step 1

Assemble the leg (J) to the left seat frame (A) with Bolts (L).



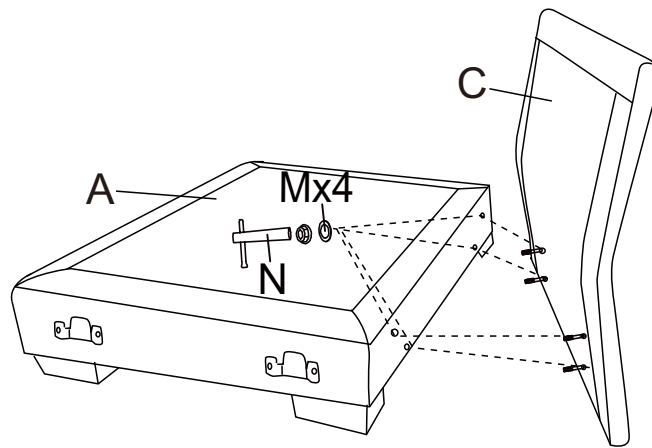
Step 2

Assemble the big backrest (C) with Bolts (K)



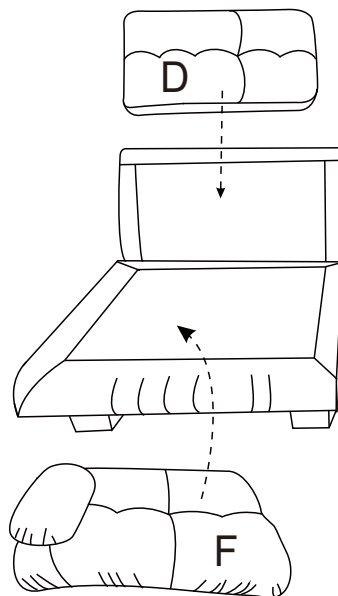
## Step 3

Assemble the big backrest(C) to the left seat frame(A) with washer(M).



## Step 4

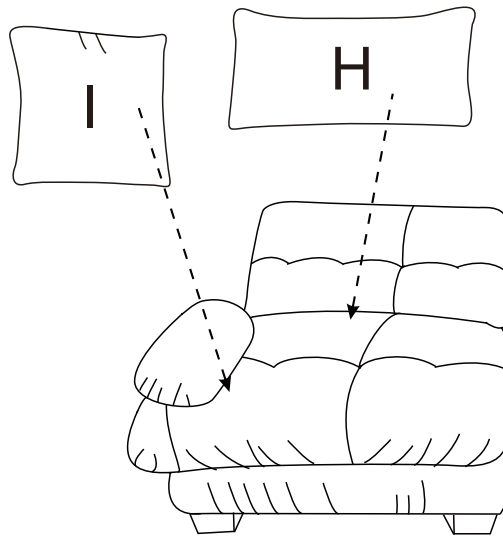
Put left back cushion(E) and left seat cushion (G) to the sofa.



## Assembly Instruction

Step 5

Put waist pillow(H) and pillow(I) to the sofa.

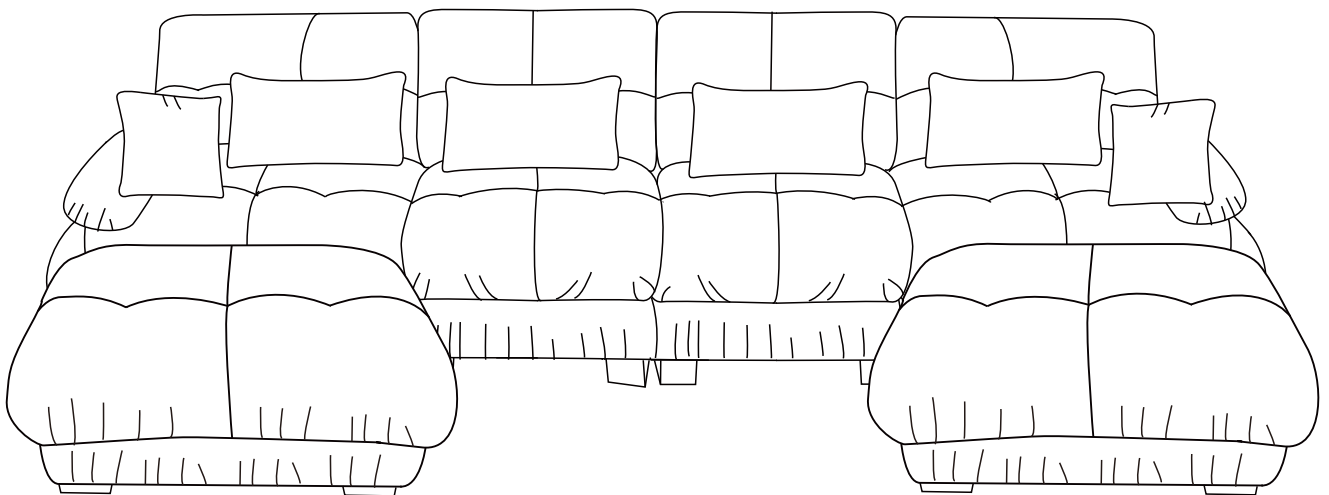
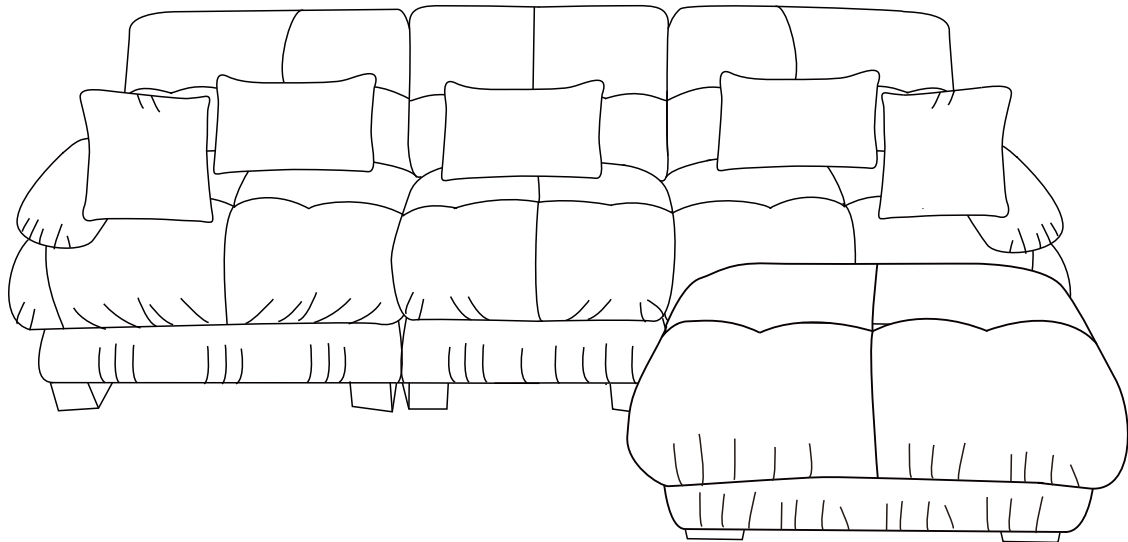


Step 6

Completed .



Please install according to the combination method purchased



Note: Cushions are vacuum-packed & it may take approximately 72 hours to fully expand to their intended size & shape