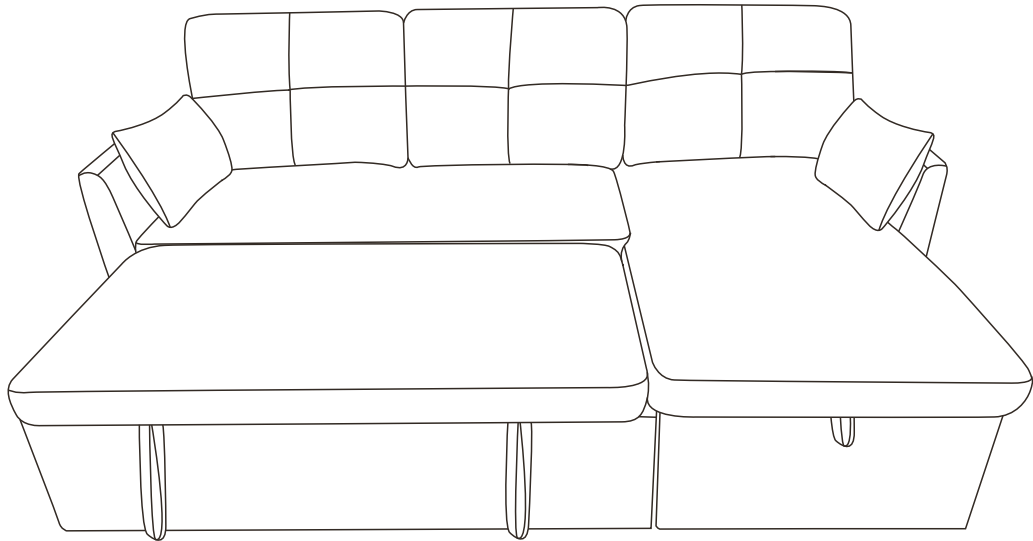


Assembly Manual

Reversible Chaise Storage Sofa Bed



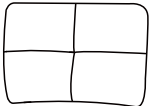
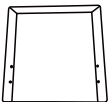

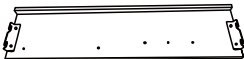
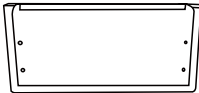
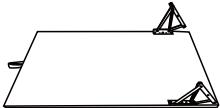


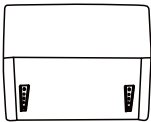
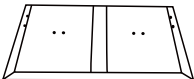
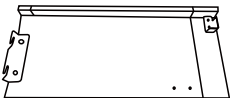
Assembly Instructions

Before Assembly

IMPORTANT NOTE:

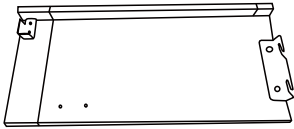
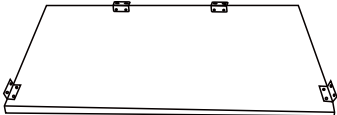

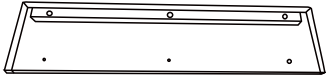

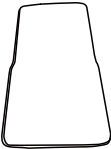

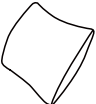

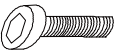



1. Make sure all parts and hardware are included and free of obvious defect before disposing of any packaging.
2. Place all wooden parts on a clean and smooth surface such as a rug or carpet to avoid the parts from being scratched.
3. Do not tighten all screws and bolts until completely assembled.
4. Assembly will require two people.

Part List

A		Back cushion	3
B		Back frame	1
C		Right panel	1
D		Left panel	1
E		Seat frame	1
F		Cover plate	1
G		Baseboard	1
H		Batten	2
I		Arm	2
J		Back frame	1
K		Right panel	1

Assembly Instructions

Parts List

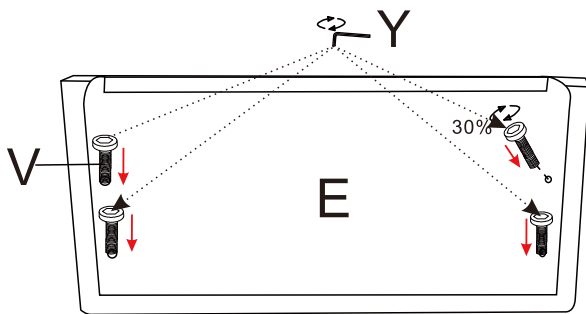
L		Left panel	1
M		Cover plate	1
N		Seat	1
O		Seat frame	1
P		Sit on a soft bag	1
Q		Cushion	1
R		Cushion	1
S		Pillow	2
T		Foot	8
V		Screw	26
W		Screw	7
X		Wrench	1
Y		Wrench	1

Assembly Steps

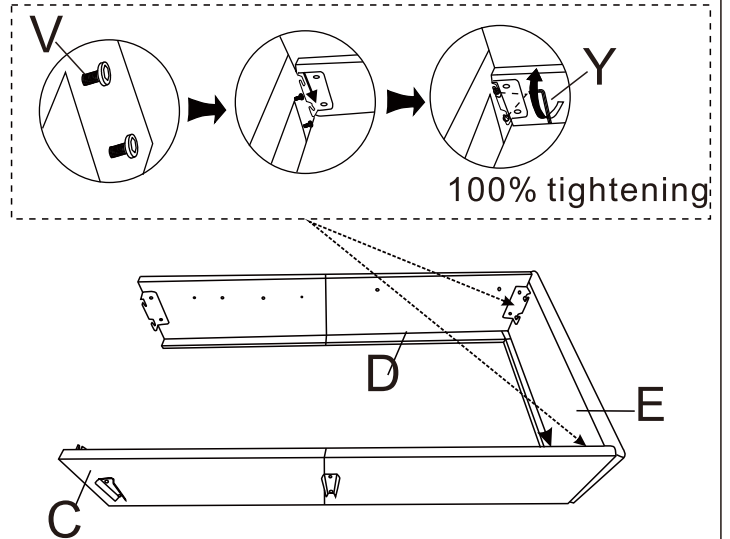
Chaise

Step 1

Screw 30 percent

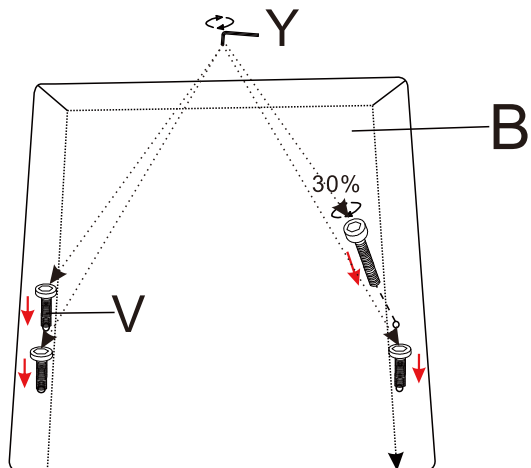


Step 2

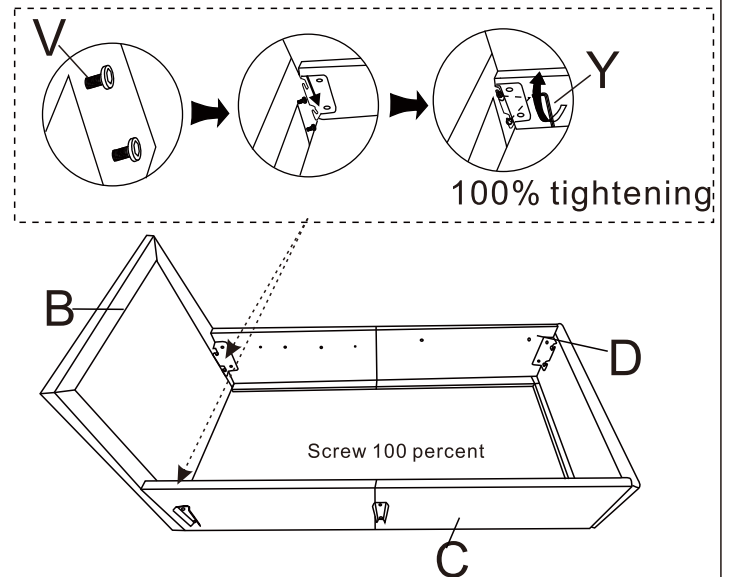


Step 3

Screw 30 percent



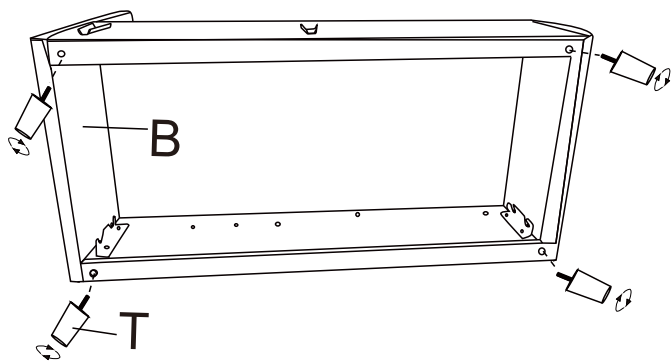
Step 4



Assembly Steps

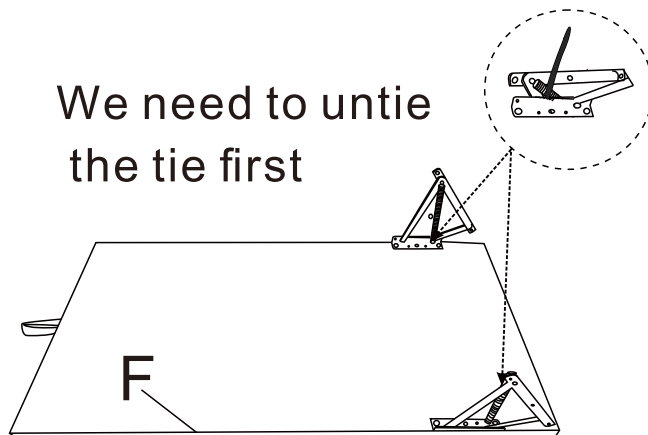
Chaise

Step 5

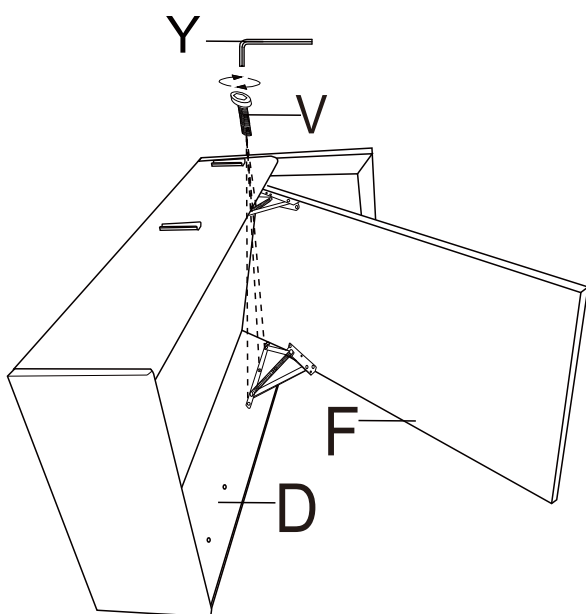


Step 6

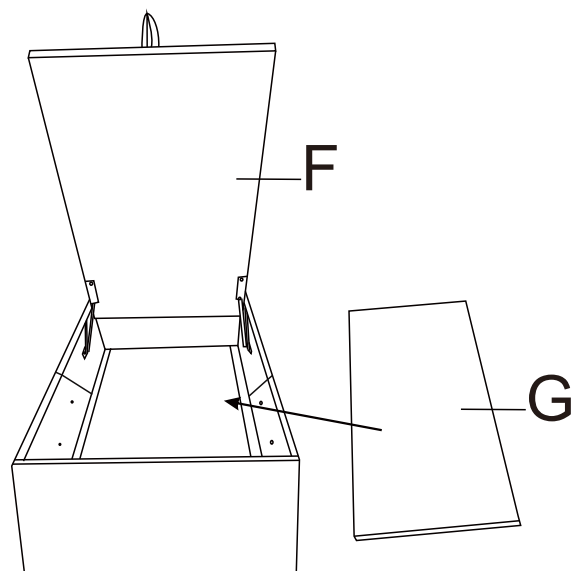
We need to untie the tie first



Step 7



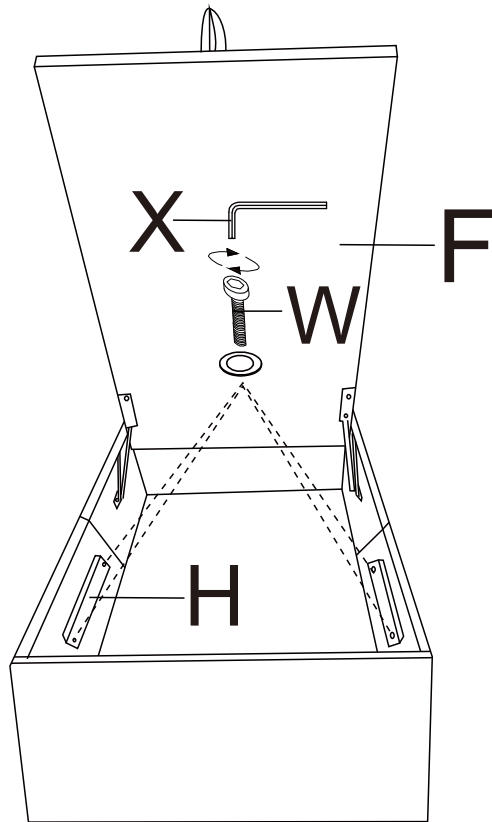
Step 8



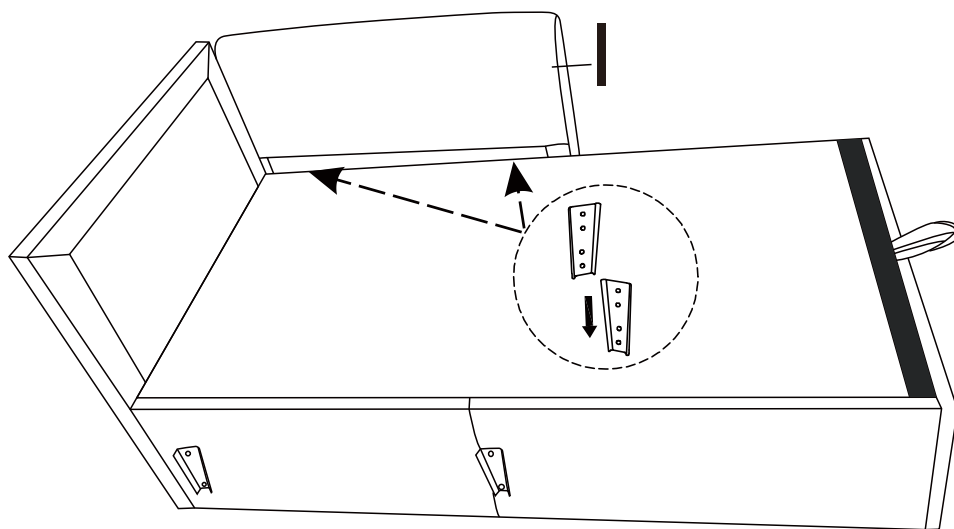
Assembly Steps

Chaise

Step 9



Step 10

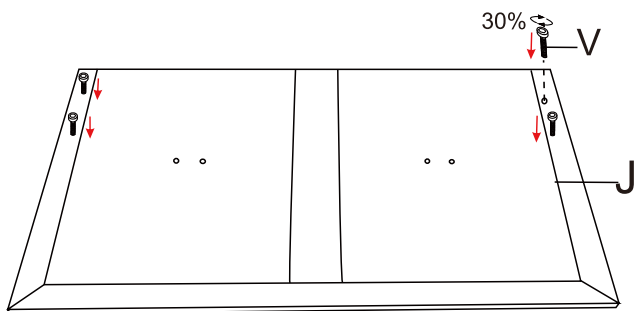


Assembly Steps

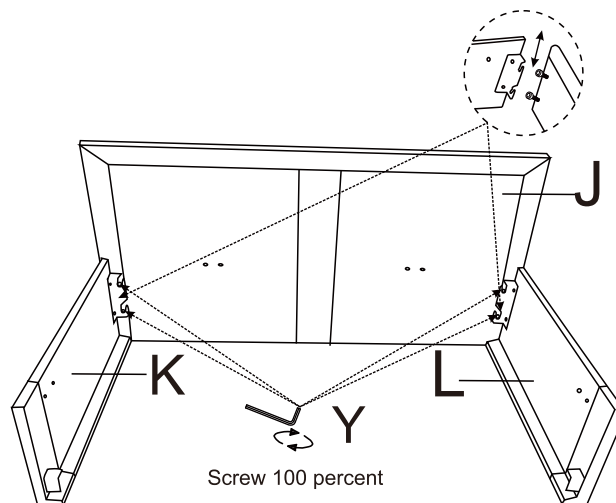
Sofa Bed

Step 11

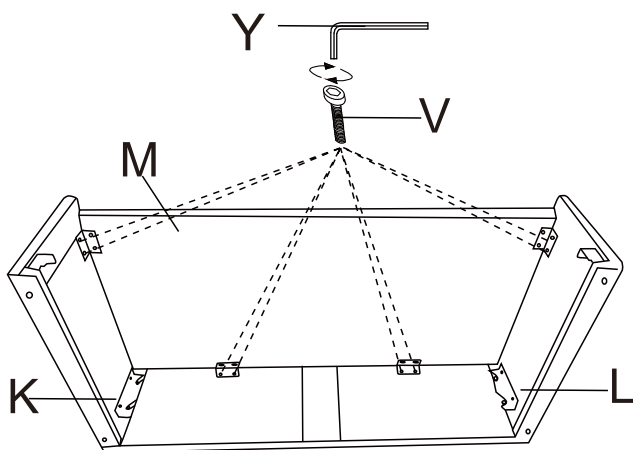
Screw 30 percent



Step 12

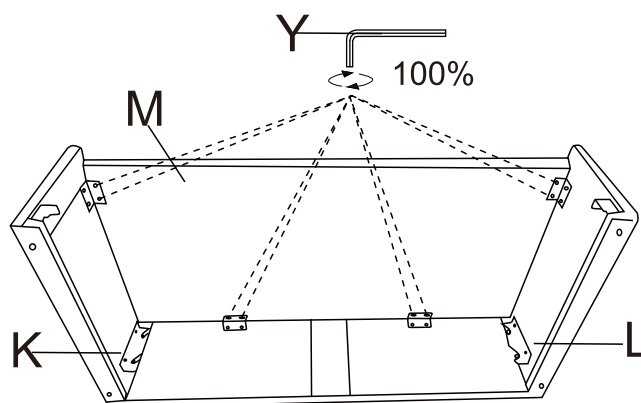


Step 13



Screw 30 percent

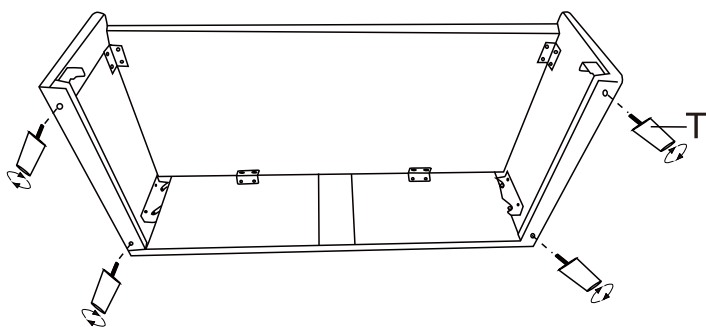
Step 14



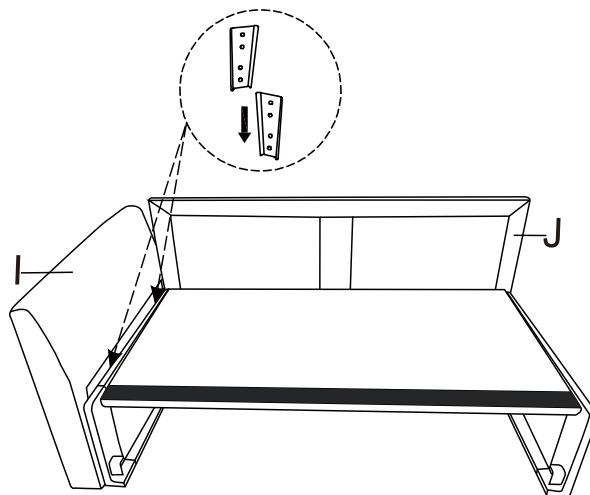
Assembly Steps

Sofa Bed

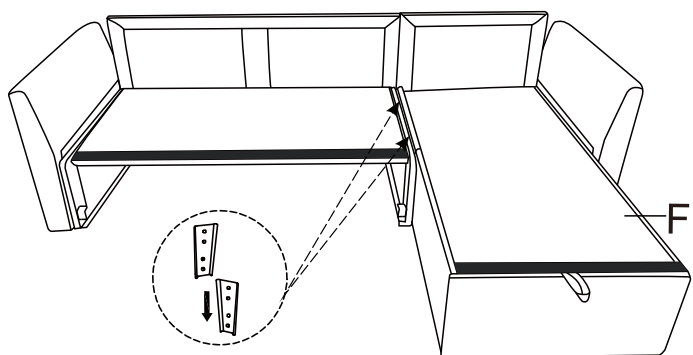
Step 15



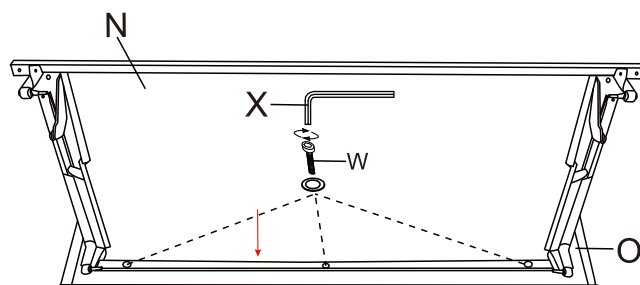
Step 16



Step 17

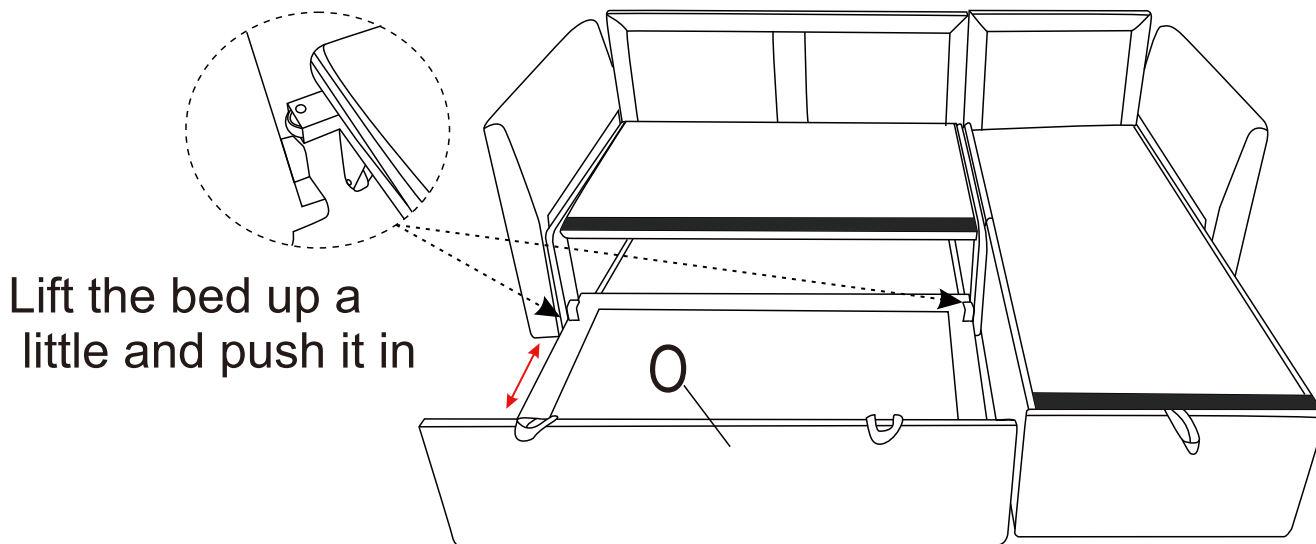


Step 18

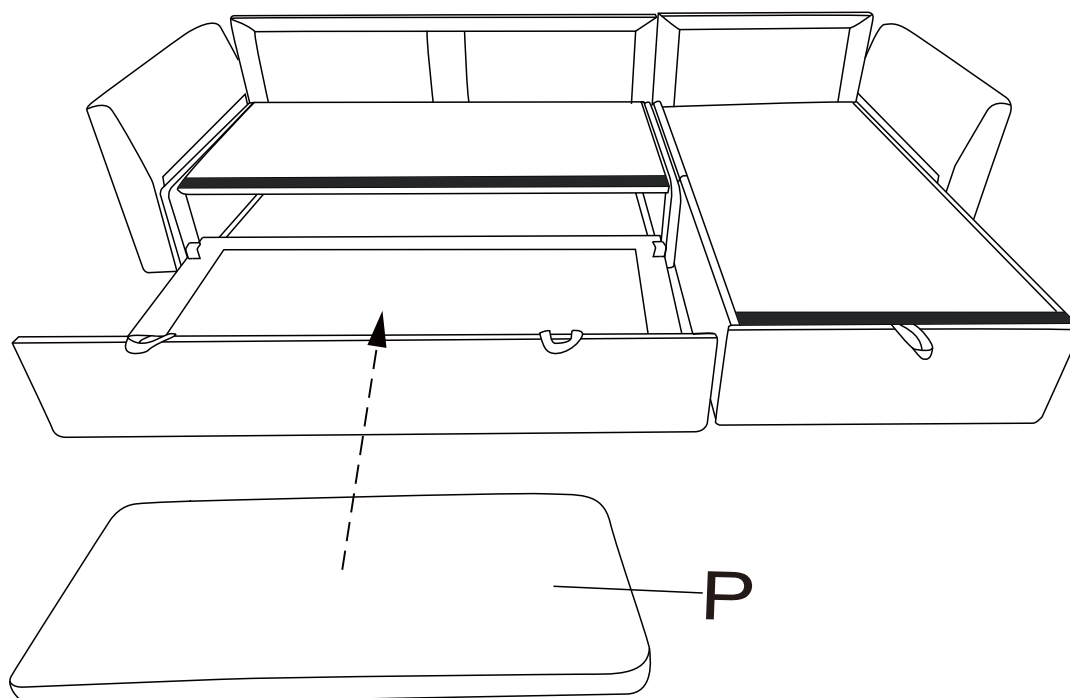


Assembly Steps

Step 19

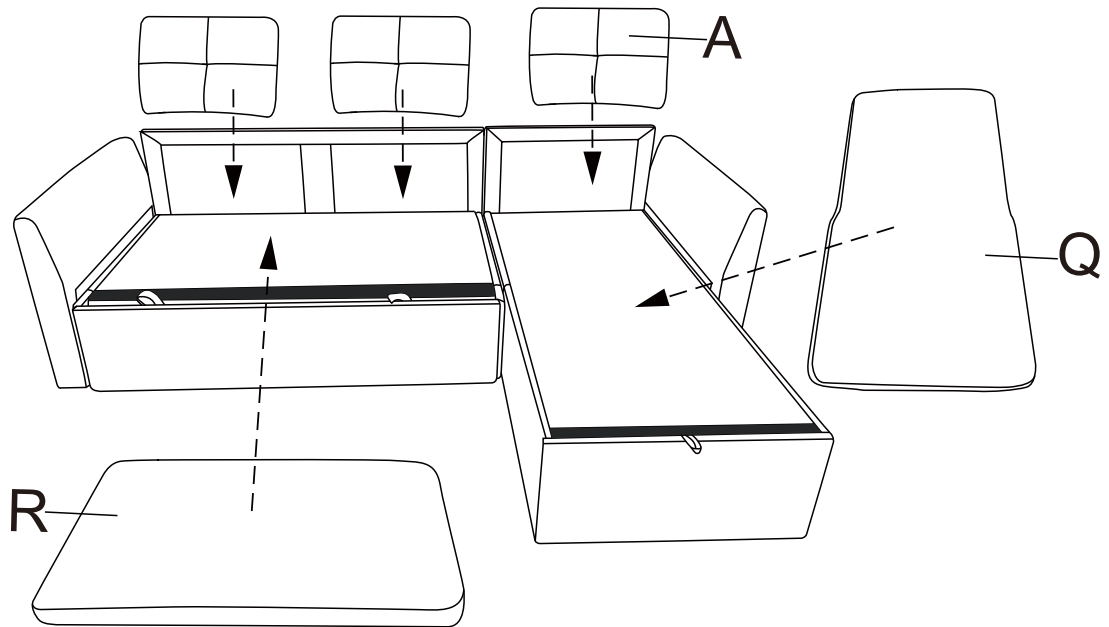


Step 20

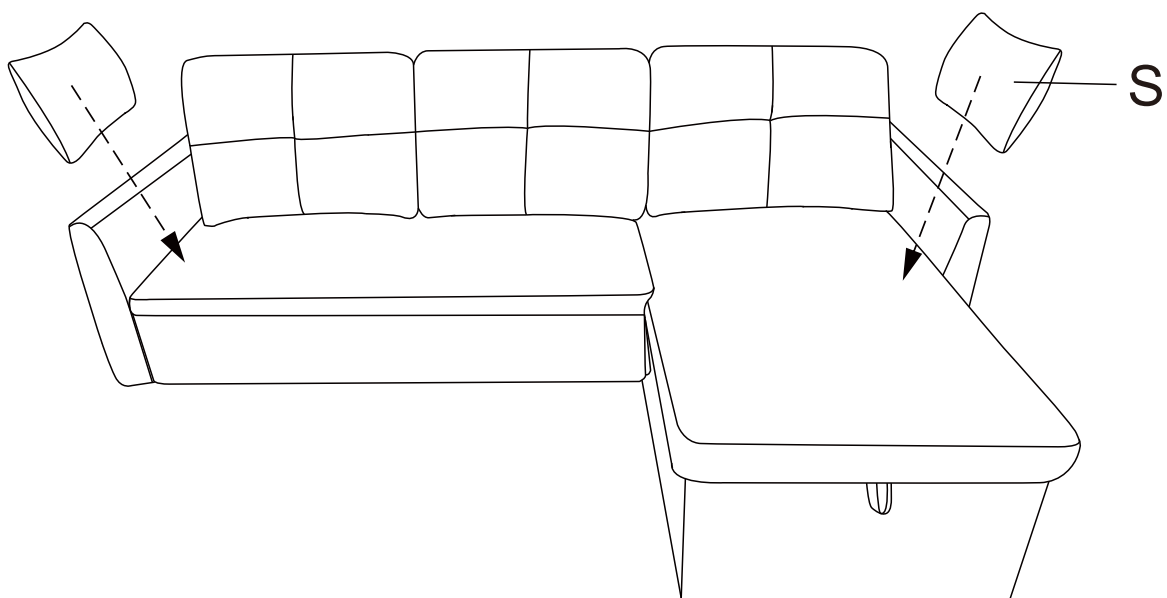


Assembly Steps

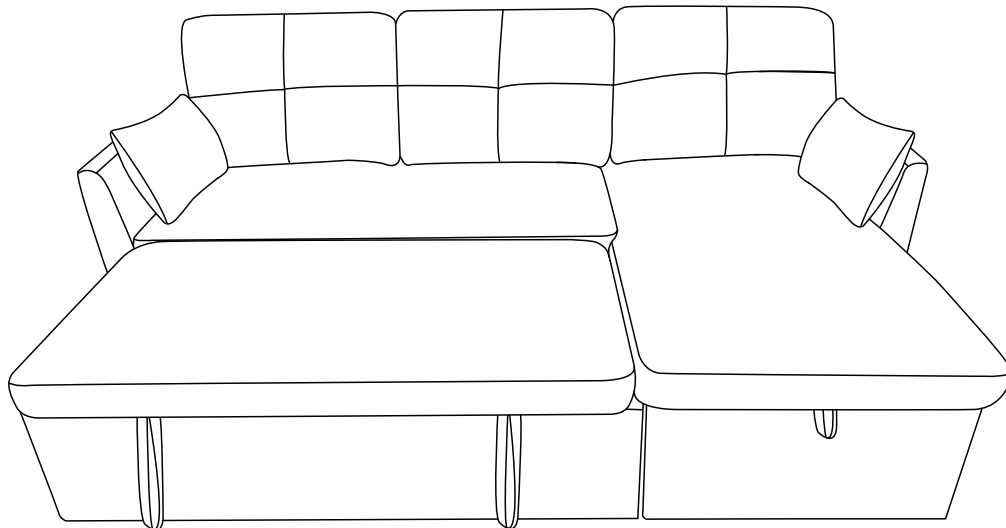
Step 21



Step 22



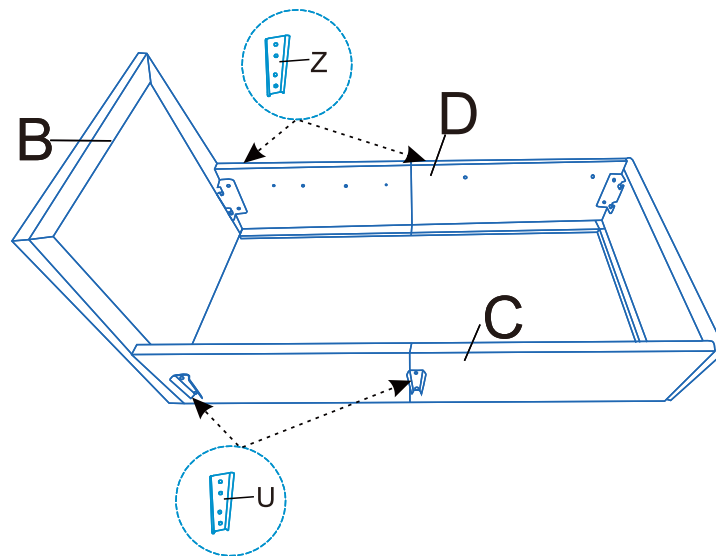
Step 23



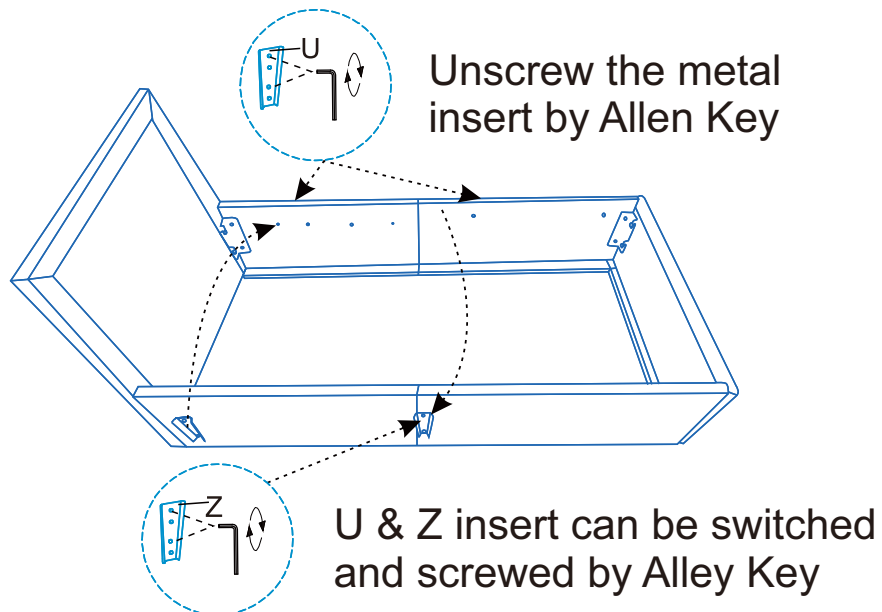
Note: Cushions are vacuum-packed & it may take approximately 72 hours to fully expand to their intended size & shape

To configure the chaise on the left side instead, adjust the positions of metal insert on both sides of chairs following below steps:

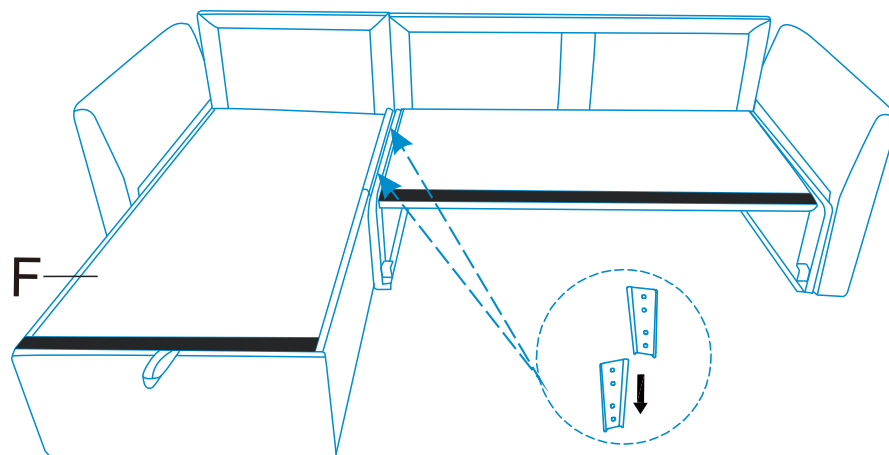
Step 1



Step 2

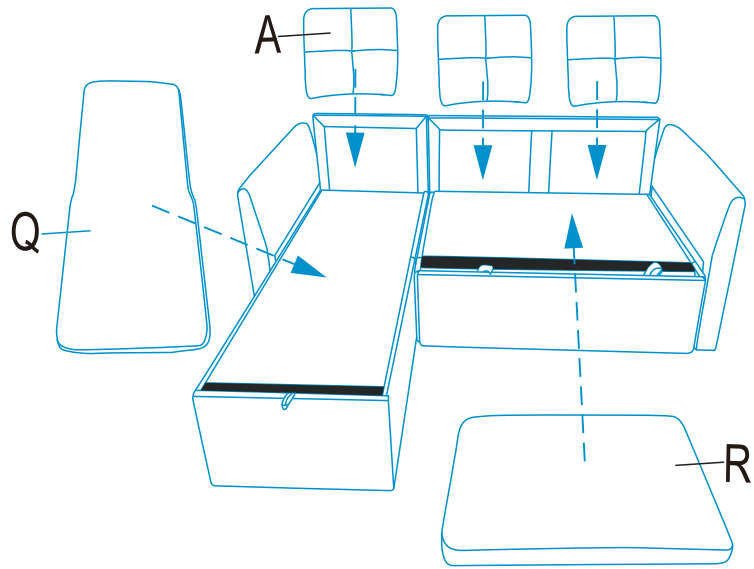


Step 3

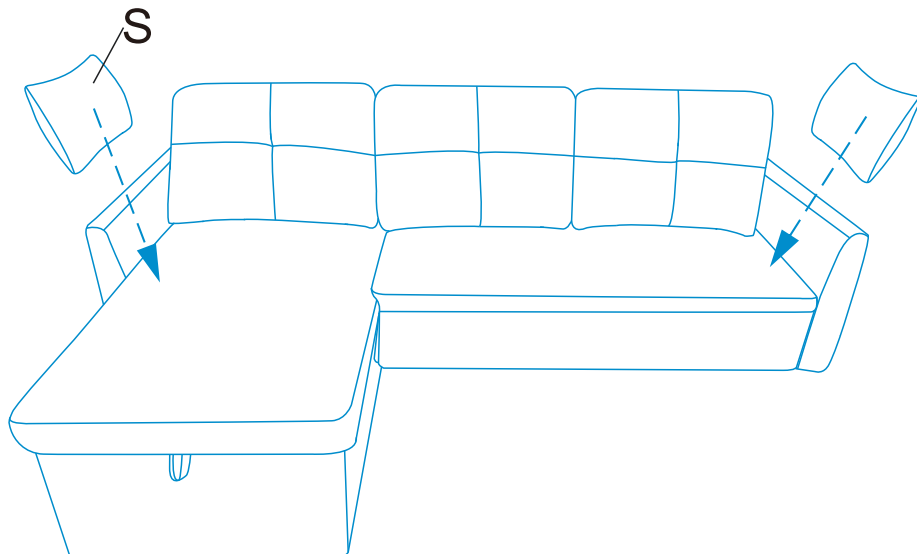


Once U&Z insert are switched, please put the chaise on the left side and insert with sofa bed

Step 4



Step 5



Step 6

