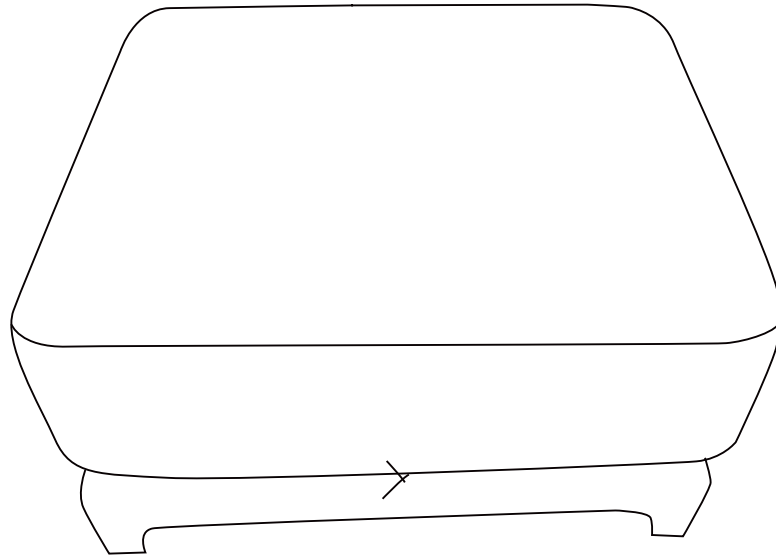


Assembly Manual

Ottoman



Customer Service Before Return:

If part is missing or damaged, or you need help with assembly please do not hesitate to contact us.

SELLER CONTACT INFORMATION:

cpcontacts@163.com

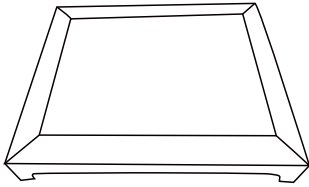
Before Assembly

IMPORTANT NOTE:

1. Make sure all parts and hardware are included and free of obvious defect before disposing of any packaging.
2. Place all wooden parts on a clean and smooth surface such as a rug or carpet to avoid the parts from being scratched.
3. Do not tighten all screws and bolts until completely assembled.
4. Assembly will require two people.

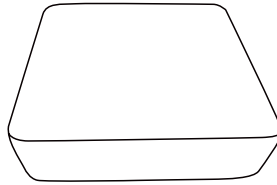
Part List

M



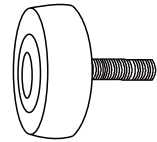
Seat frame*1

N



Seat cushion*1

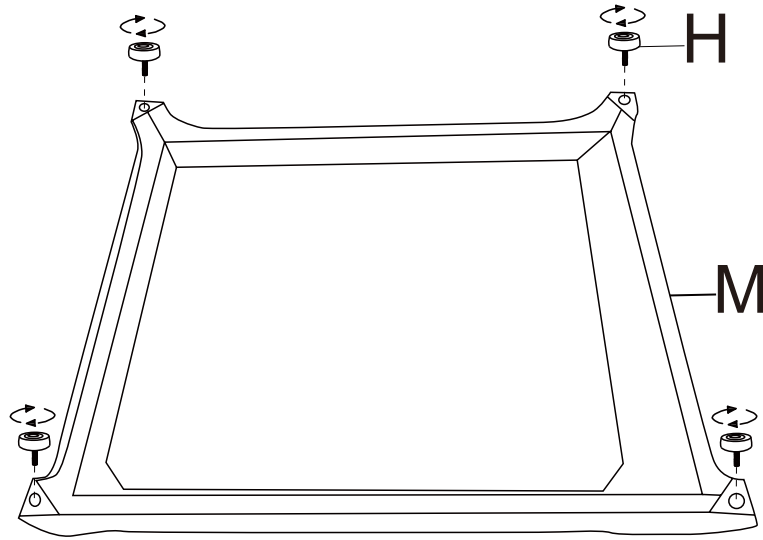
H



Leg*4

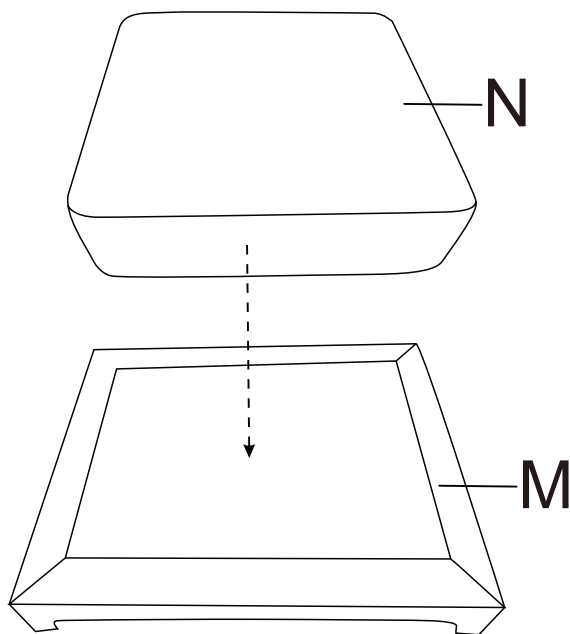
Step 1

Assemble the leg (H) to the middle seat frame (M).



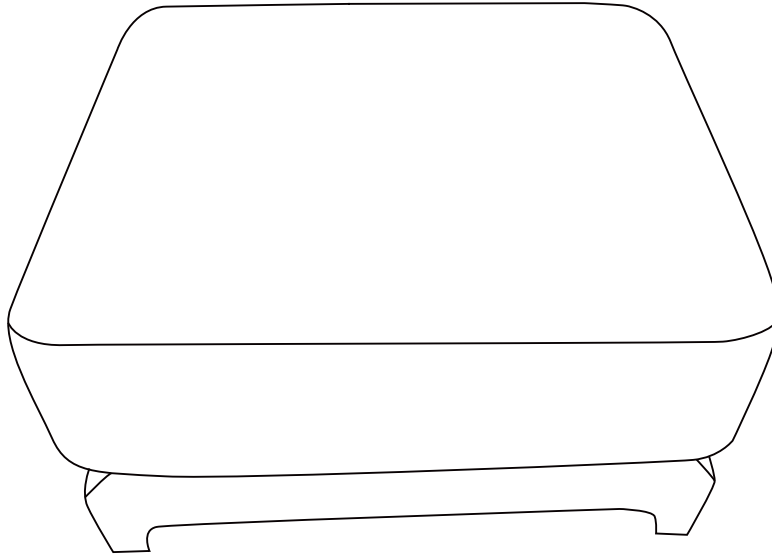
Step 2

Put seat cushion(N) to the sofa.



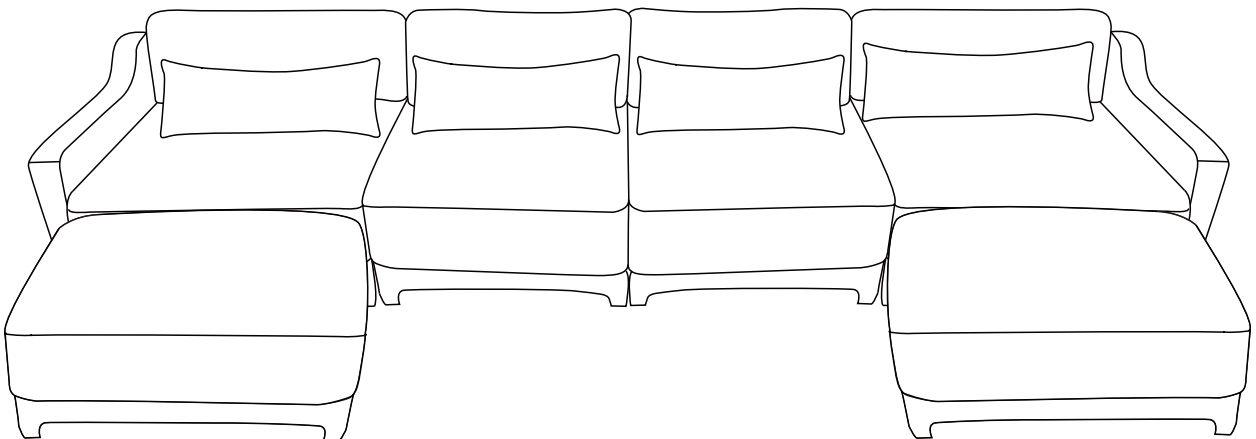
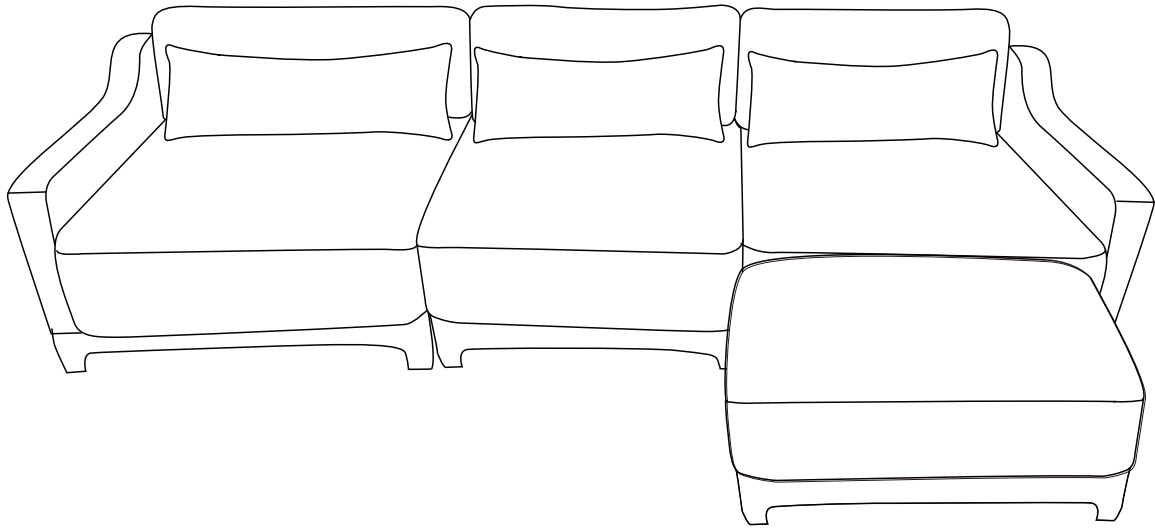
Step 3

Completed .



Assembly Instruction

Please install according to the combination method purchased



Note: Cushions are vacuum-packed & it may take approximately 72 hours to fully expand to their intended size & shape