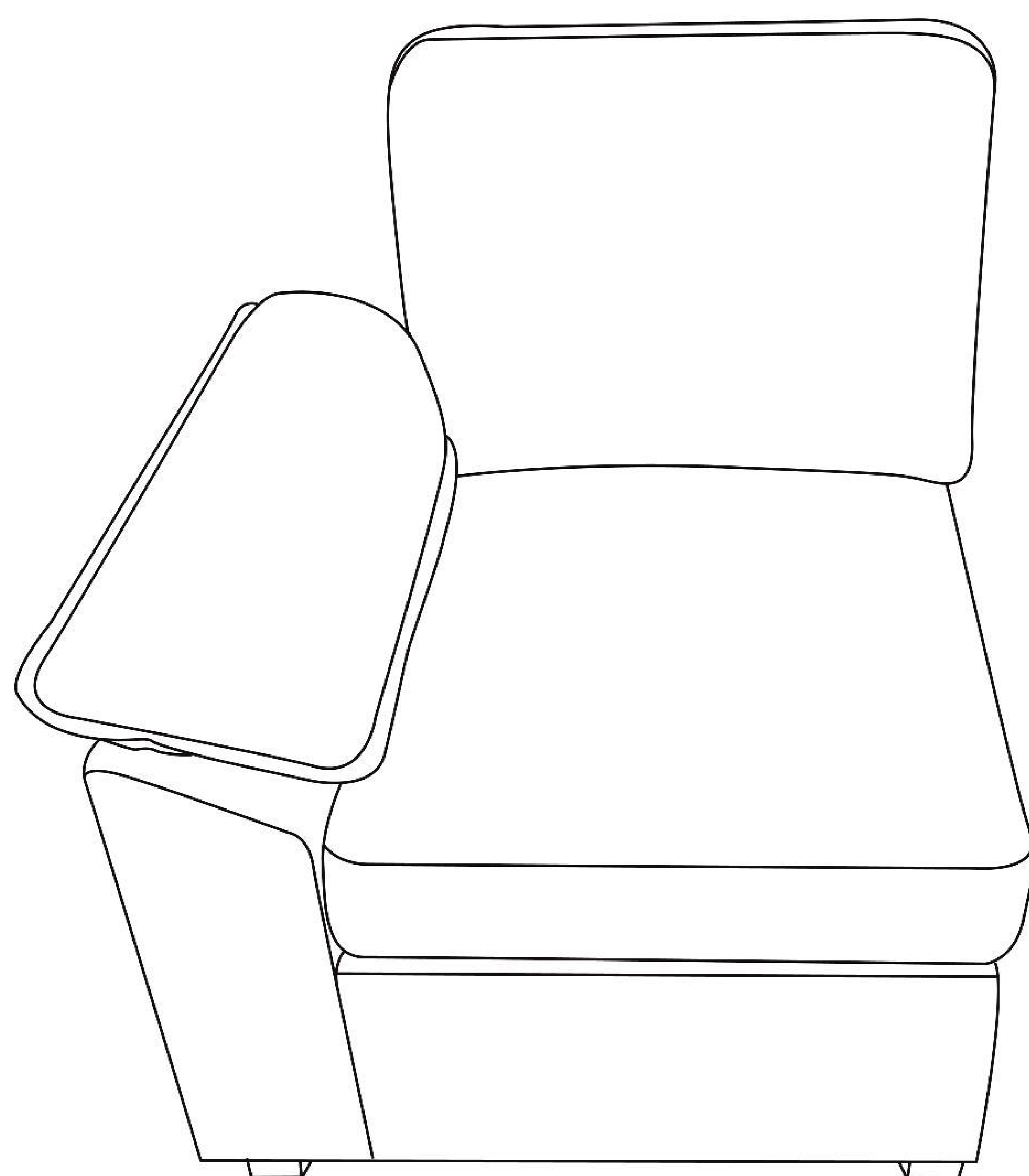


Assembly Manual

Arm Seat



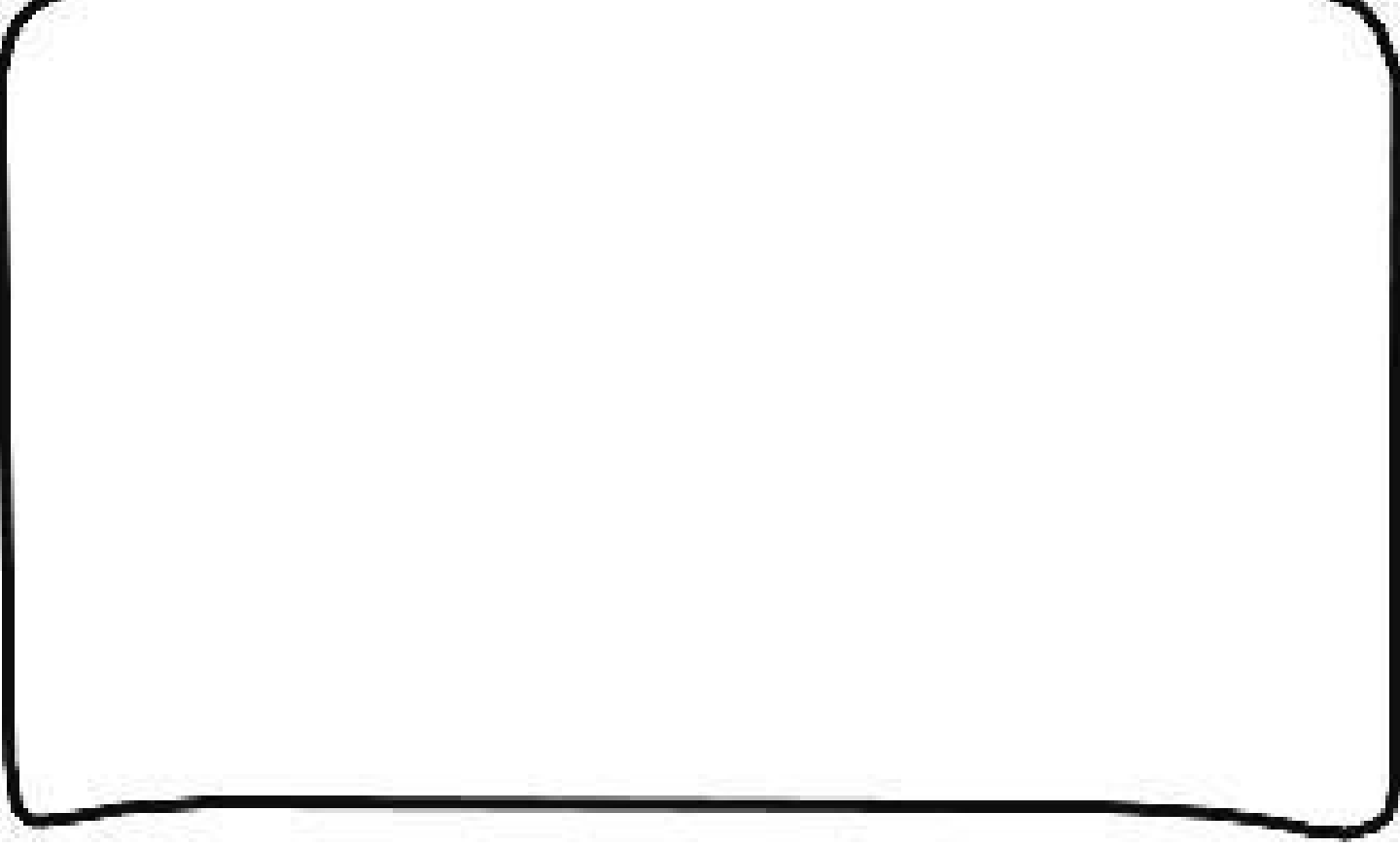
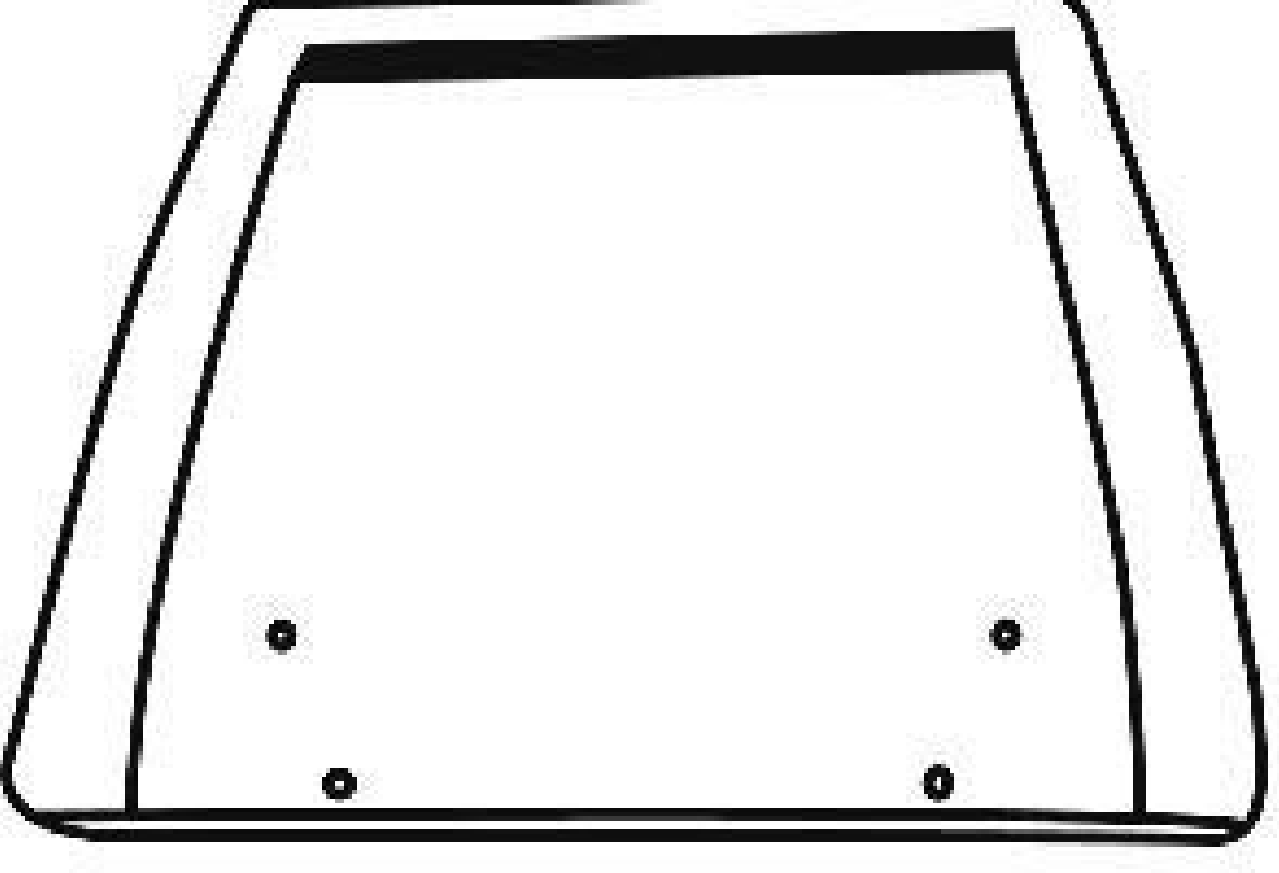
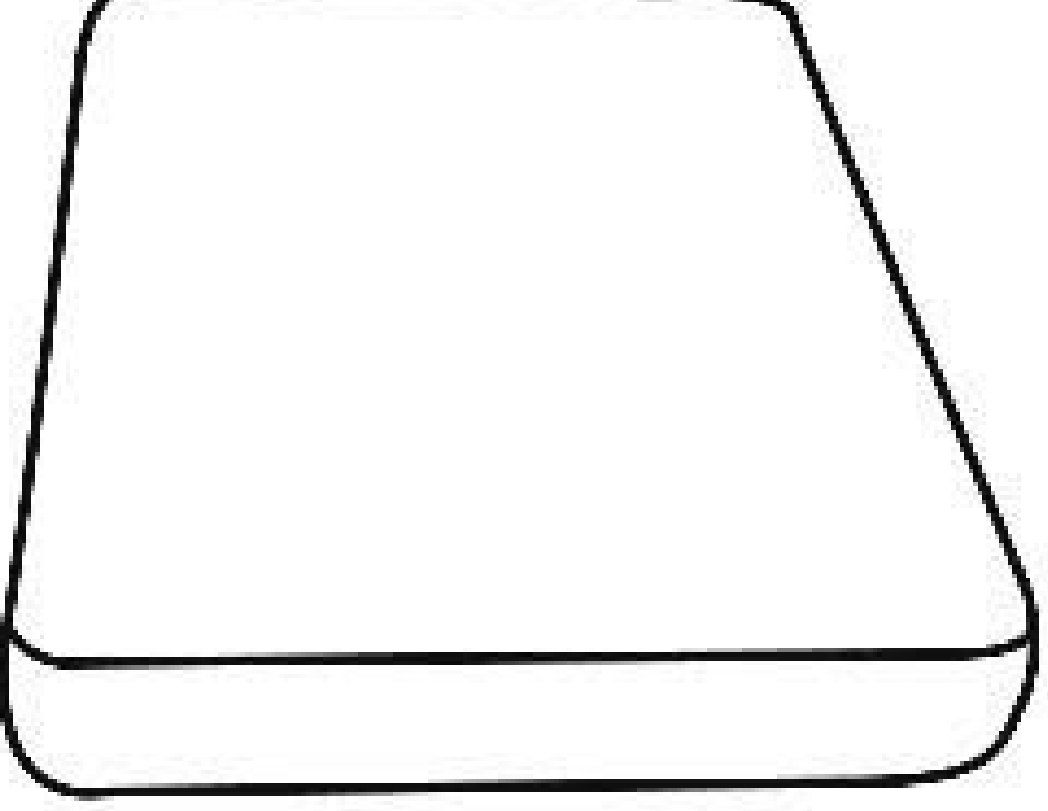
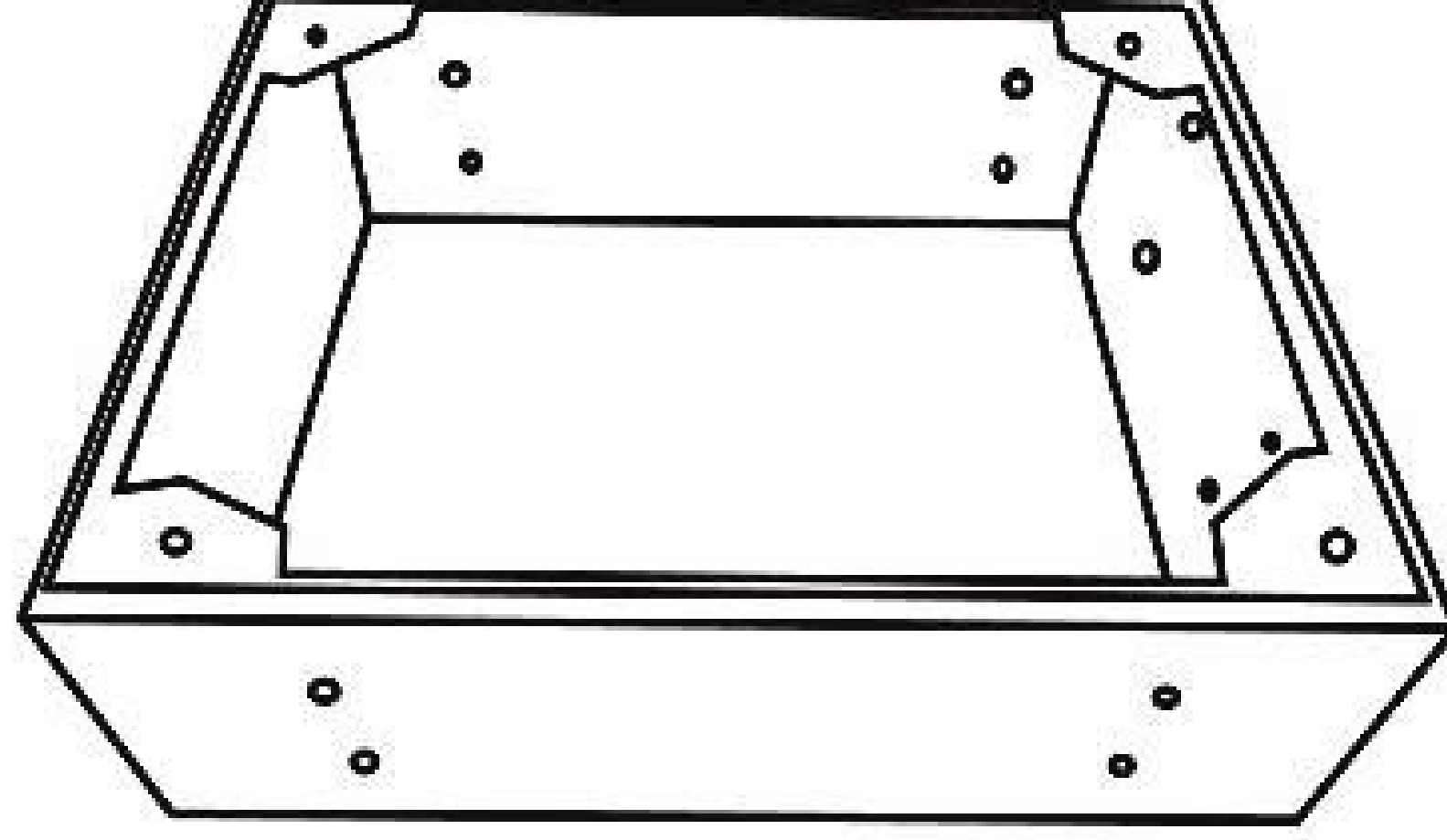
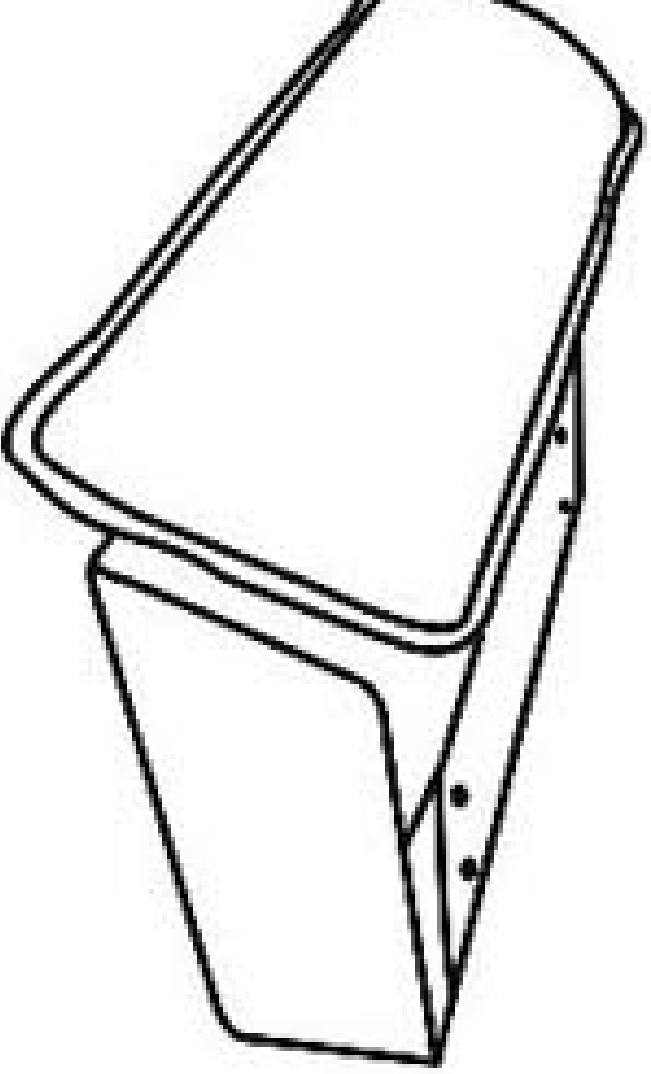
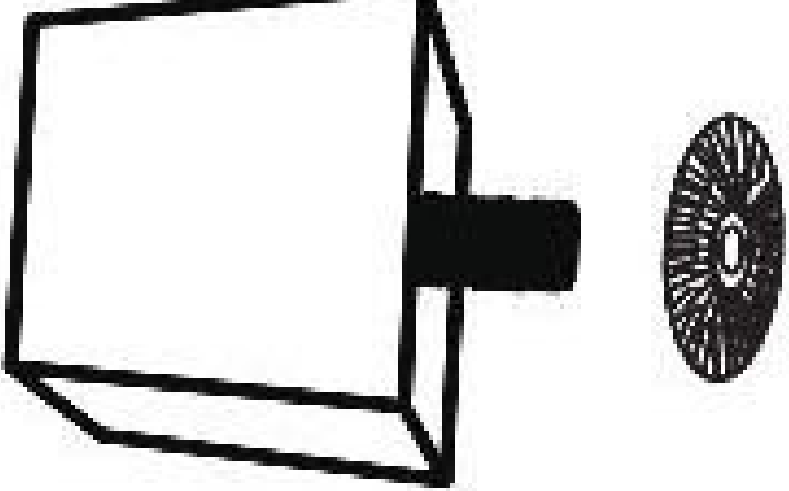
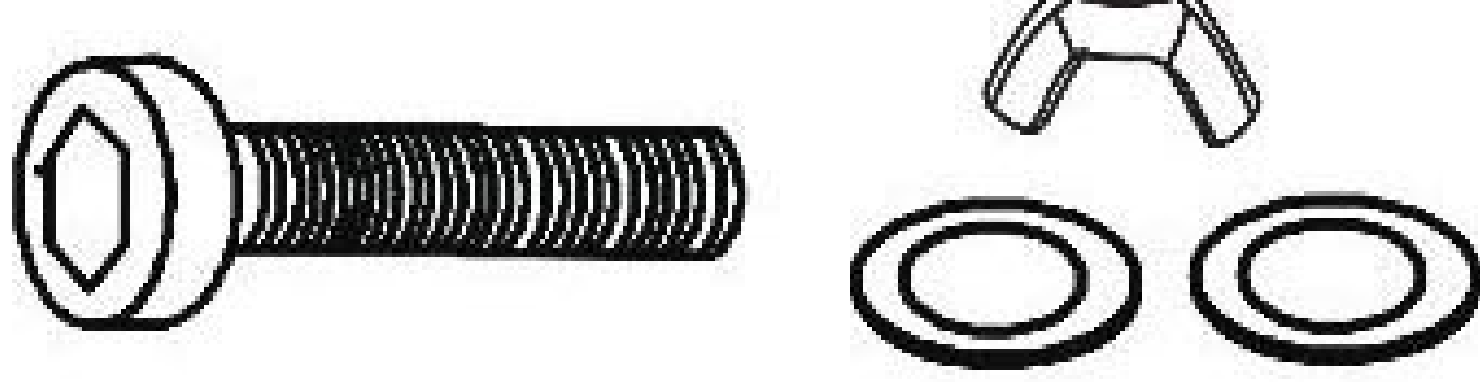
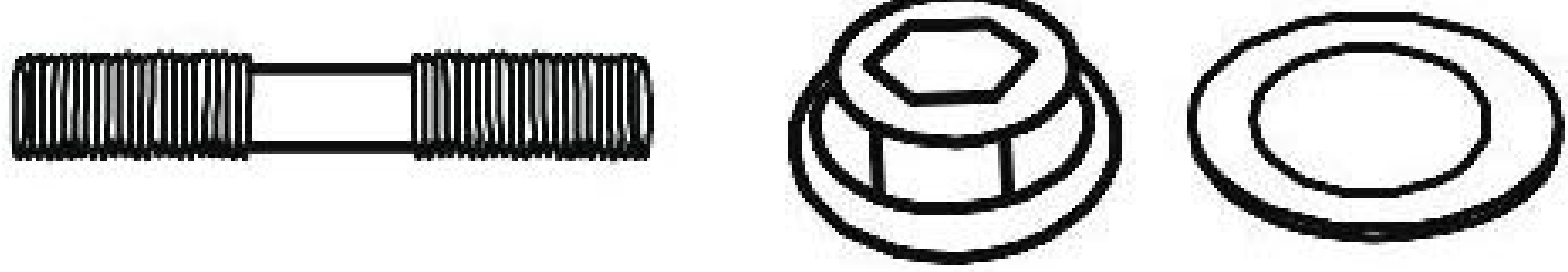

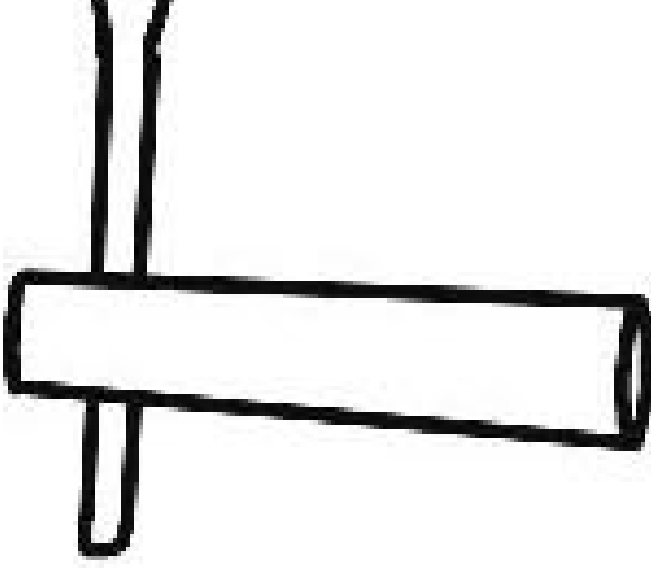
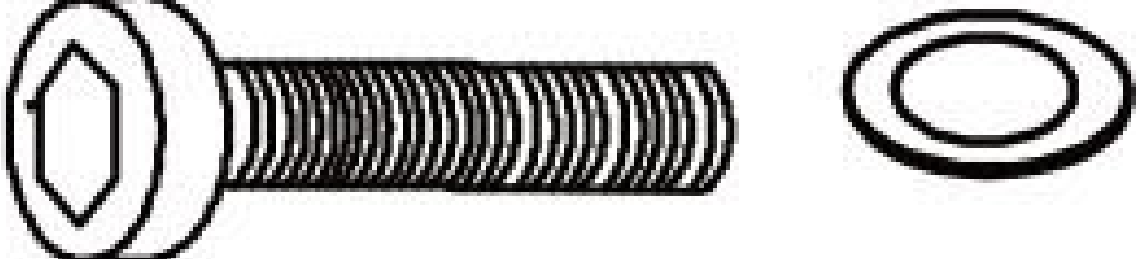
Assembly Instructions

Before Assembly

IMPORTANT NOTE:

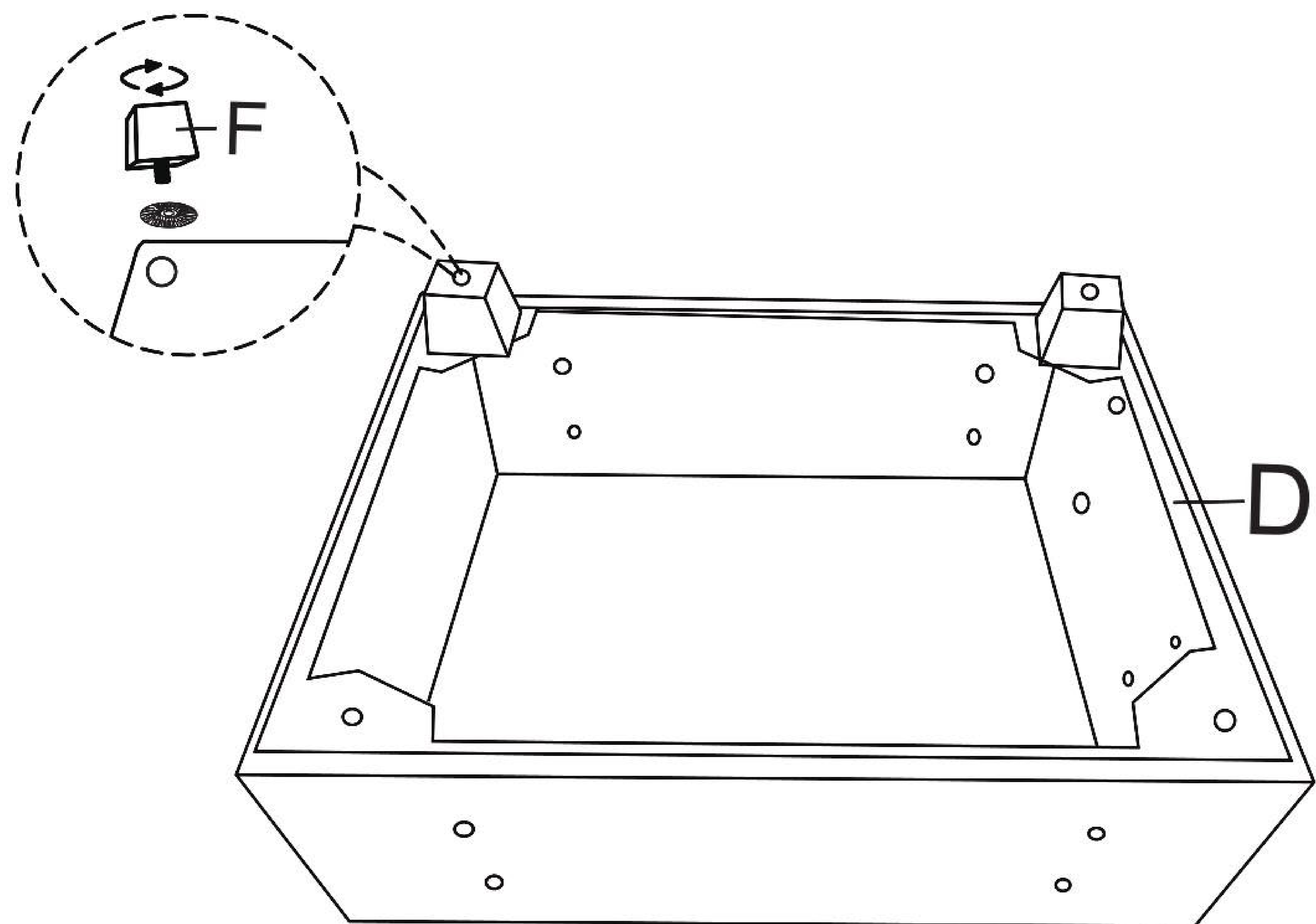
1. Make sure all parts and hardware are included and free of obvious defect before disposing of any packaging.
2. Place all wooden parts on a clean and smooth surface such as a rug or carpet to avoid the parts from being scratched.
3. Do not tighten all screws and bolts until completely assembled.
4. Assembly will require two people.

Part List

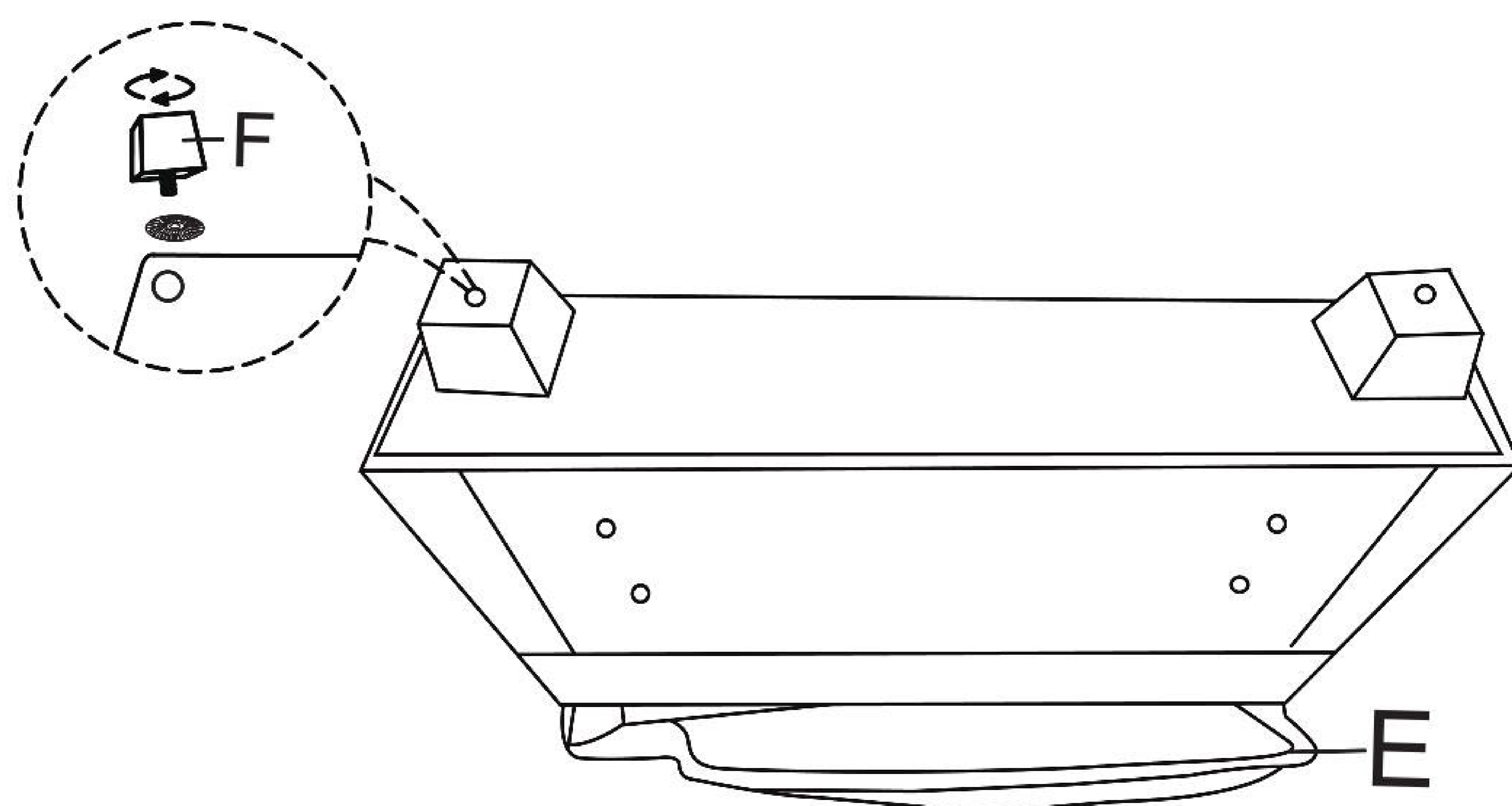
A		Back cushion	1
B		Back armrest	1
C		Cushion	1
D		Seat	1
E		<p>Arm</p> <p>The armrests are packed in a separate carton.</p>	1
F		Foot	2
G		Wrench	4
H		Wrench	4
I		Screw	1
J		Screw	1
Z		<p>Screw</p> <p>The screws are packed in the arm seat carton.</p>	4

Single note

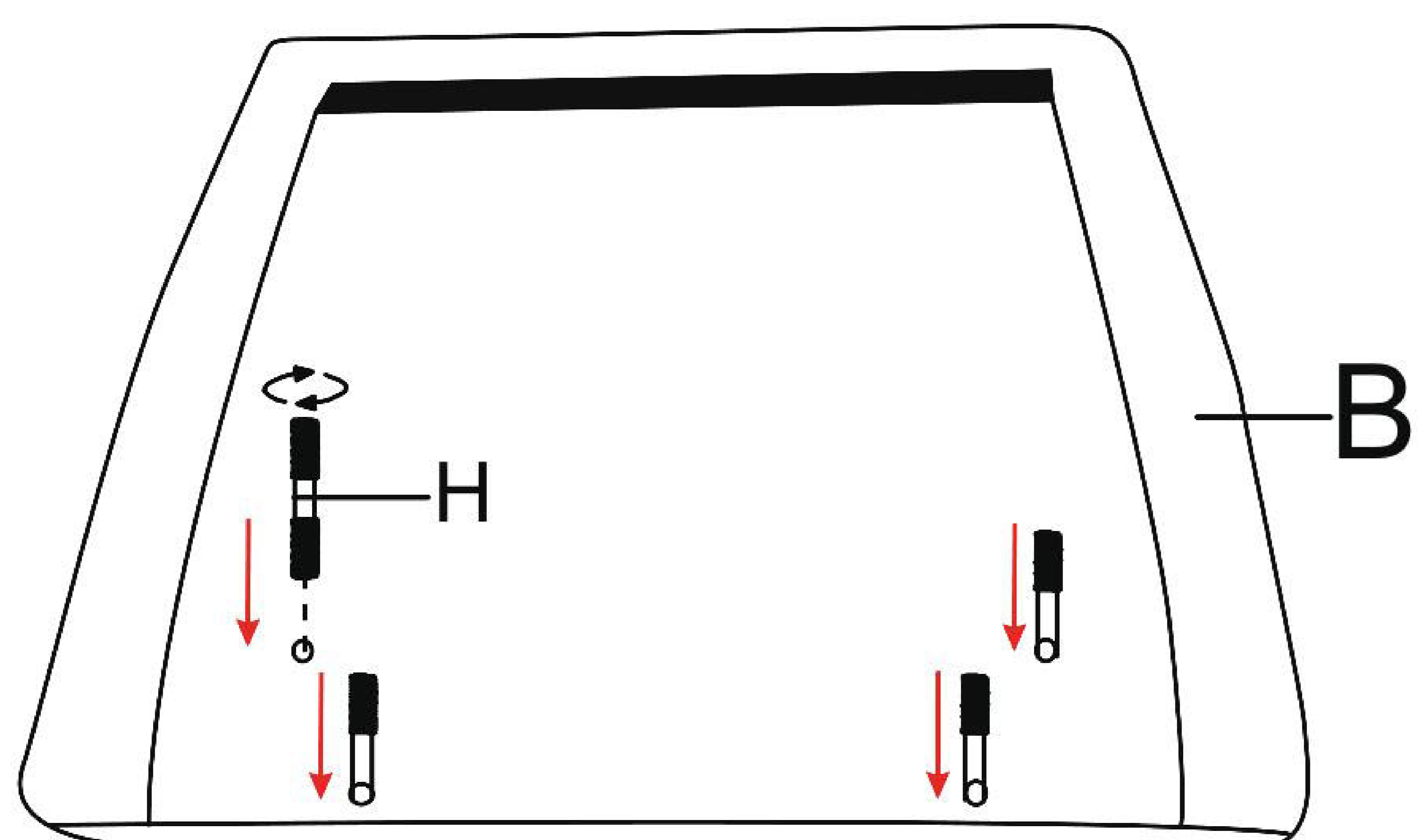
1



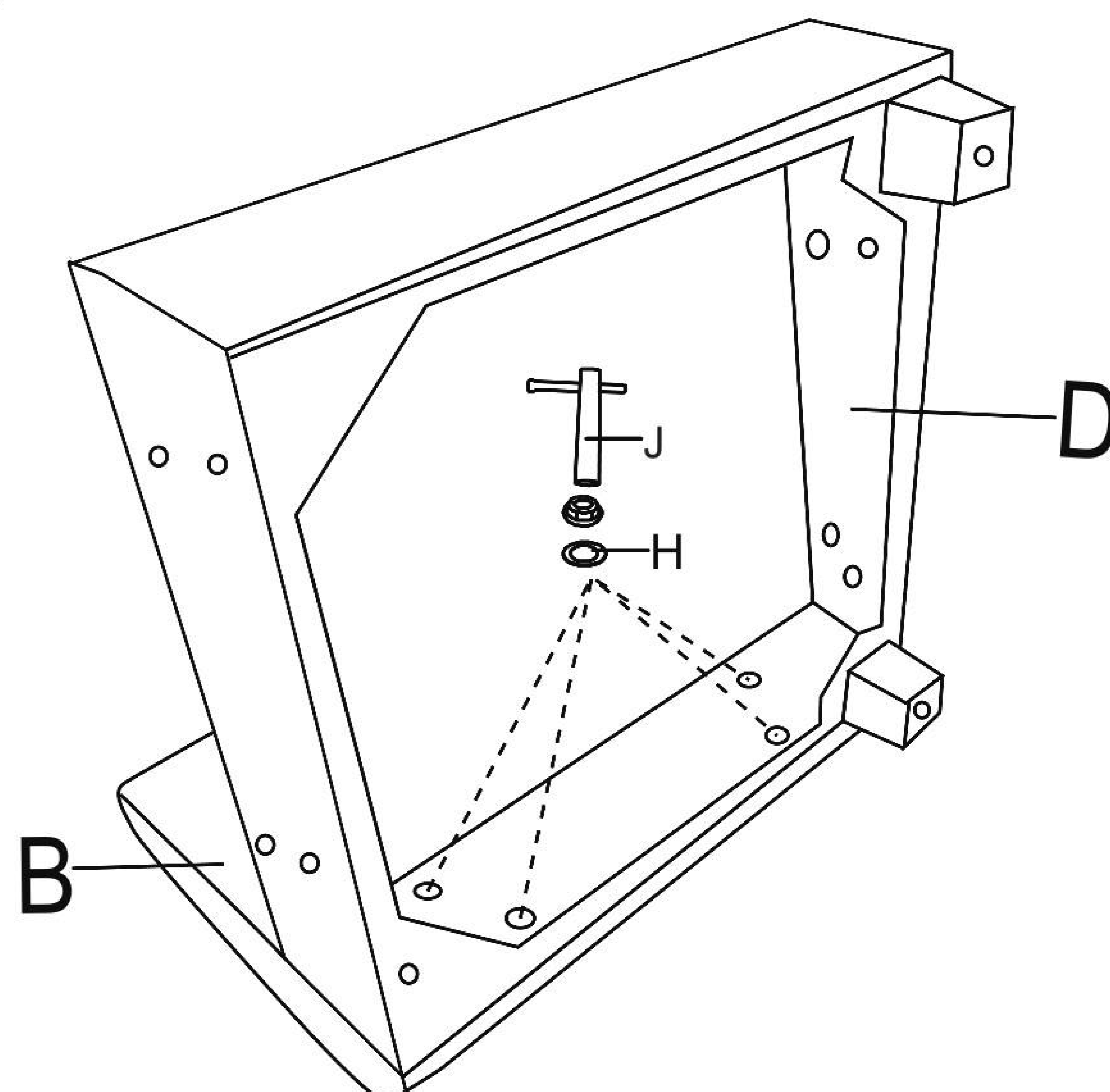
2



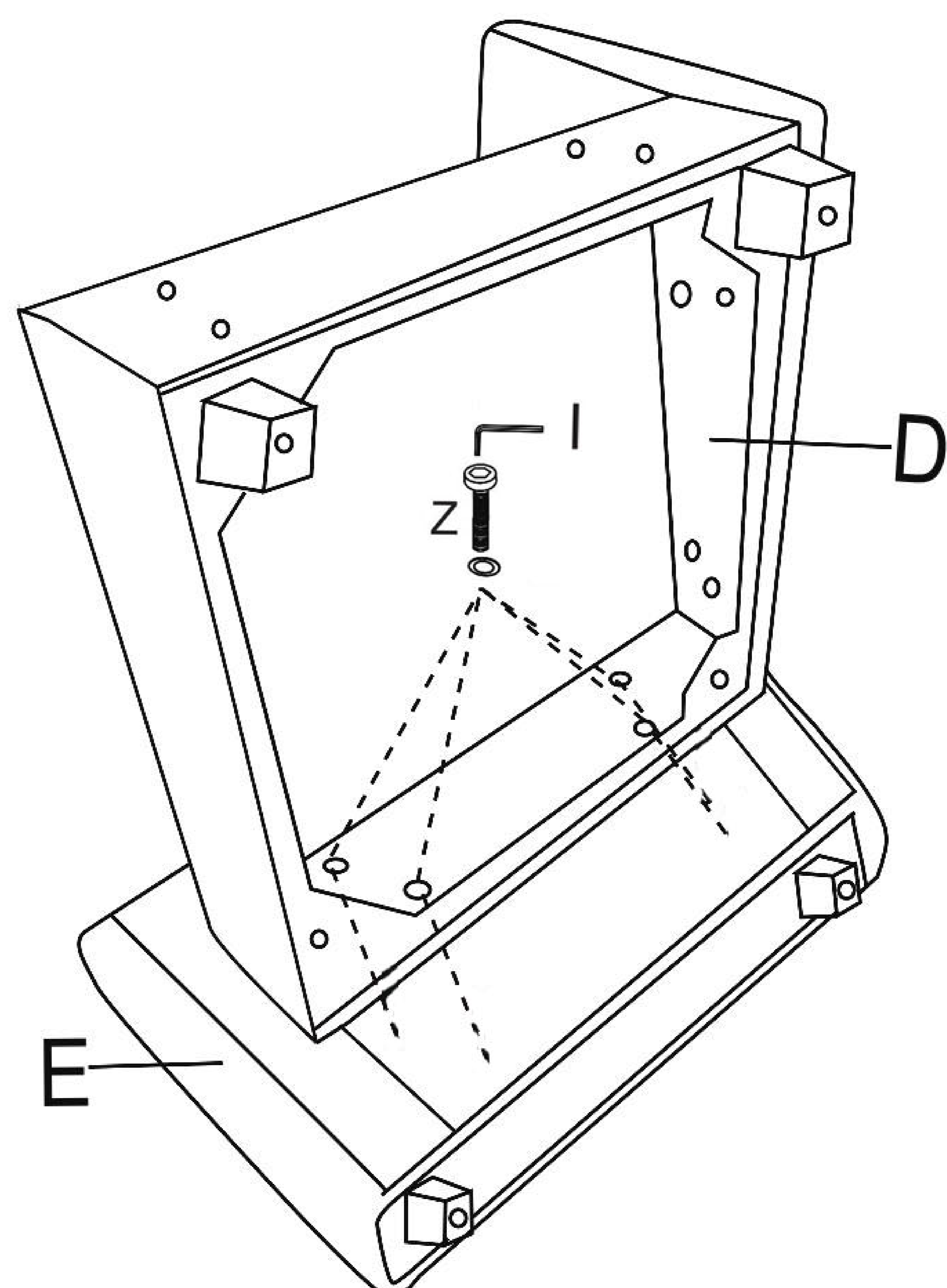
3



4

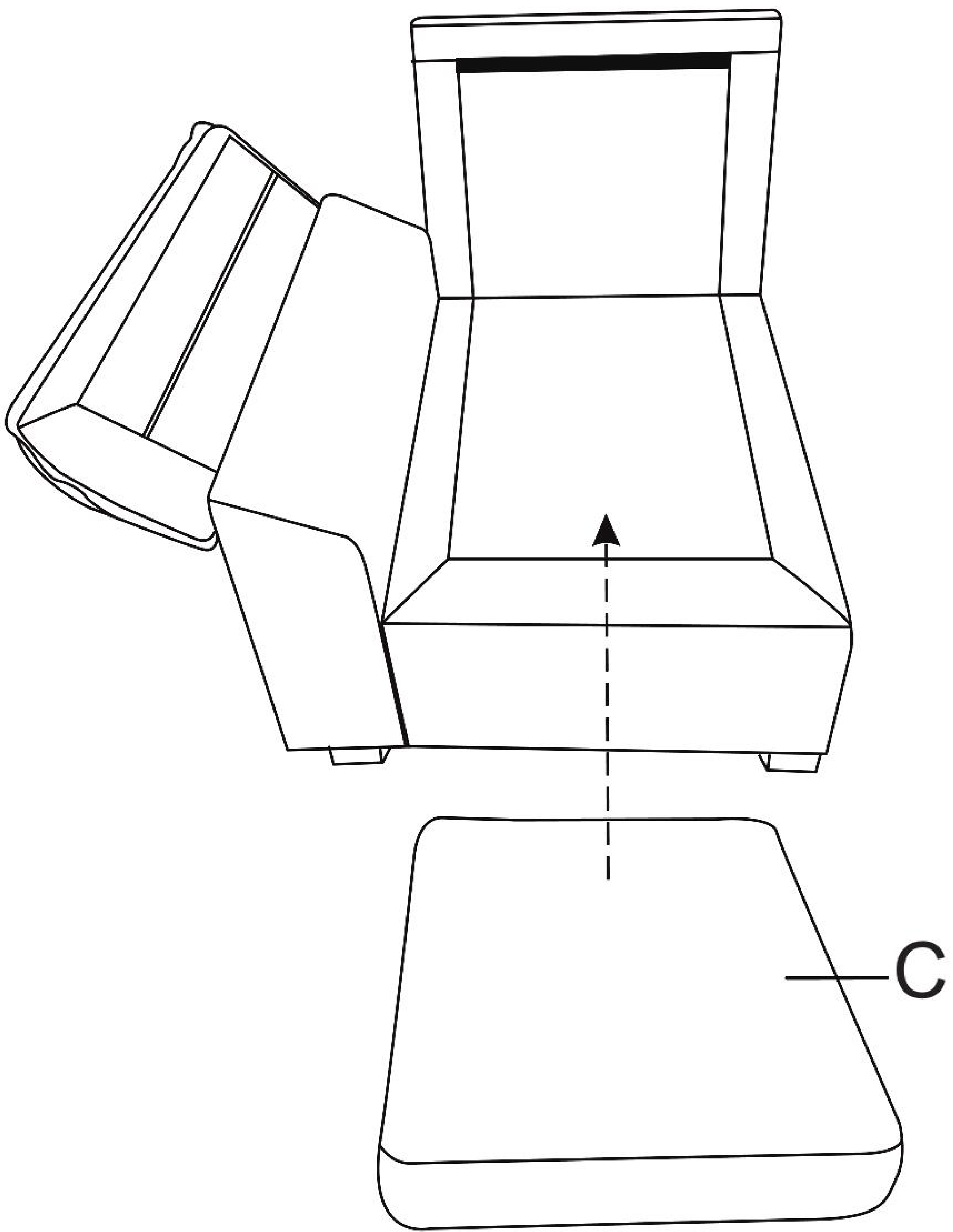


5

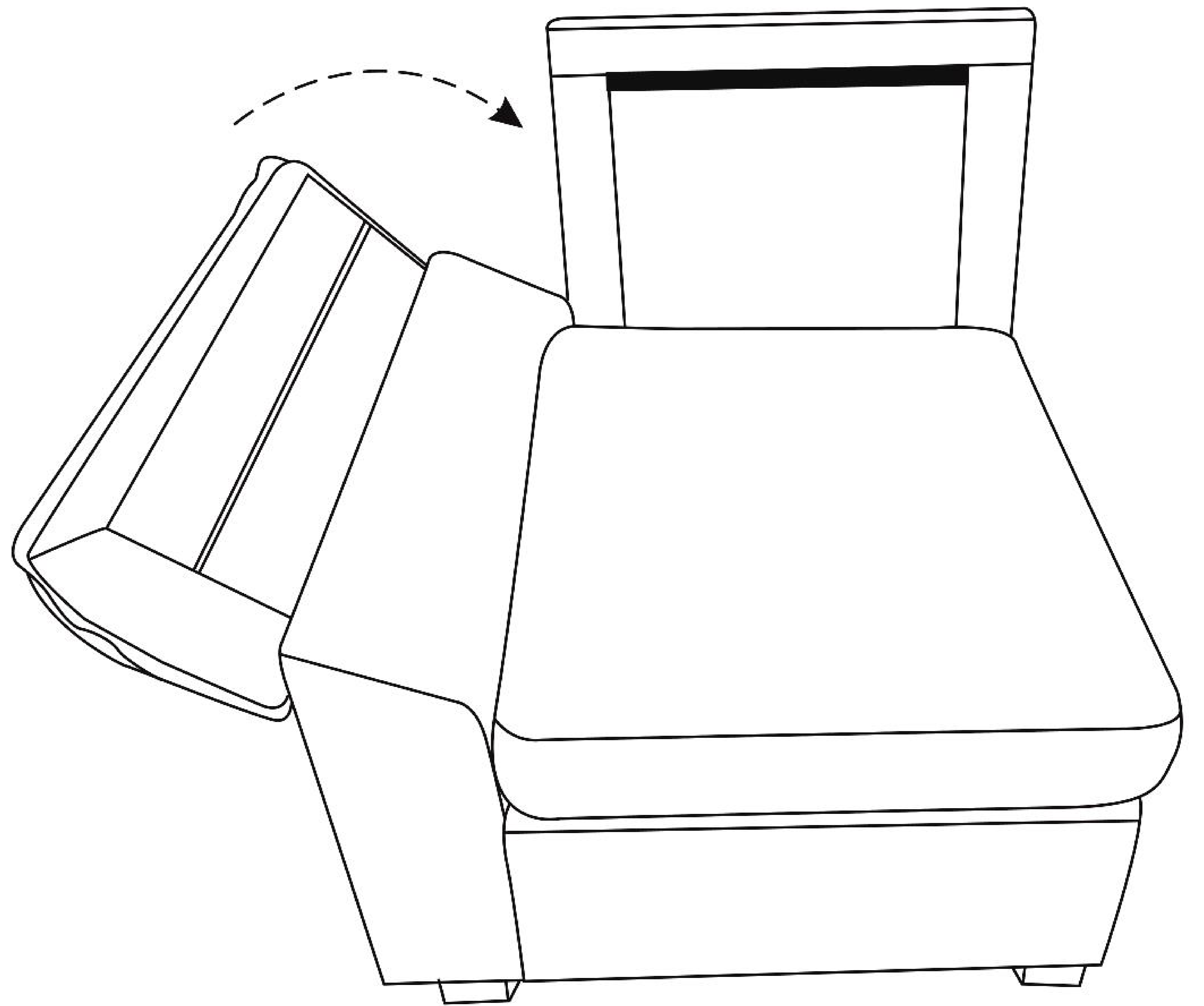


Single note

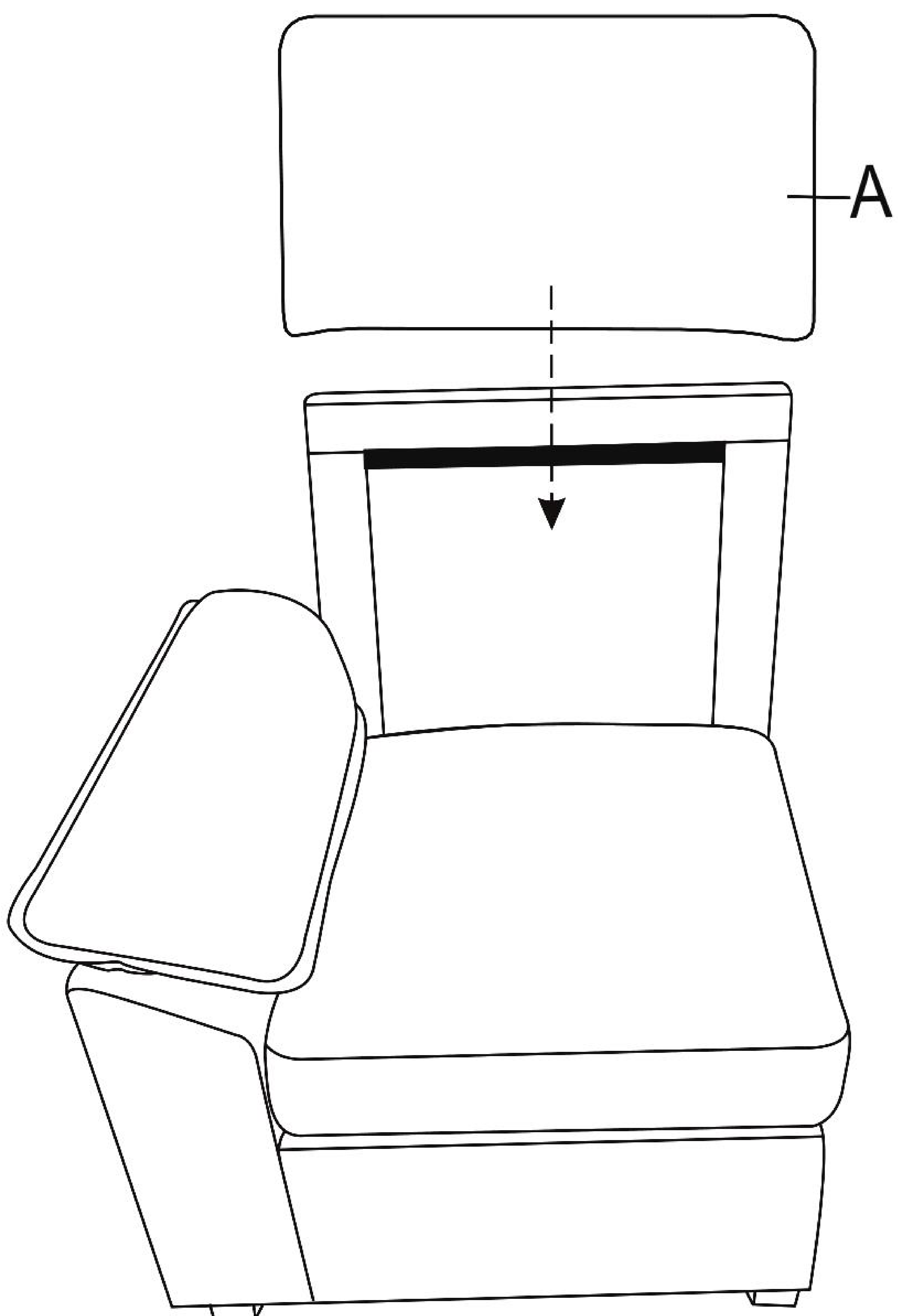
6



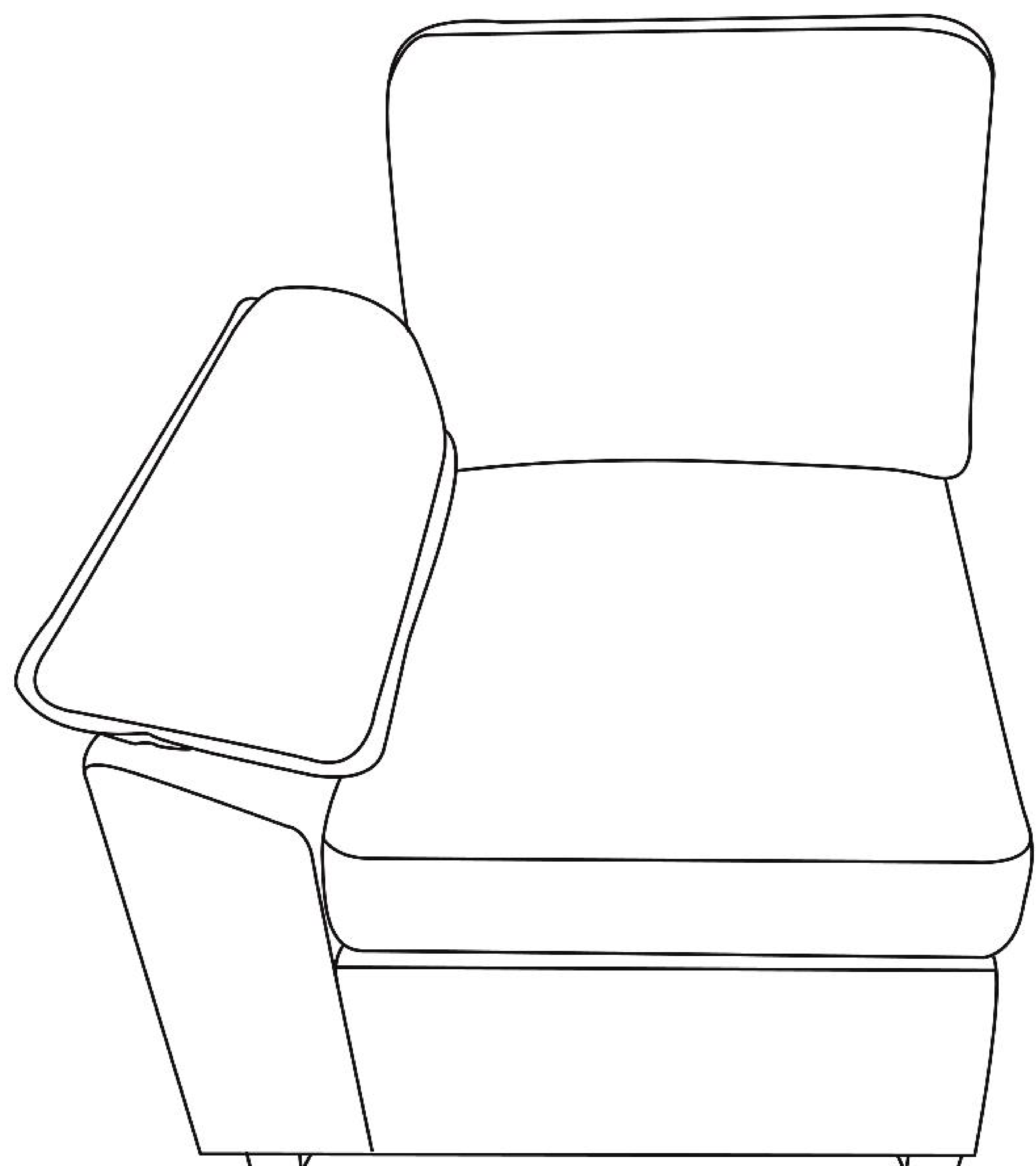
7



8



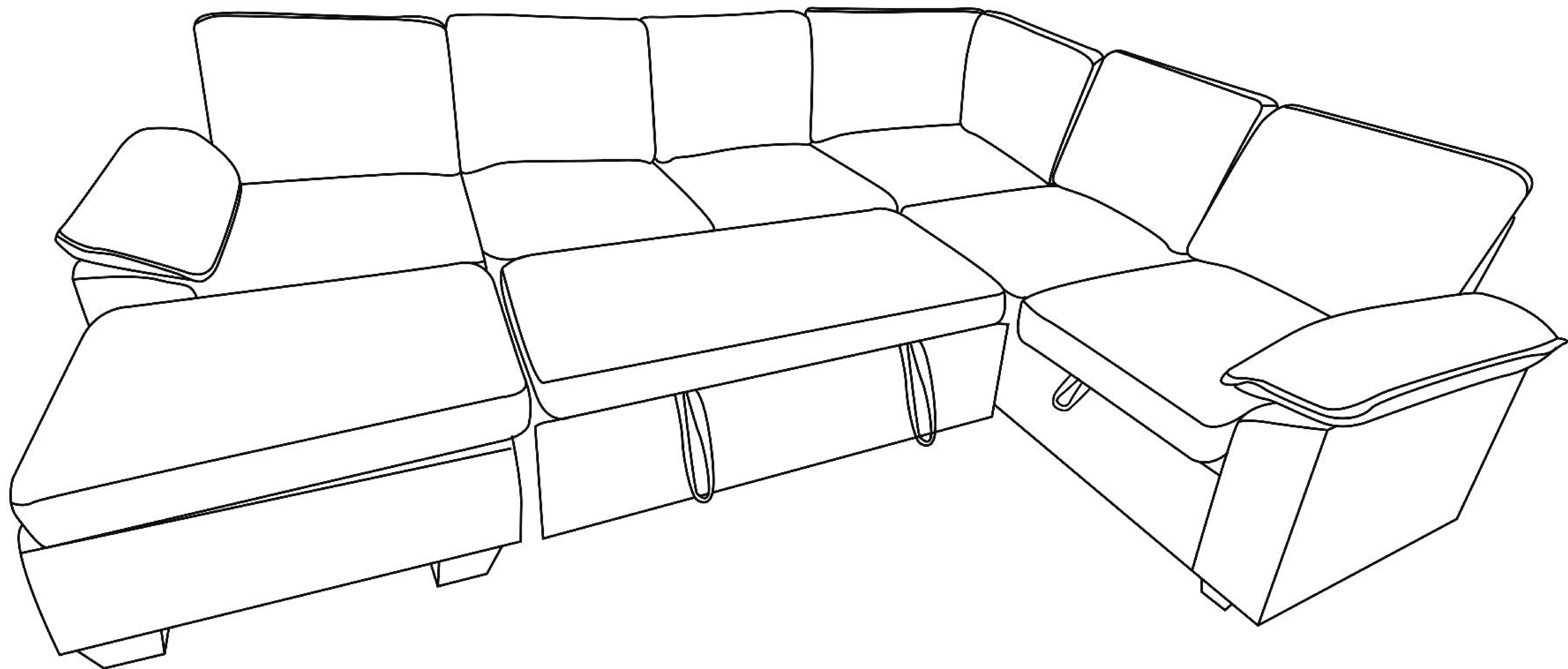
9



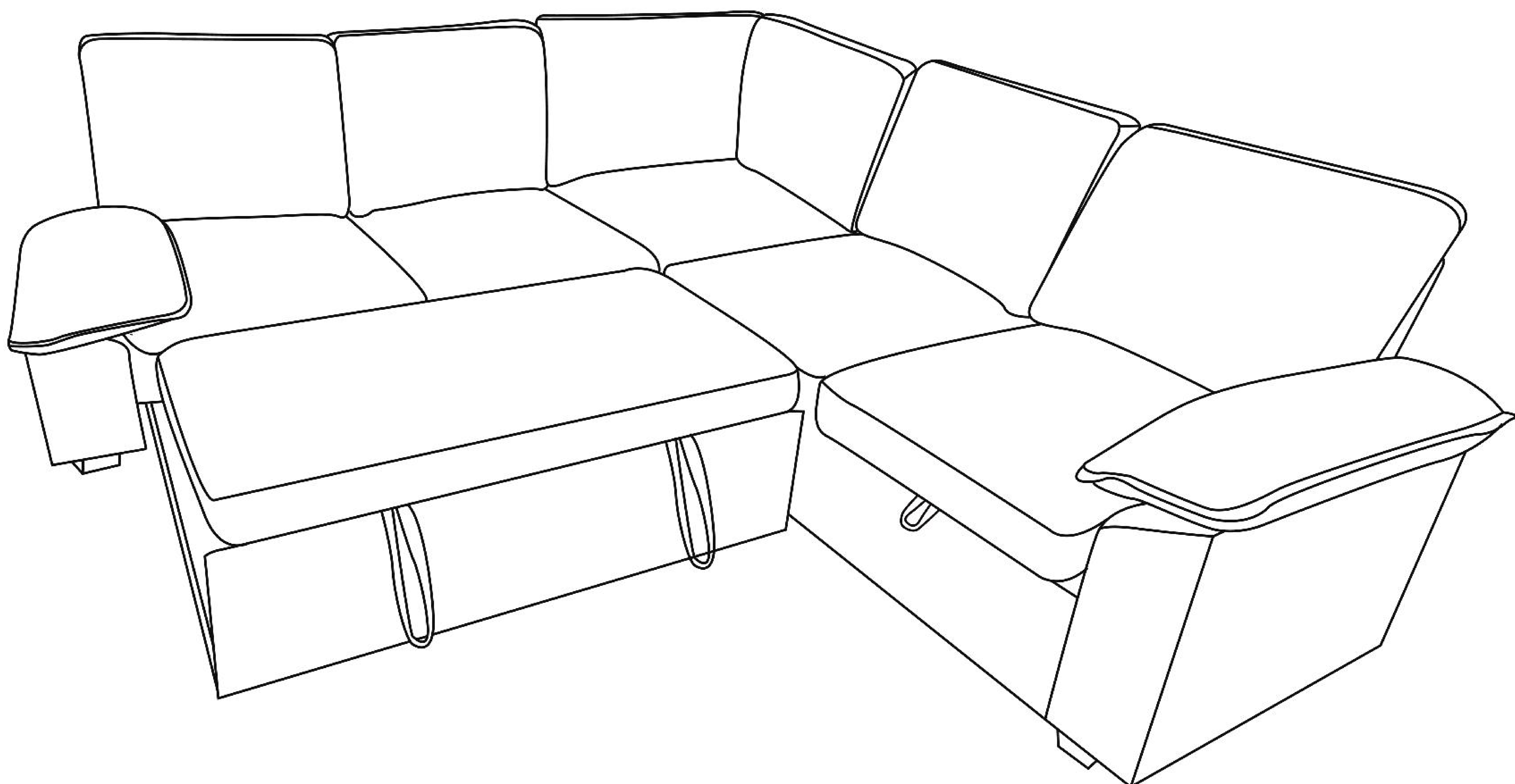
Combination Mode Display

(Please combine each part based on the mode you purchased)

Combination Mode 1



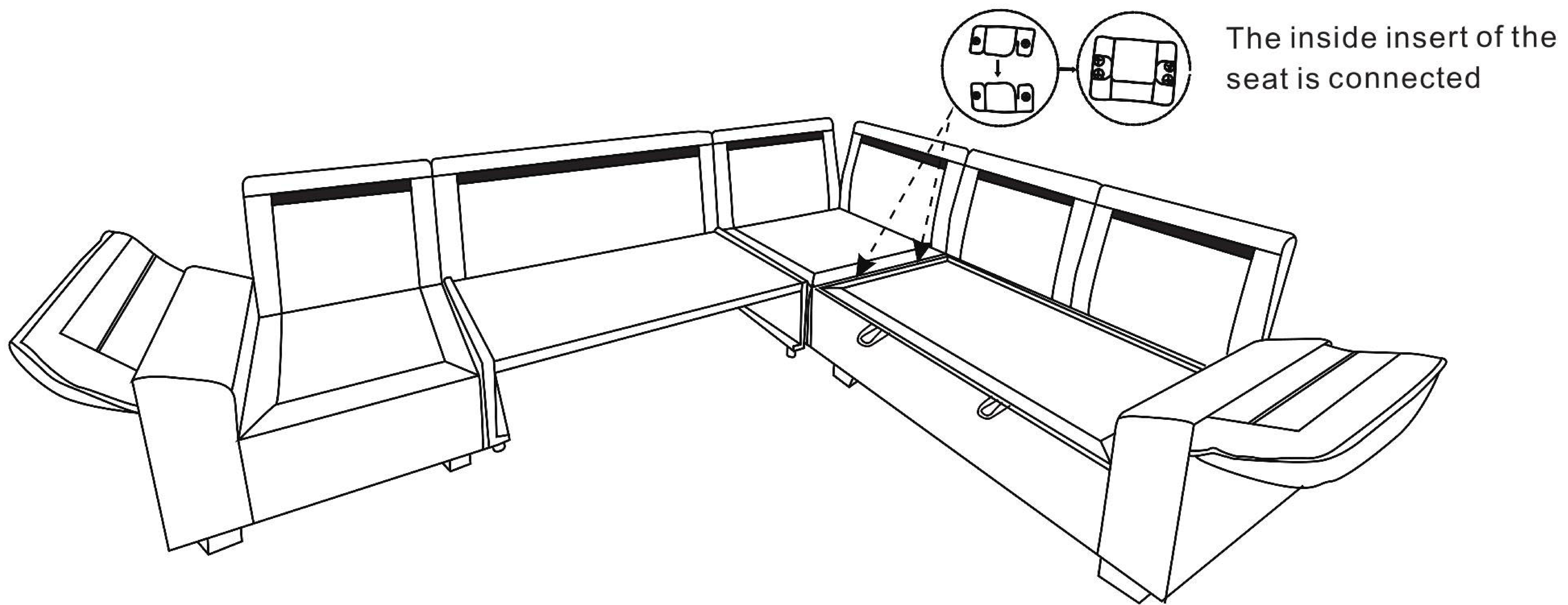
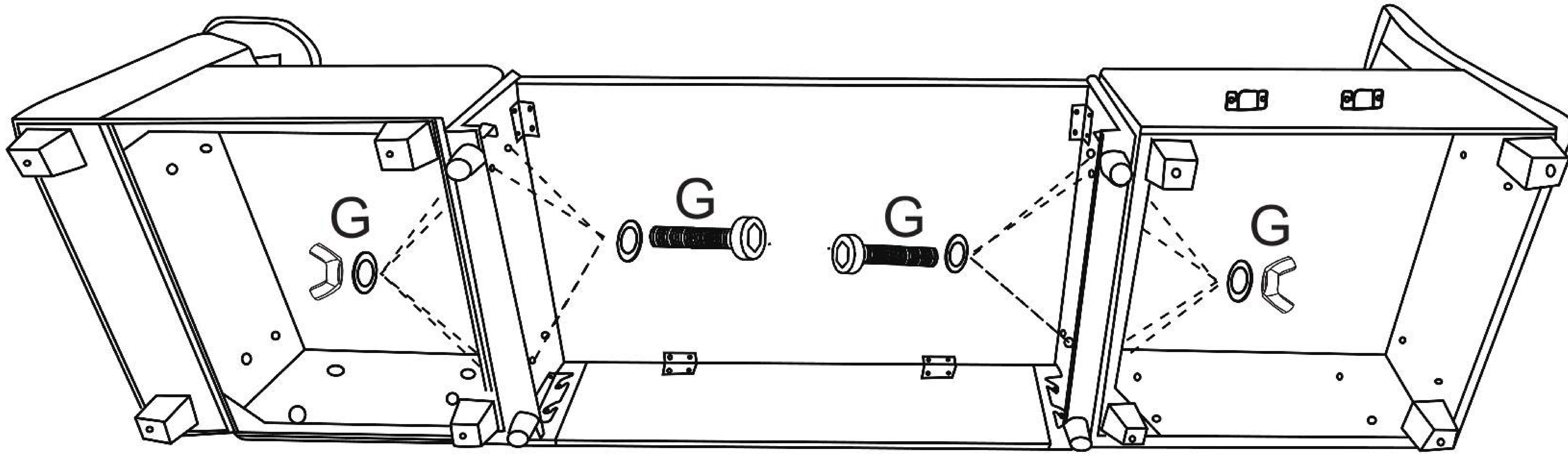
Combination Mode 2



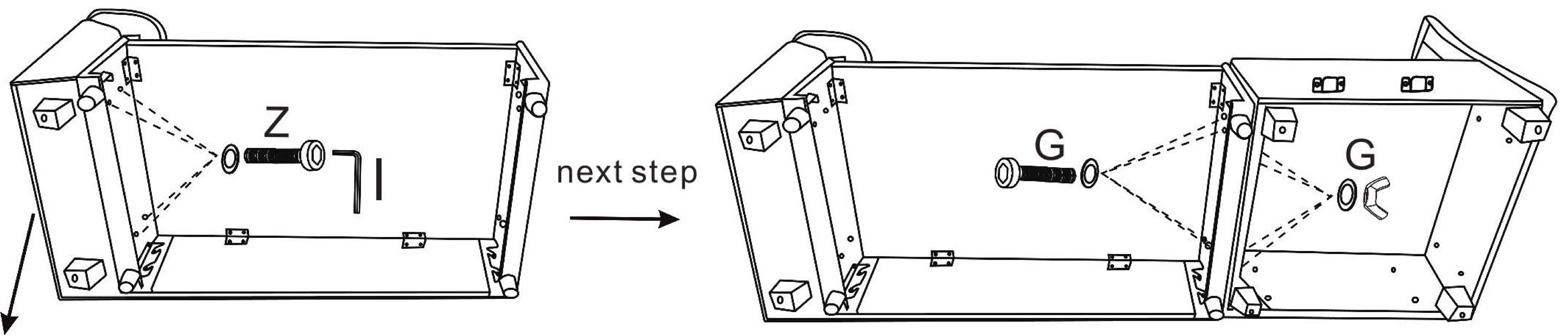
Note: cushions are vacuum-packed and it may take approximately 72 hours to expand to their intended size and shape fully

Fixed Seat Mode

Combination Method for Model 1



Combination Method for Model 2



The armrests are packed in a separate carton.

The inside insert of the seat is connected

