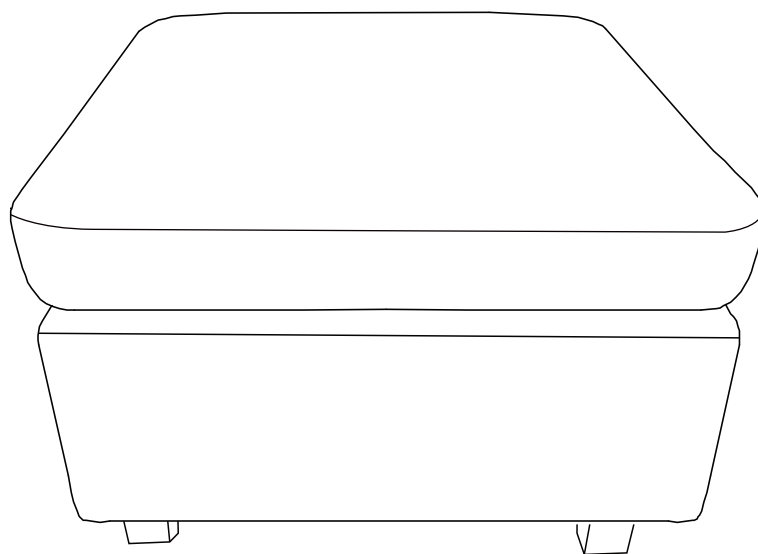


# Assembly Manual

## Ottoman



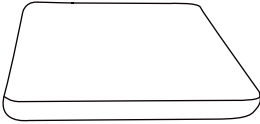

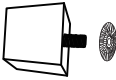
# Assembly Instructions

## Before Assembly

### IMPORTANT NOTE:

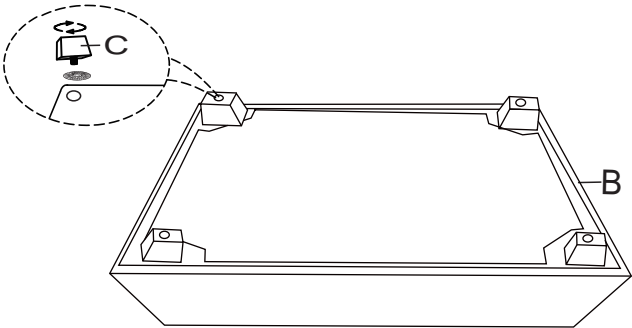
1. Make sure all parts and hardware are included and free of obvious defect before disposing of any packaging.
2. Place all wooden parts on a clean and smooth surface such as a rug or carpet to avoid the parts from being scratched.
3. Do not tighten all screws and bolts until completely assembled.
4. Assembly will require two people.

## Part List

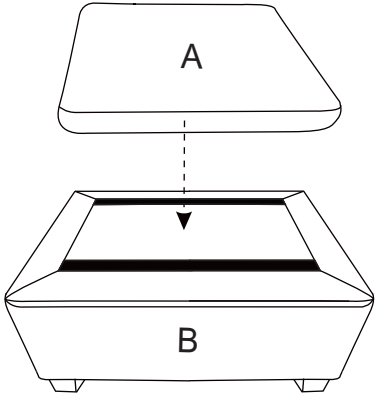
A		Cushion	1
B		Seat	1
C		Foot	4

## Pedal mounting

1



2



3

