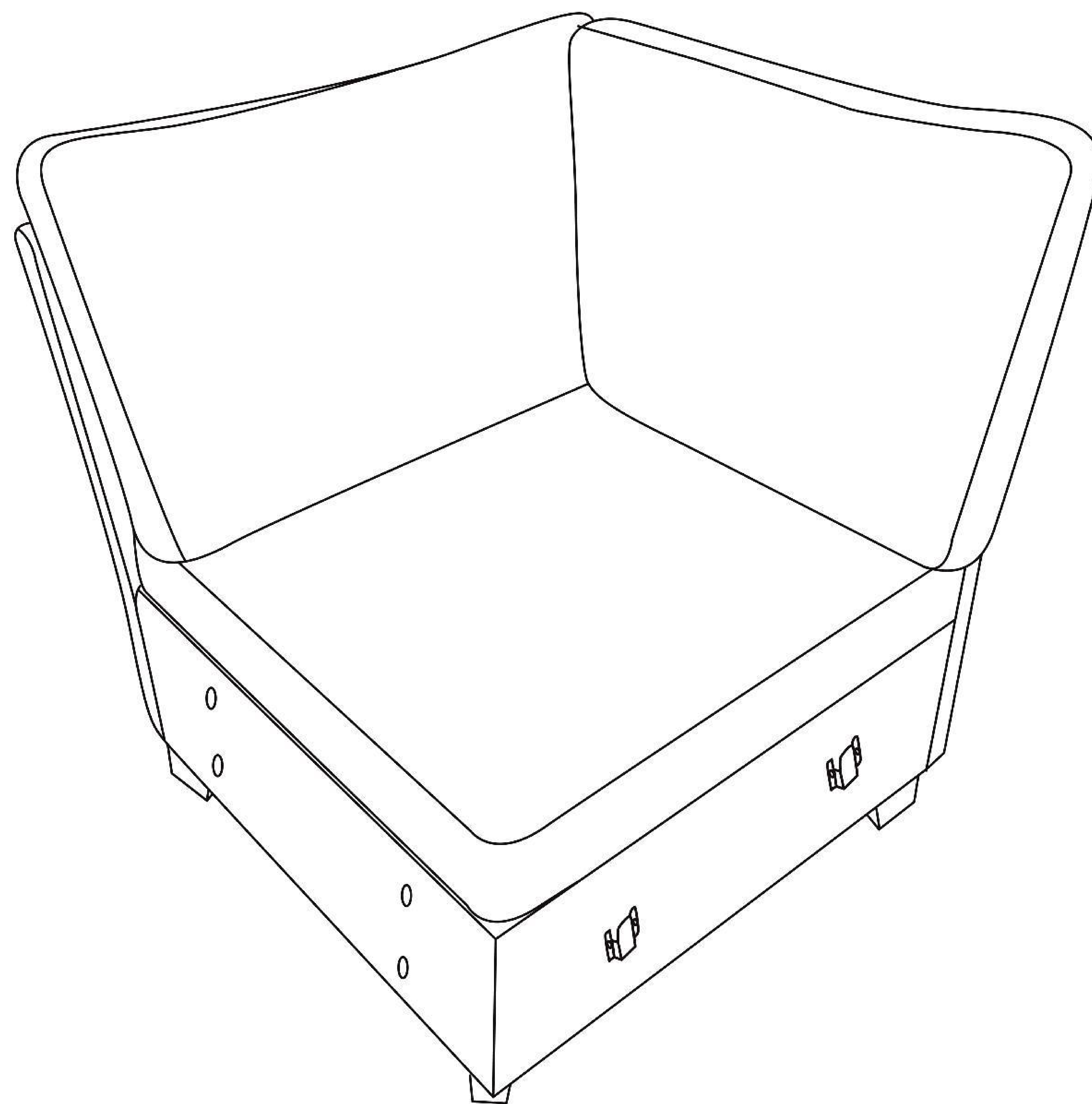


Assembly Manual

Corner Seat



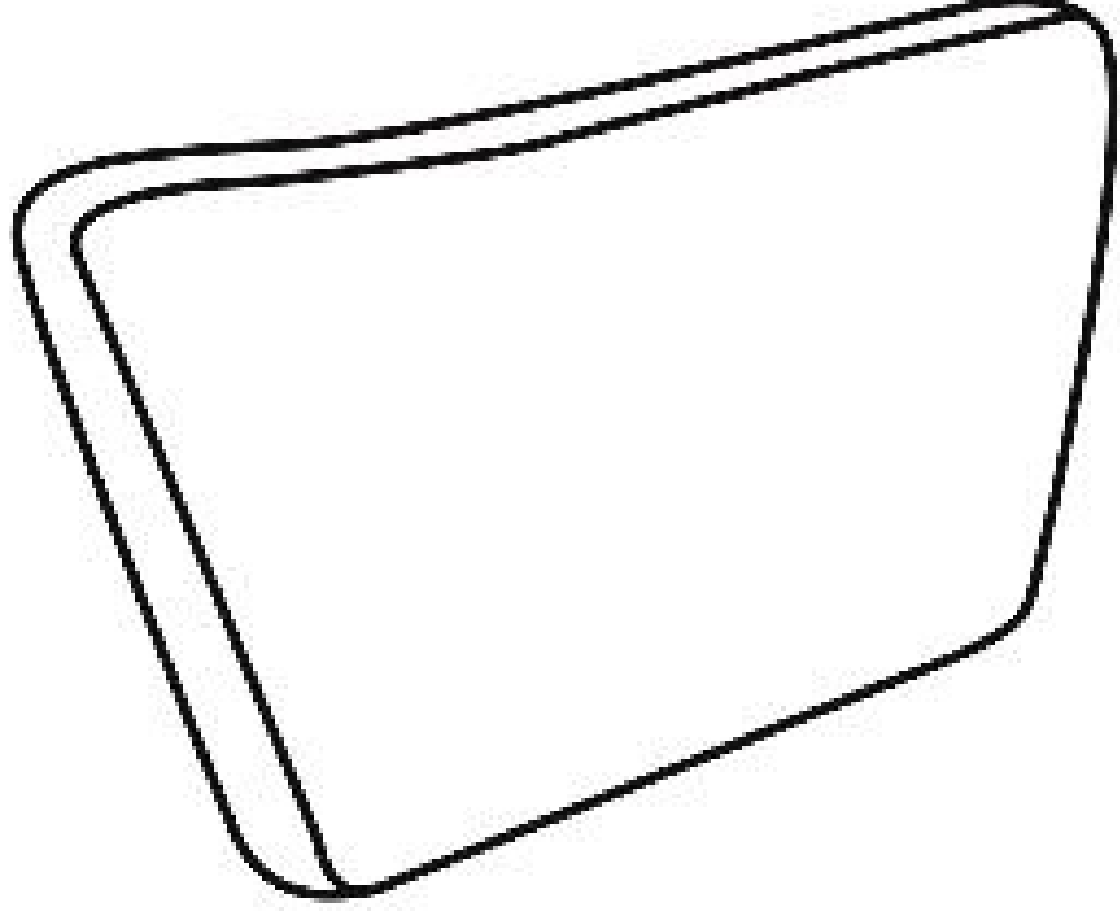
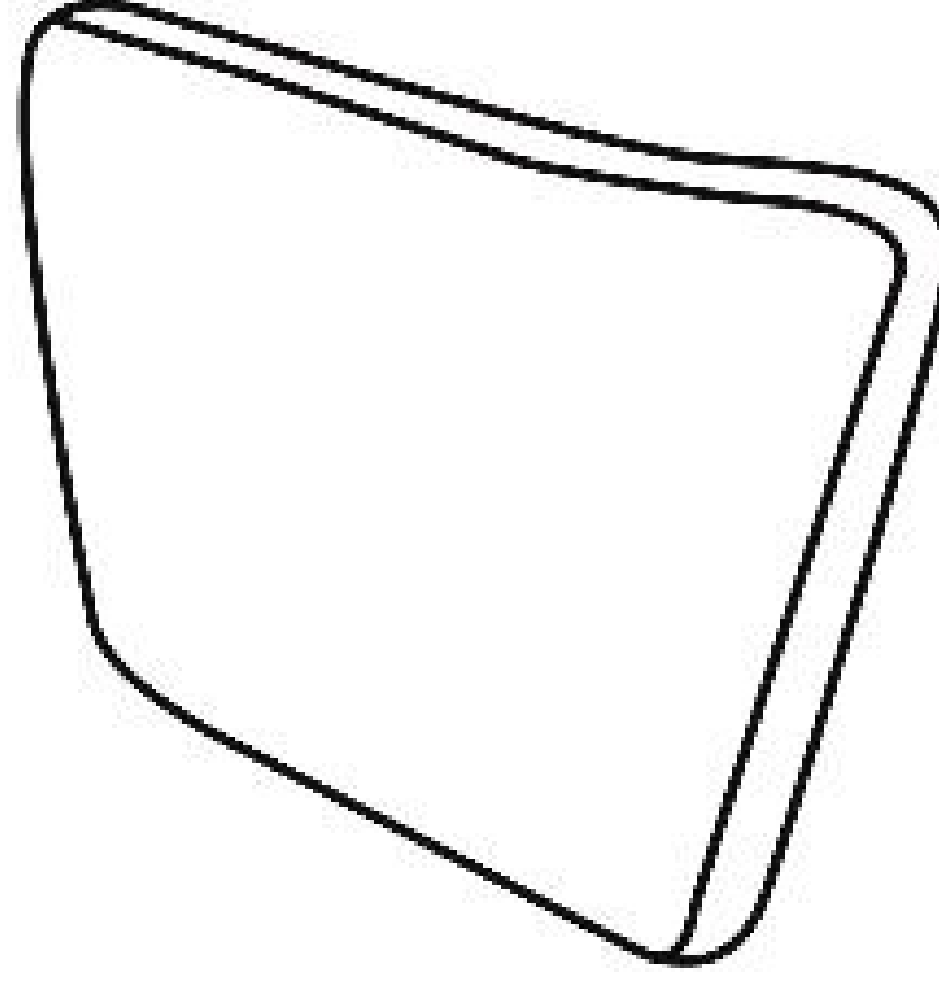
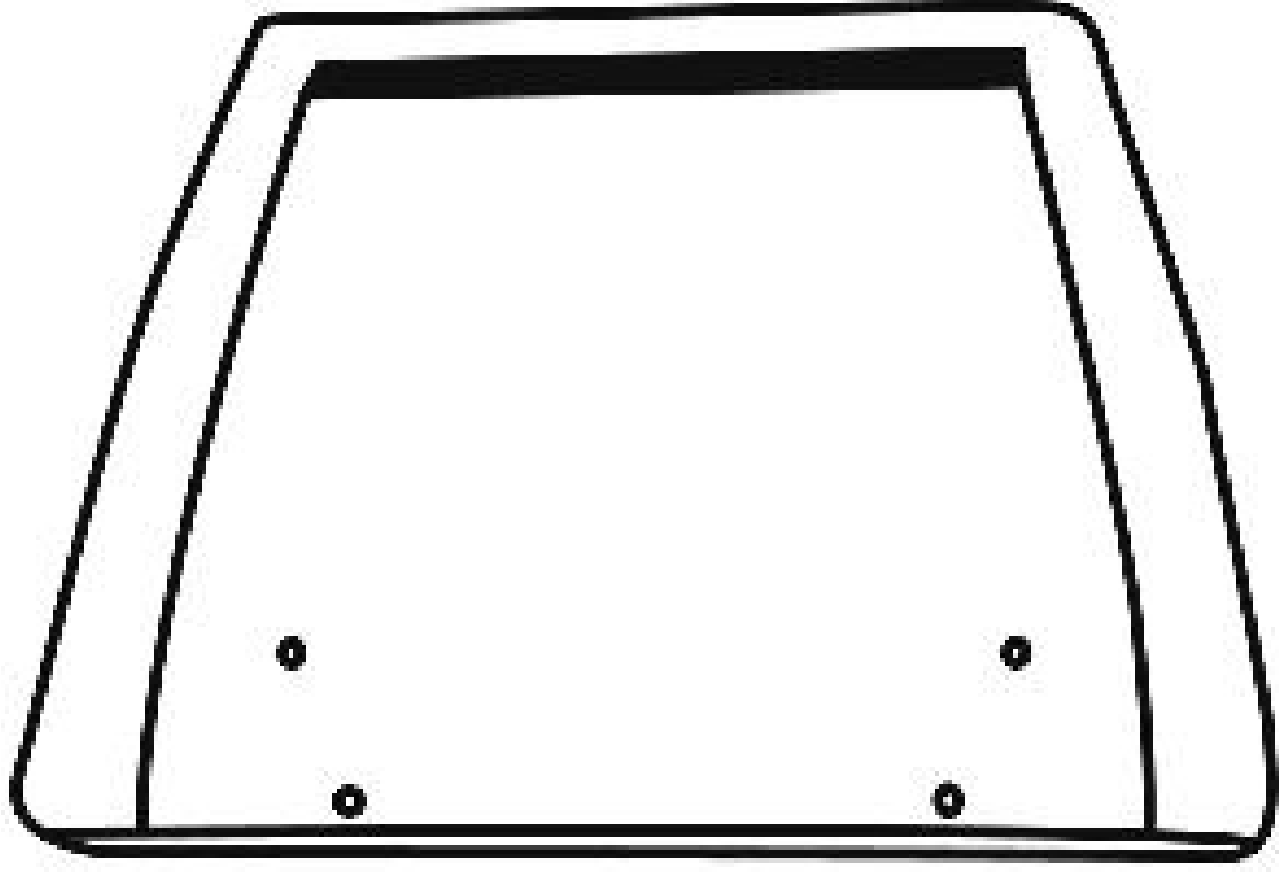
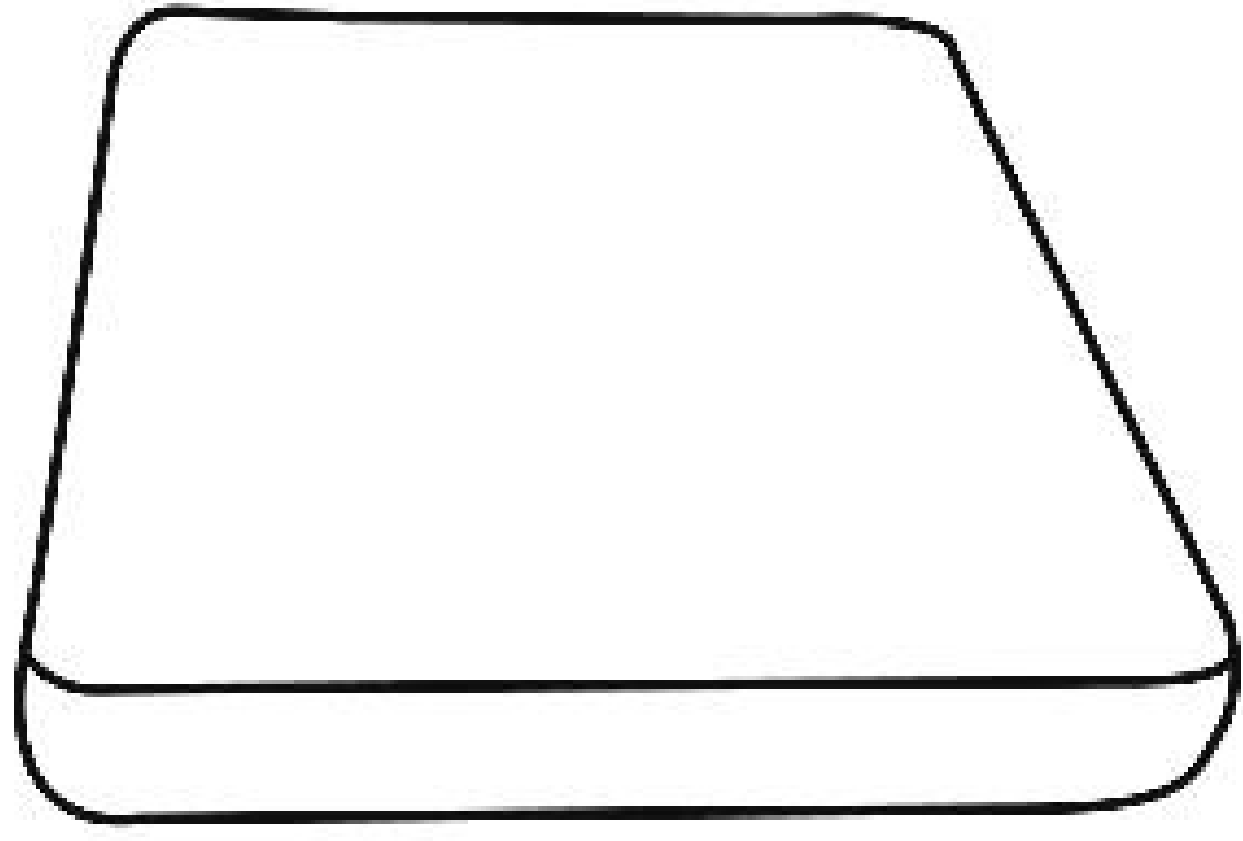
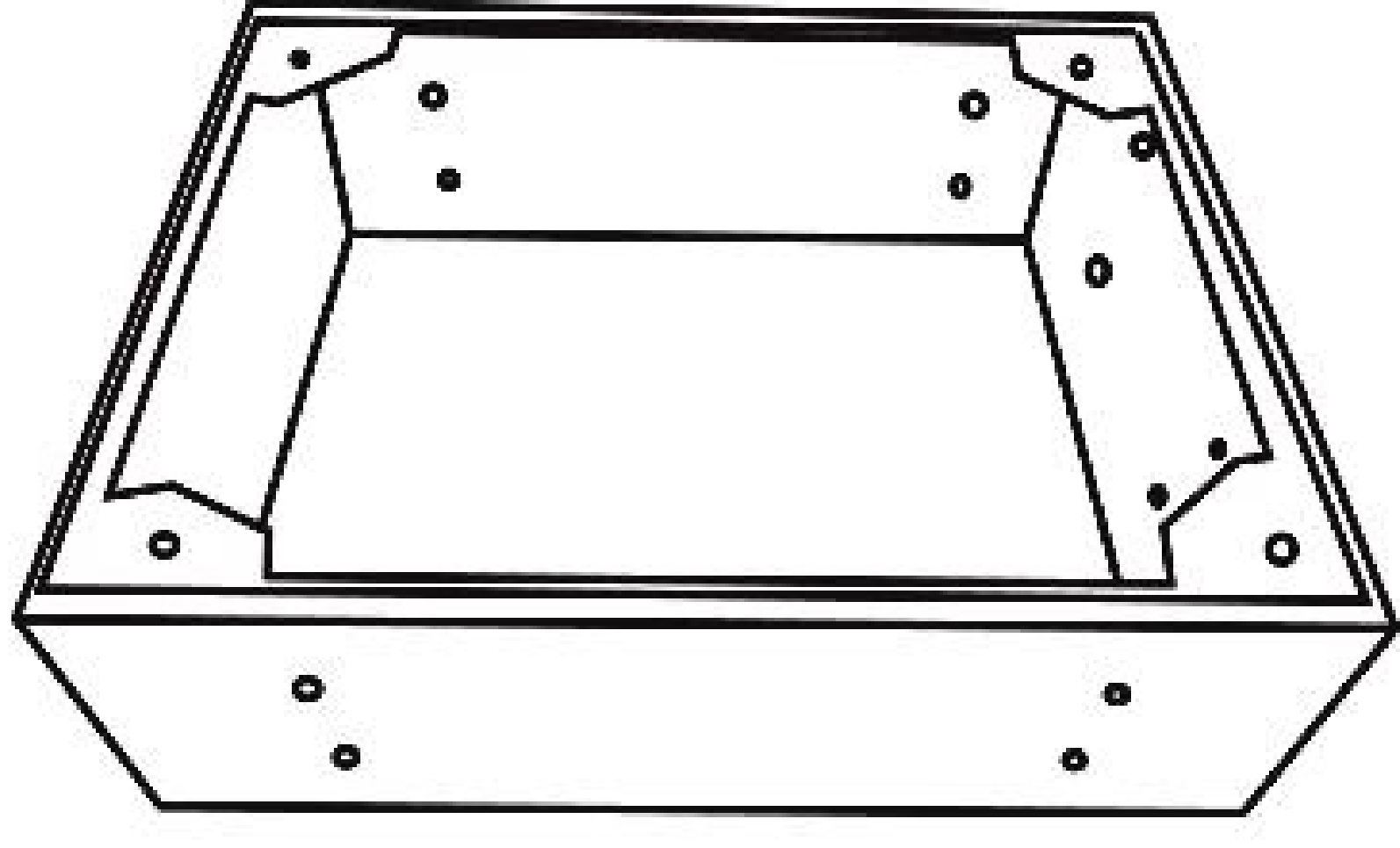
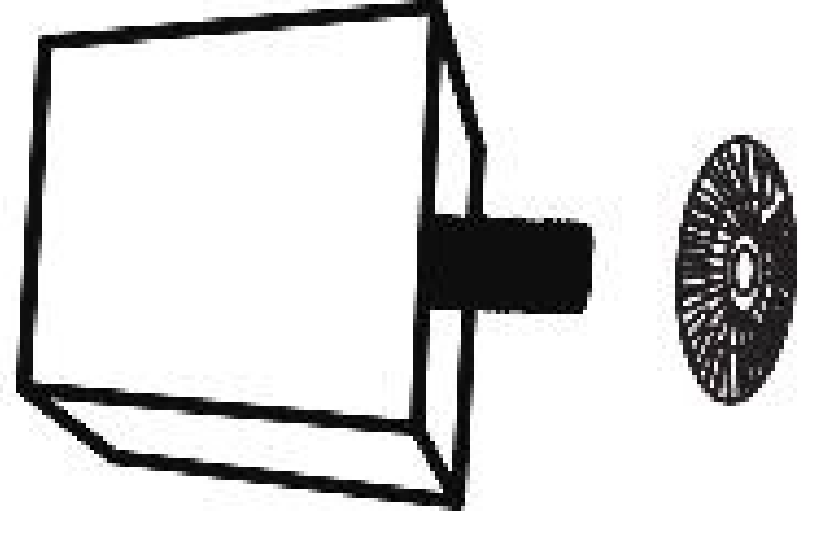
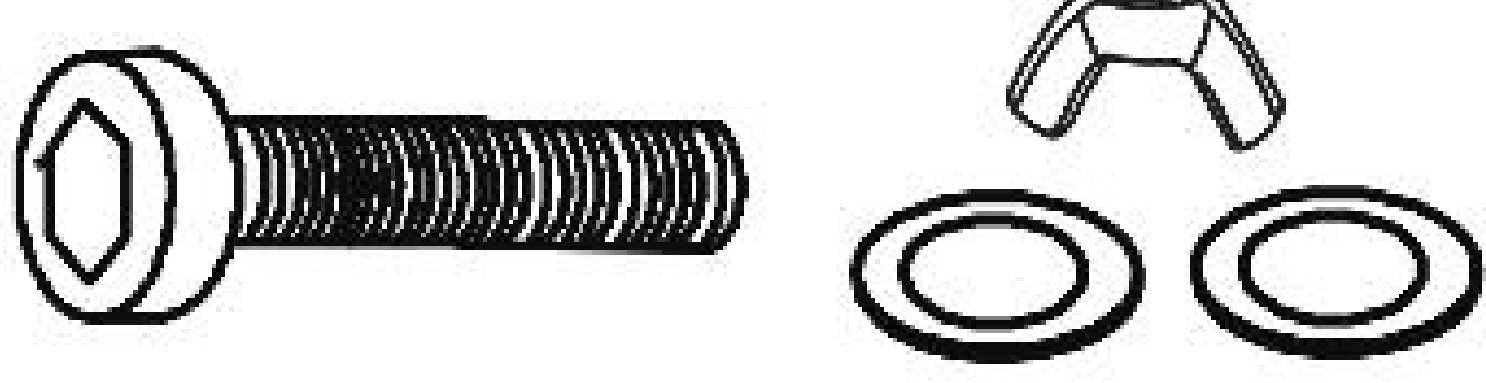


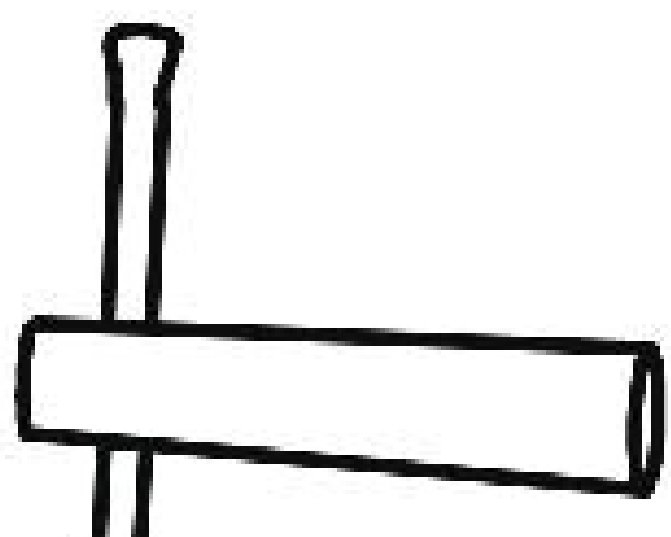
Assembly Instructions

Before Assembly

IMPORTANT NOTE:

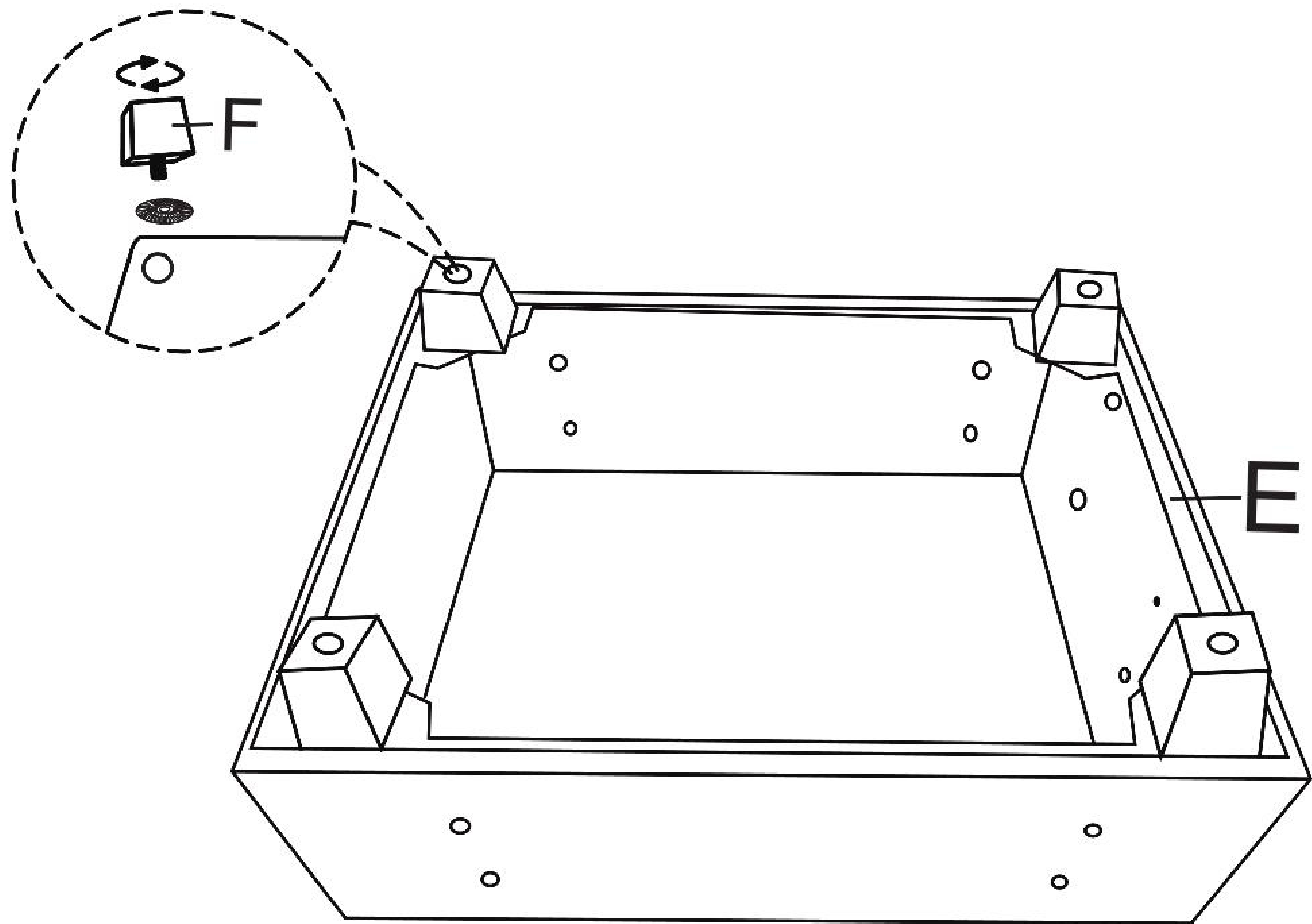
1. Make sure all parts and hardware are included and free of obvious defect before disposing of any packaging.
2. Place all wooden parts on a clean and smooth surface such as a rug or carpet to avoid the parts from being scratched.
3. Do not tighten all screws and bolts until completely assembled.
4. Assembly will require two people.

Part List

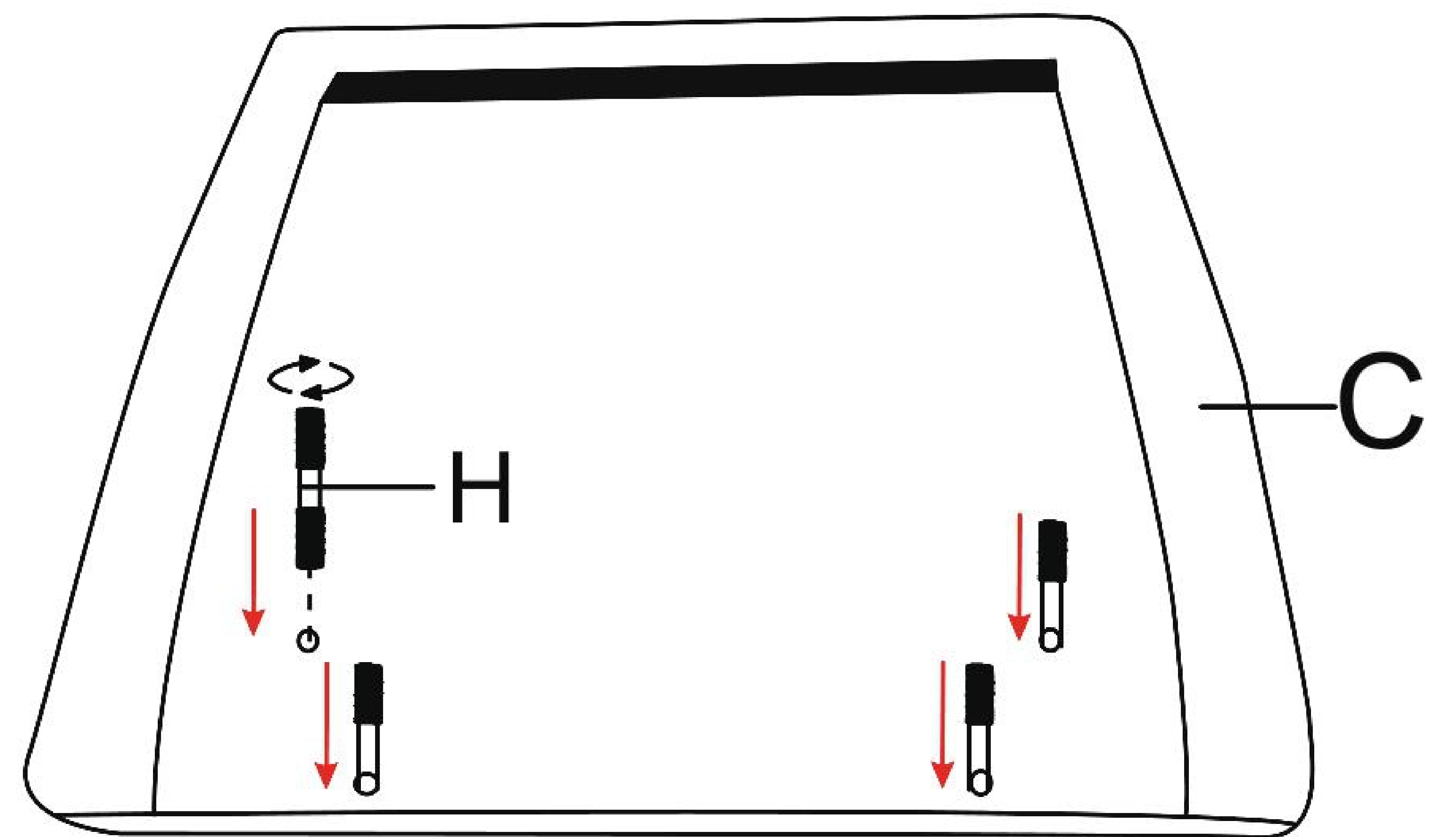
A		Back cushion	1
B		Back cushion	1
C		Back armrest	2
D		Cushion	1
E		Seat	1
F		Foot	4
G		Wrench	4
H		Wrench	8
I		Screw	1
J		Screw	1

Angle mounting

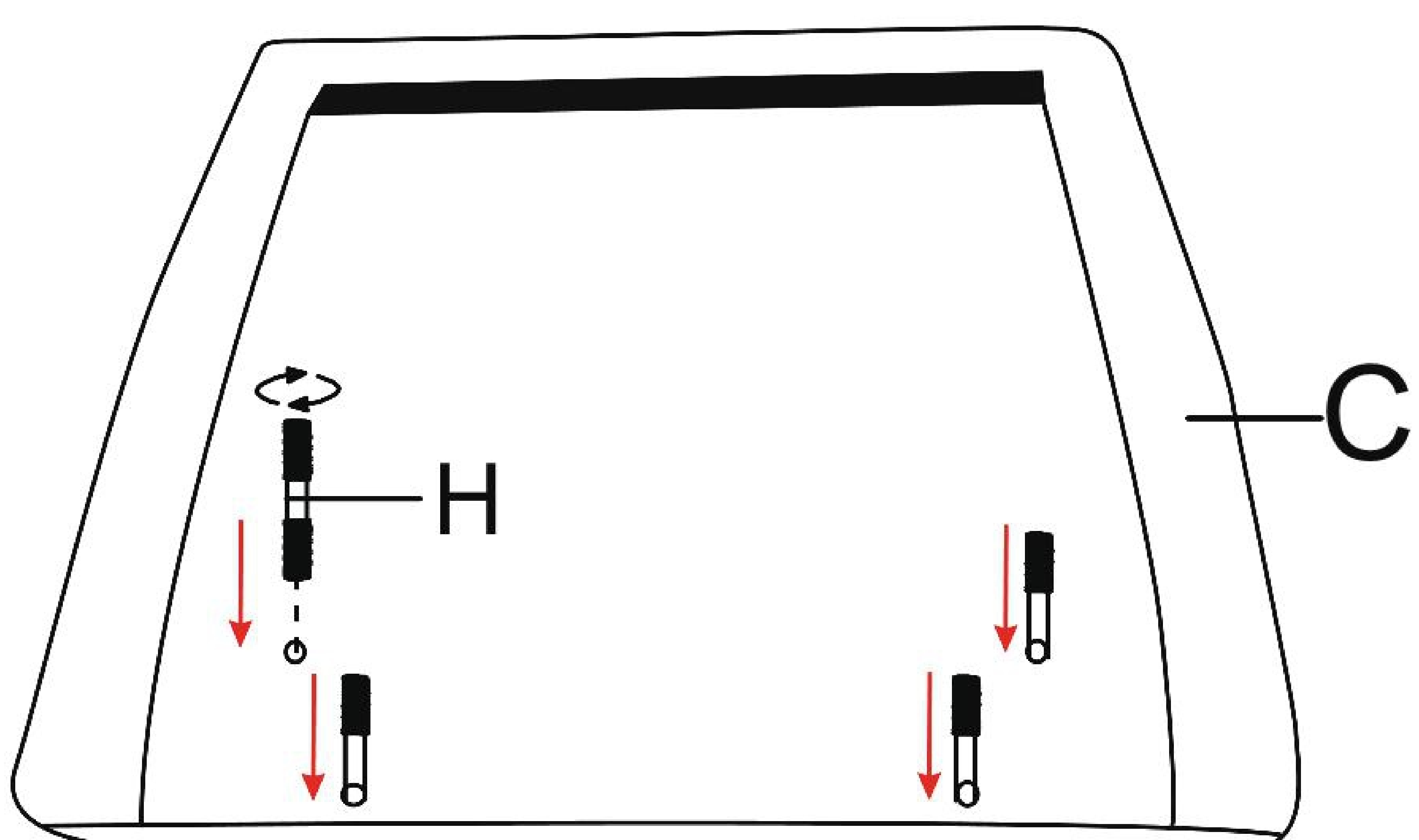
1



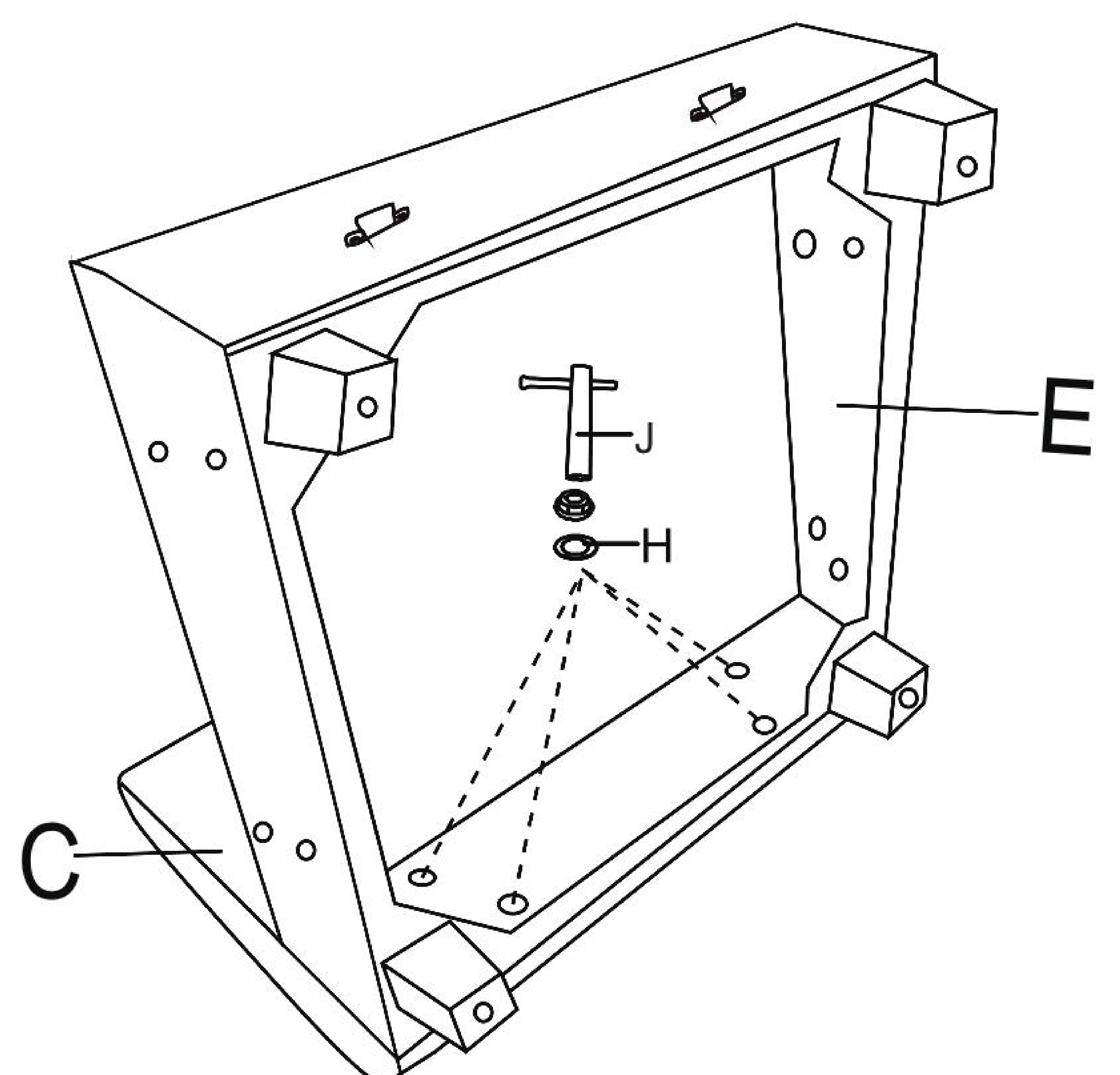
2



3

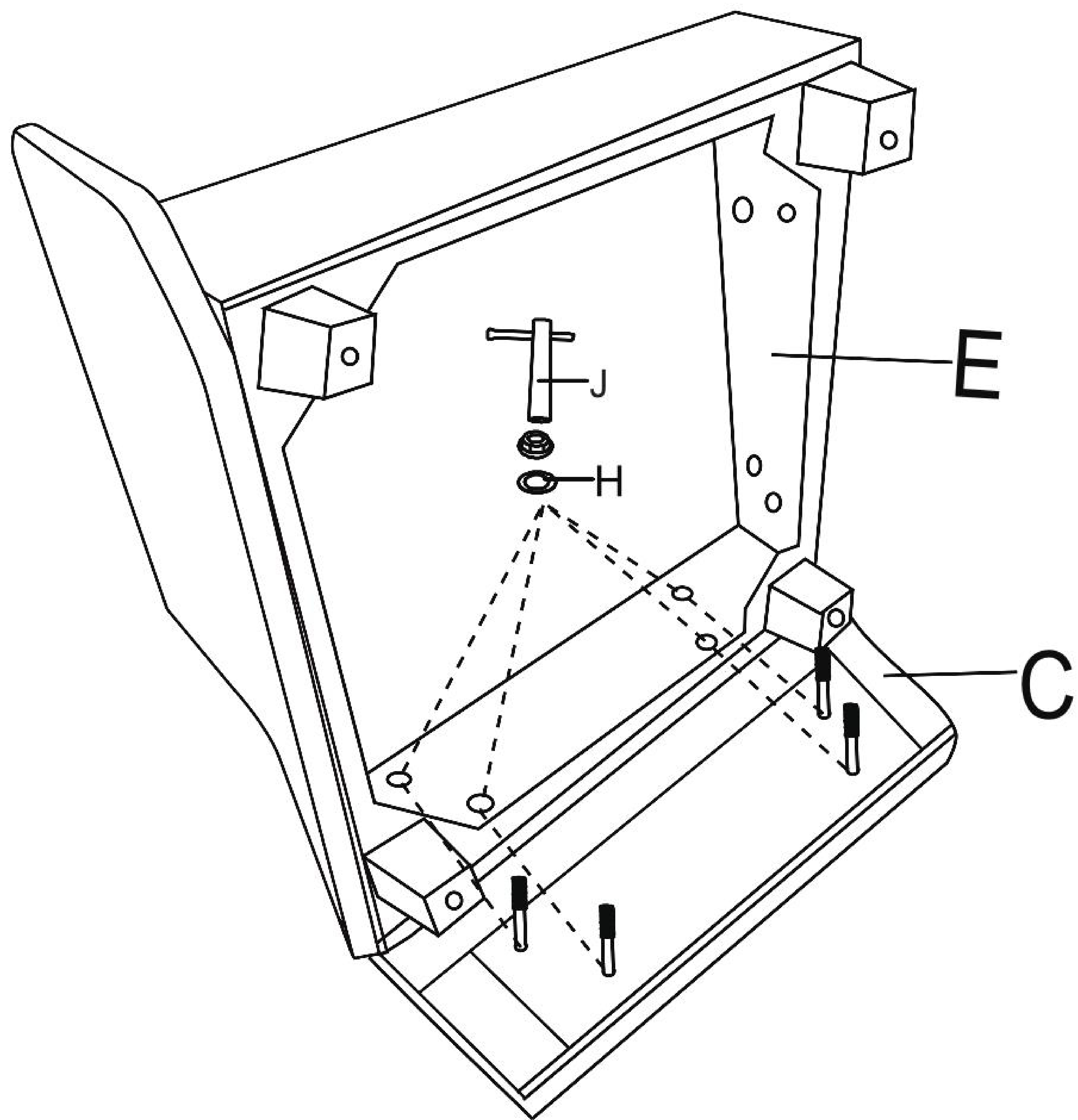


4

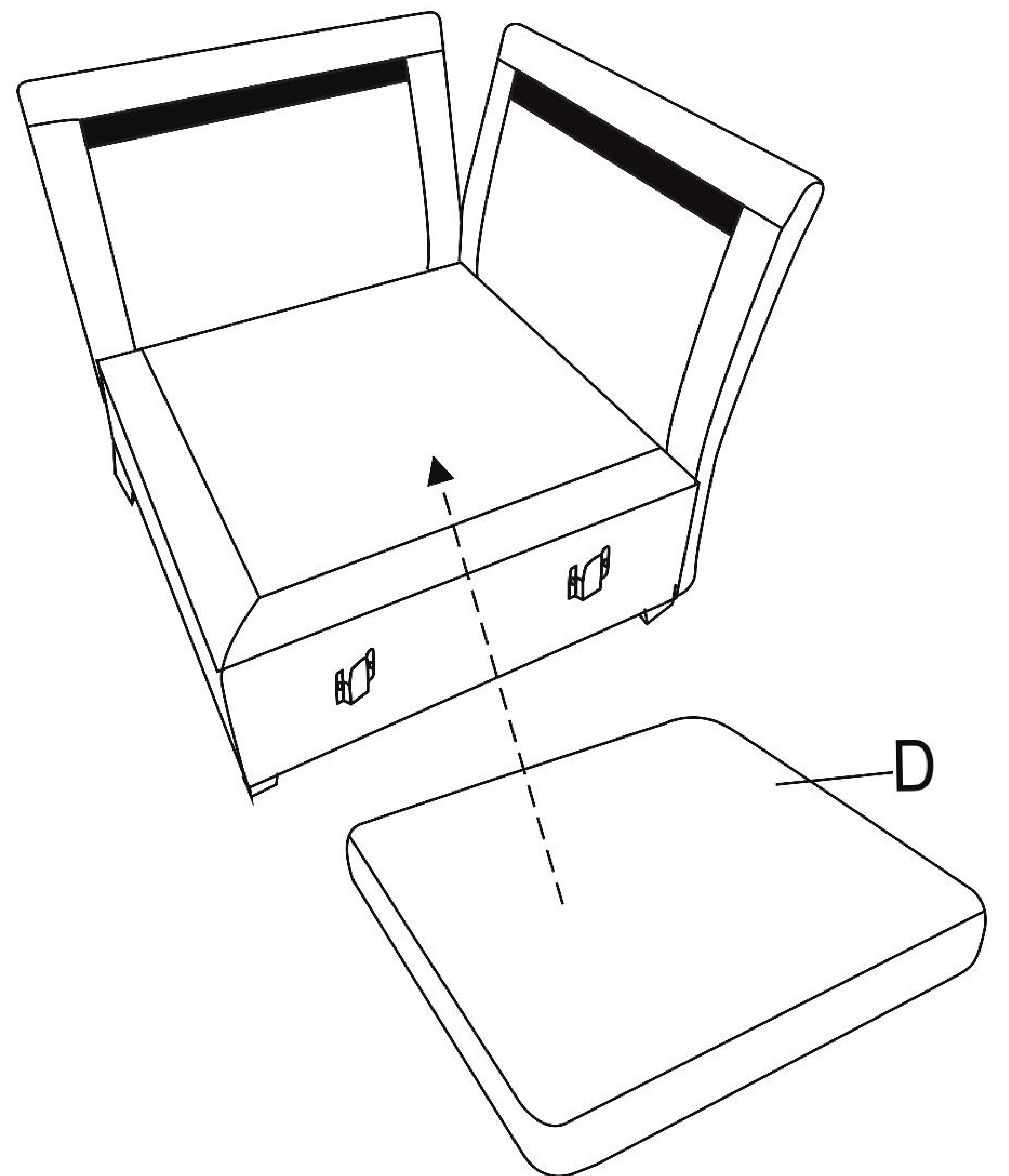


Angle mounting

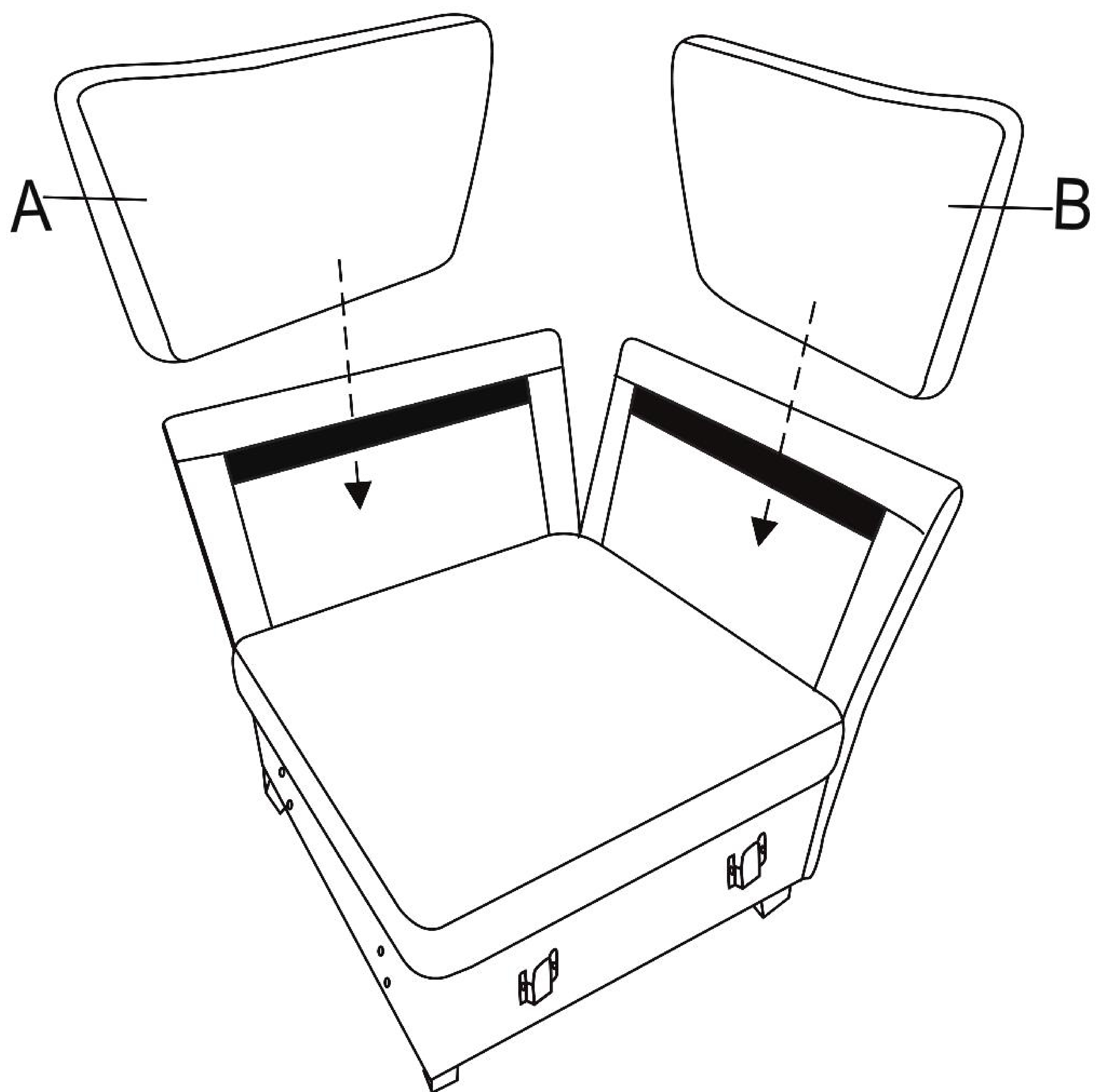
5



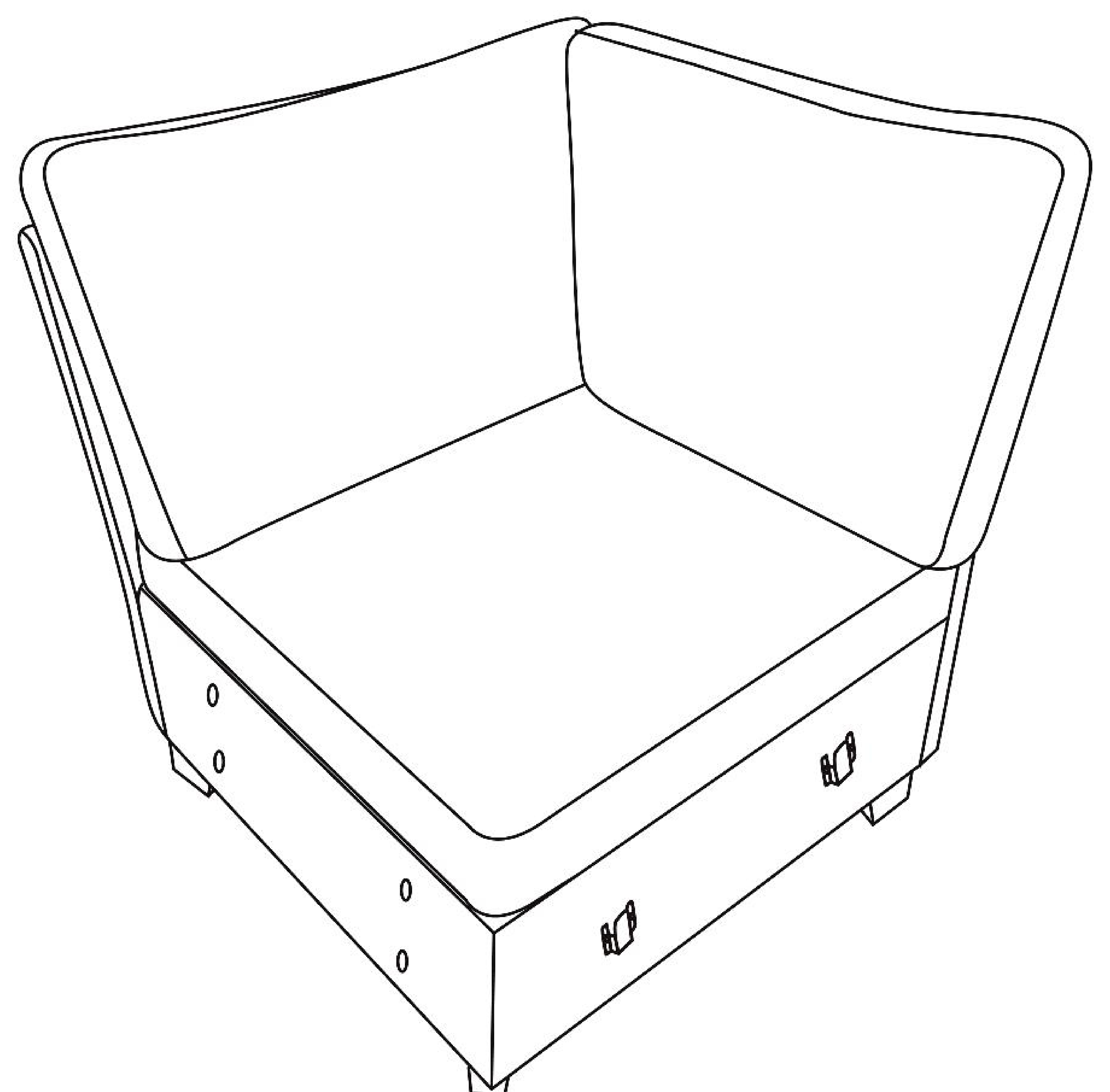
6



7



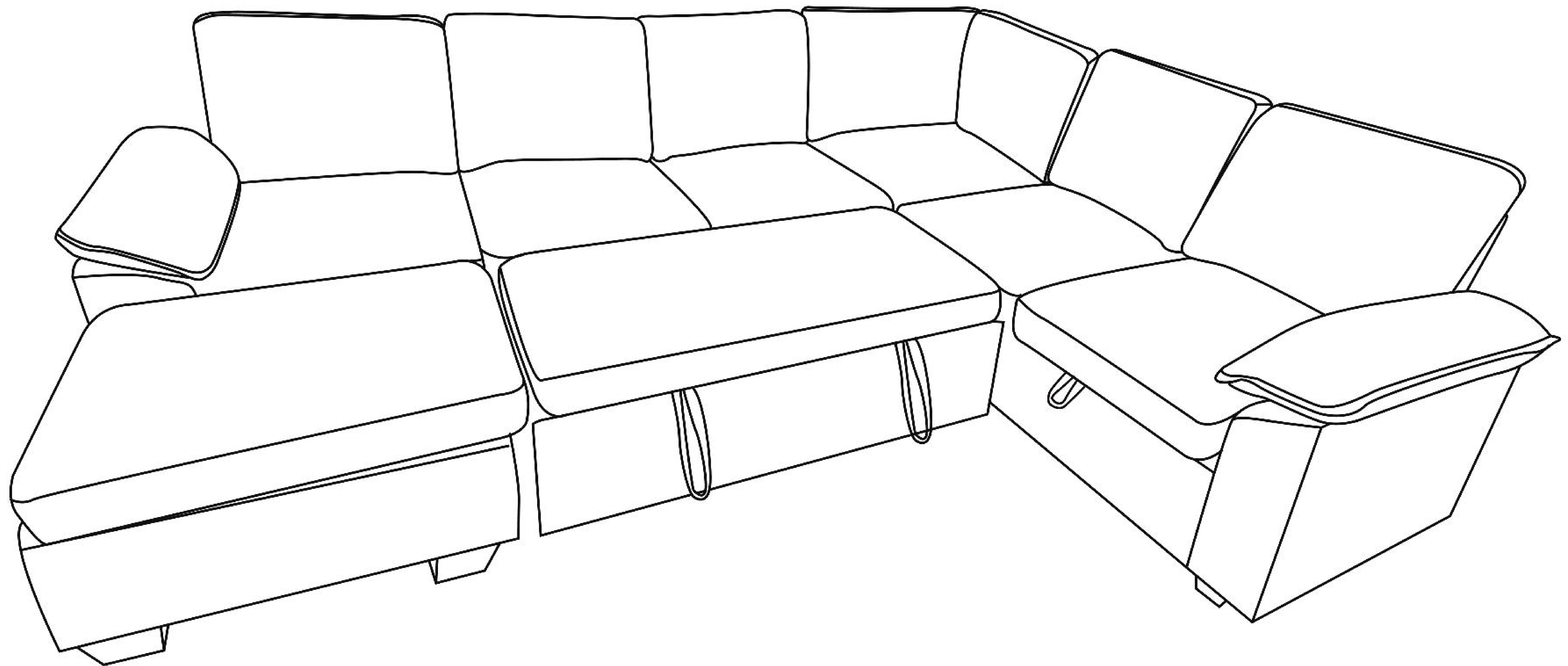
8



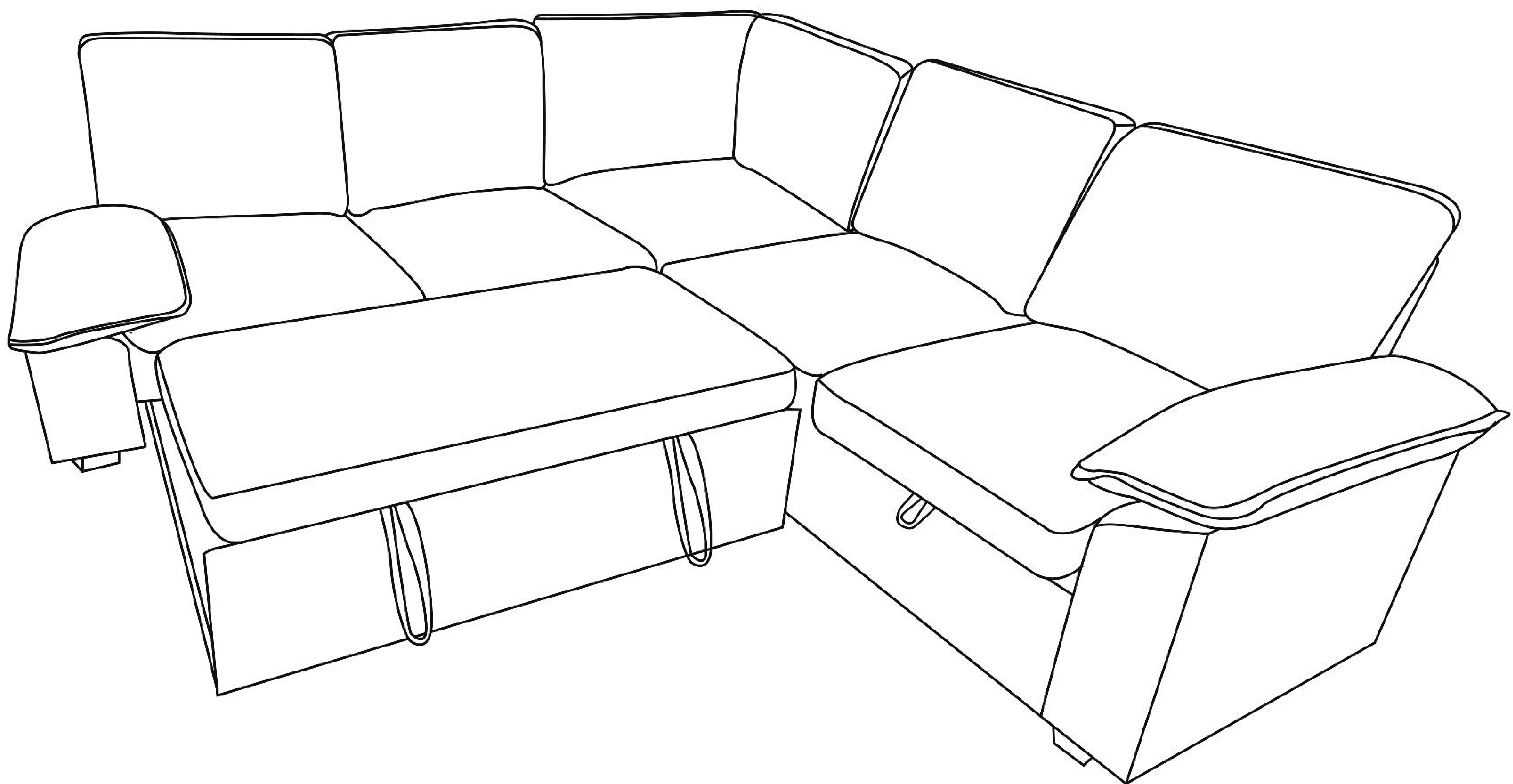
Combination Mode Display

(Please combine each part based on the mode you purchased)

Combination Mode 1



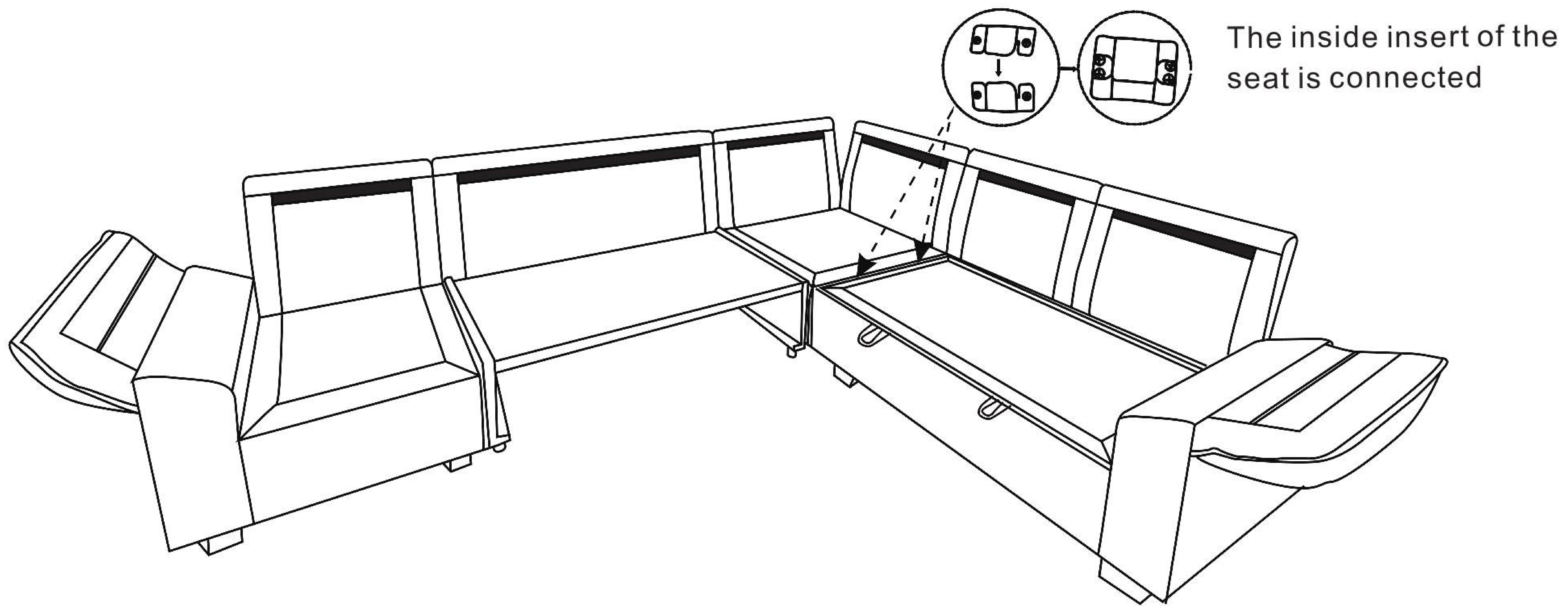
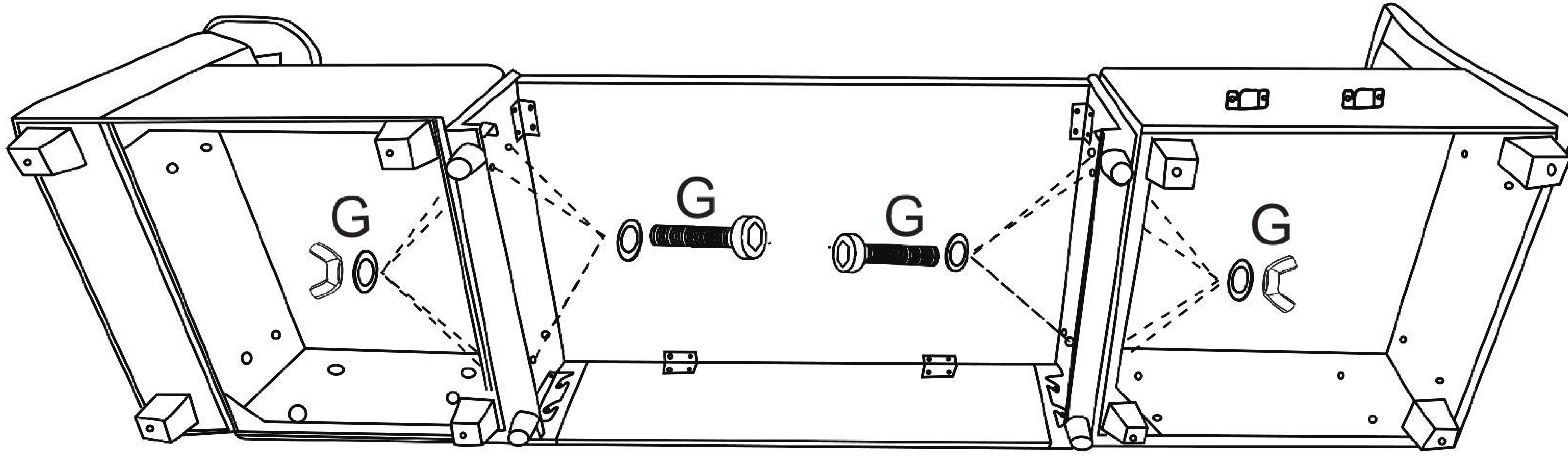
Combination Mode 2



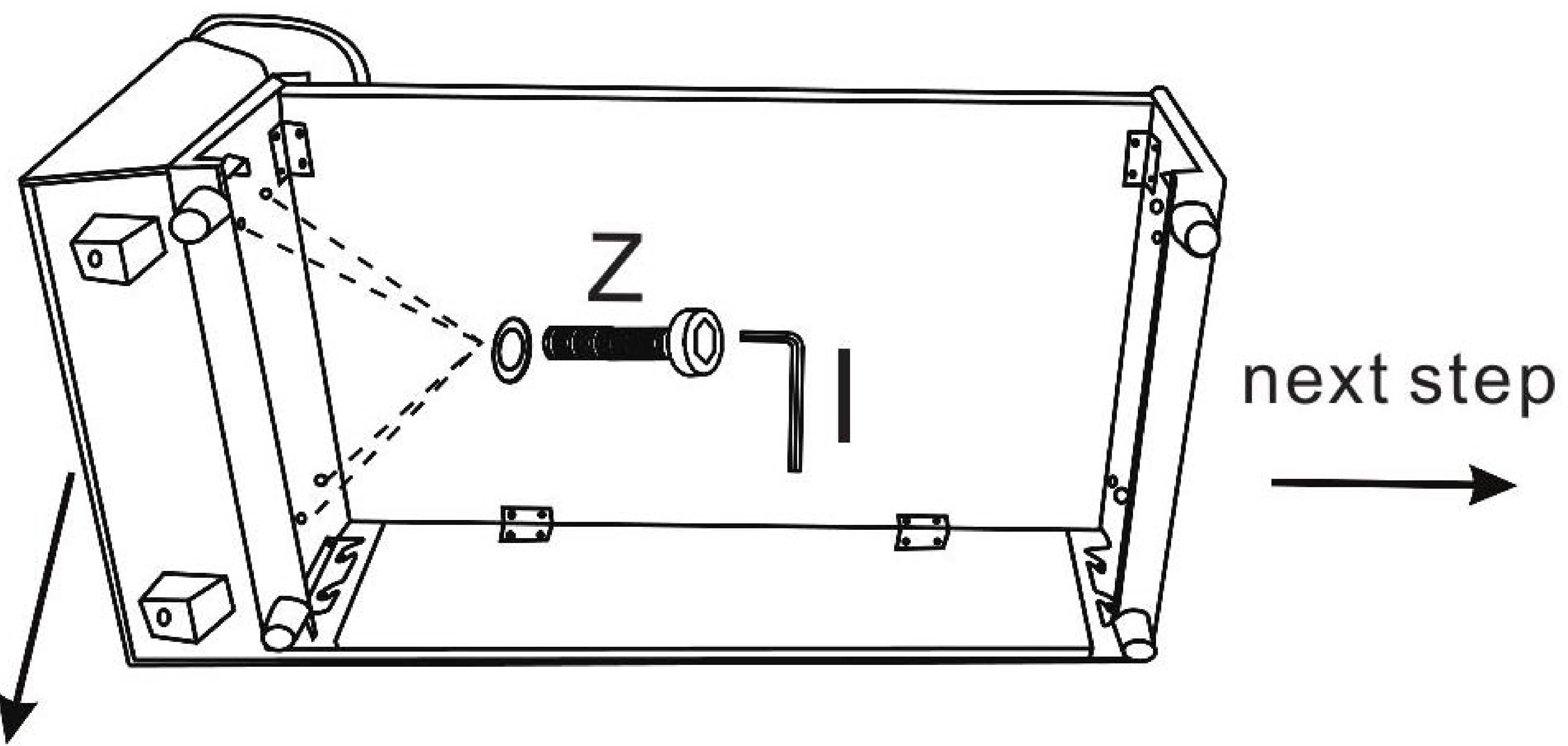
Note: Cushions are vacuum-packed & it may take approximately 72 hours to fully expand to their intended size & shape

Fixed Seat Mode

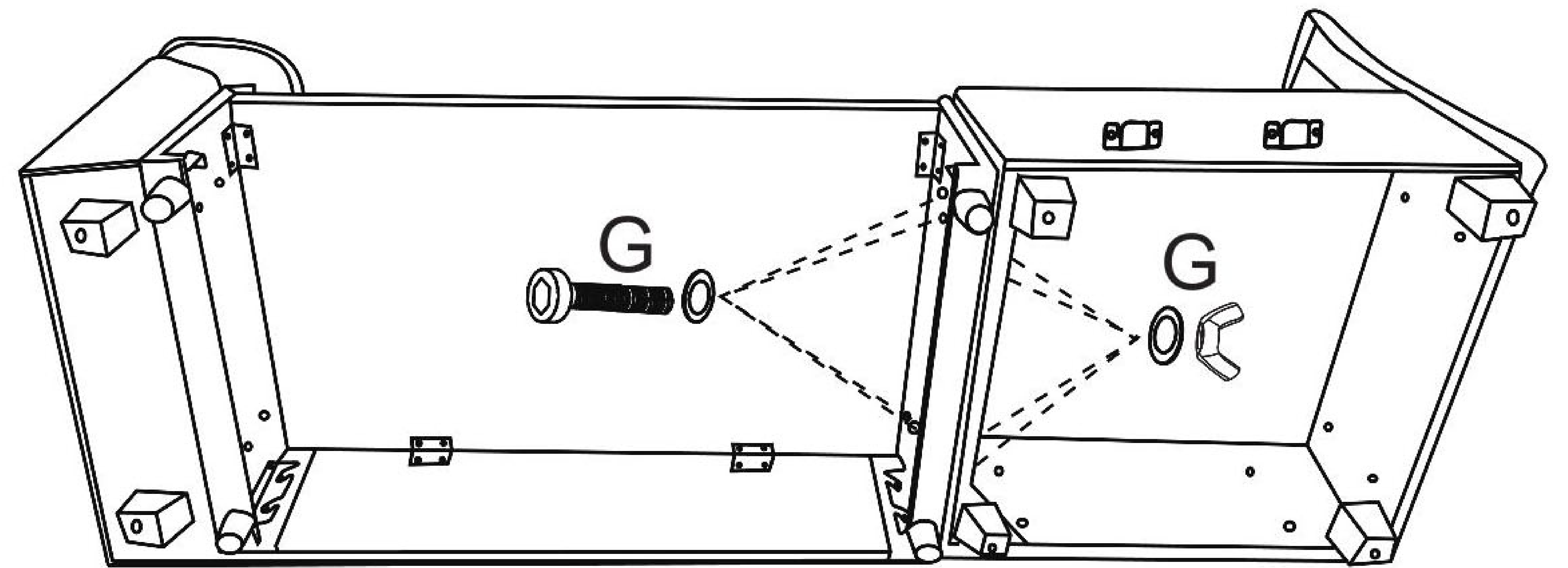
Combination Method for Model 1



Combination Method for Model 2



The armrests are packed in a separate carton.



The inside insert of the seat is connected

