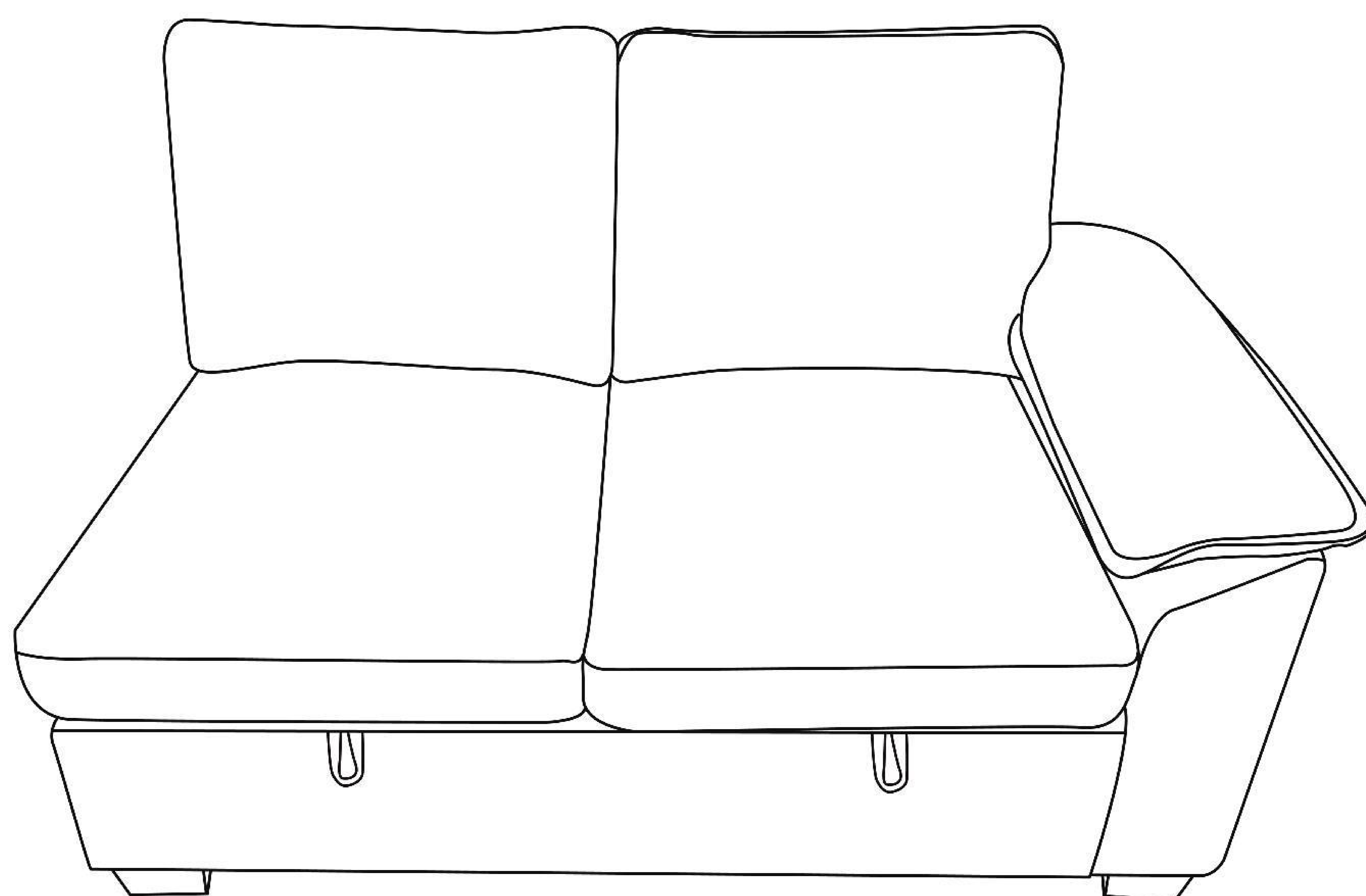


Assembly Manual

Storage Seat



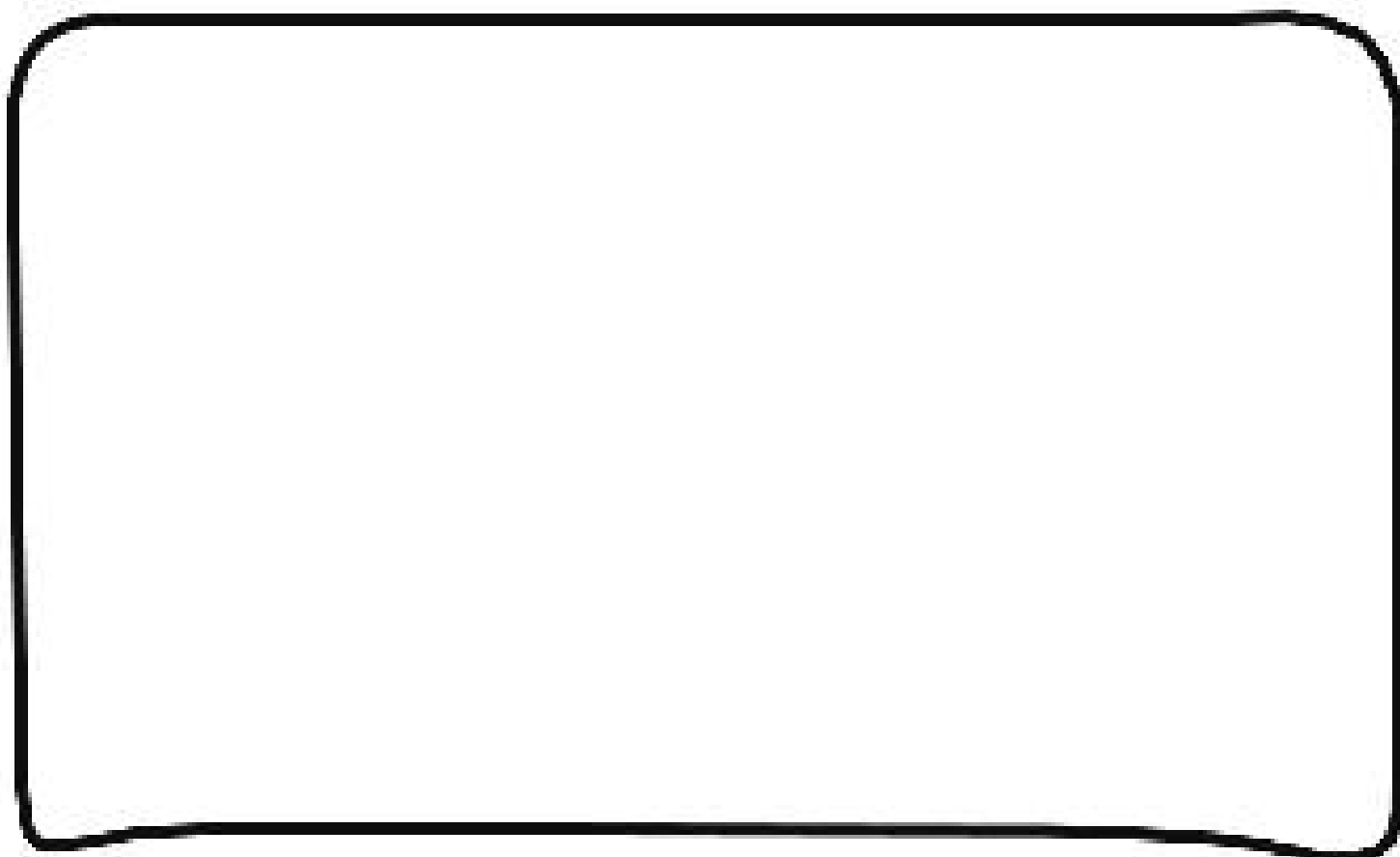
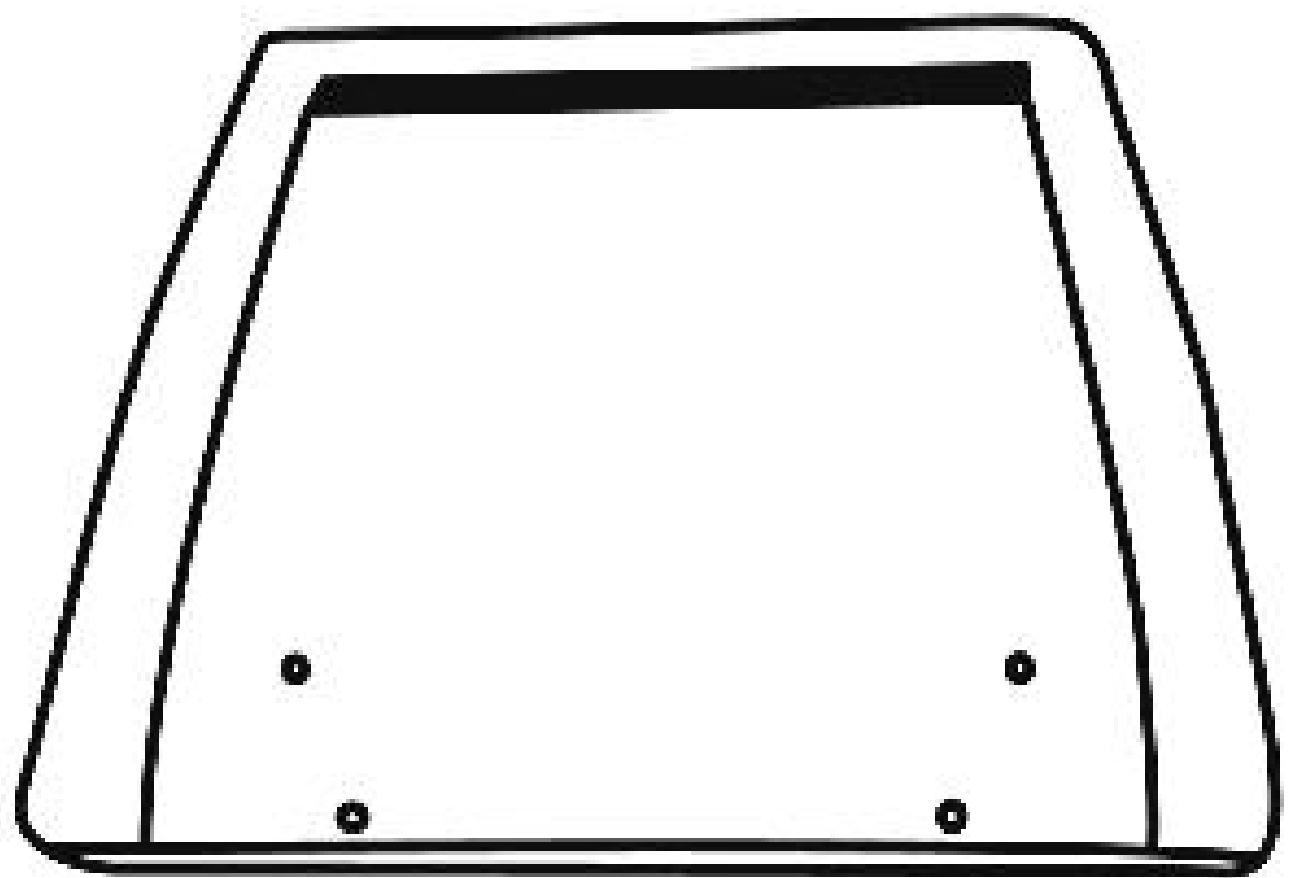
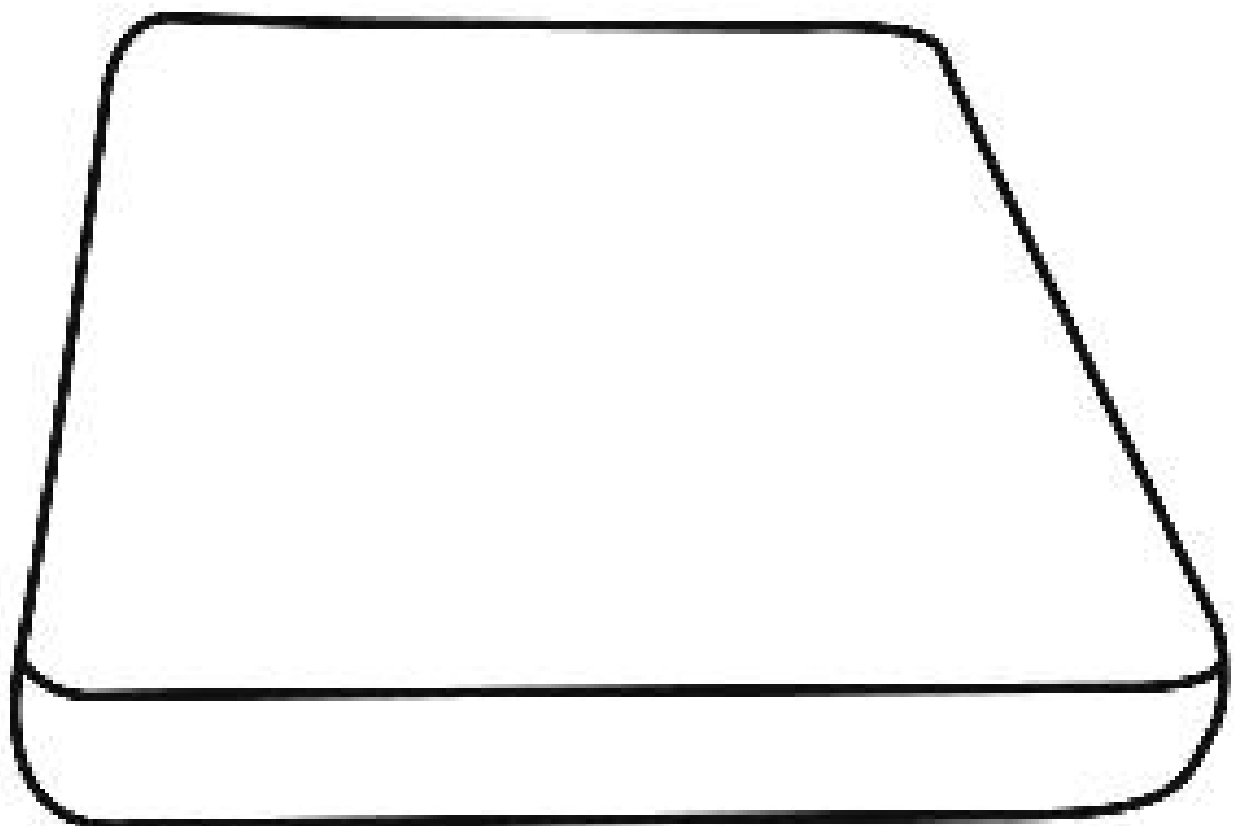
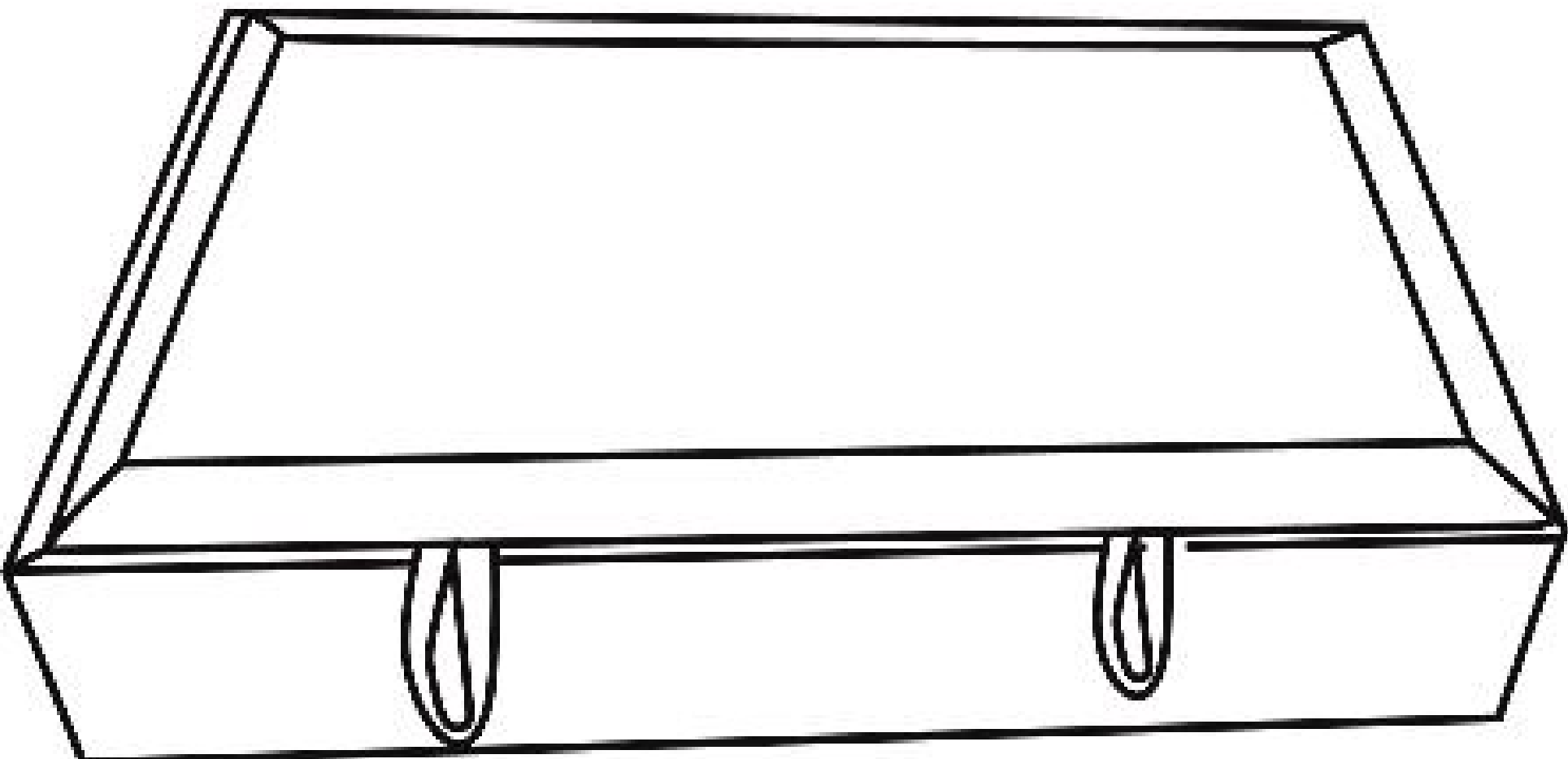
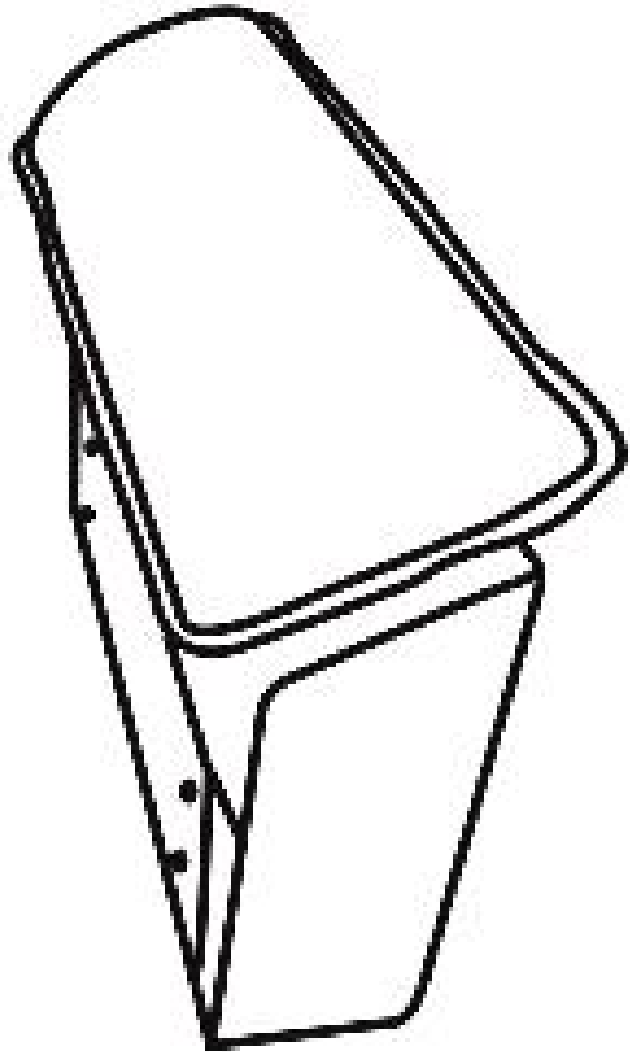
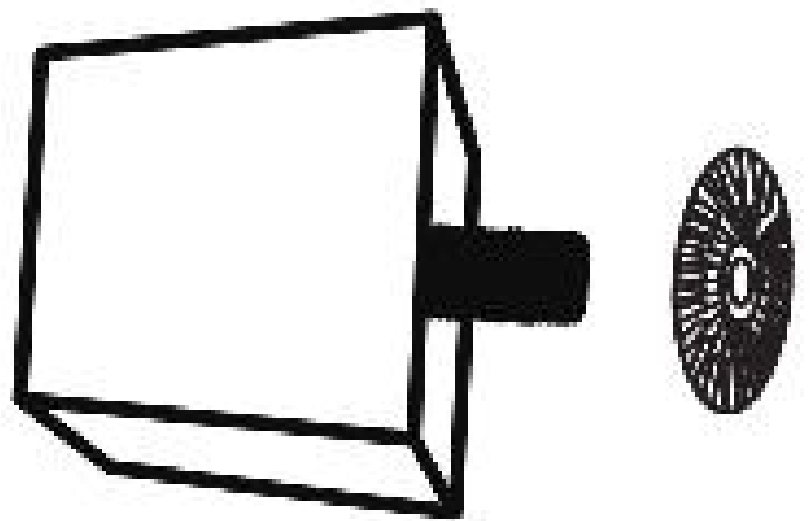
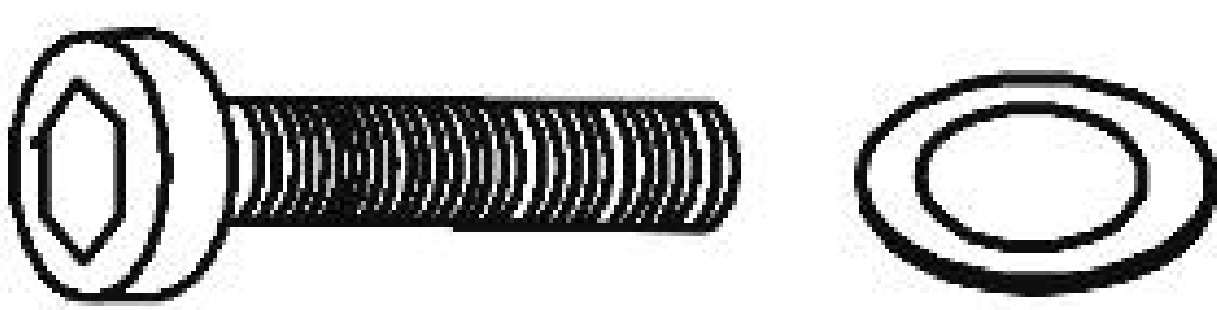

Assembly Instructions

Before Assembly

IMPORTANT NOTE:

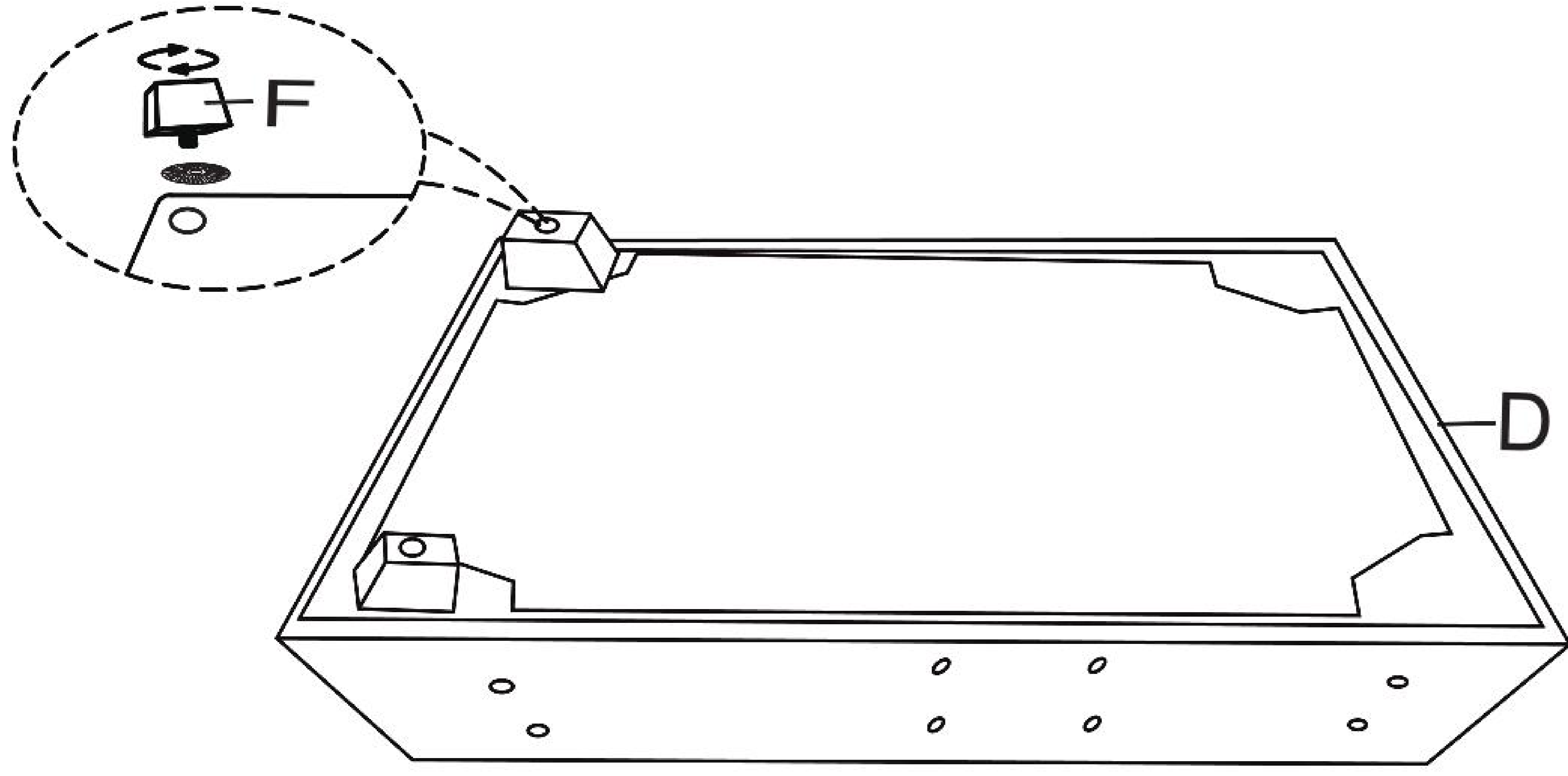
1. Make sure all parts and hardware are included and free of obvious defect before disposing of any packaging.
2. Place all wooden parts on a clean and smooth surface such as a rug or carpet to avoid the parts from being scratched.
3. Do not tighten all screws and bolts until completely assembled.
4. Assembly will require two people.

Part List

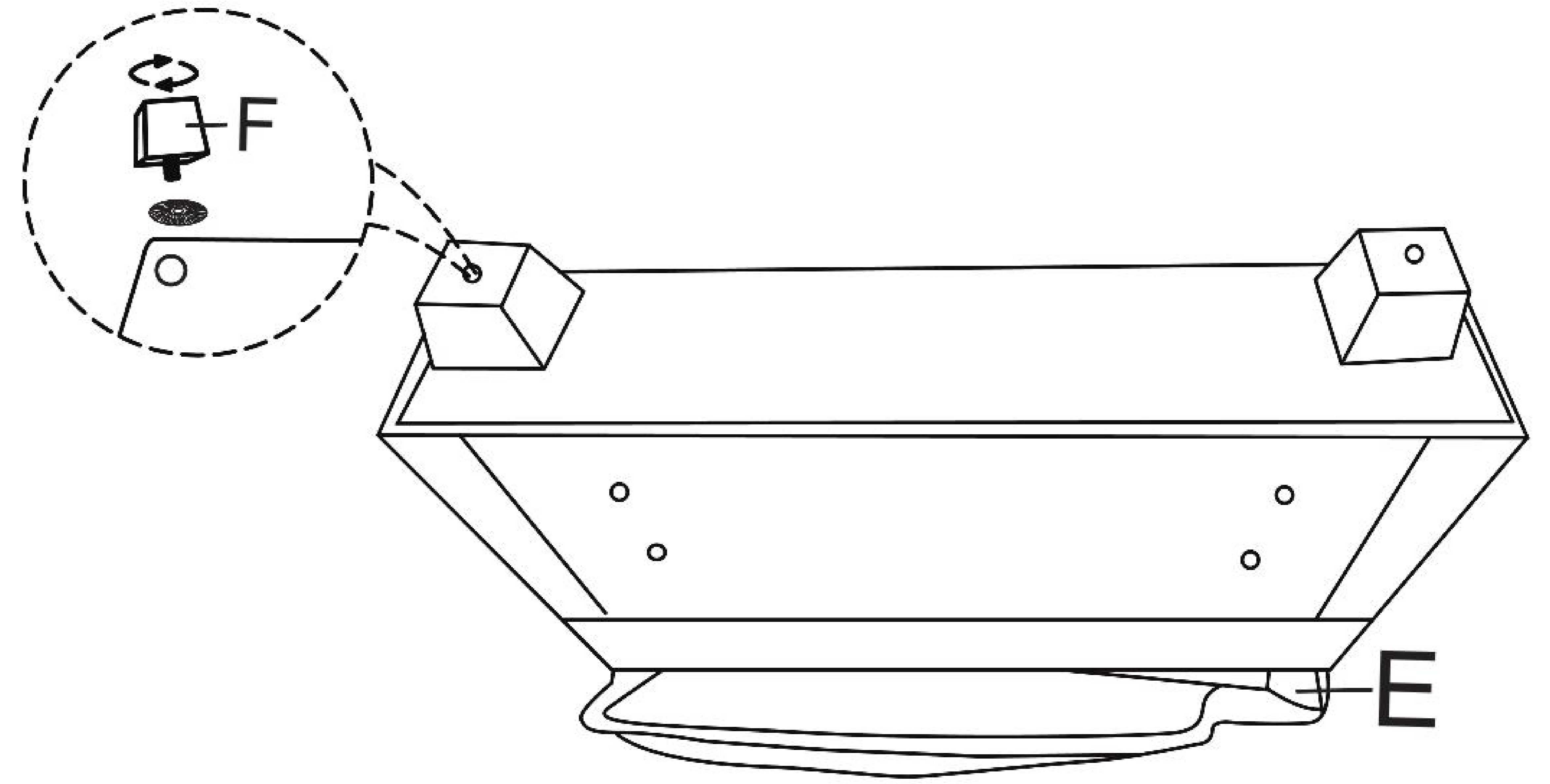
A		Back cushion	2
B		Back armrest	2
C		Cushion	2
D		Seat	1
E		Left arm The armrests are packed in a separate carton.	1
F		Foot	4
G		Wrench	12
H		Screw	1

Two-seat mounting

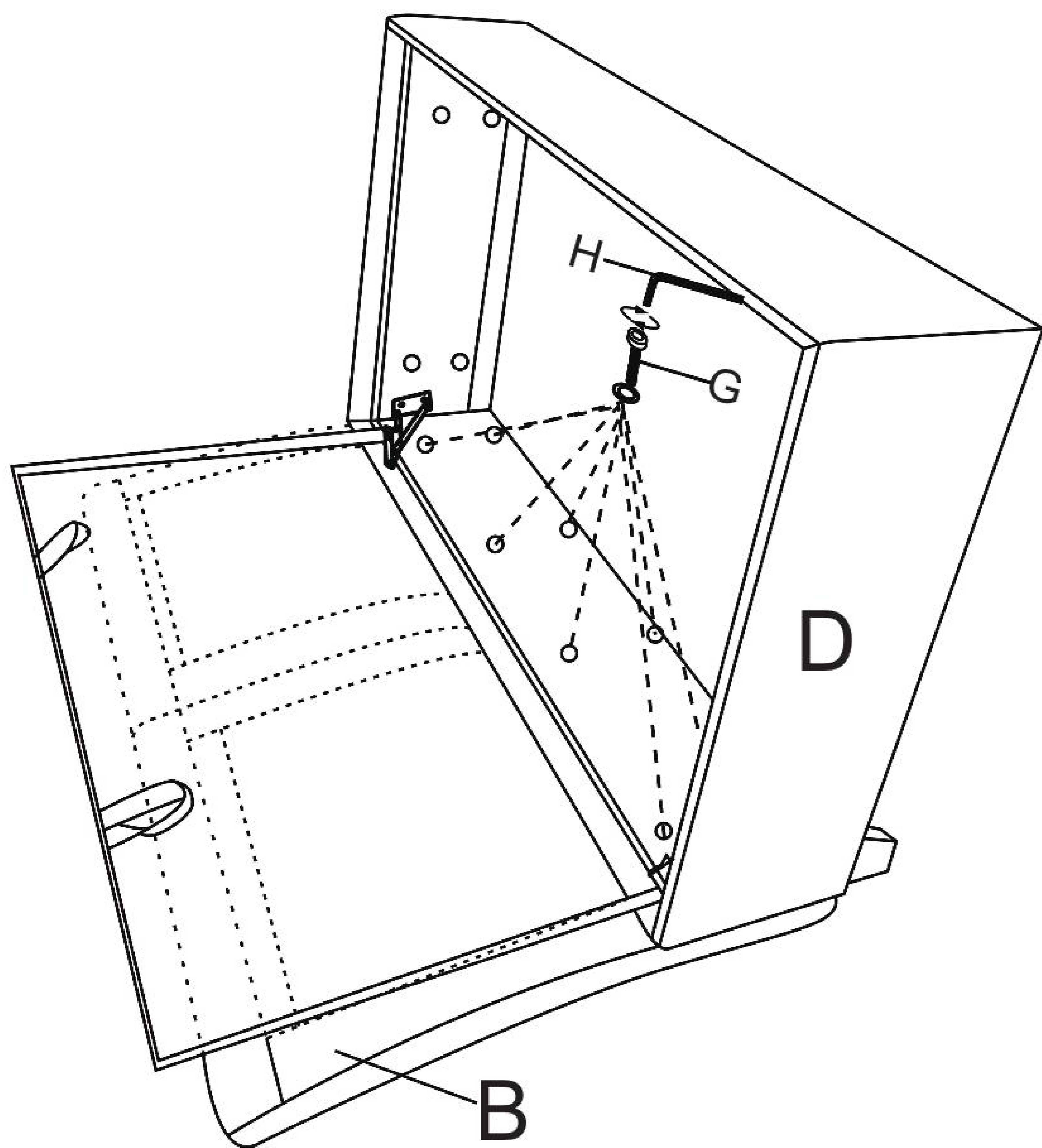
1



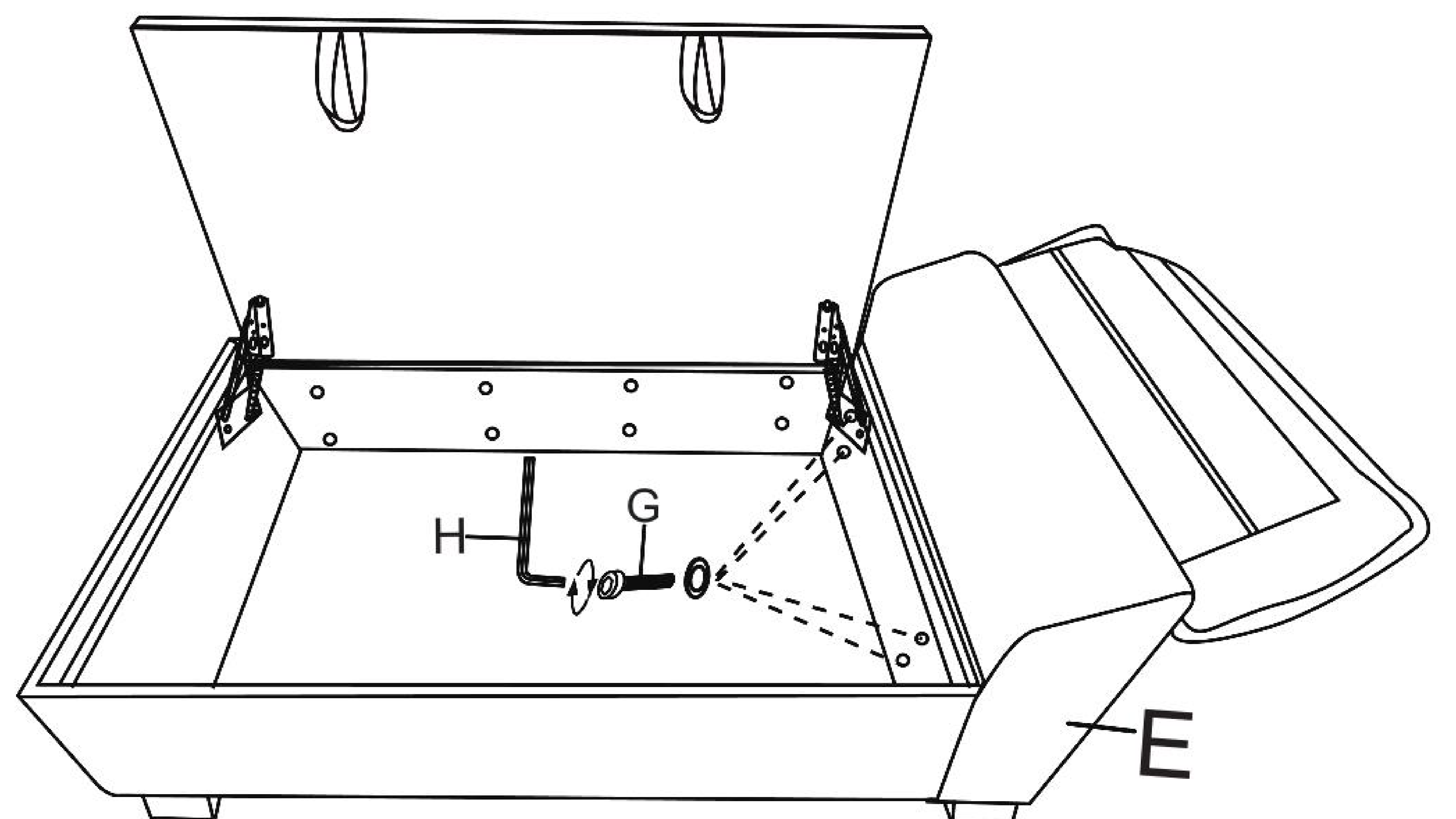
2



3

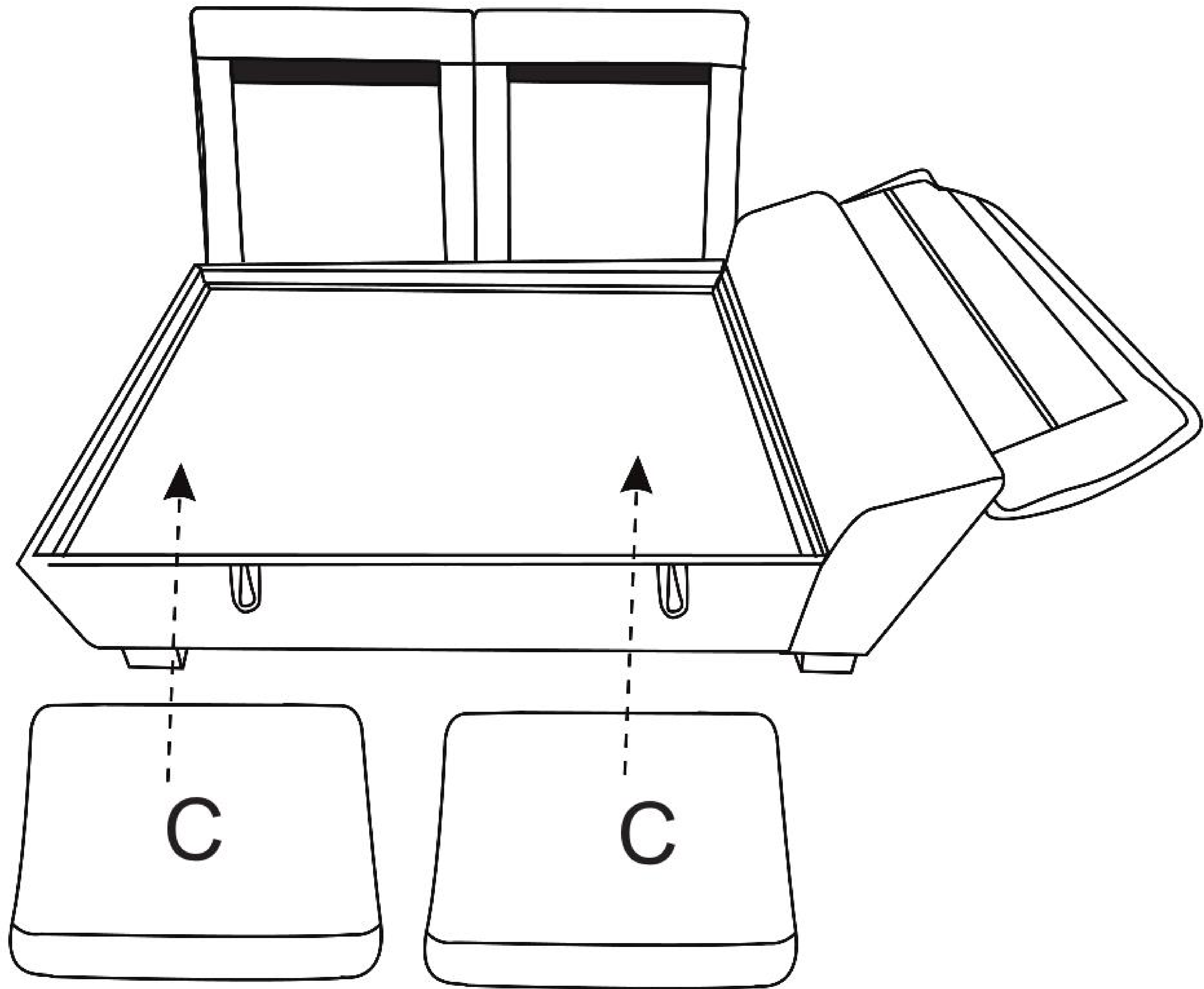


4

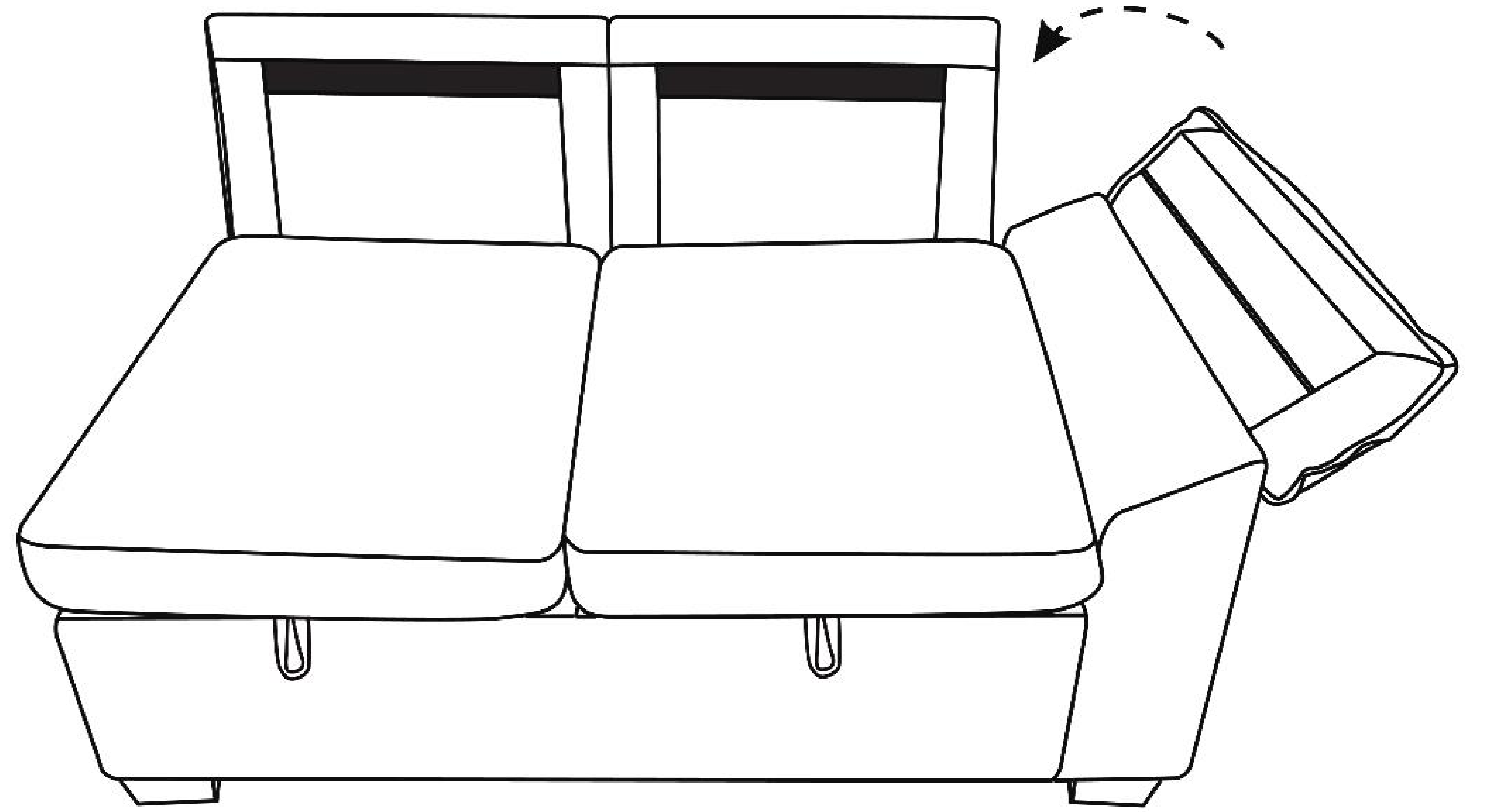


Two-seat mounting

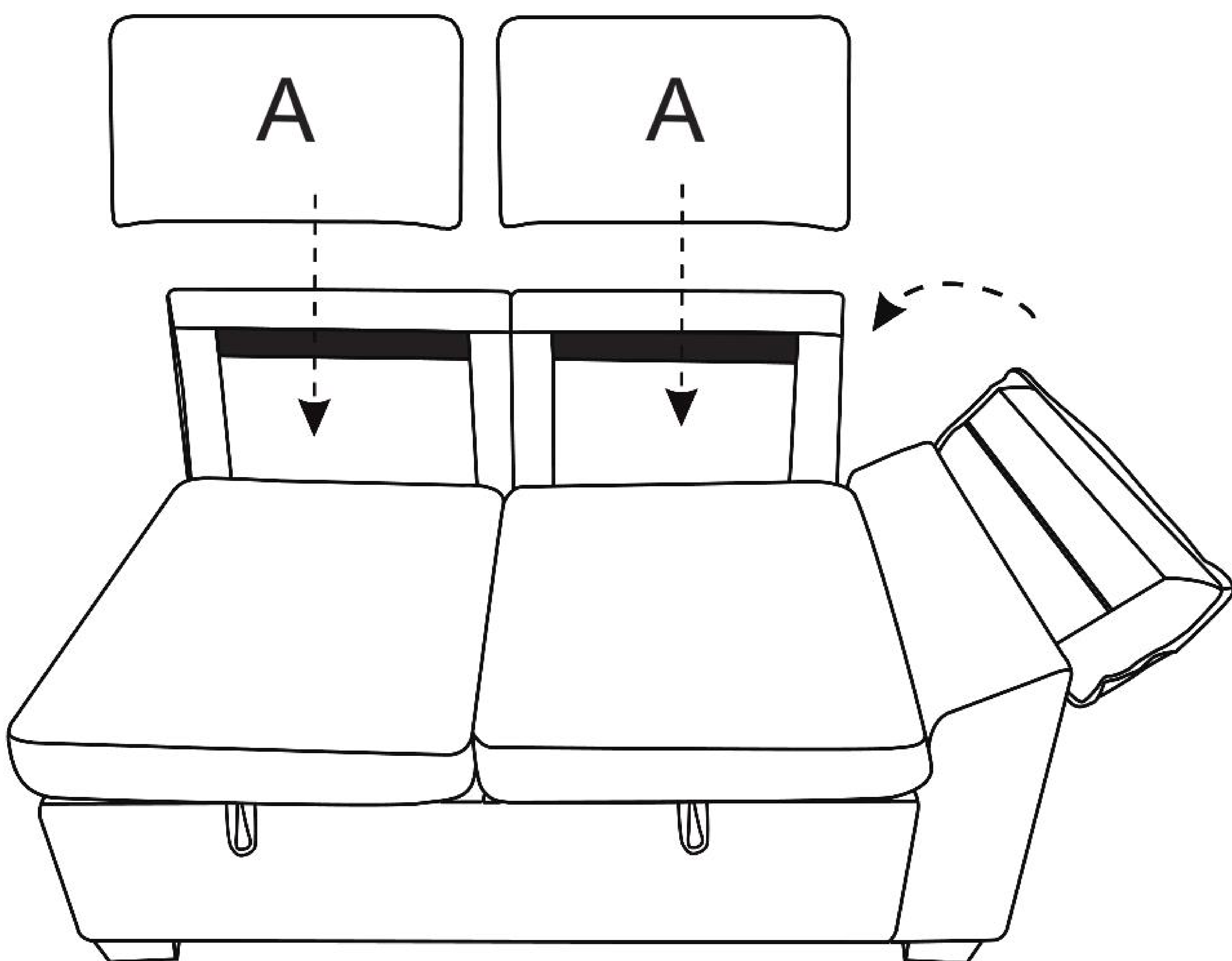
5



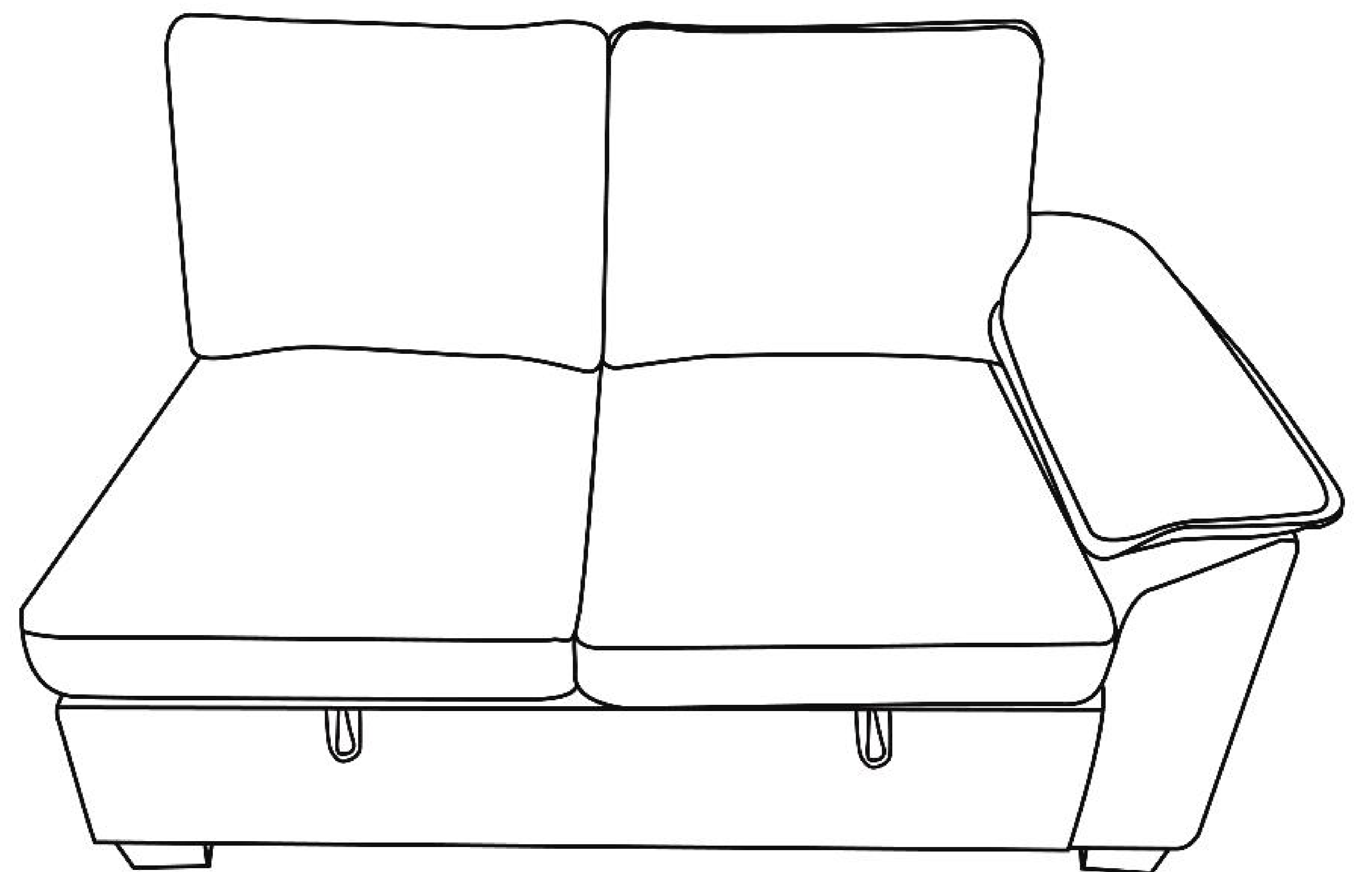
6



7



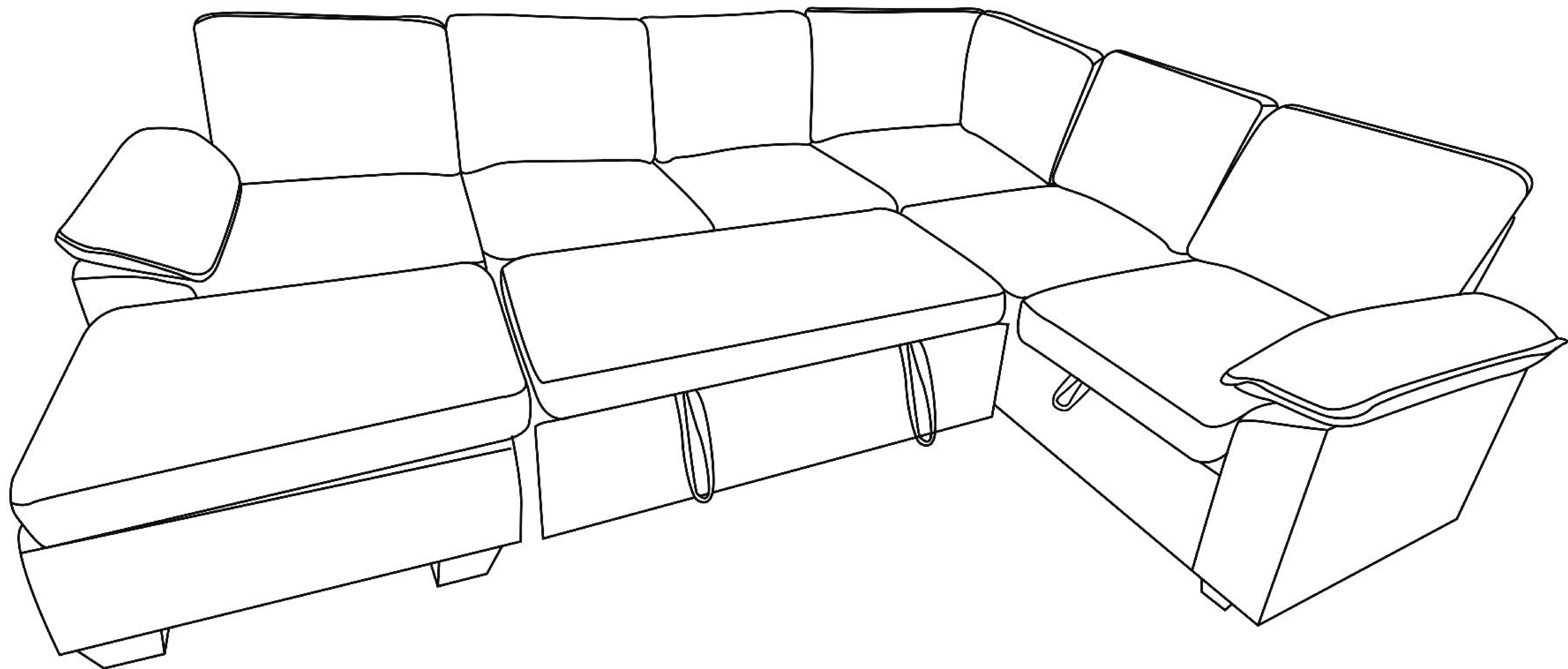
8



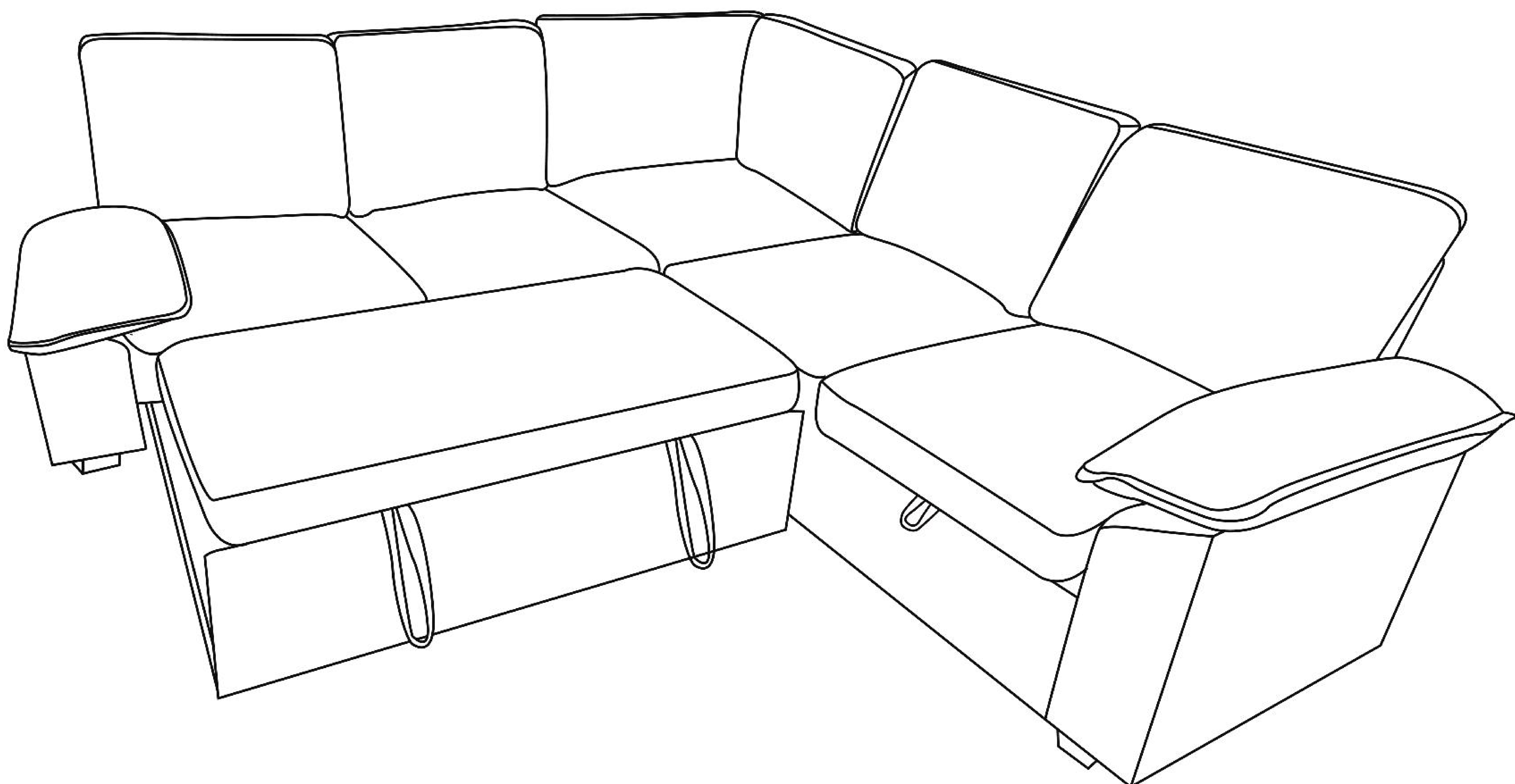
Combination Mode Display

(Please combine each part based on the mode you purchased)

Combination Mode 1



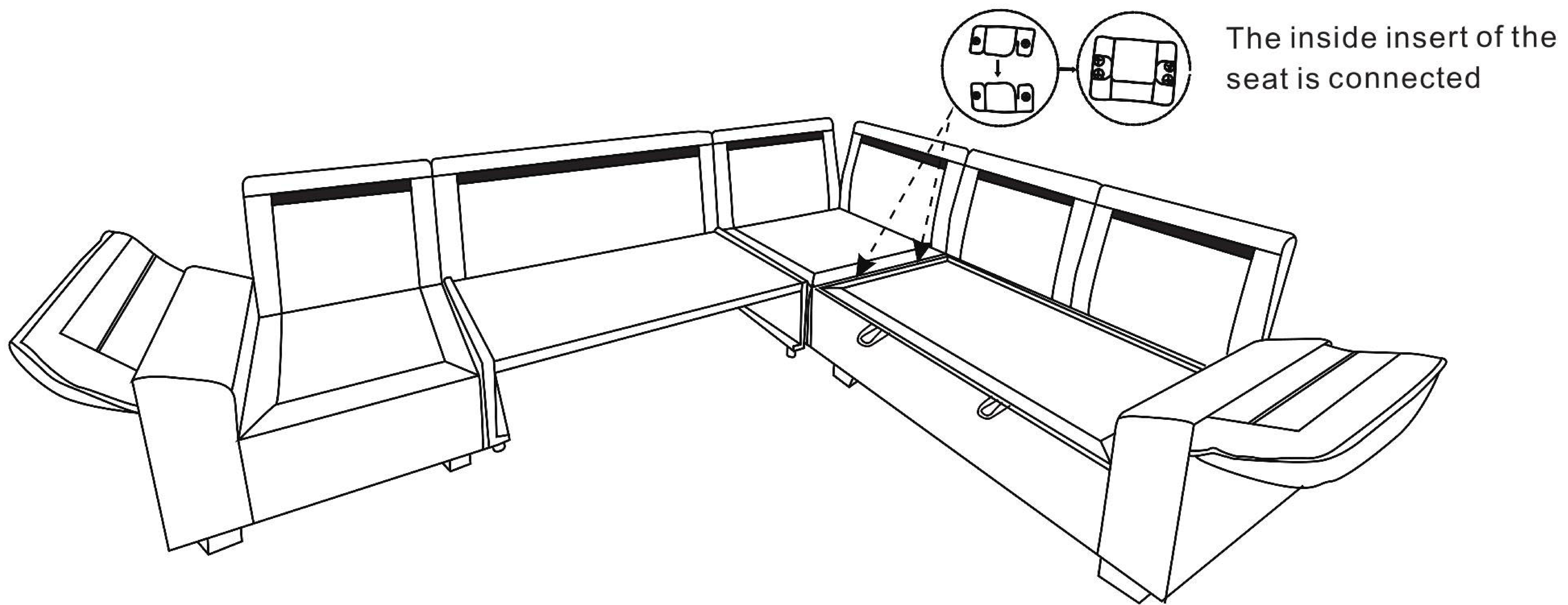
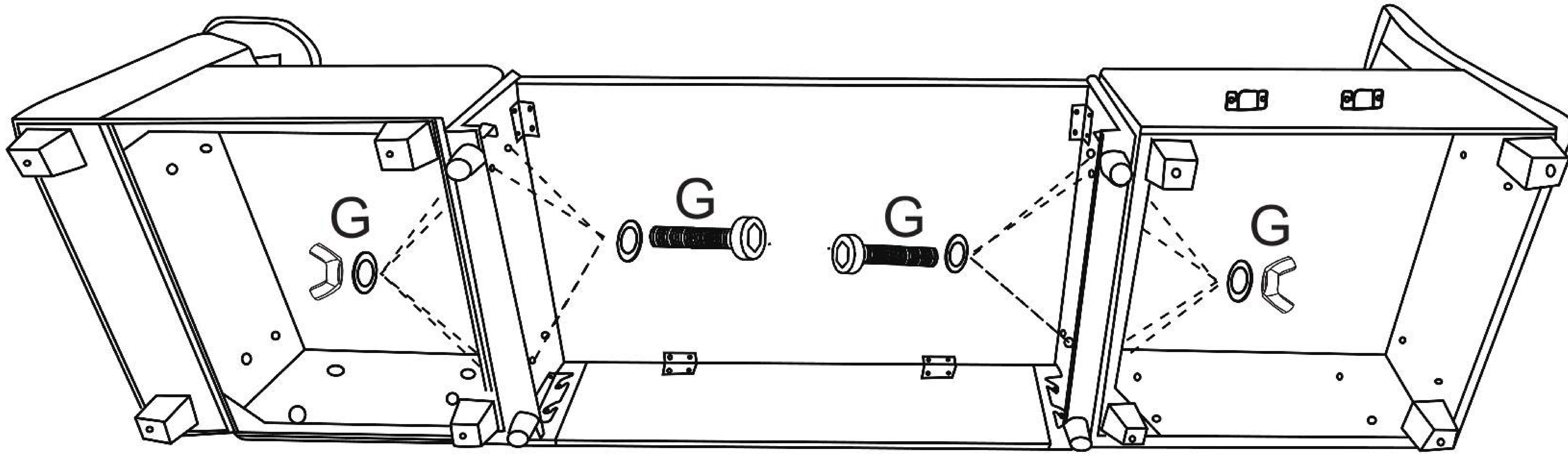
Combination Mode 2



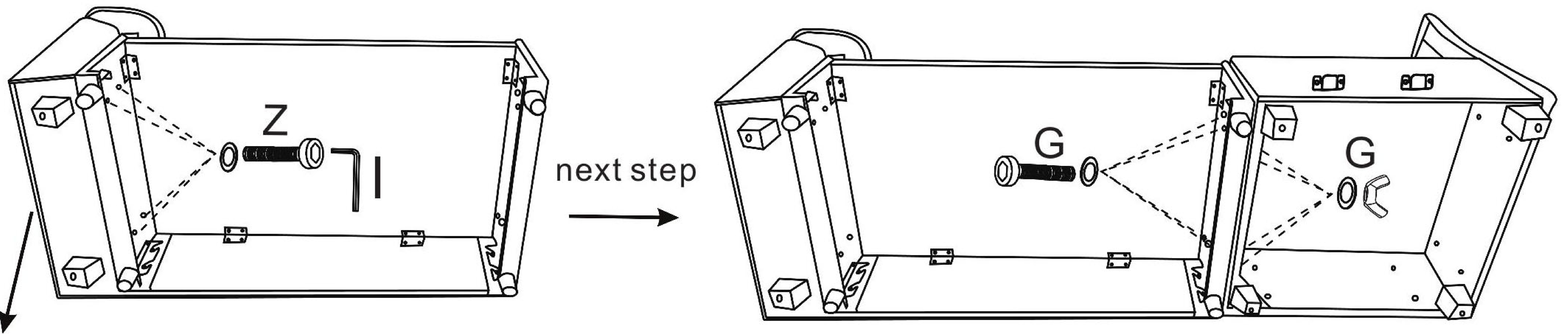
Note: cushions are vacuum-packed and it may take approximately 72 hours to expand to their intended size and shape fully

Fixed Seat Mode

Combination Method for Model 1



Combination Method for Model 2



The armrests are packed in a separate carton.

The inside insert of the seat is connected

