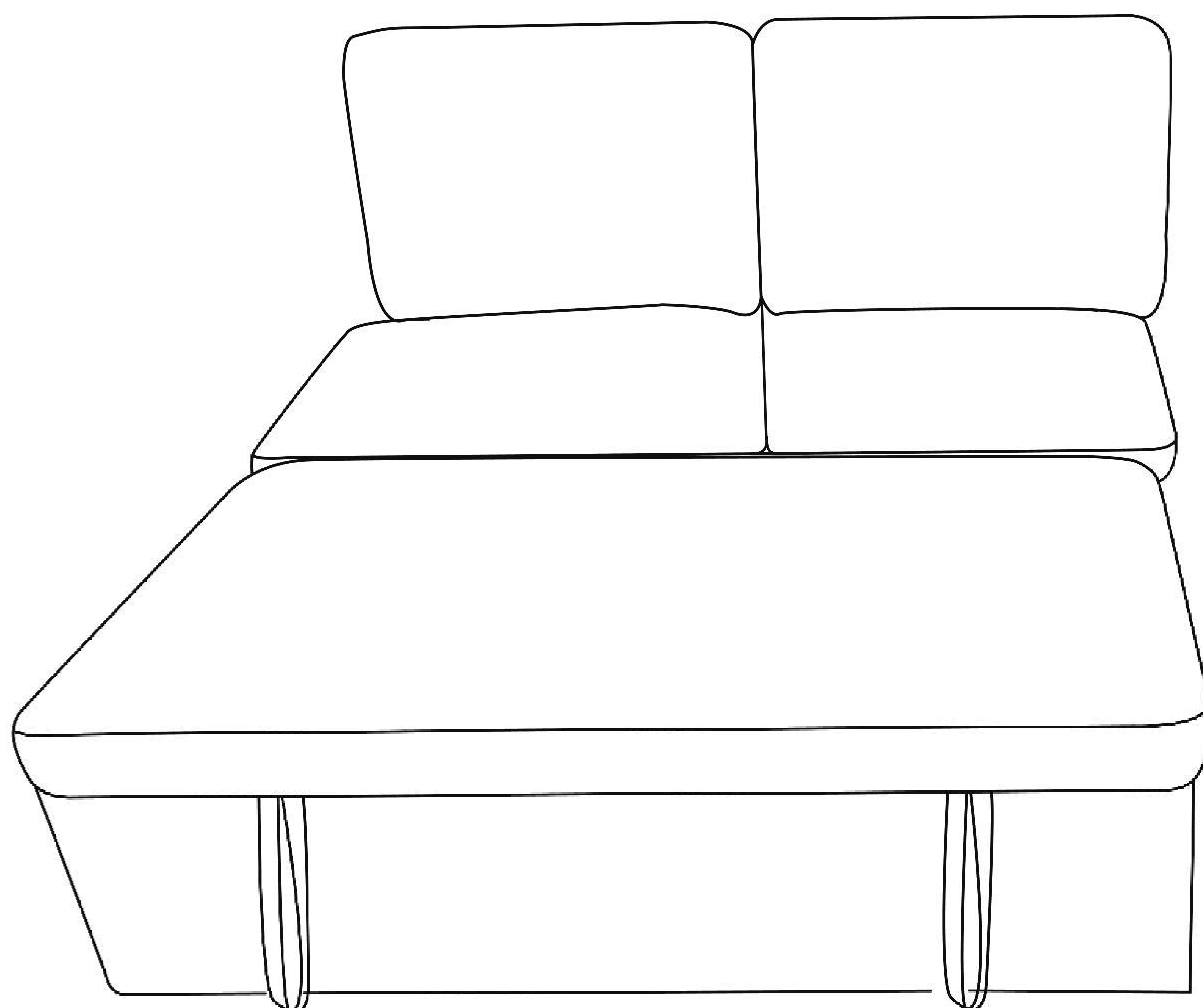


Assembly Manual

Sofa Bed



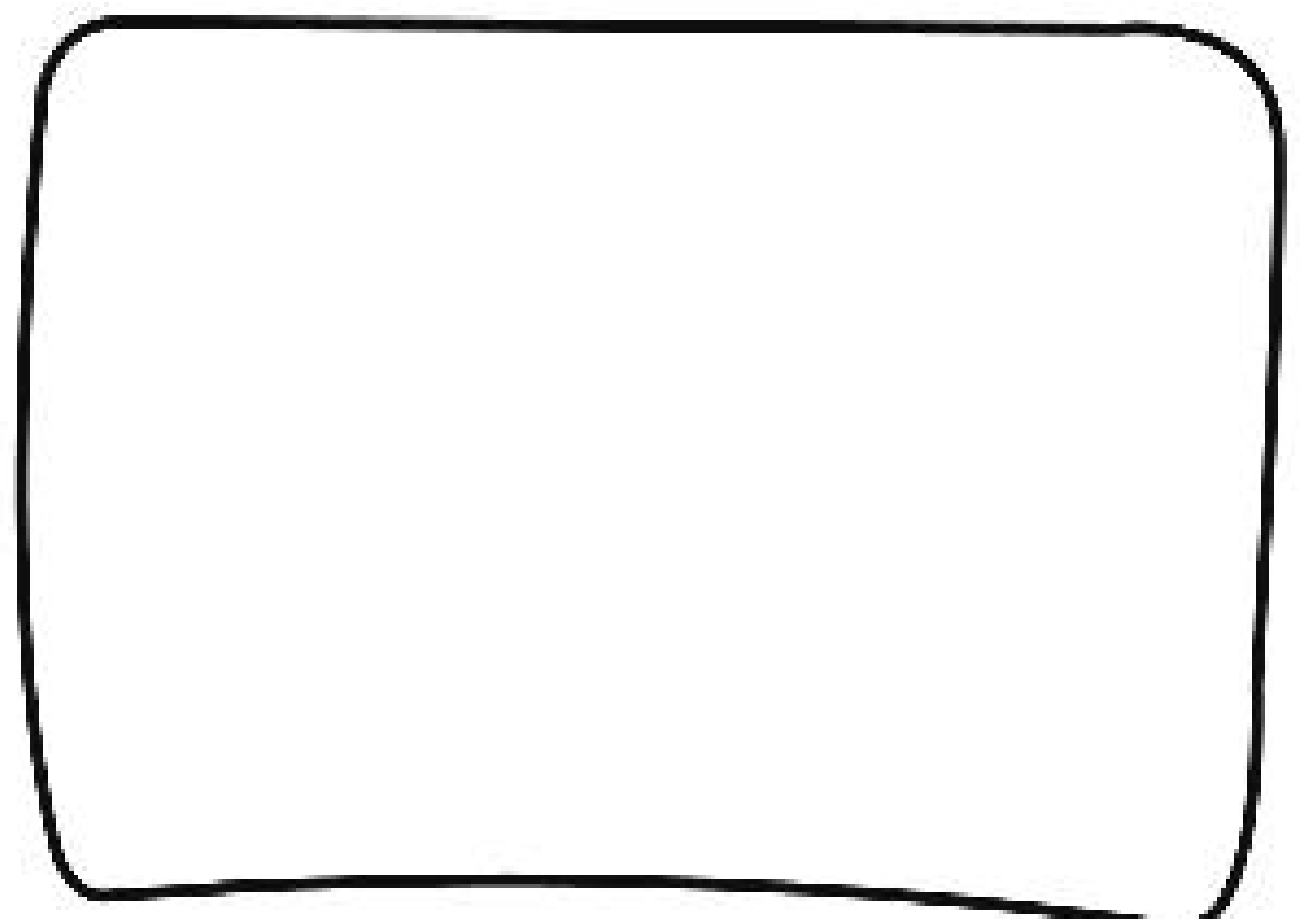
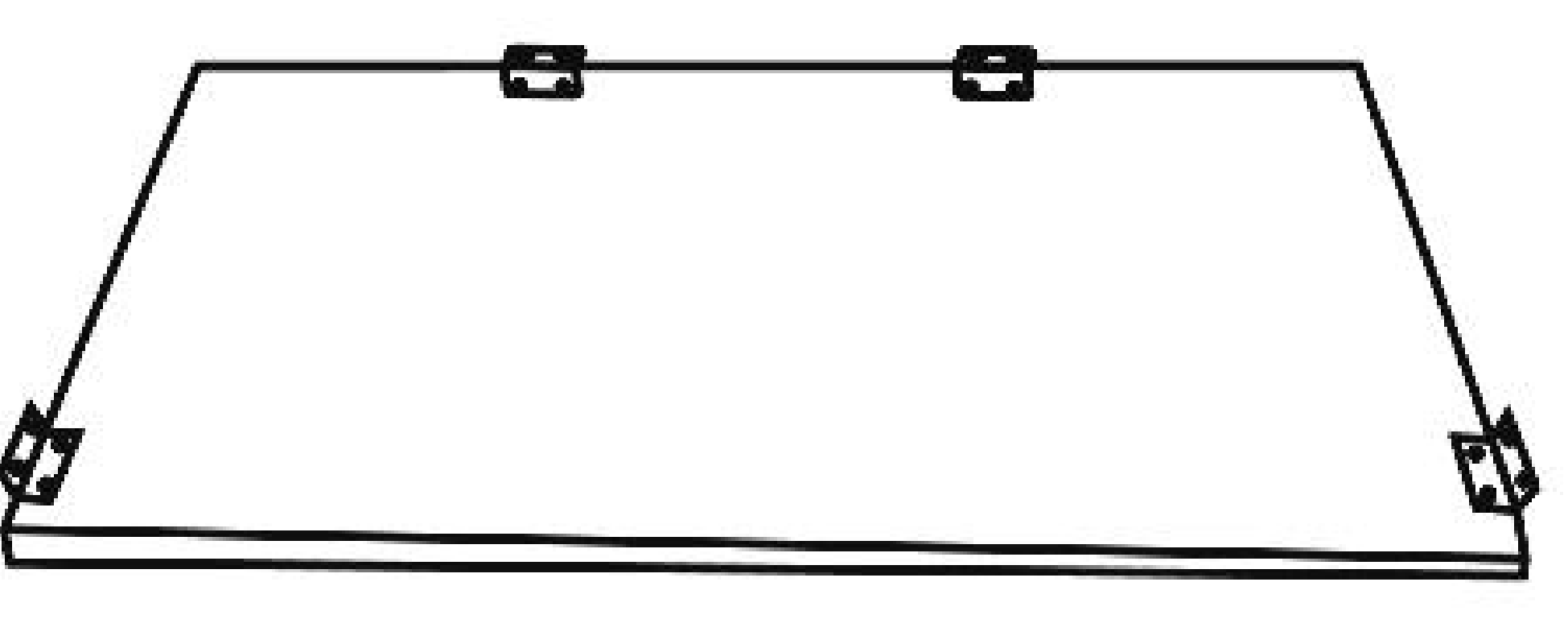
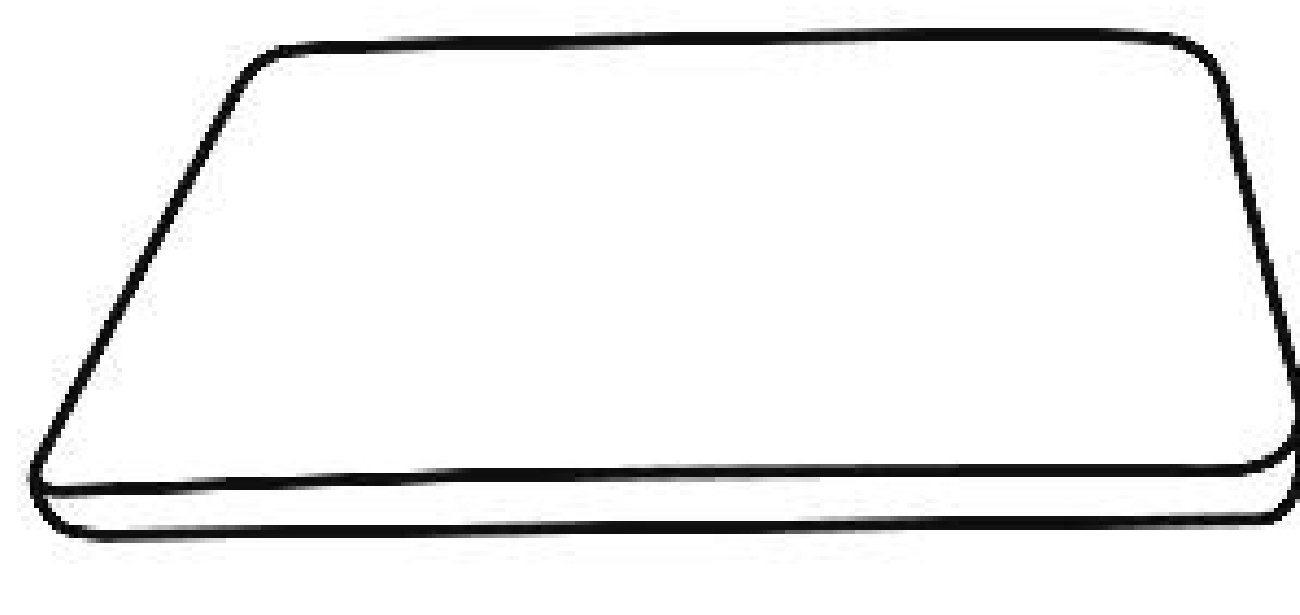
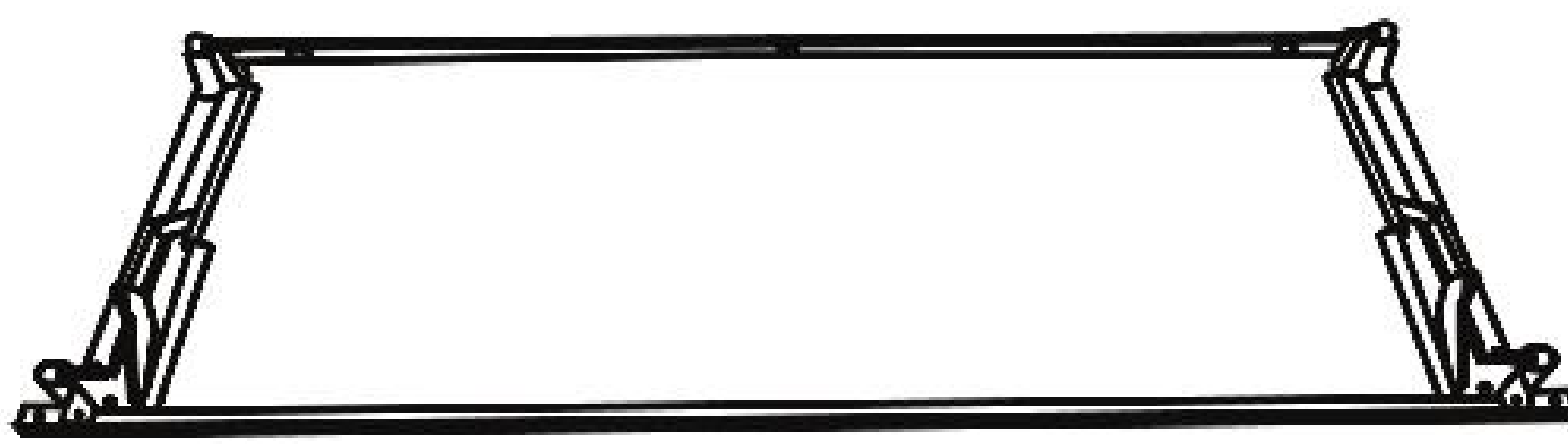
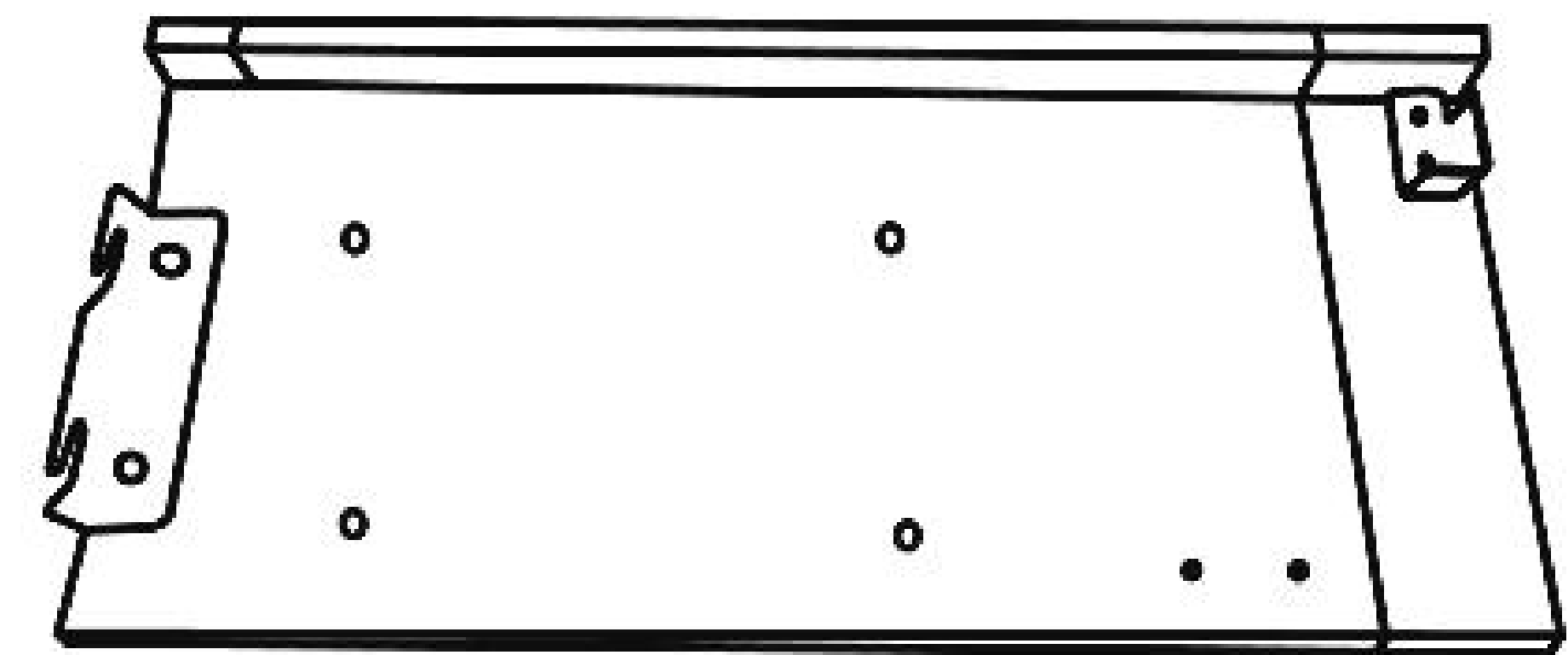
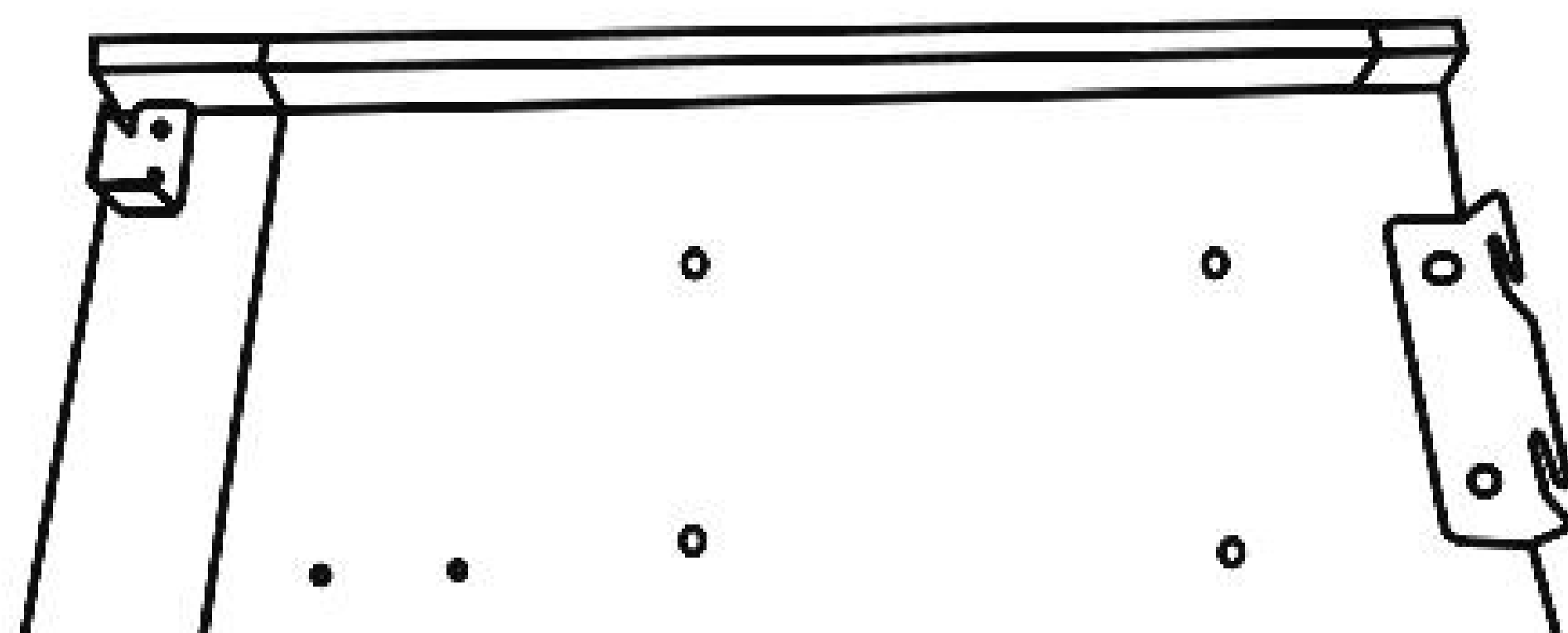
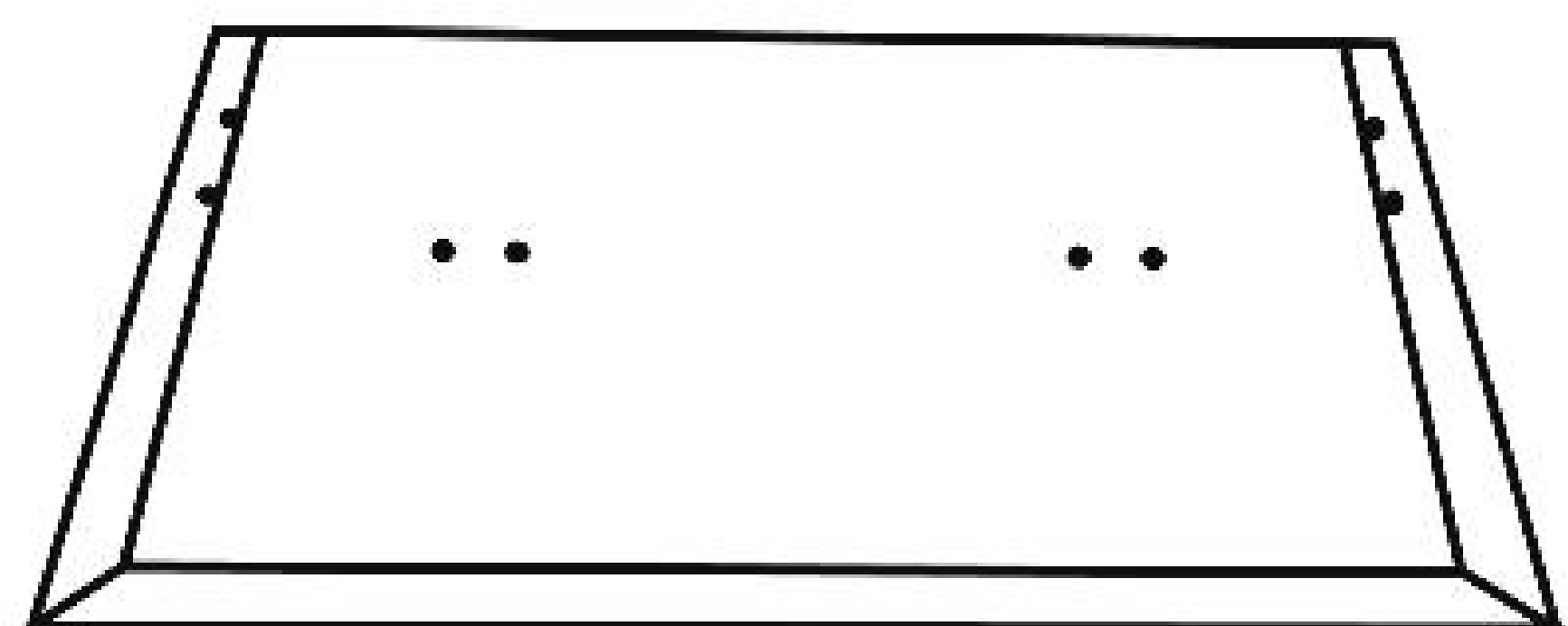
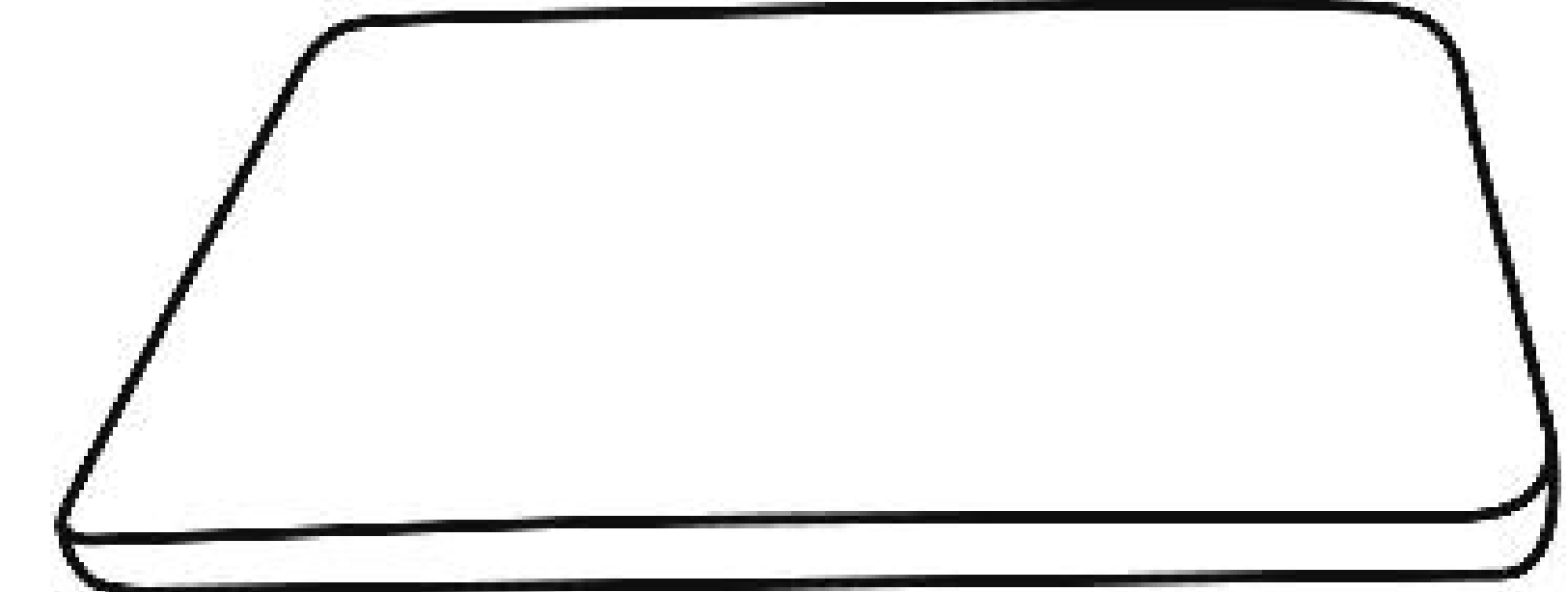
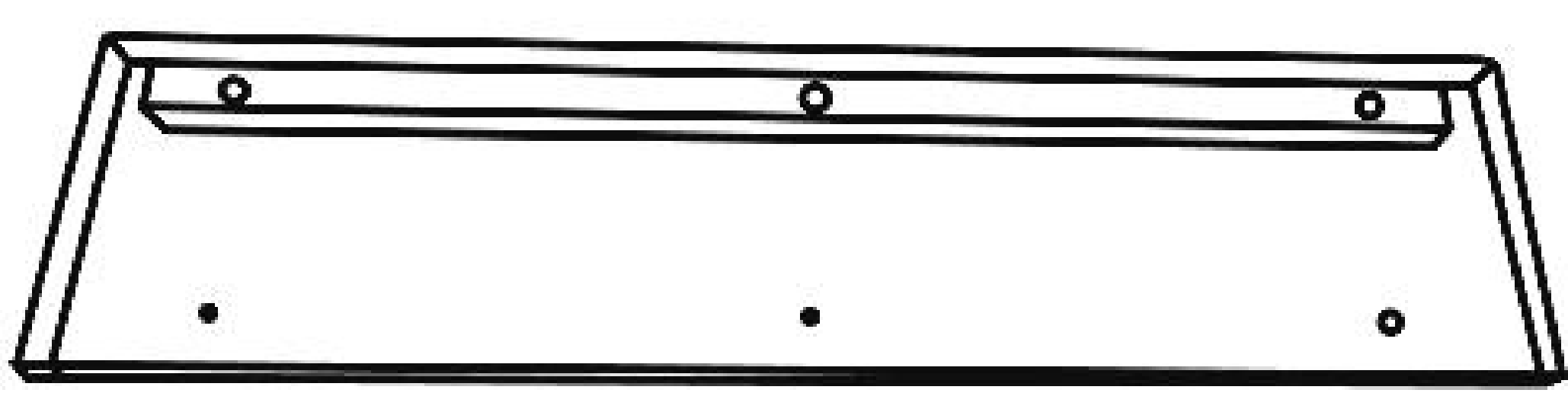
Assembly Instructions

Before Assembly

IMPORTANT NOTE:

1. Make sure all parts and hardware are included and free of obvious defect before disposing of any packaging.
2. Place all wooden parts on a clean and smooth surface such as a rug or carpet to avoid the parts from being scratched.
3. Do not tighten all screws and bolts until completely assembled.
4. Assembly will require two people.

Part List

| | | | |
|---|--|-------------------|---|
| A |  | Back cushion | 2 |
| B |  | Cover plate | 1 |
| C |  | Cushion | 2 |
| D |  | Seat | 1 |
| E |  | Left panel | 1 |
| F |  | Right panel | 1 |
| M |  | Back frame | 1 |
| H |  | Sit on a soft bag | 1 |
| I |  | Seat frame | 1 |

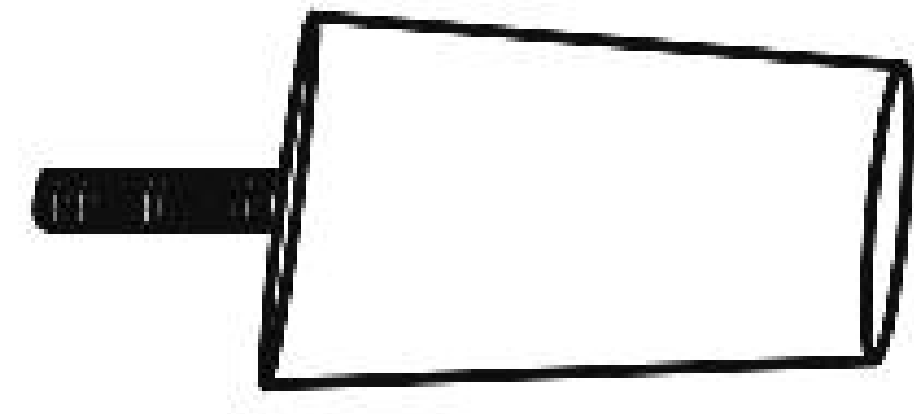
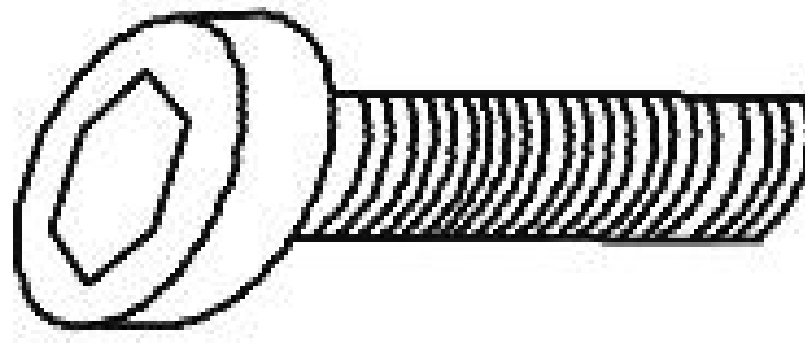

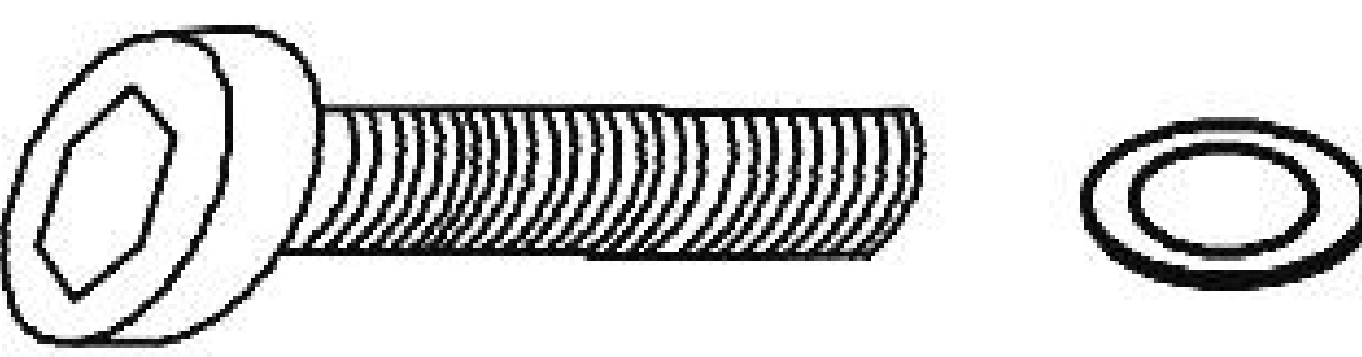
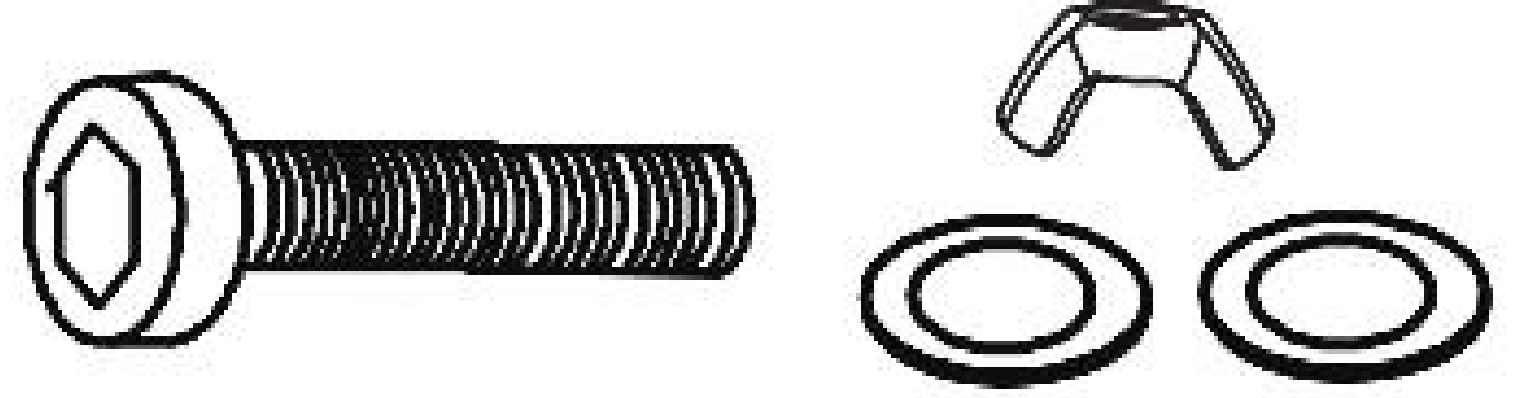
Assembly Instructions

Before Assembly

IMPORTANT NOTE:

1. Make sure all parts and hardware are included and free of obvious defect before disposing of any packaging.
2. Place all wooden parts on a clean and smooth surface such as a rug or carpet to avoid the parts from being scratched.
3. Do not tighten all screws and bolts until completely assembled.
4. Assembly will require two people.

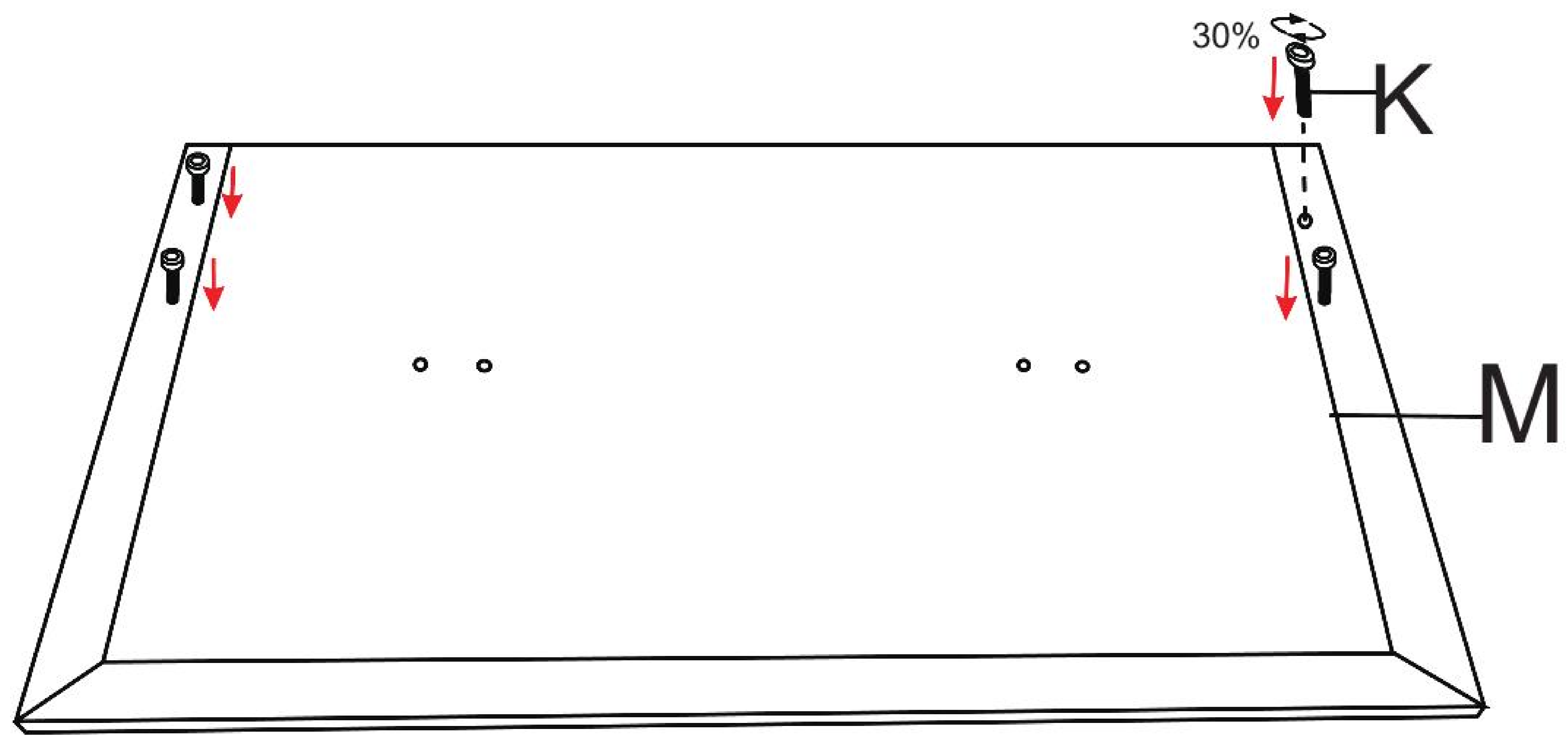
Part List

| | | | |
|---|---|--------|----|
| J |  | Foot | 4 |
| K |  | Wrench | 12 |
| L |  | Screw | 1 |
| N |  | Wrench | 3 |
| G |  | Wrench | 4 |

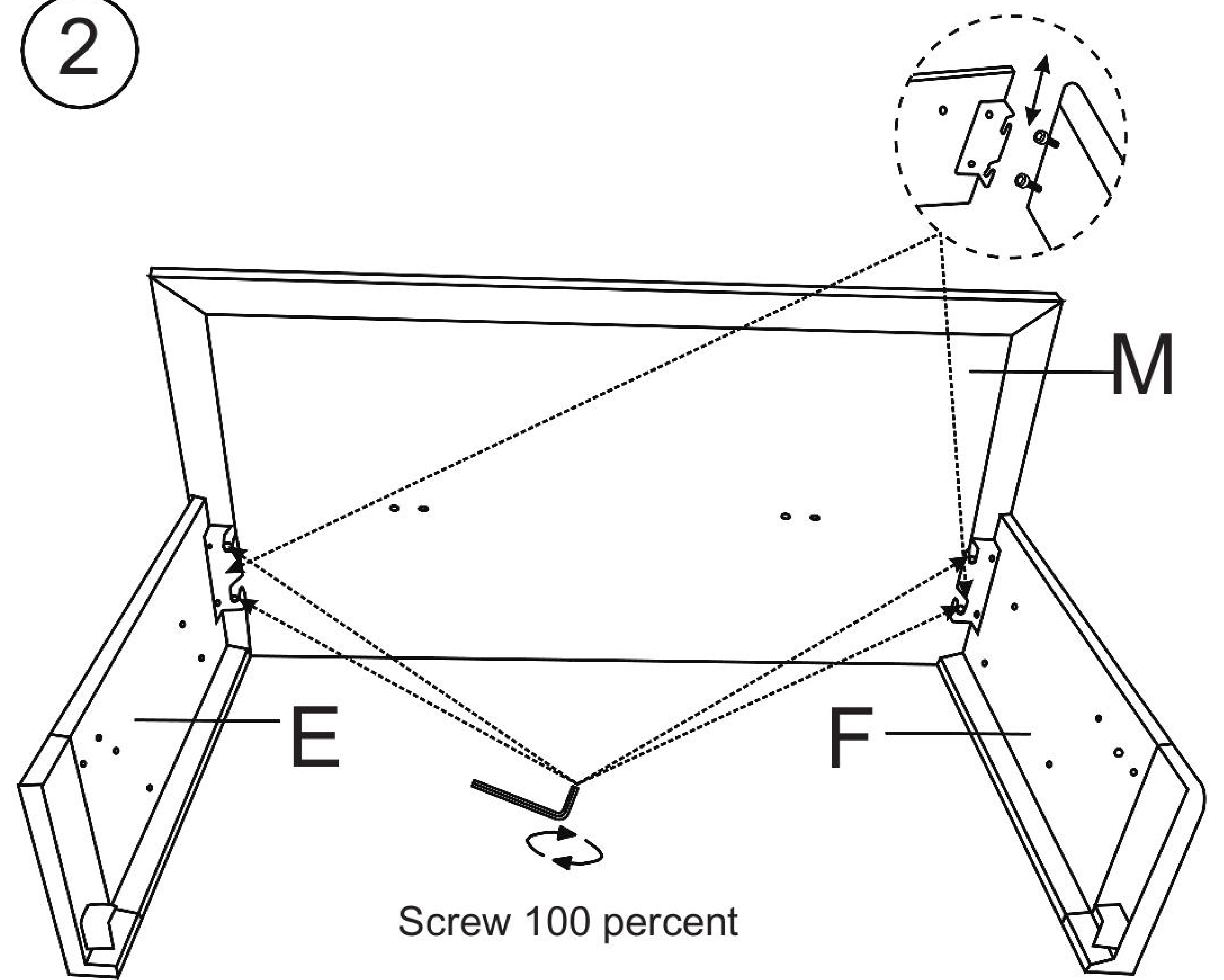
Sofa bed instructions

1

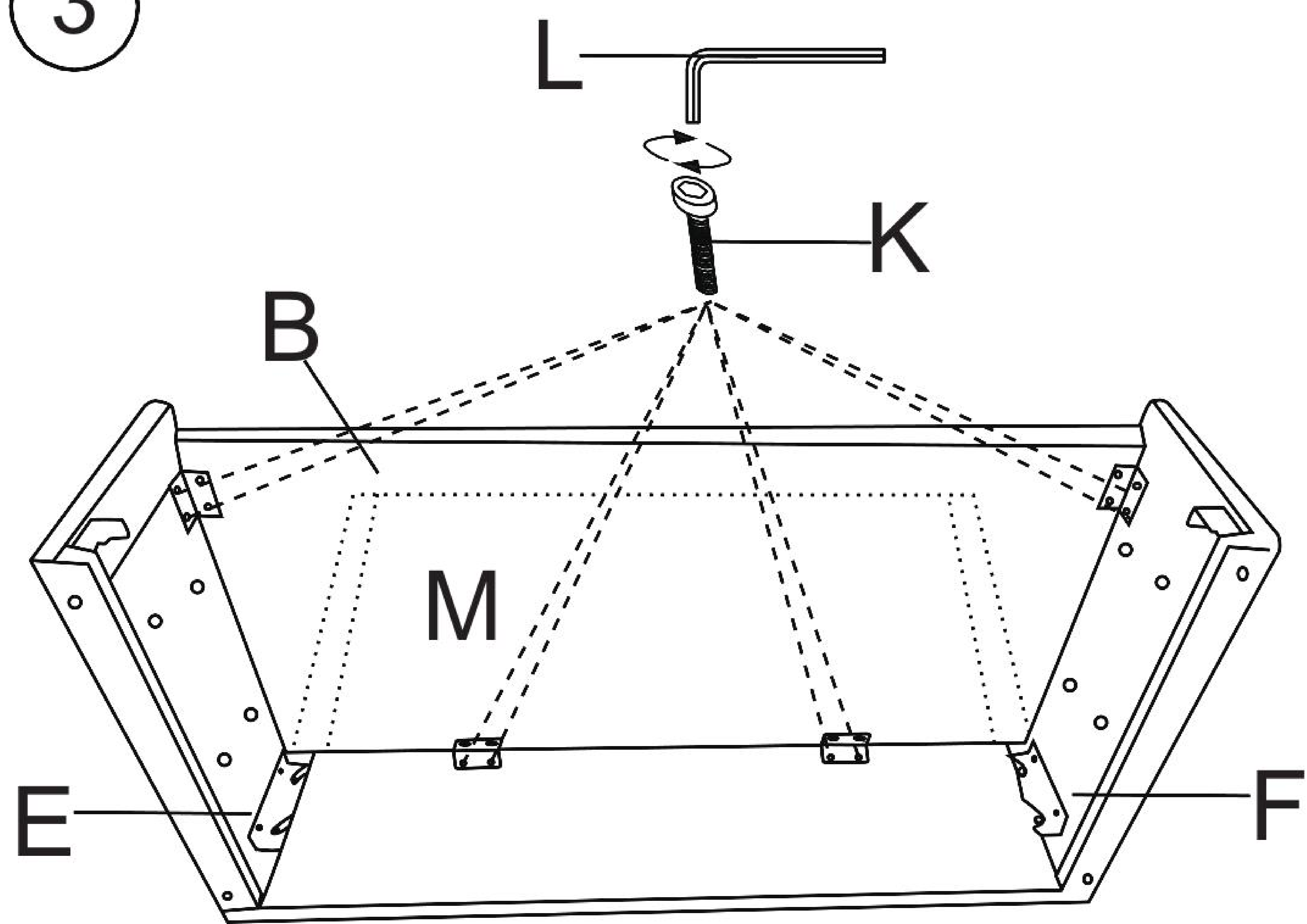
Screw 30 percent



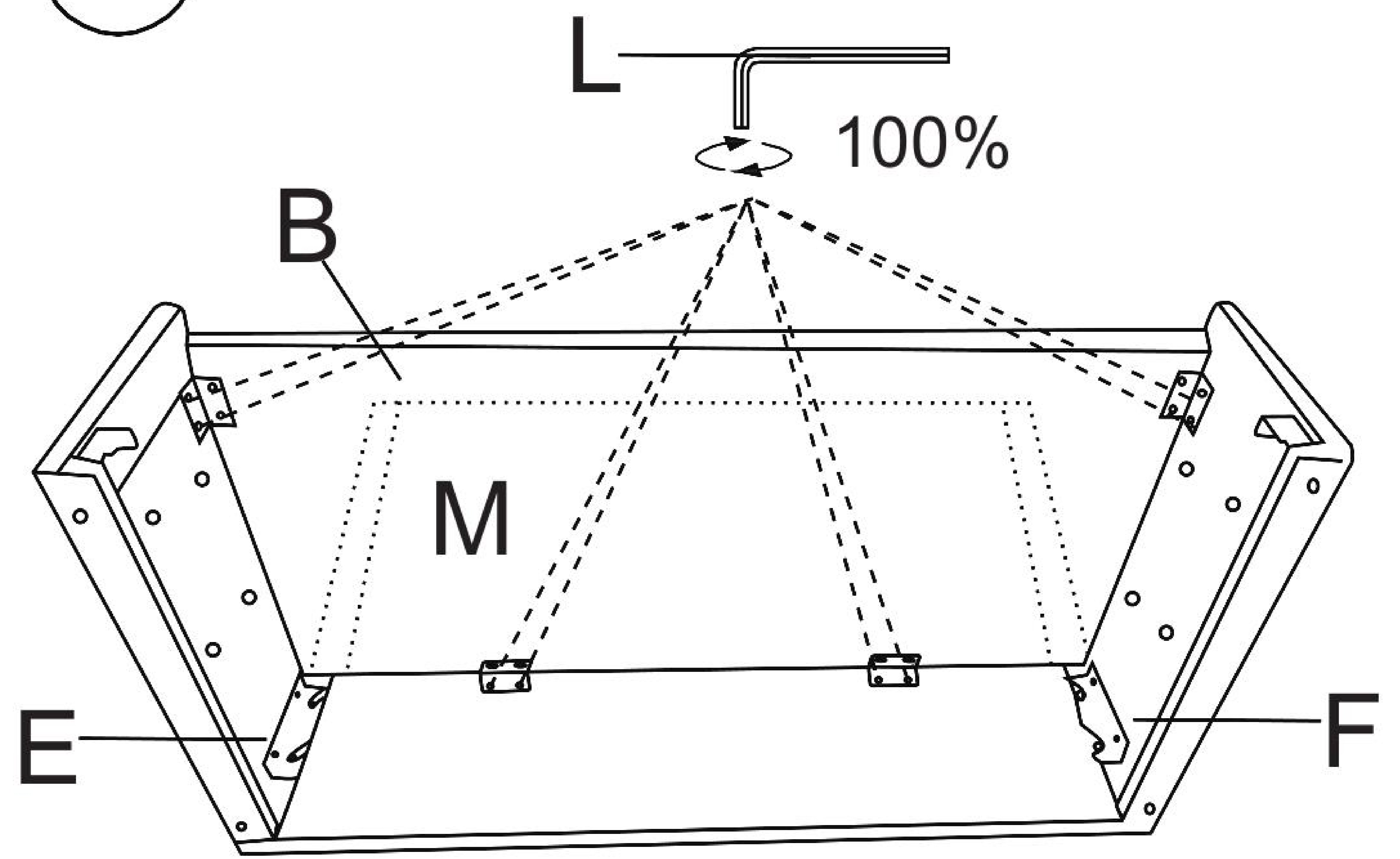
2



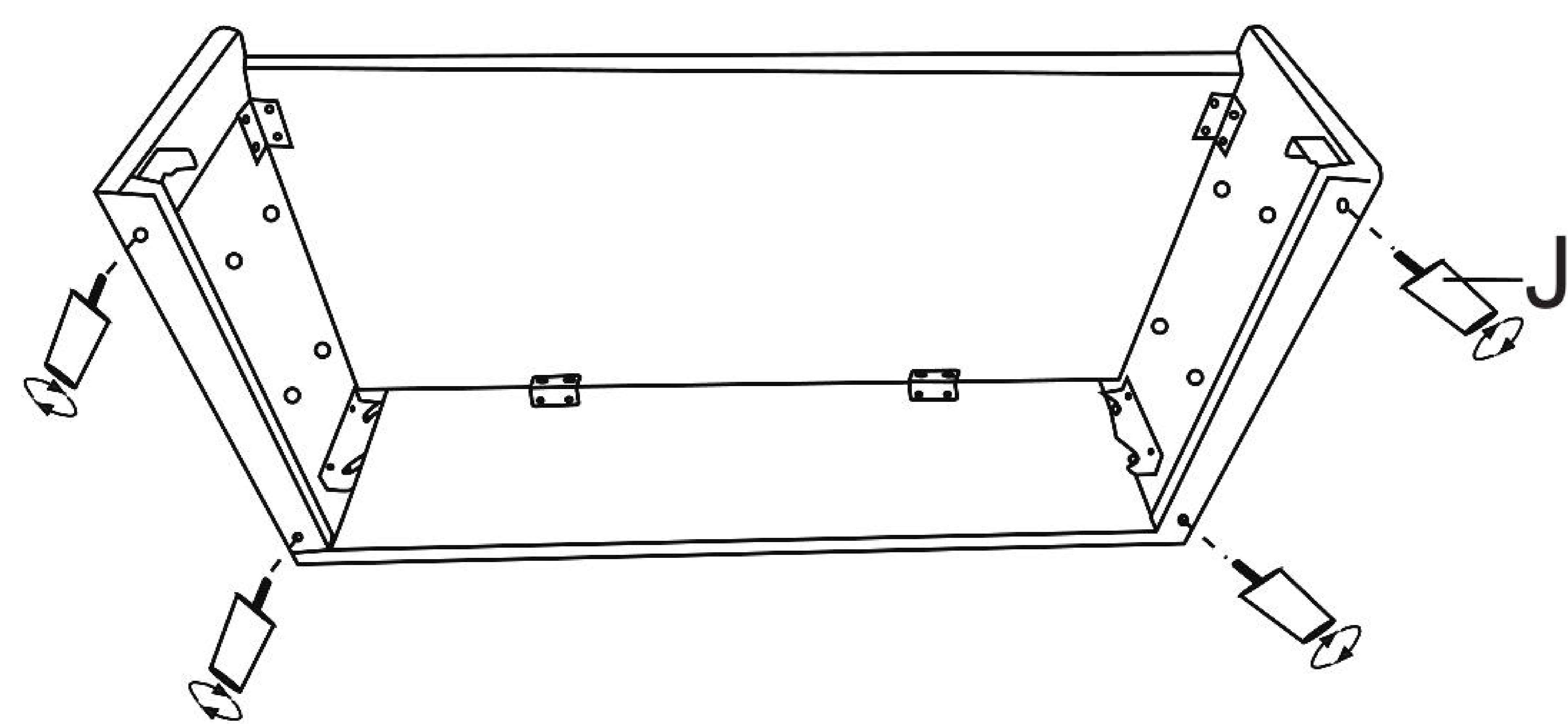
3



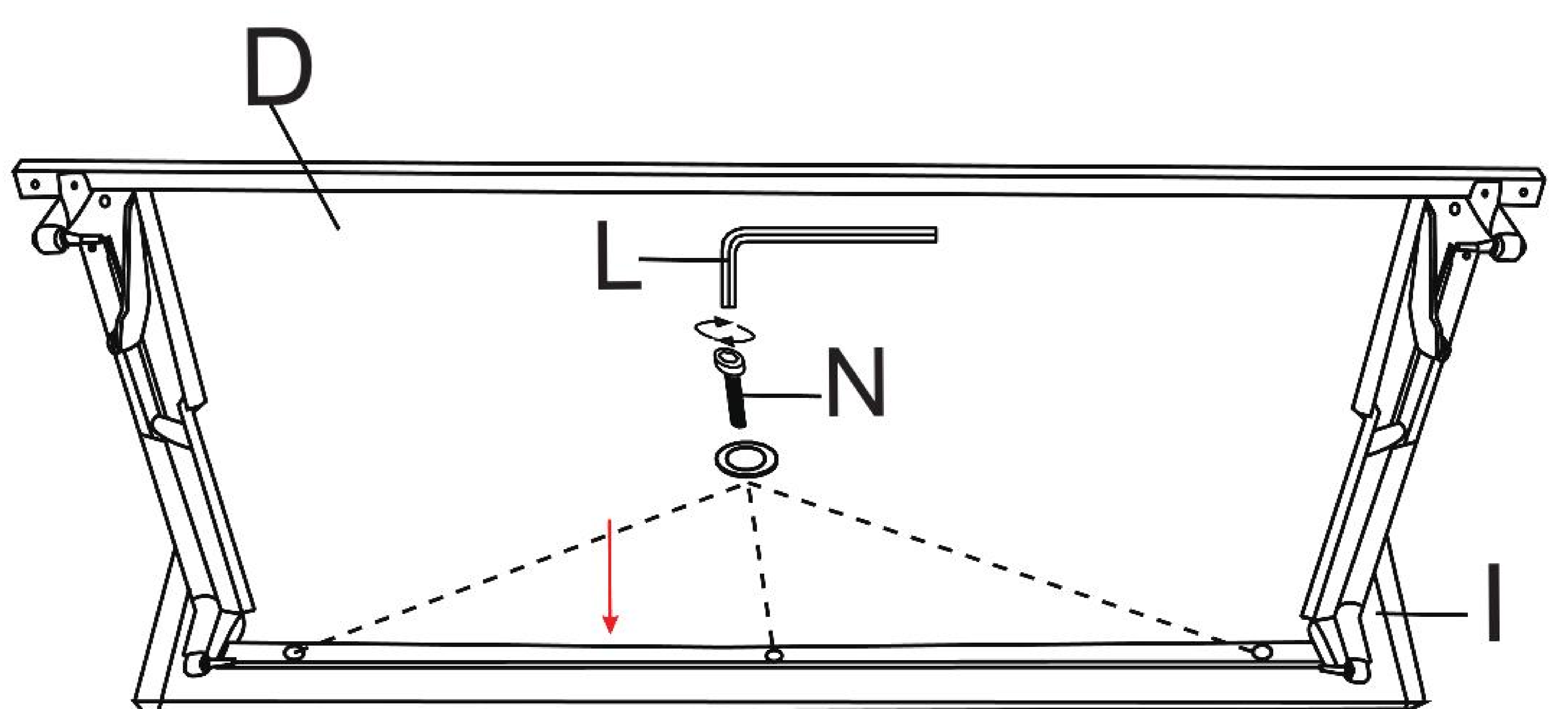
4



5



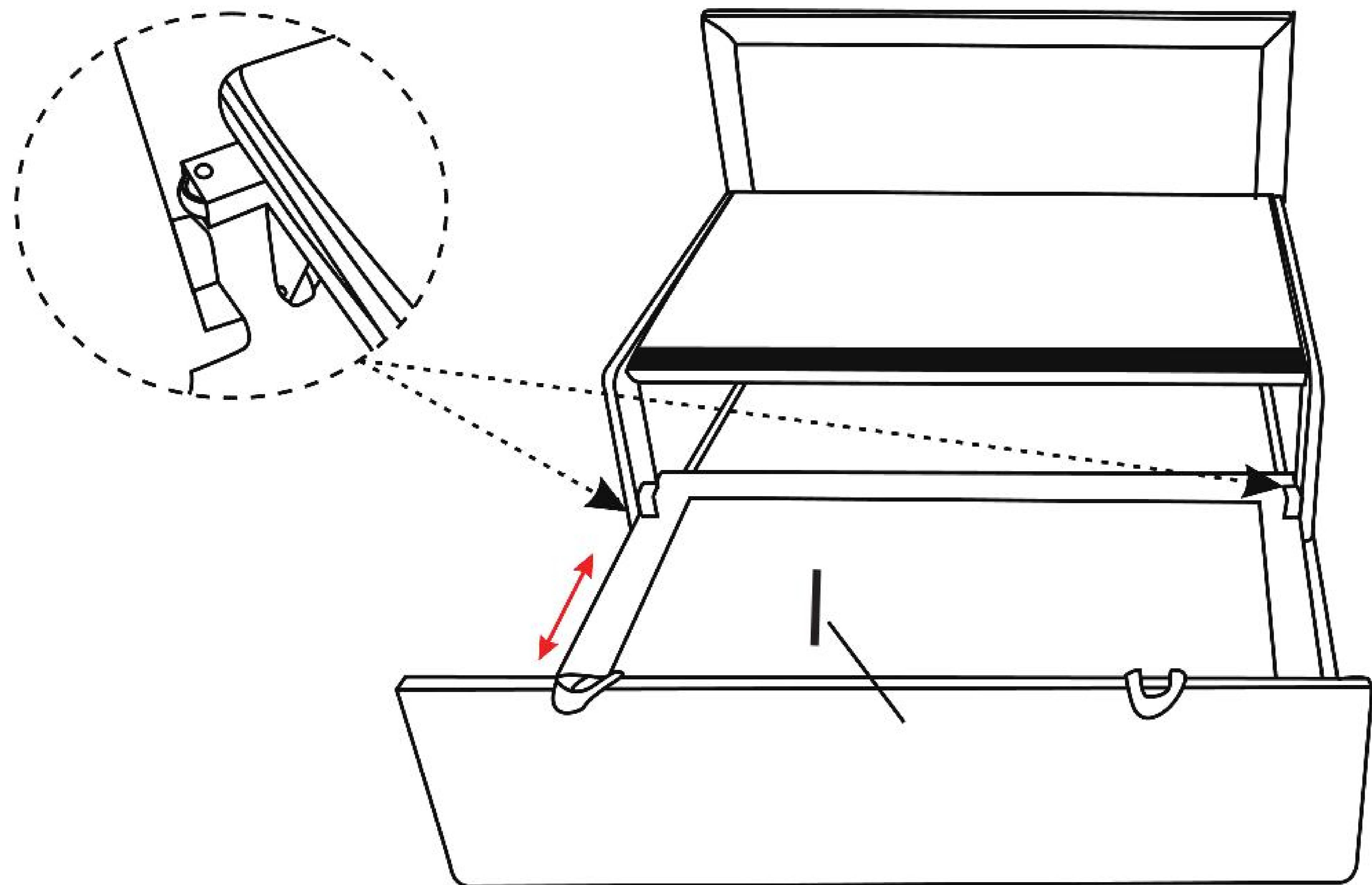
6



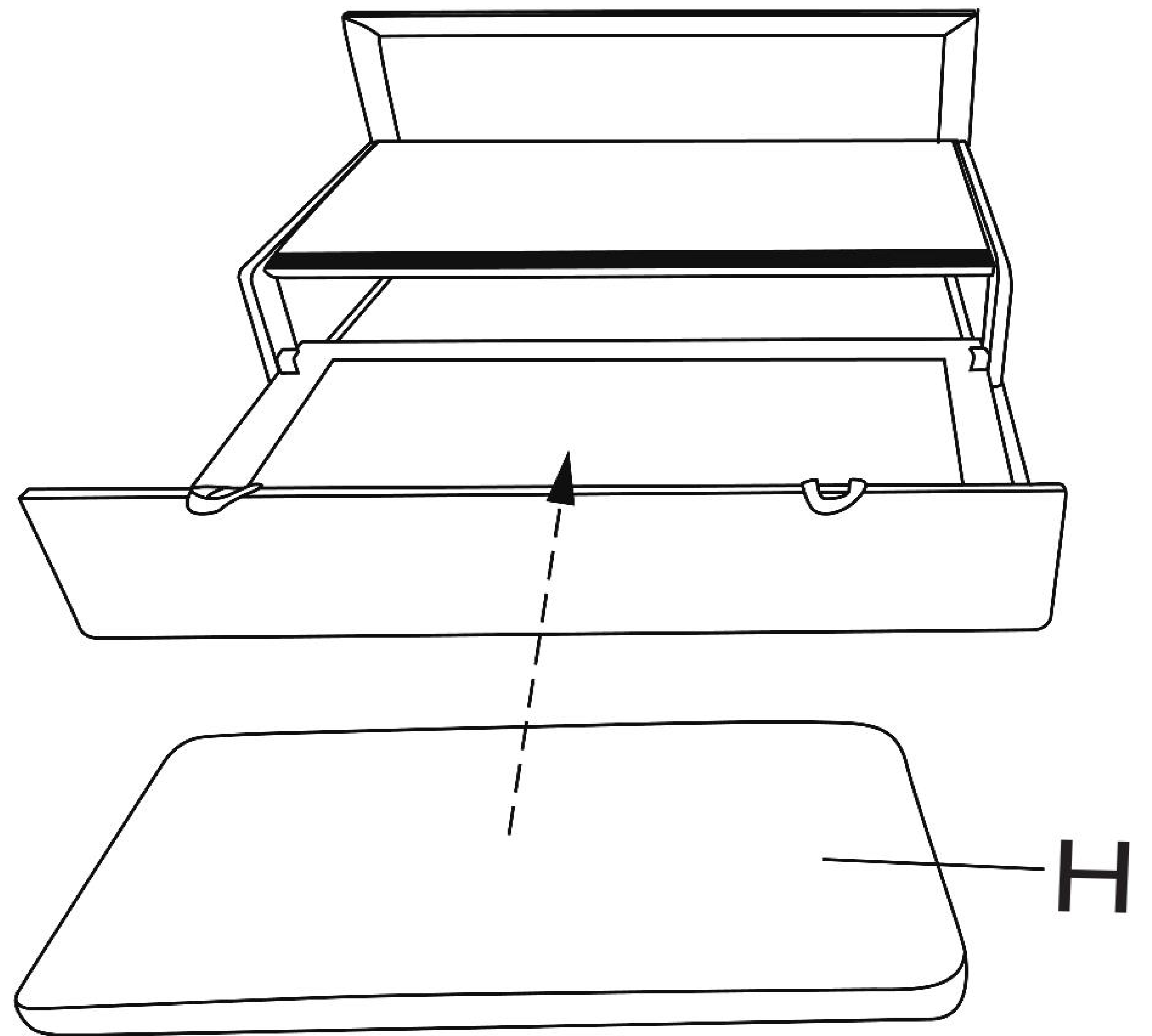
Sofa bed instructions

7

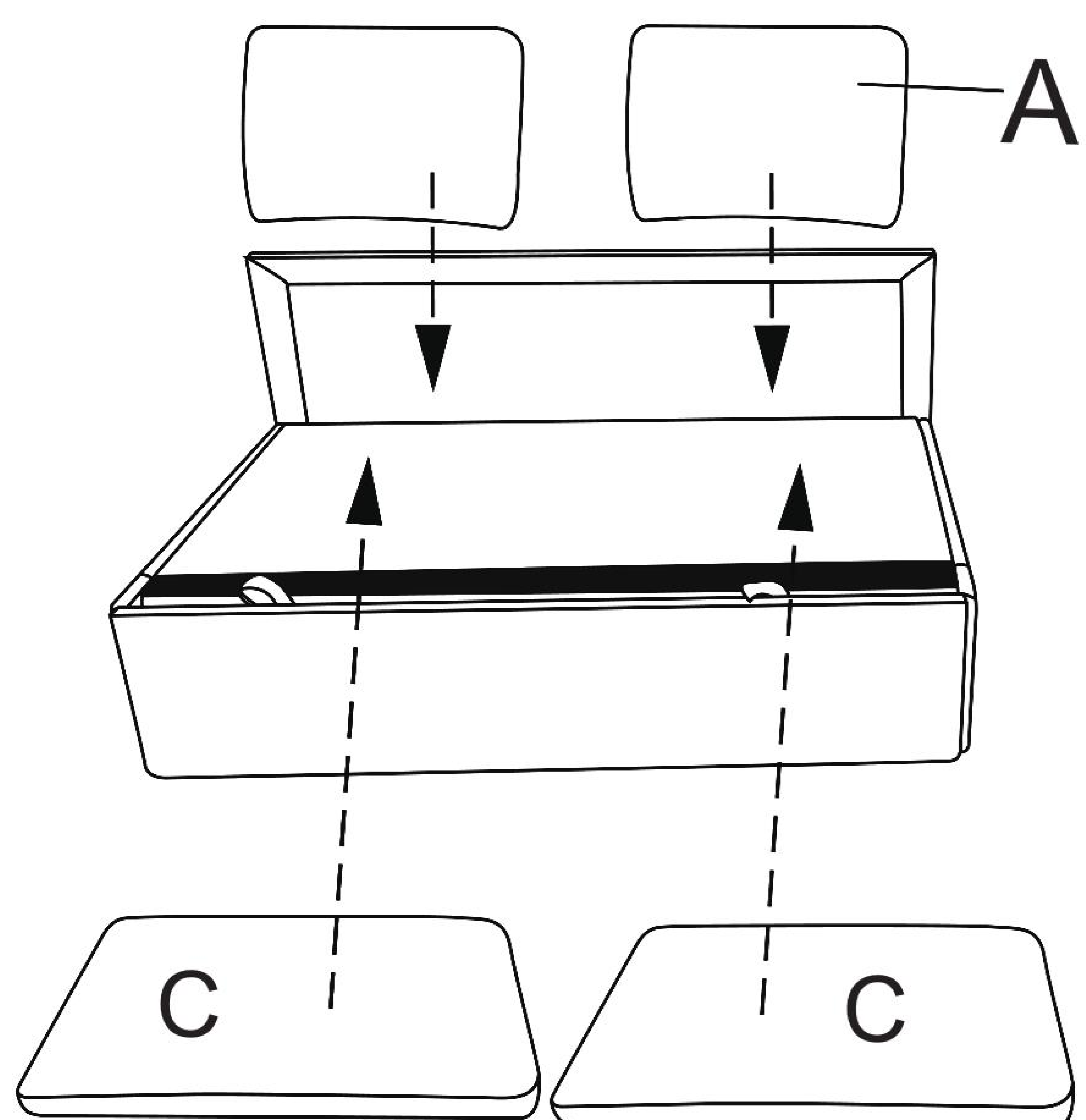
Lift the bed up a little and push it in



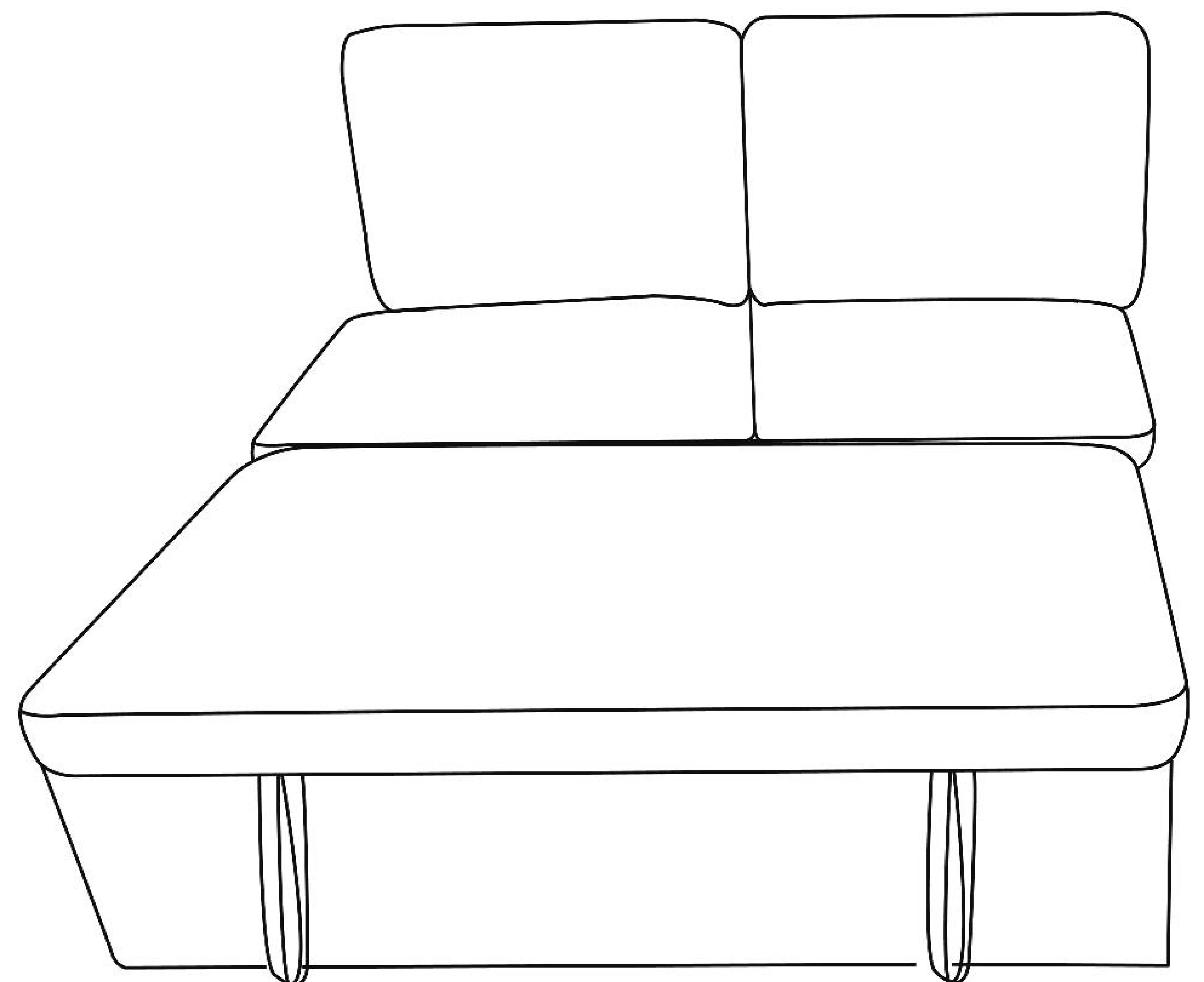
8



9



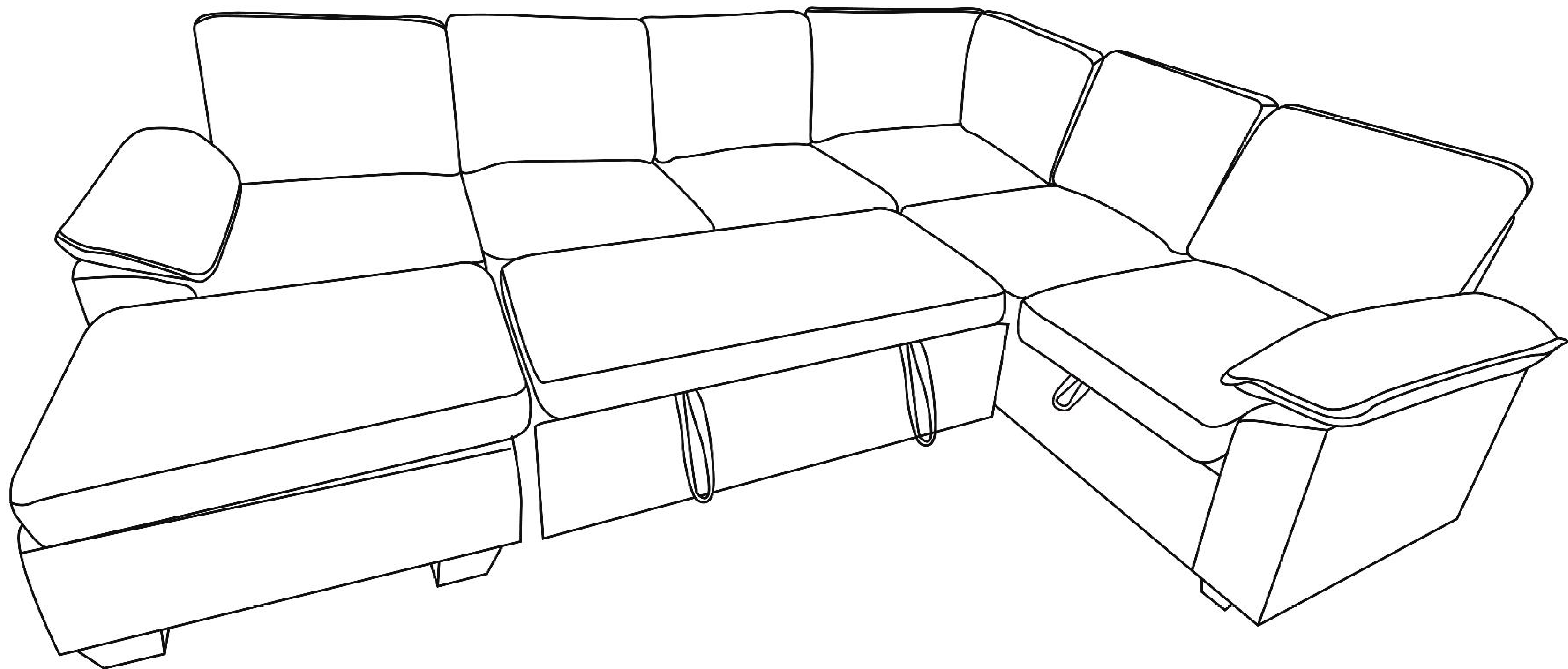
10



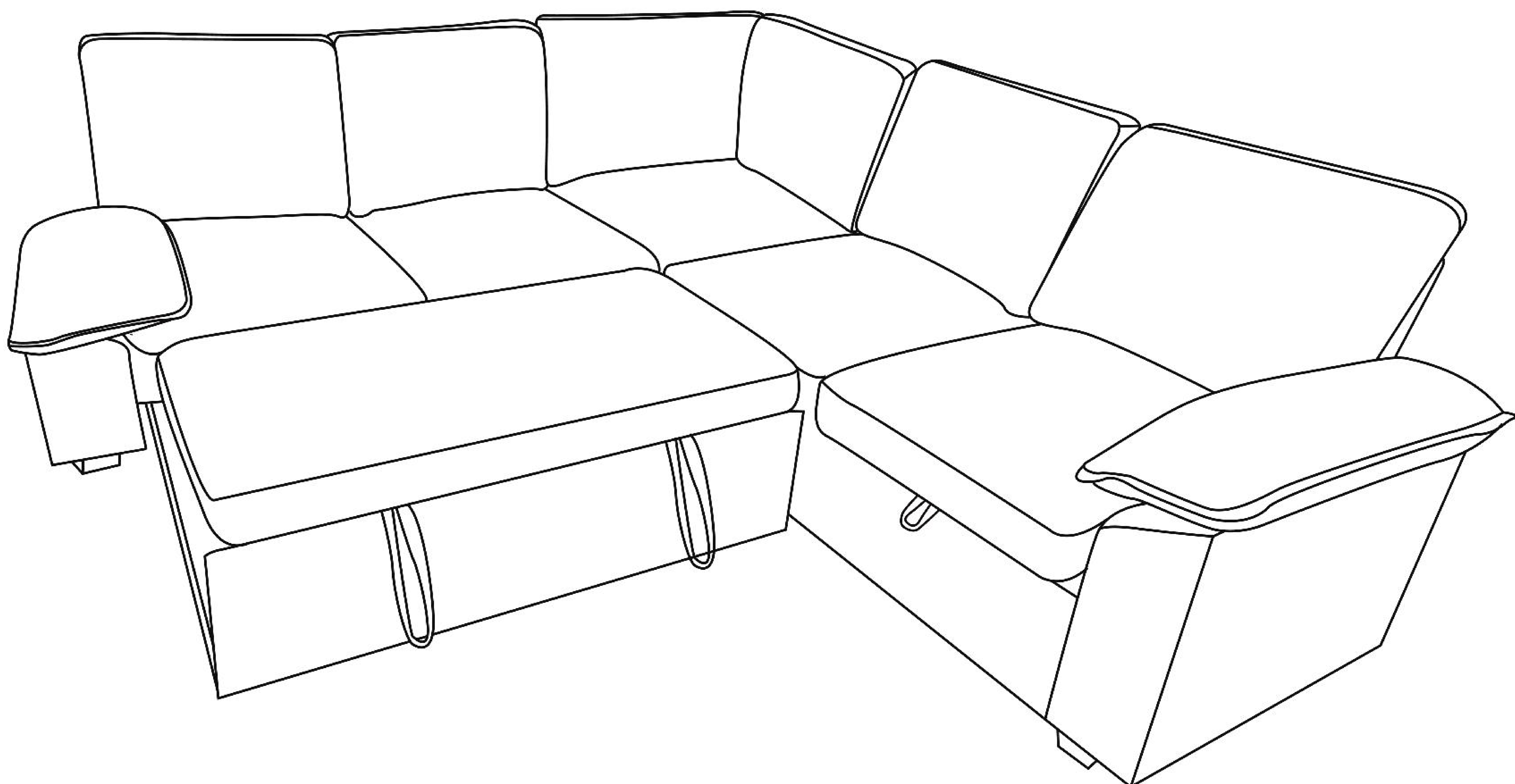
Combination Mode Display

(Please combine each part based on the mode you purchased)

Combination Mode 1



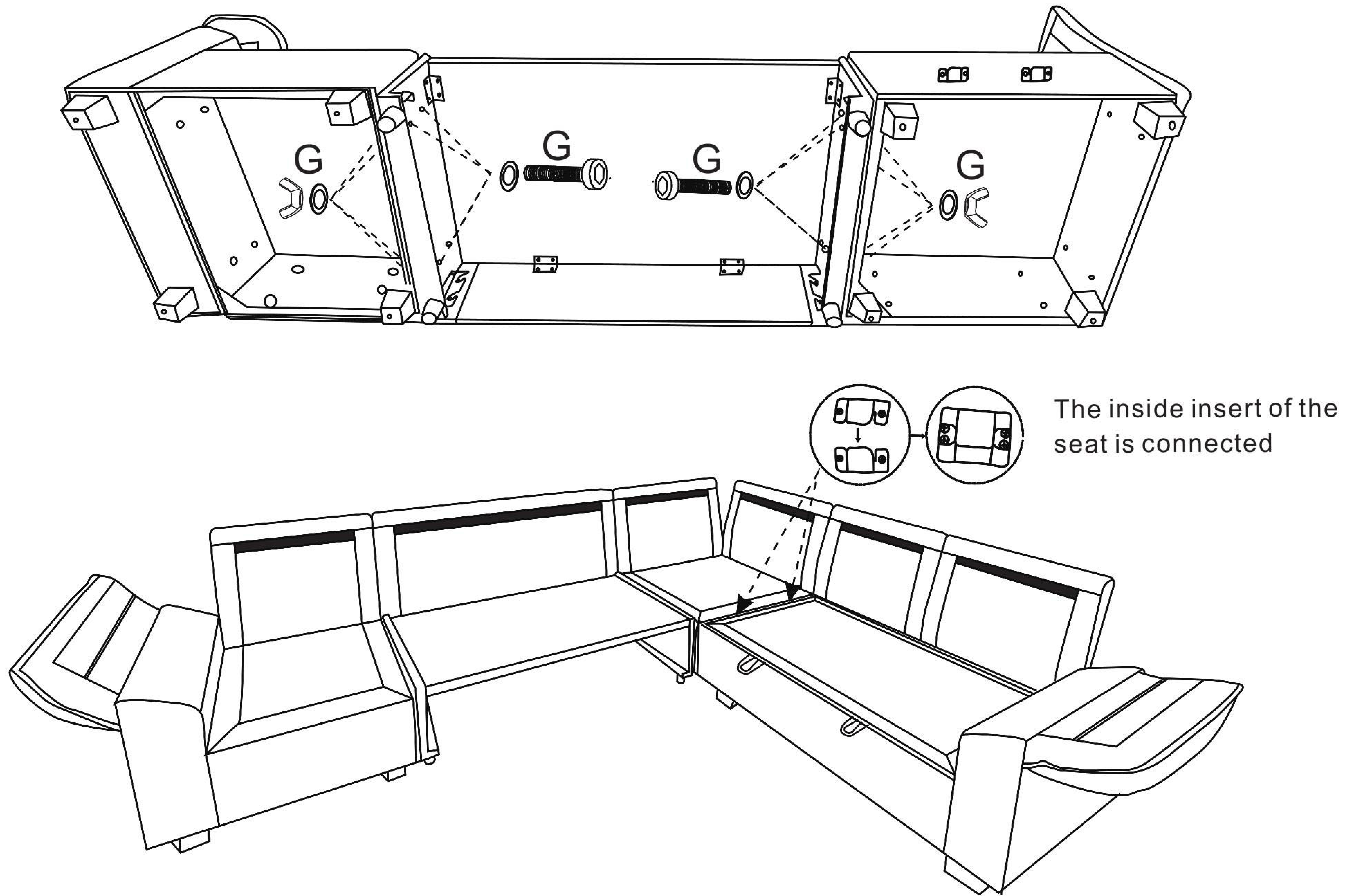
Combination Mode 2



Note: cushions are vacuum-packed and it may take approximately 72 hours to expand to their intended size and shape fully

Fixed Seat Mode

Combination Method for Model 1



Combination Method for Model 2

