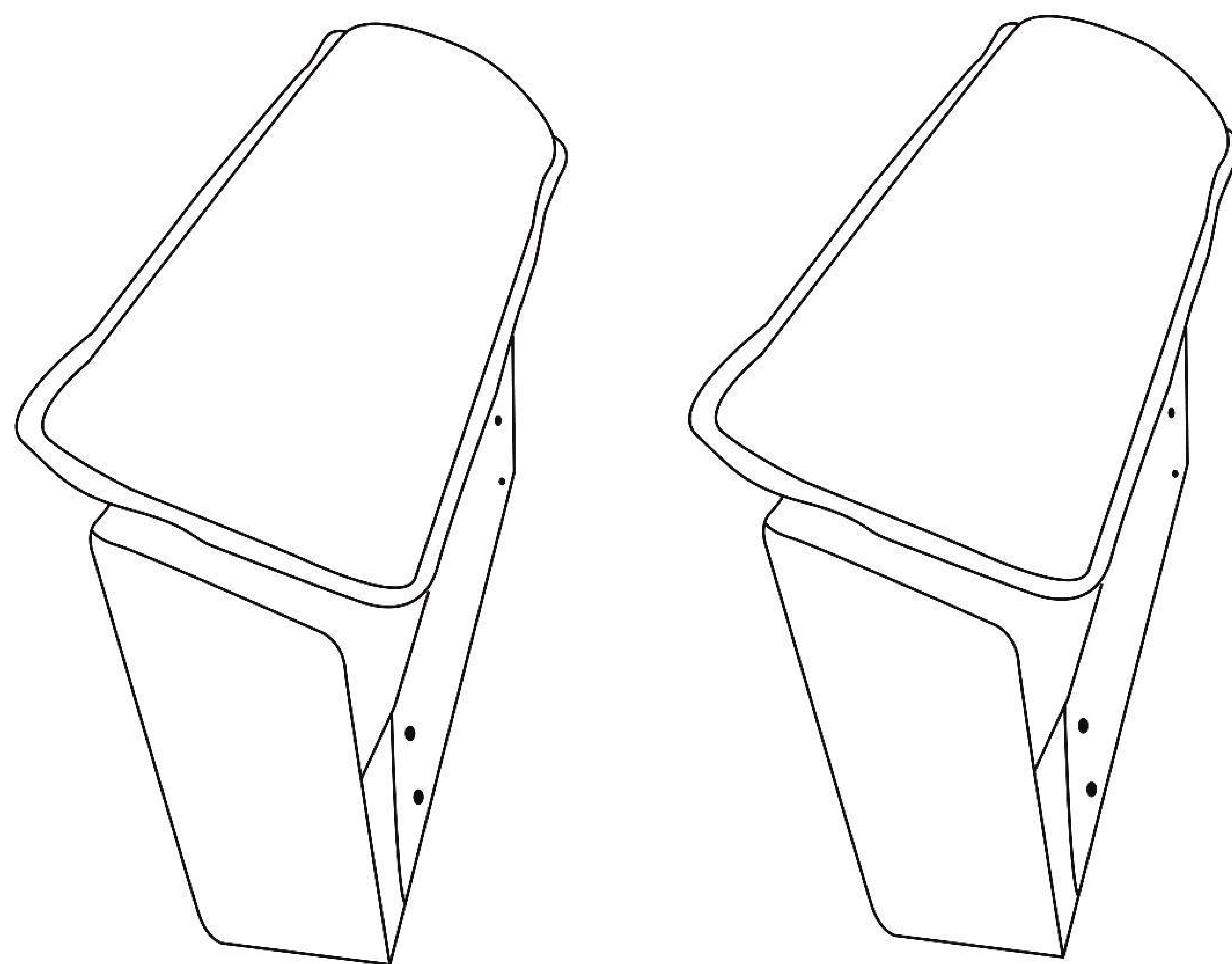


Assembly Manual

Arm Seat



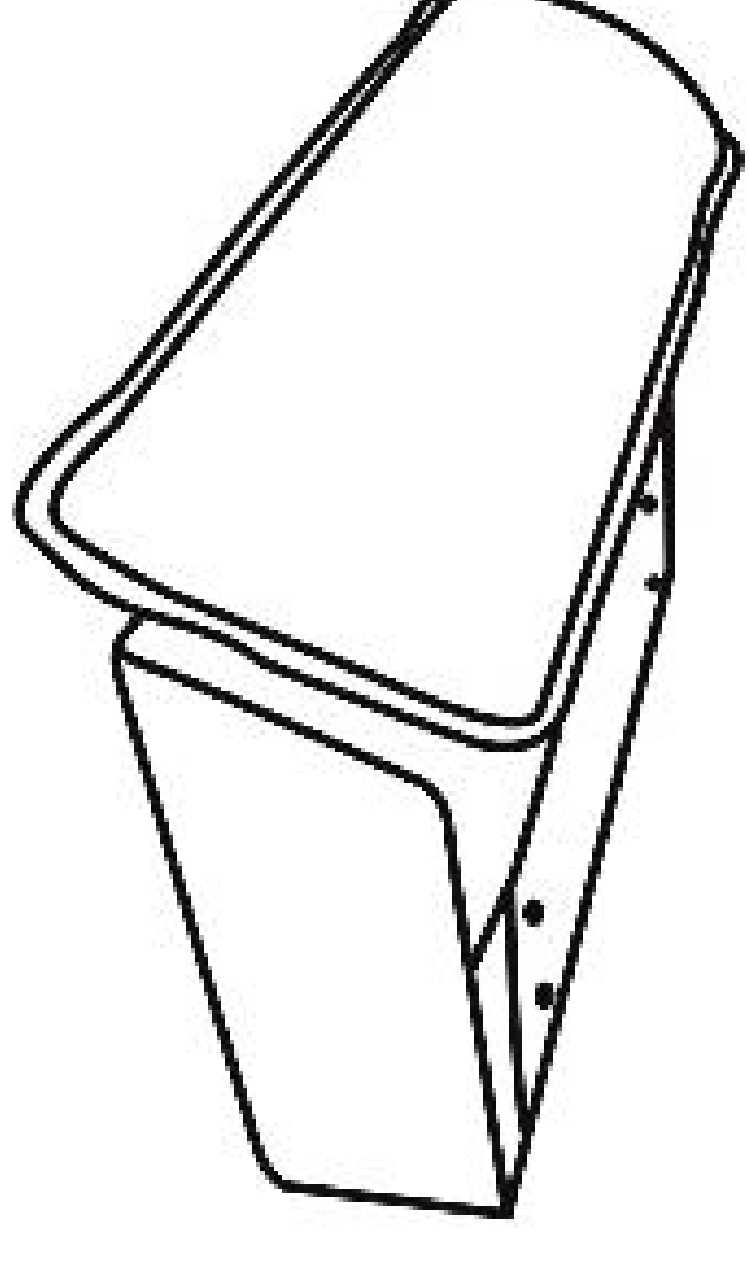
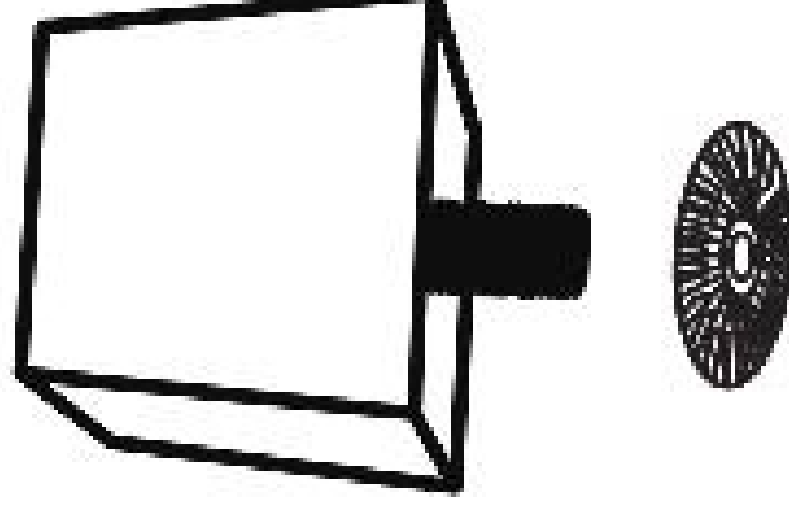
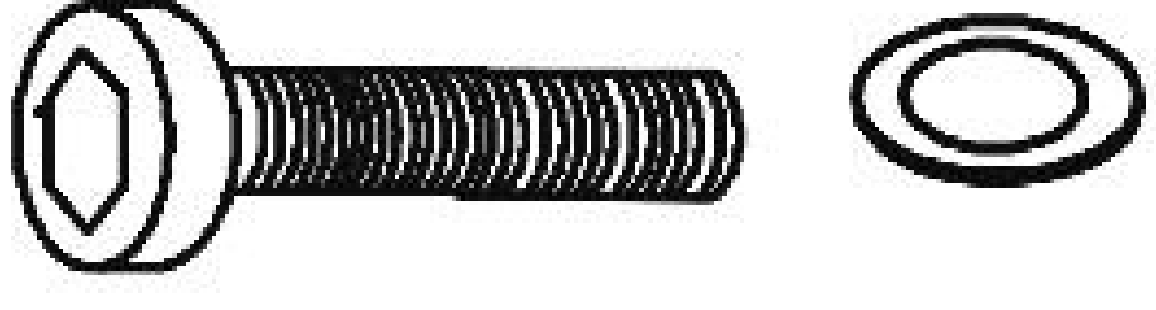

Assembly Instructions

Before Assembly

IMPORTANT NOTE:

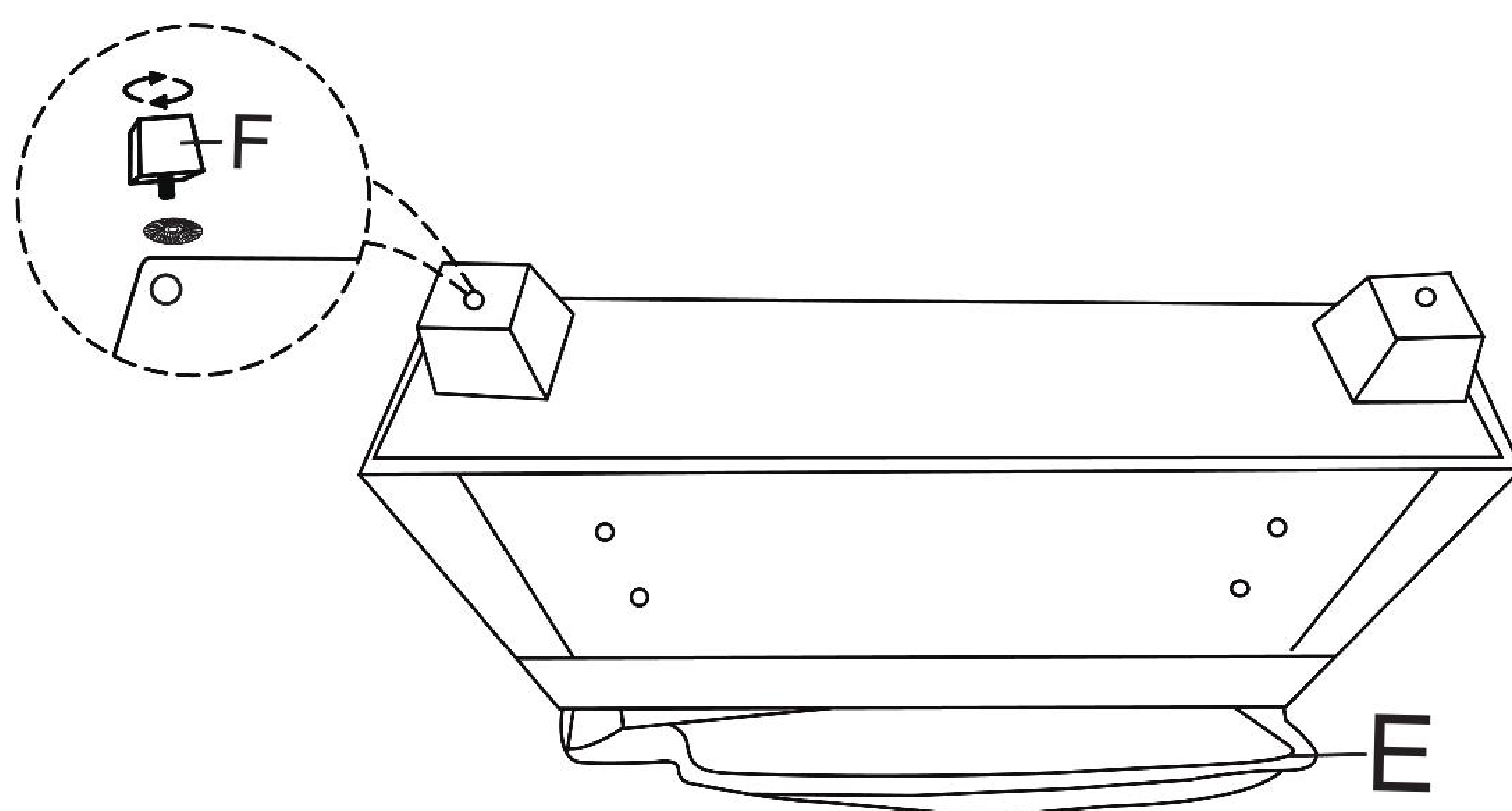
1. Make sure all parts and hardware are included and free of obvious defect before disposing of any packaging.
2. Place all wooden parts on a clean and smooth surface such as a rug or carpet to avoid the parts from being scratched.
3. Do not tighten all screws and bolts until completely assembled.
4. Assembly will require two people.

Part List

E		Arm	2
F		Foot	2
Z		Wrench	4
I		Screw	1

Single note

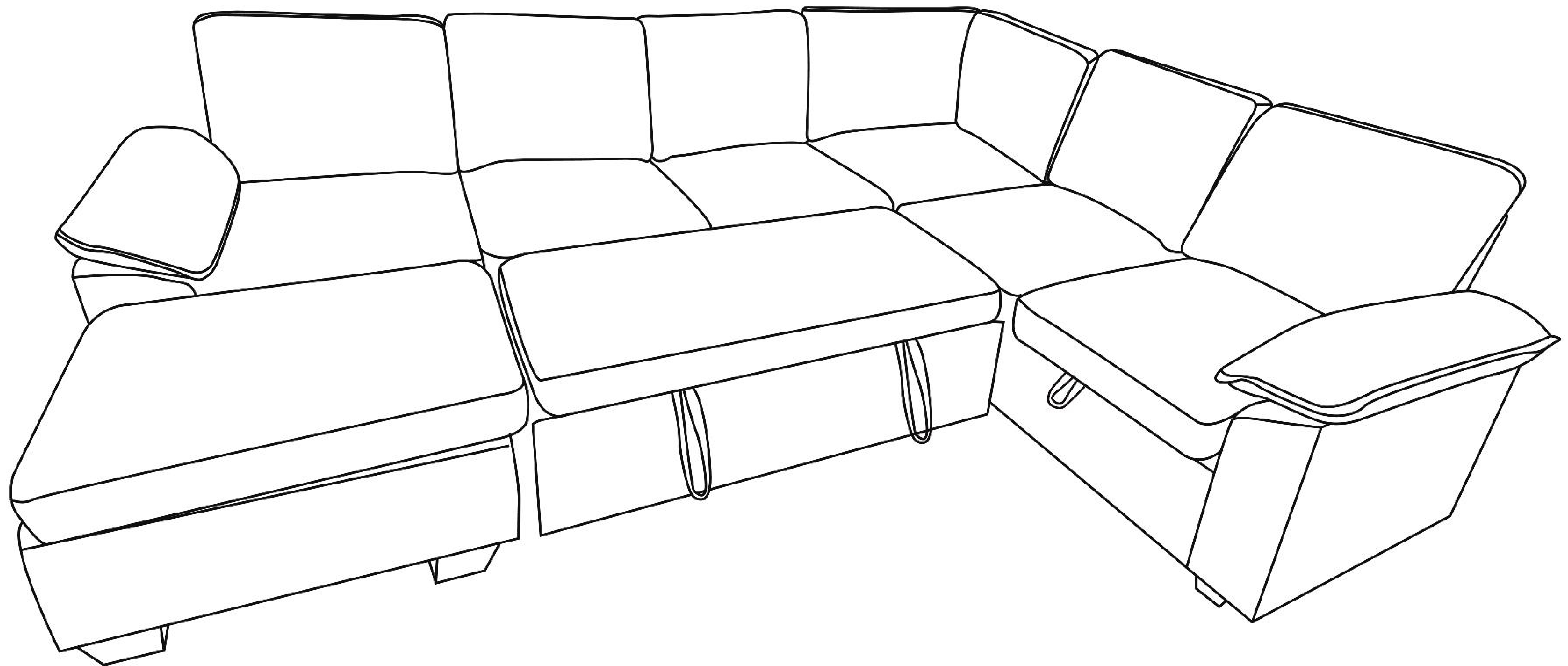
①



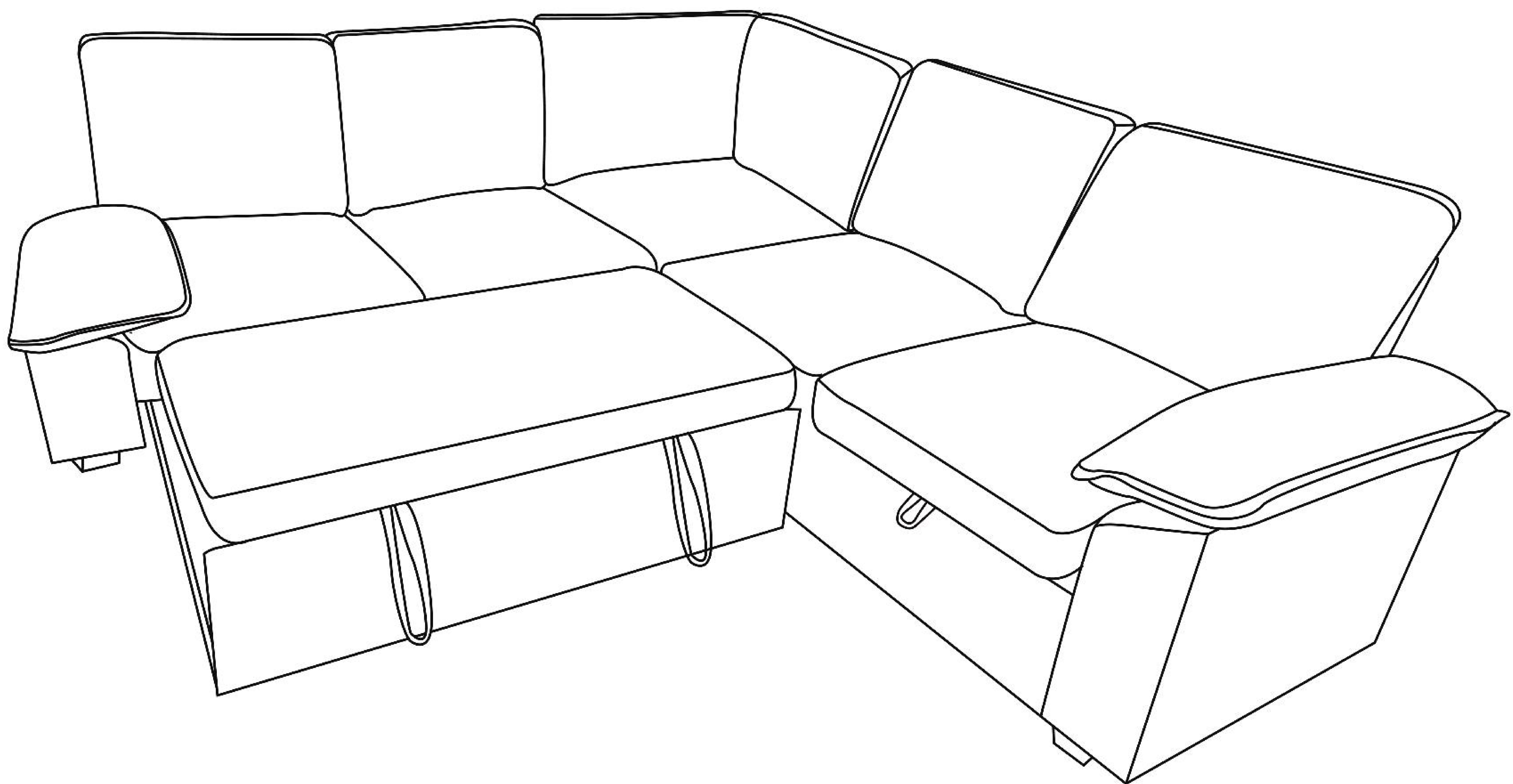
Combination Mode Display

(Please combine each part based on the mode you purchased)

Combination Mode 1



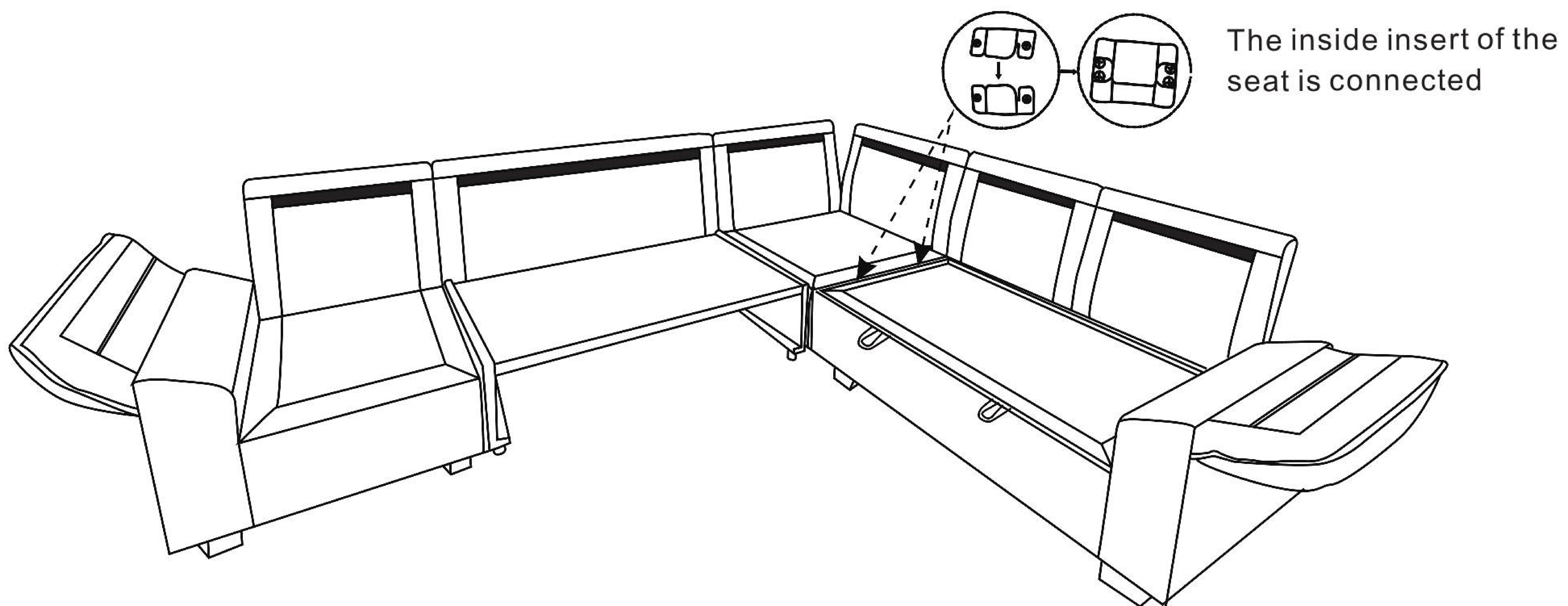
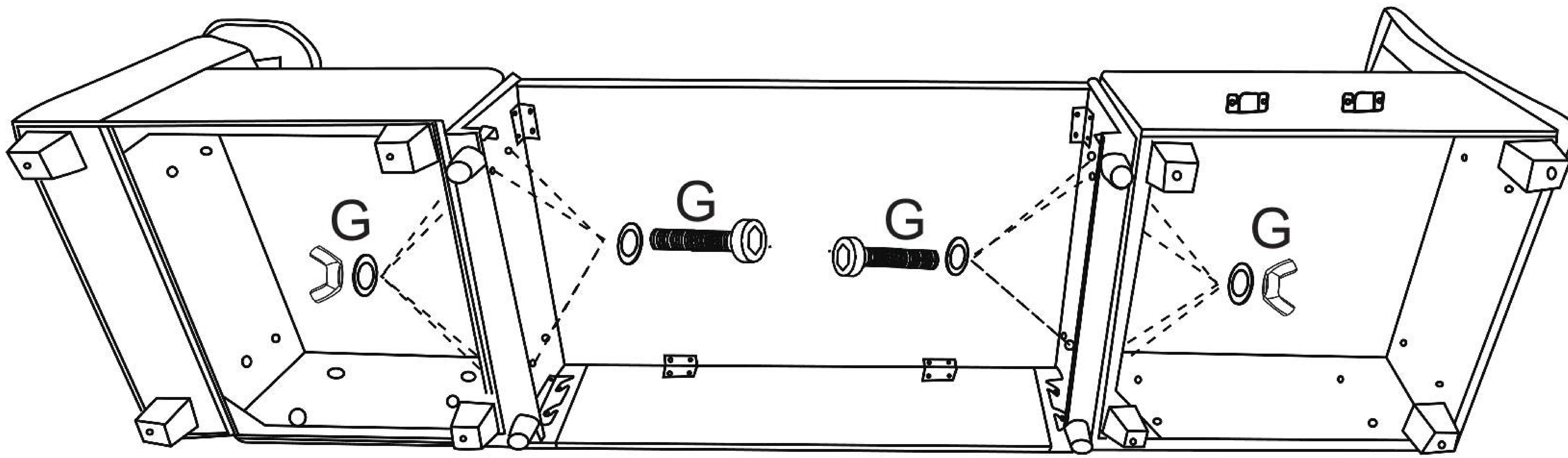
Combination Mode 2



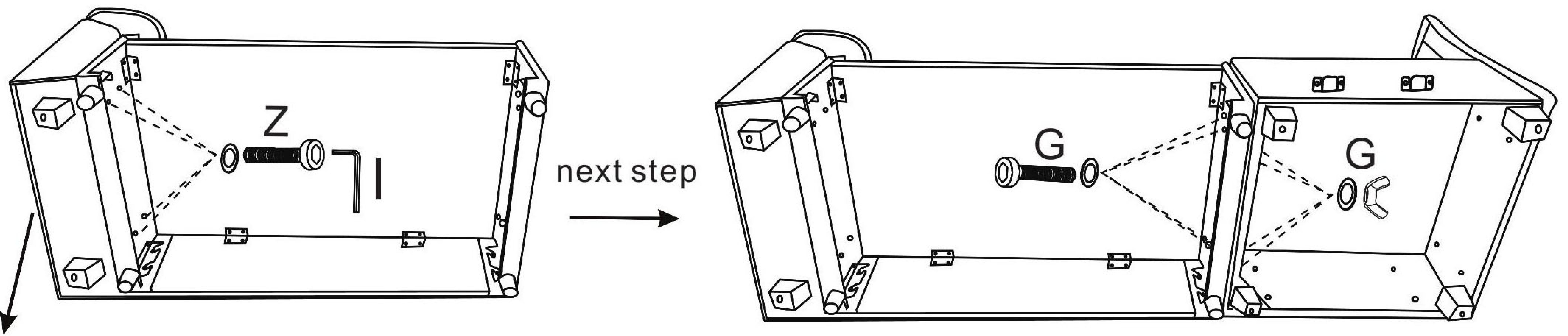
Note: Cushions are vacuum-packed & it may take approximately 72 hours to fully expand to their intended size & shape

Fixed Seat Mode

Combination Method for Model 1



Combination Method for Model 2



The armrests are packed in a separate carton.

