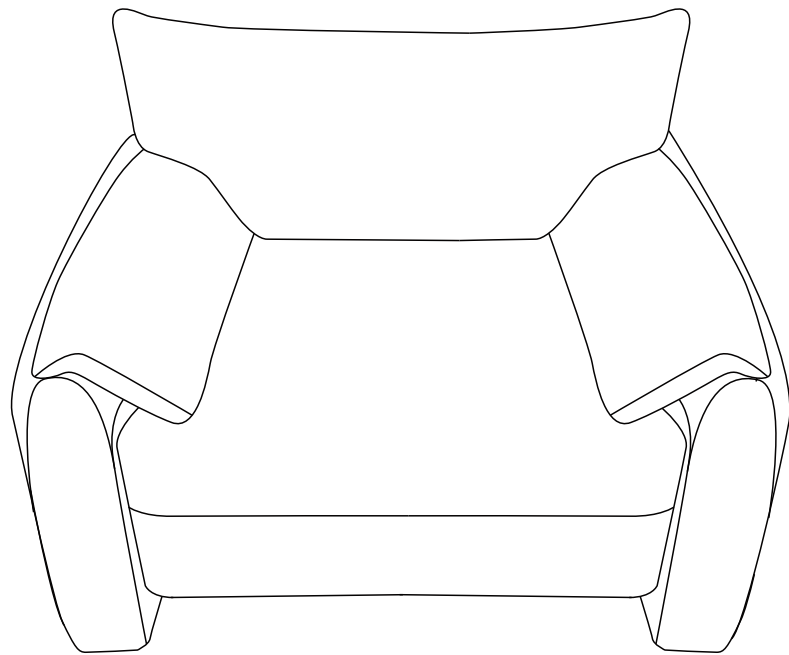


Assembly Manual

Armchair



Assembly Instructions

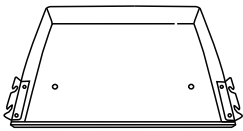
Before Assembly

IMPORTANT NOTE:

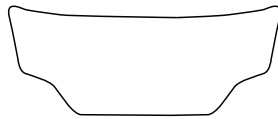
1. Make sure all parts and hardware are included and free of obvious defect before disposing of any packaging.
2. Place all wooden parts on a clean and smooth surface such as a rug or carpet to avoid the parts from being scratched.
3. Do not tighten all screws and bolts until completely assembled.
4. Assembly will require two people.

Part List

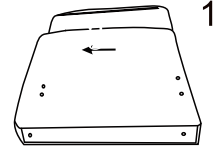
A x 1



B x 1

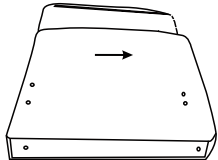


C x 1



PARTS

D x 1



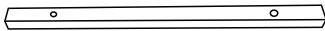
E x 1



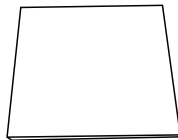
F x 1



G x 2



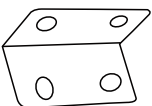
H x 1



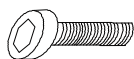
I x 4



1 x 2

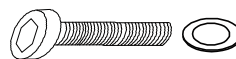


2 x 12



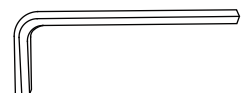
M8*20mm

3 x 4

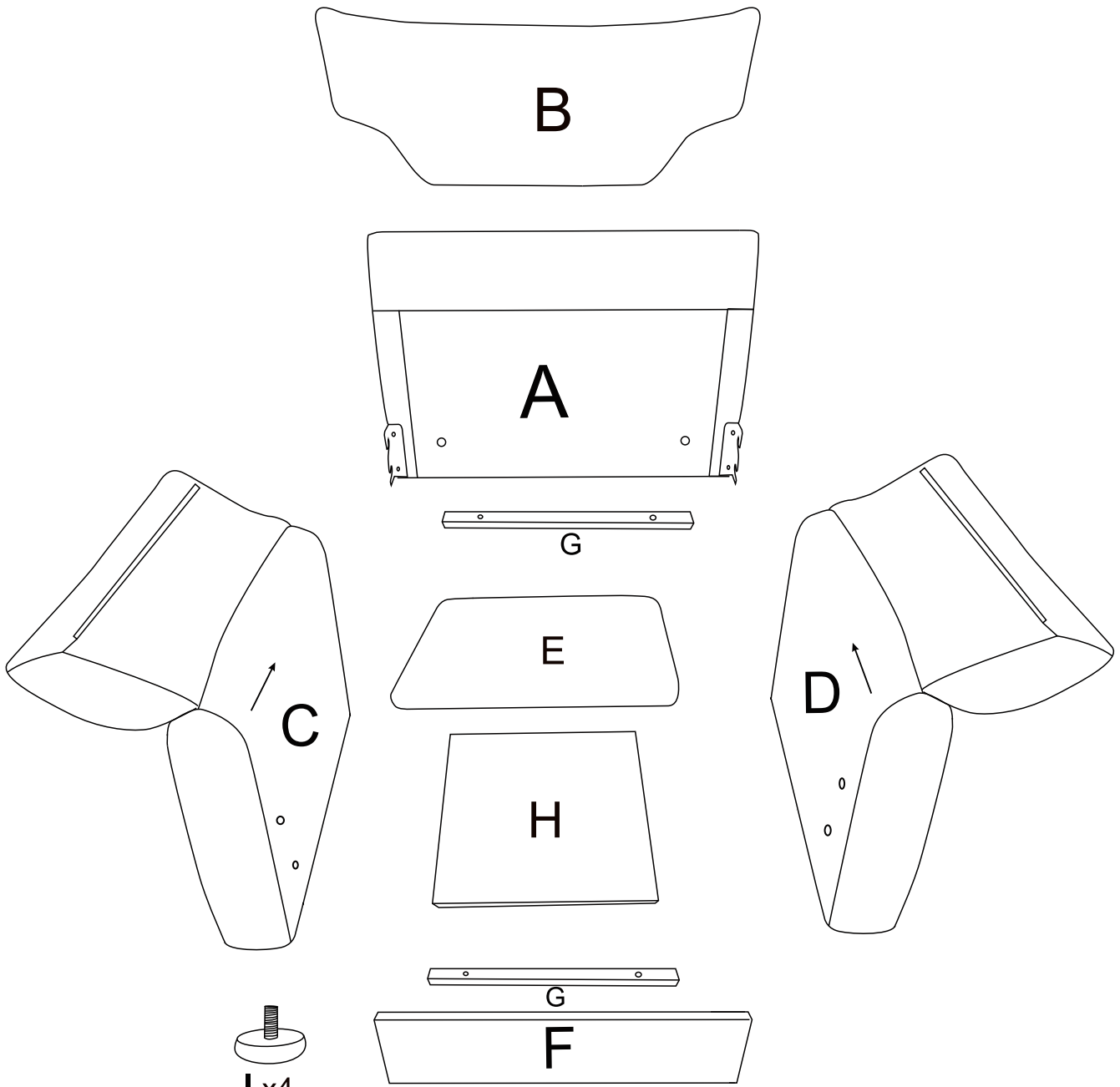


M8*50mm

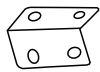
4 x 1



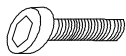
M6



I x4



① x2



② x12

M8*20mm



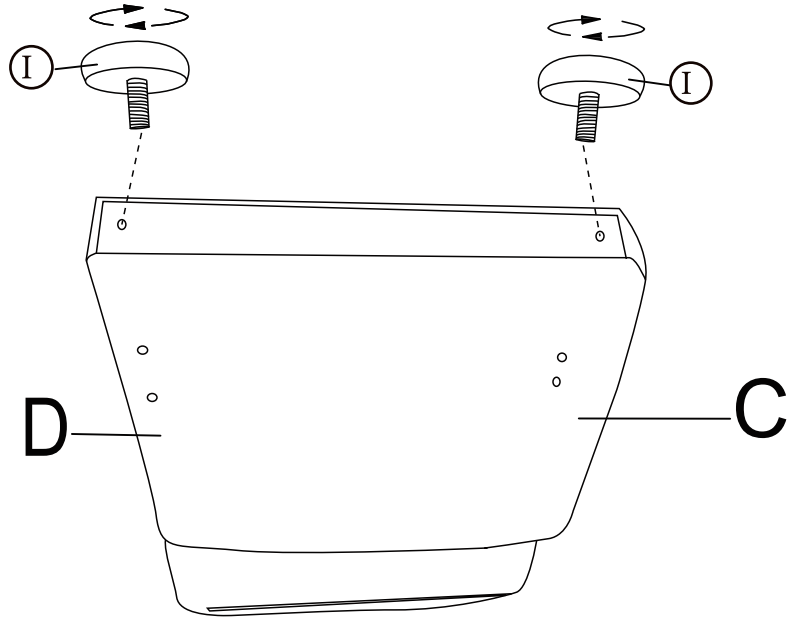
③ x4

M8*50mm

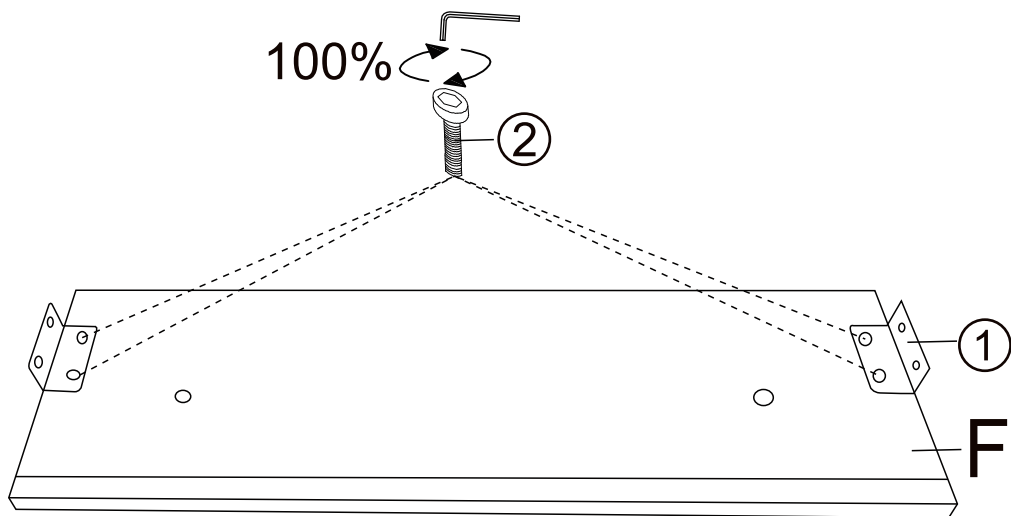


④ x1

M6

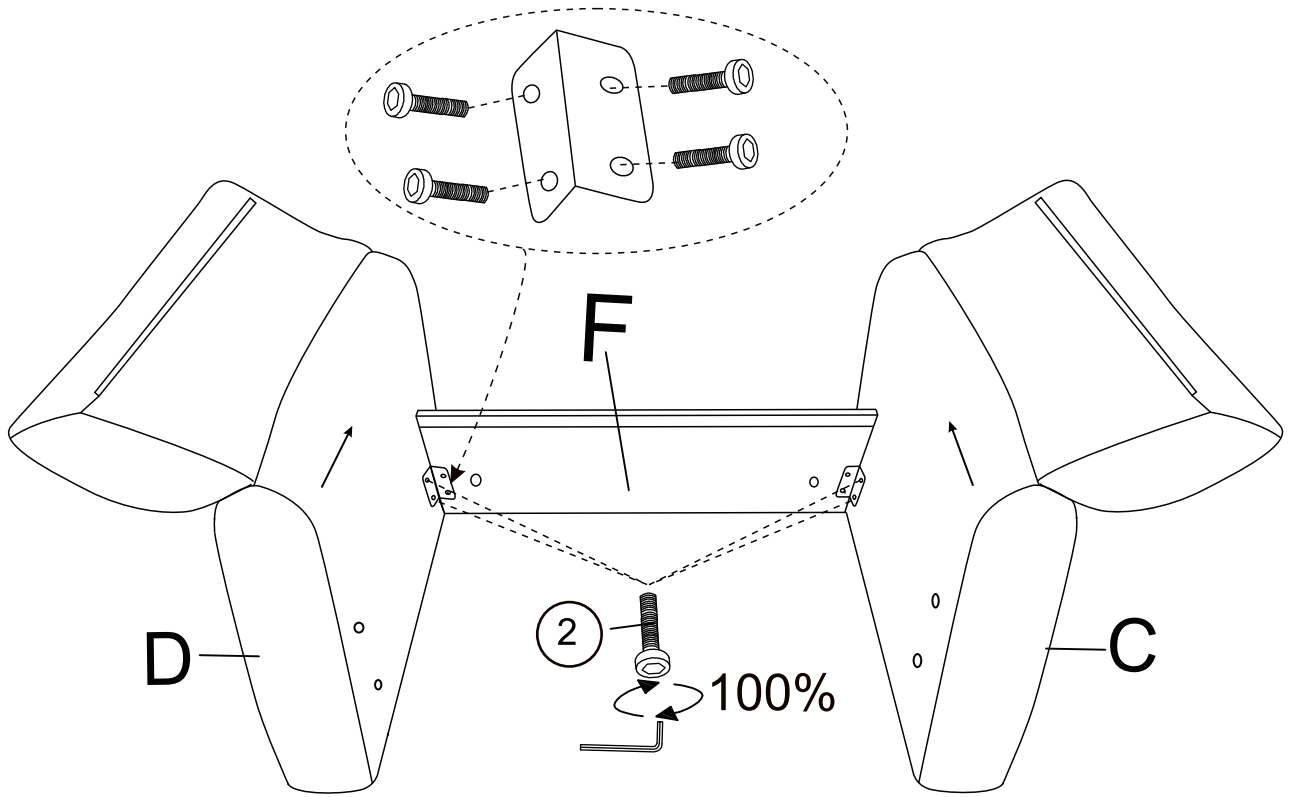


- ① x 2
- ② x 4



2 x 4

04



3 x 2

05

