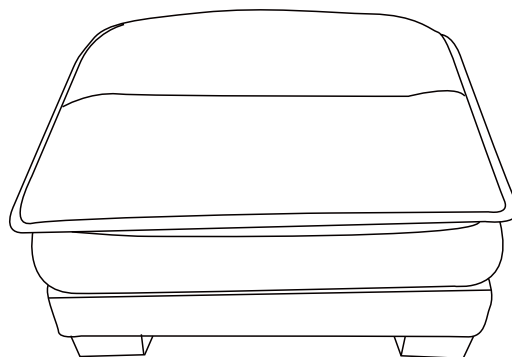
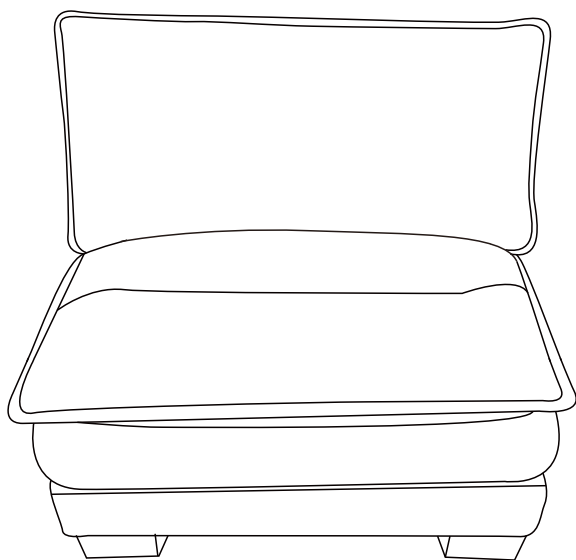


Assembly Manual

Modular Sectional Sofa



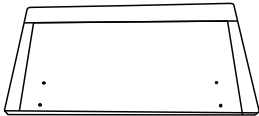
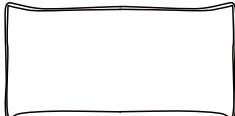
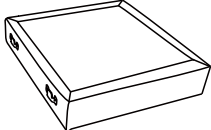
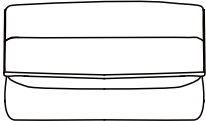
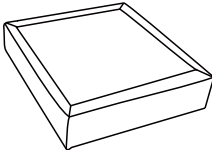
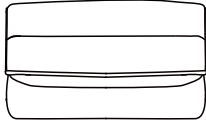
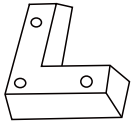
Assembly Instructions

Before Assembly

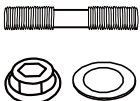
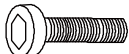
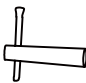

IMPORTANT NOTE:

1. Make sure all parts and hardware are included and free of obvious defect before disposing of any packaging.
2. Place all wooden parts on a clean and smooth surface such as a rug or carpet to avoid the parts from being scratched.
3. Do not tighten all screws and bolts until completely assembled.
4. Assembly will require two people.

Part List

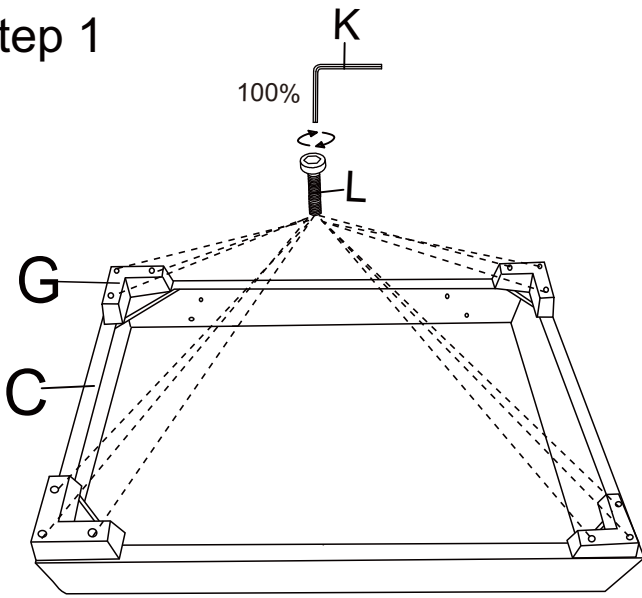
A*1	B*1	C*1	
			
D*1	E*1	F*1	G*8
			

Hardware List

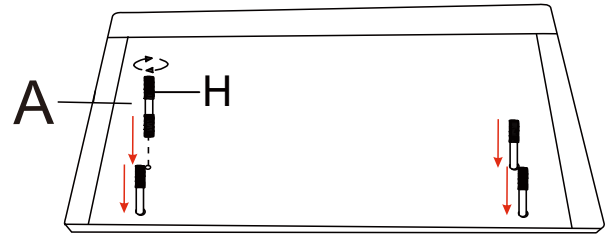
H*4	L*24	J*1	K*1	
				

Assembly Steps

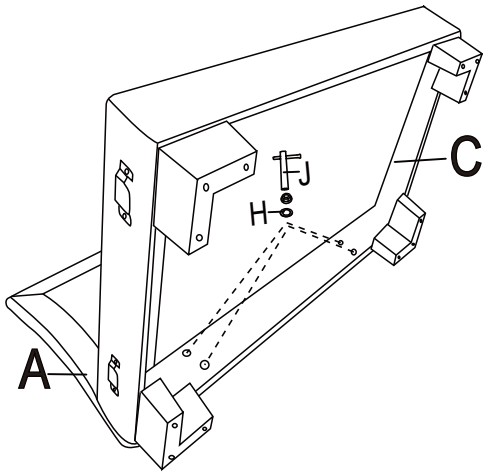
Step 1



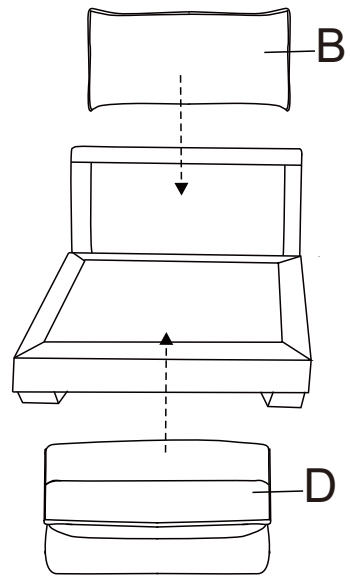
Step 2



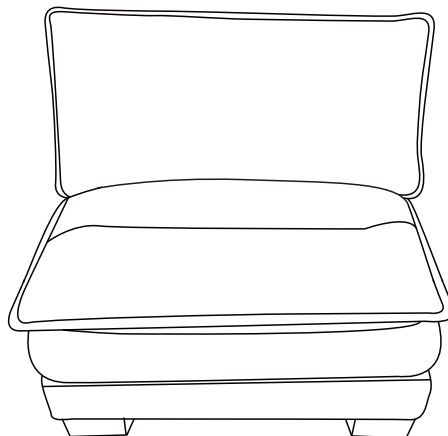
Step 3



Step 4

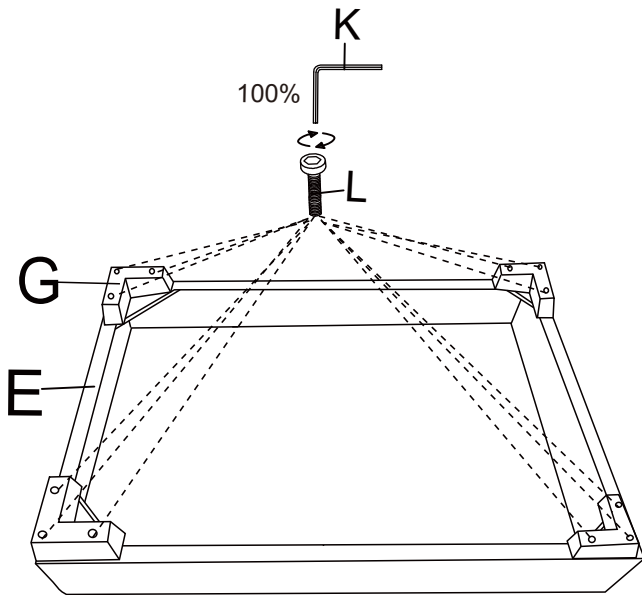


Step 5

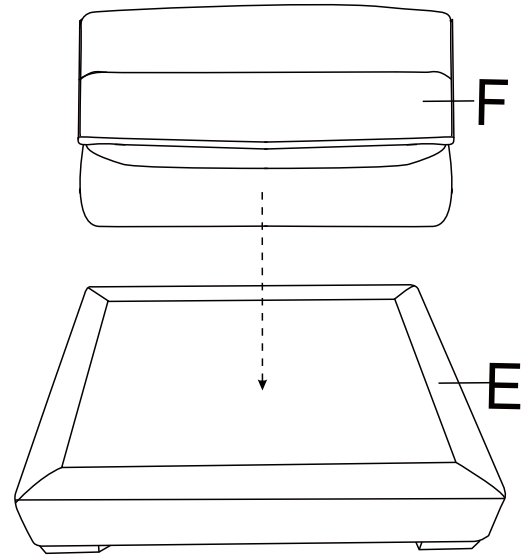


Assembly Steps

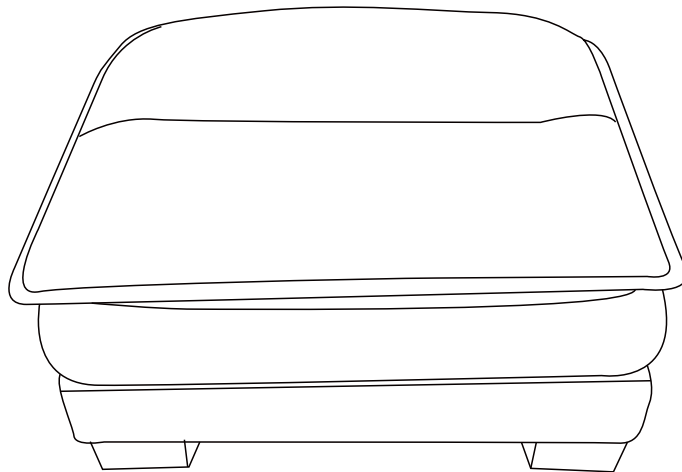
Step 6



Step 7



Step 8



Note: Cushions are vacuum-packed & it may take approximately 72 hours to fully expand to their intended size & shape

Please combine each part based on
the mode you purchased

