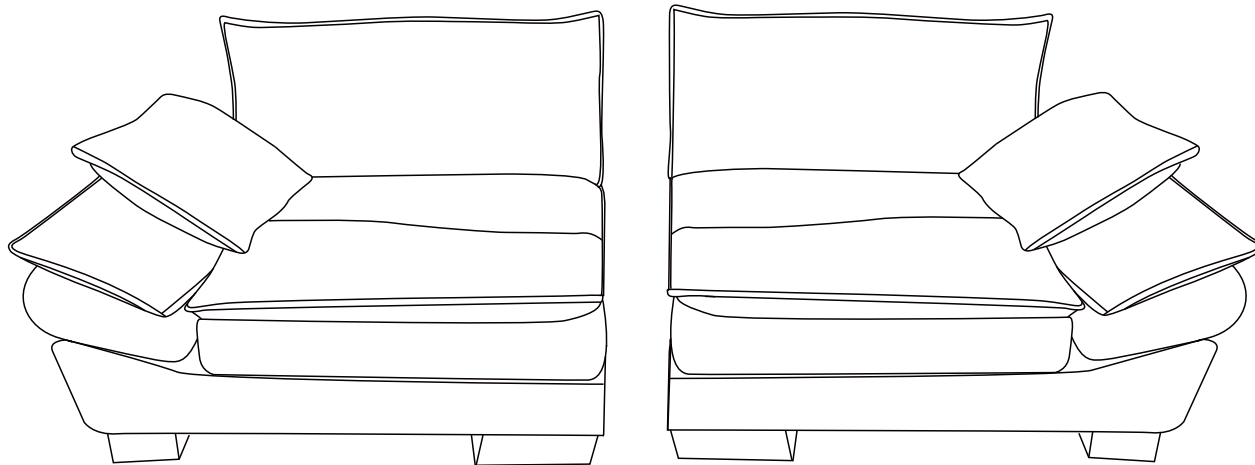


# Assembly Manual

## Modular Sectional Sofa



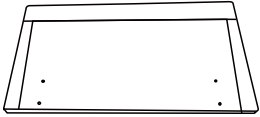
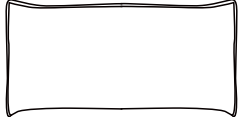
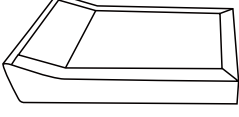
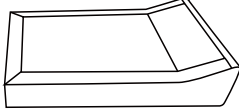
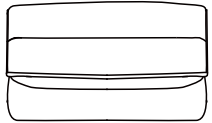
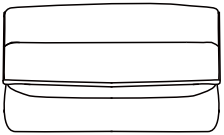

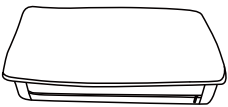
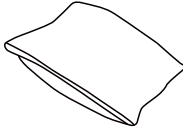
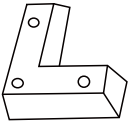
# Assembly Instructions

## Before Assembly

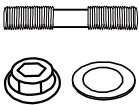
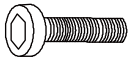
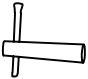

### IMPORTANT NOTE:

1. Make sure all parts and hardware are included and free of obvious defect before disposing of any packaging.
2. Place all wooden parts on a clean and smooth surface such as a rug or carpet to avoid the parts from being scratched.
3. Do not tighten all screws and bolts until completely assembled.
4. Assembly will require two people.

## Part List

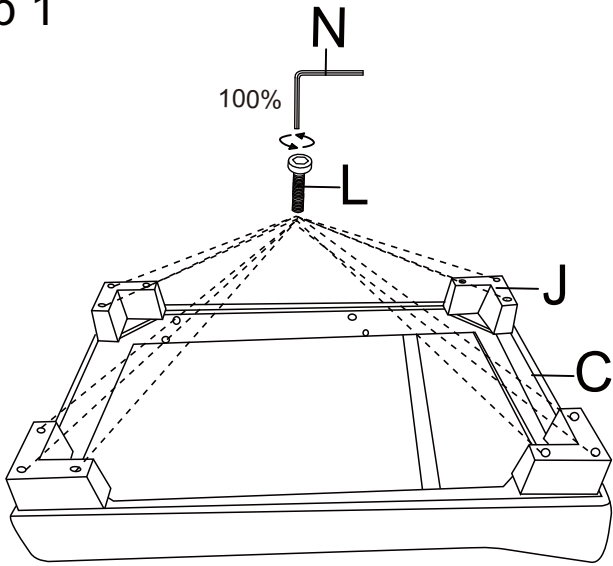
|  |   |   |  |   |
|--|---|---|--|---|
| A*2  | B*2   | C*1   | D*1  | E*1   |
|   |   |   |   |   |
| F*1  | G*1   | H*1   | I*2  | J*8   |
|  |  |  |  |  |

## Hardware List

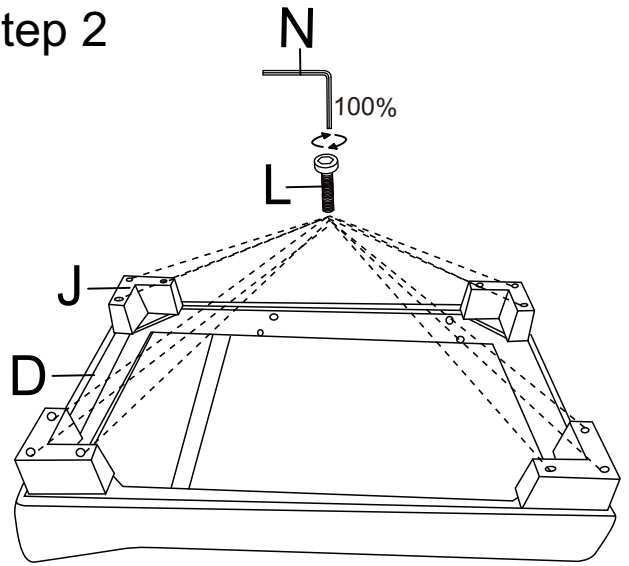
|   |   |   |   |  |
|---|---|---|---|--|
| K*8   | L*24  | M*1   | N*1   |  |
|  |  |  |  |  |

# Assembly Steps

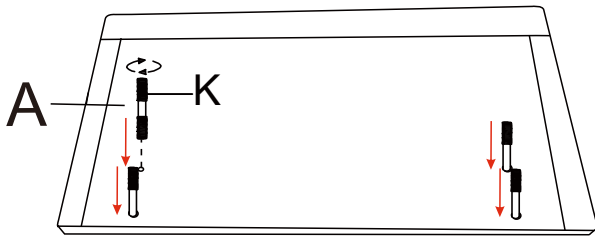
Step 1



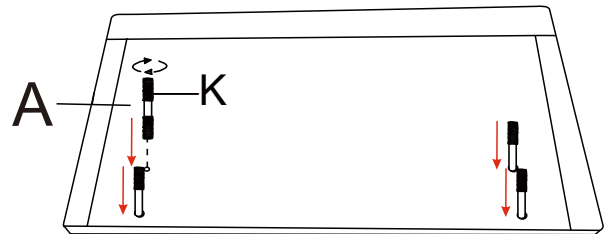
Step 2



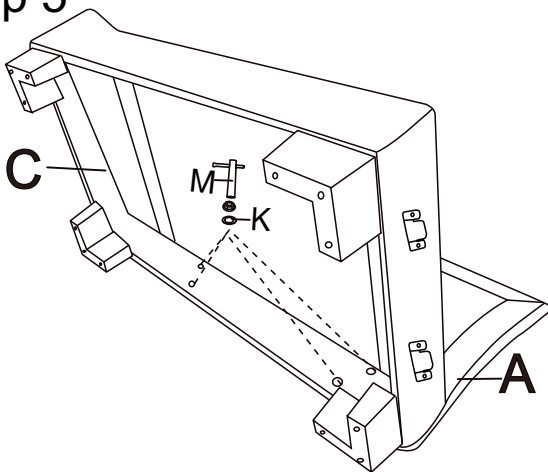
Step 3



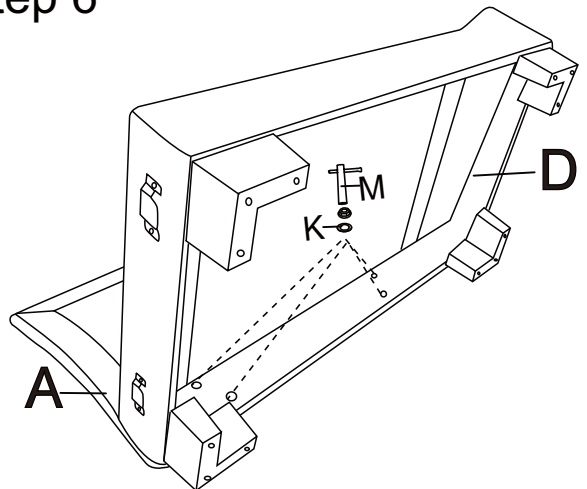
Step 4



Step 5

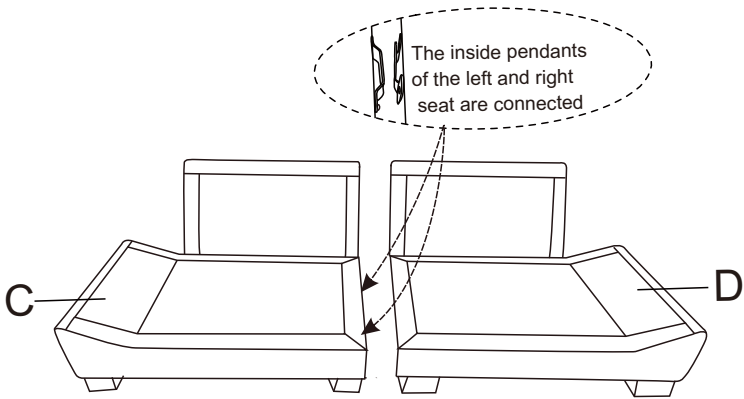


Step 6

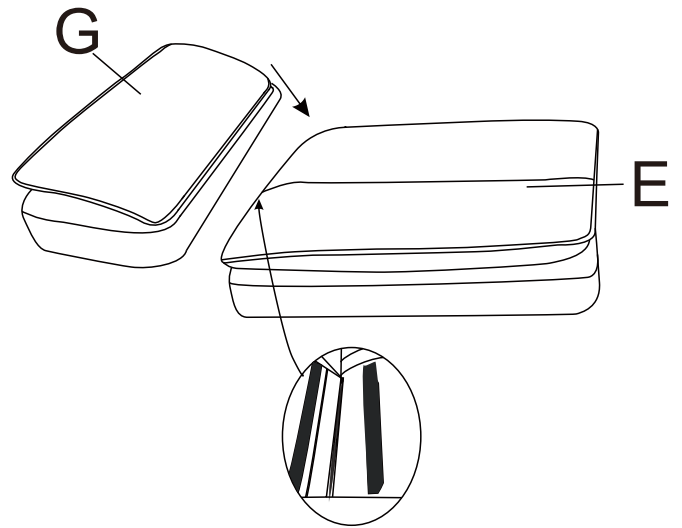


# Assembly Steps

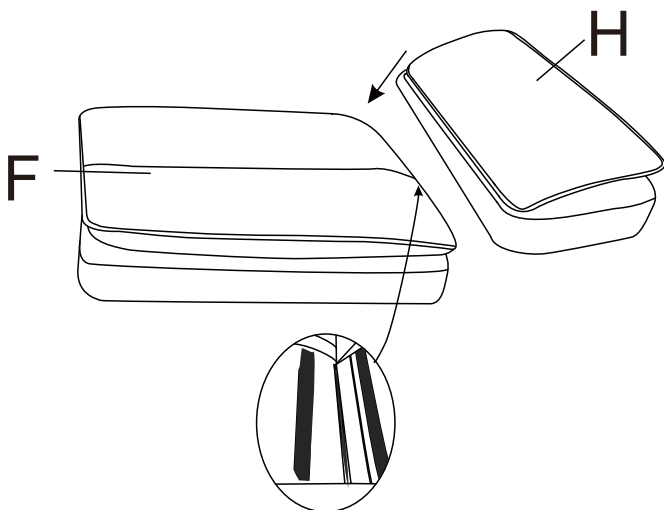
## Step 7



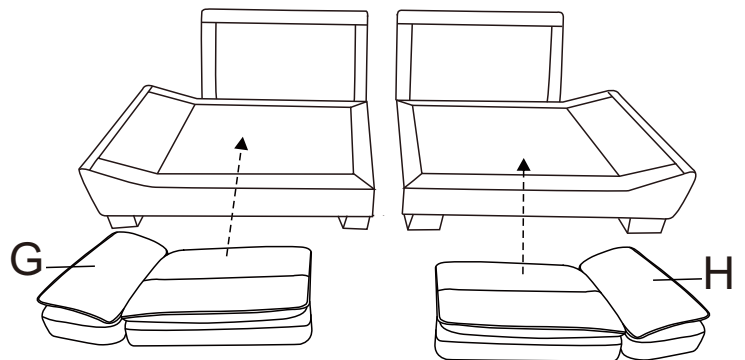
## Step 8



## Step 9

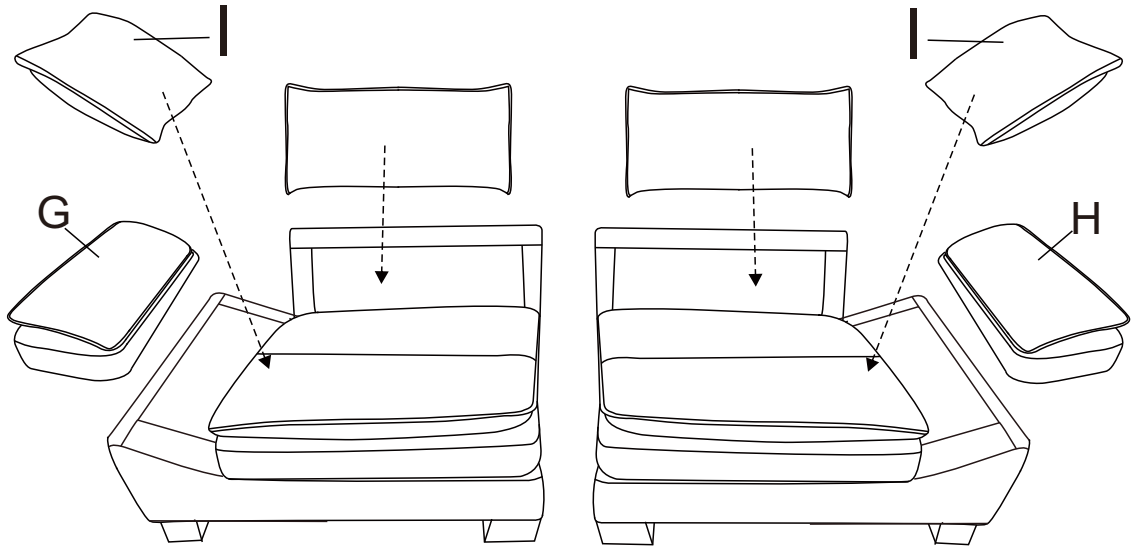


## Step 10

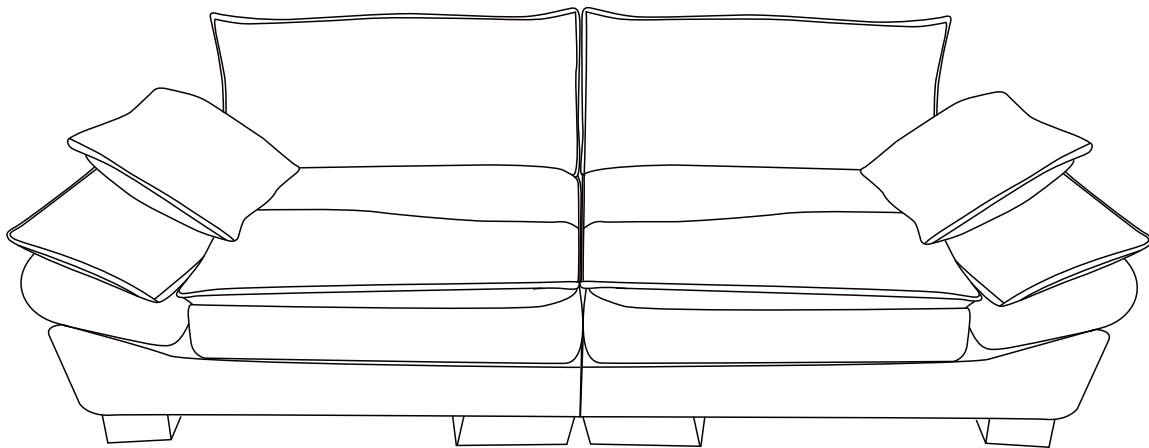


## Assembly Steps

### Step 11



### Step 12



**Note: Cushions are vacuum-packed & it may take approximately 72 hours to fully expand to their intended size & shape**

Please combine each part based on  
the mode you purchased

