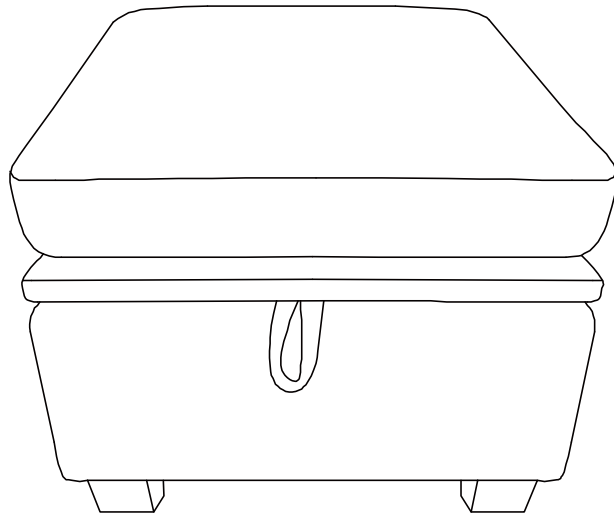


Assembly Manual

Modular Sectional Sofa

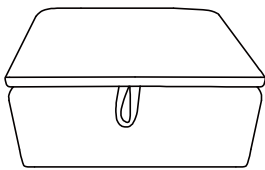


Before Assembly

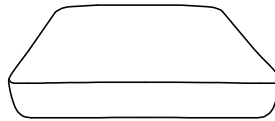
IMPORTANT NOTE:

1. Make sure all parts and hardware are included and free of obvious defect before disposing of any packaging.
2. Place all wooden parts on a clean and smooth surface such as a rug or carpet to avoid the parts from being scratched.
3. Do not tighten all screws and bolts until completely assembled.
4. Assembly will require two people.

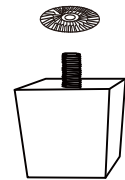
Part List



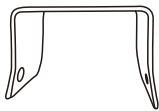
Sofa ①*1



Cushion ④*1



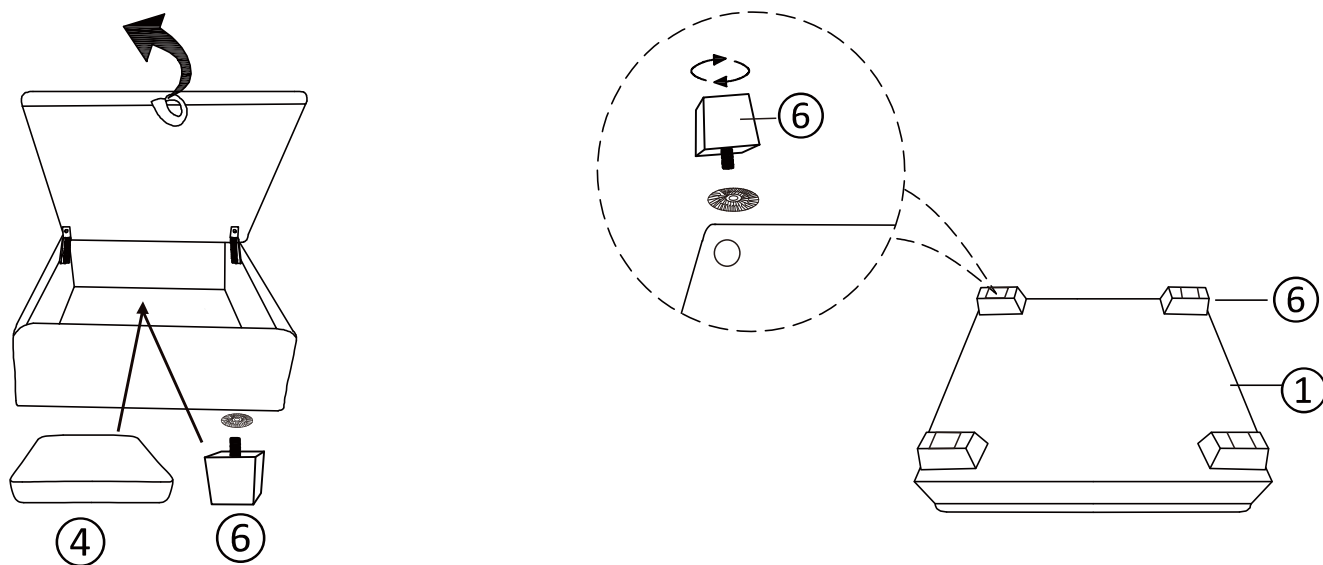
Feet/Feet Pad ⑥*4



Connector ③*1

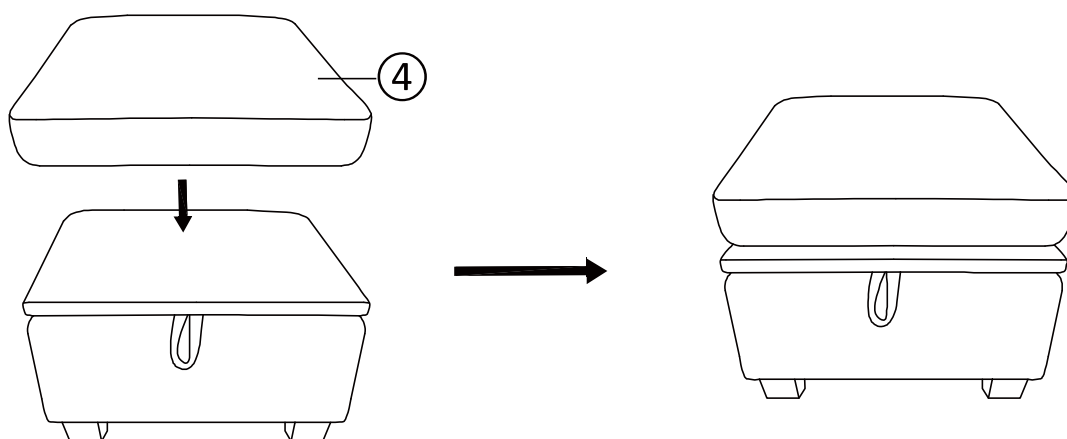
Step 1

Please open the storage cover of the sofa,
Please install the sofa legs properly

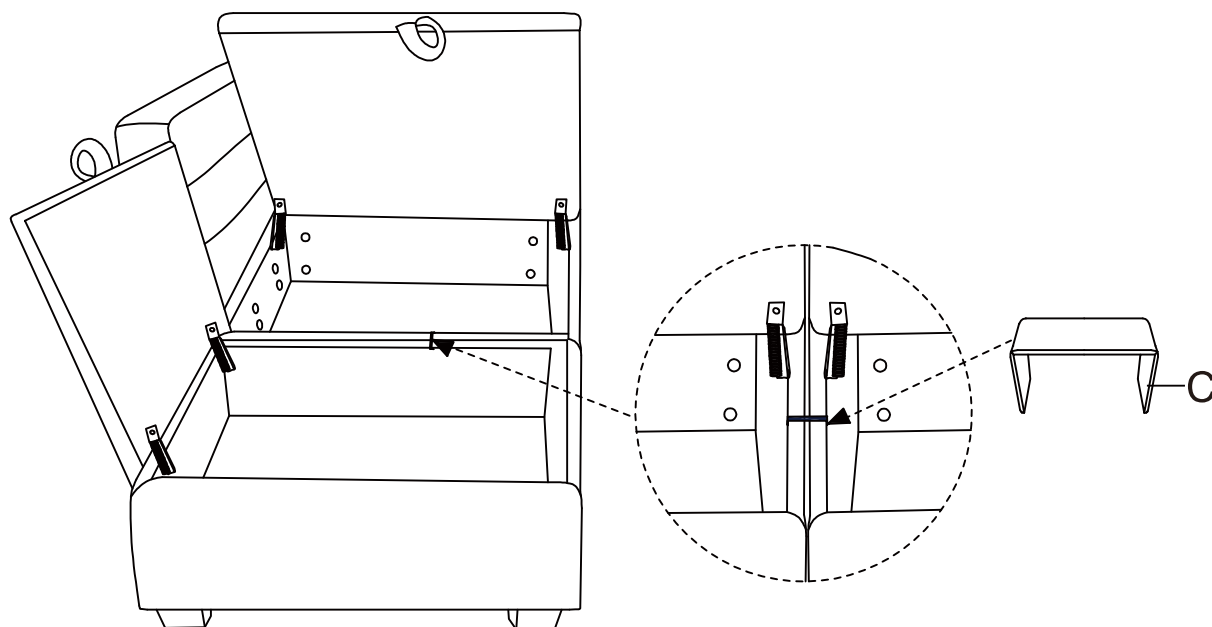


Step 2

Place the cushion on the sofa



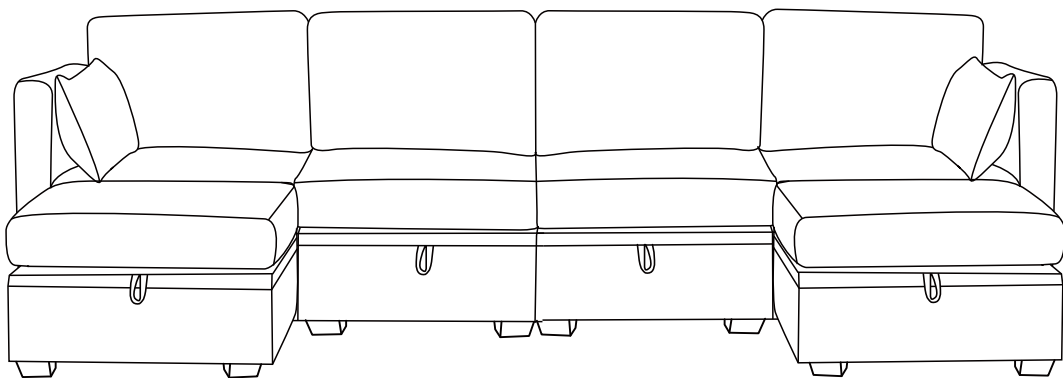
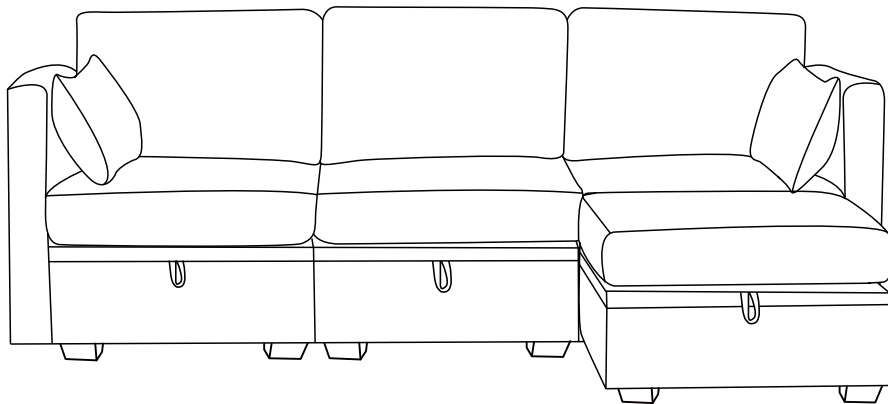
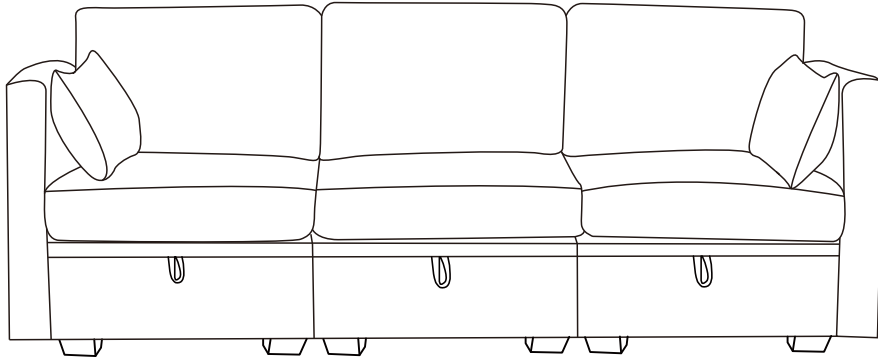
Please install according to the combination method purchased



Fix the assembled sofa together with 1 connectors,
and then place the seat cushion and backrest on top

Assembly Instruction

Please install according to the combination method purchased



Note: Cushions are vacuum-packed & it may take approximately 72 hours to fully expand to their intended size & shape