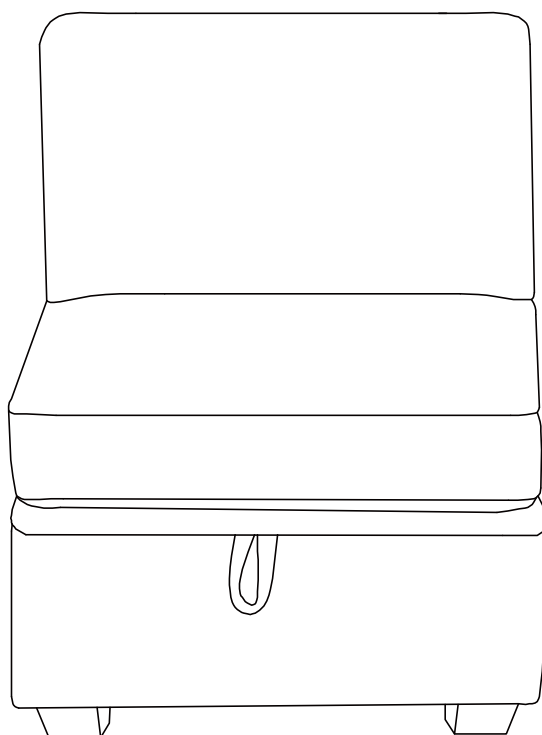


Assembly Manual

Modular Sectional Sofa



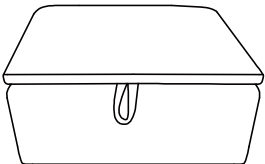
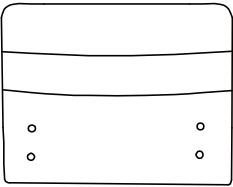


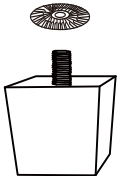

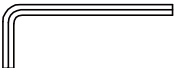

Components List-Module A

Before Assembly

IMPORTANT NOTE:

1. Make sure all parts and hardware are included and free of obvious defect before disposing of any packaging.
2. Place all wooden parts on a clean and smooth surface such as a rug or carpet to avoid the parts from being scratched.
3. Do not tighten all screws and bolts until completely assembled.
4. Assembly will require two people.

Part List

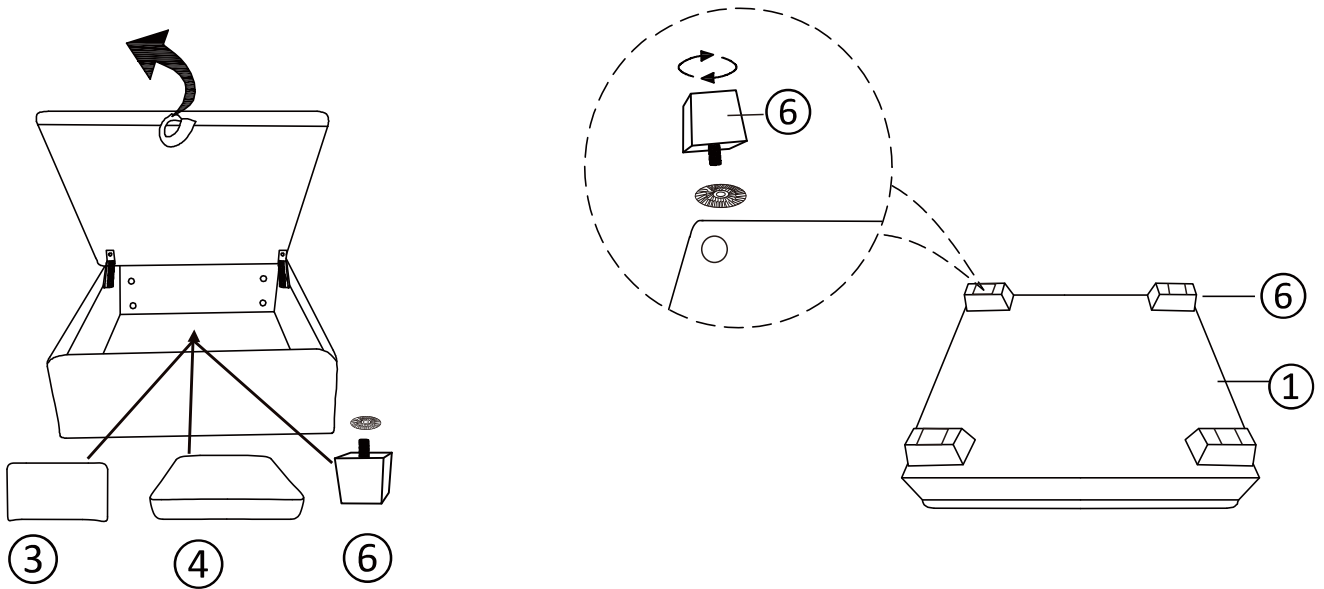
 Sofa ①*1	 Back ②*1	 Backrest ③*1
 Cushion ④*1	 Feet/Foot Pad ⑥*4	 M8*55mm ⑤*4
 Spanner ⑦*1	 Connector ⑧*1	

Hardware spare list

 M8*55mm ⑨*1	
--	--

Step 1

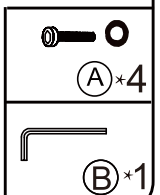
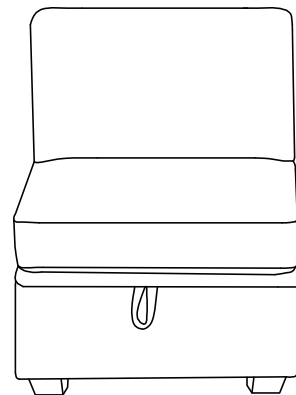
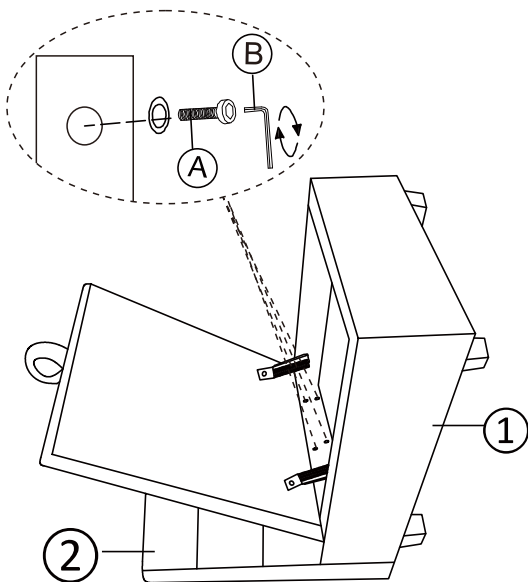
Please open the storage cover of the sofa
Please install the sofa legs properly



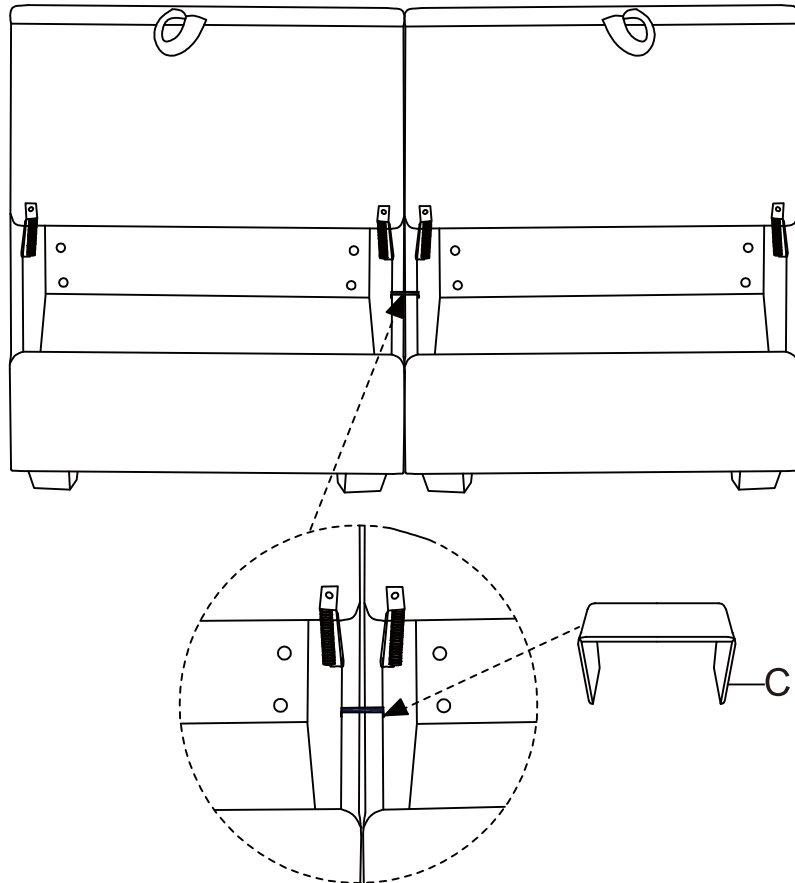
Step 2

Please open the storage cover of the sofa and
install the back frame

②



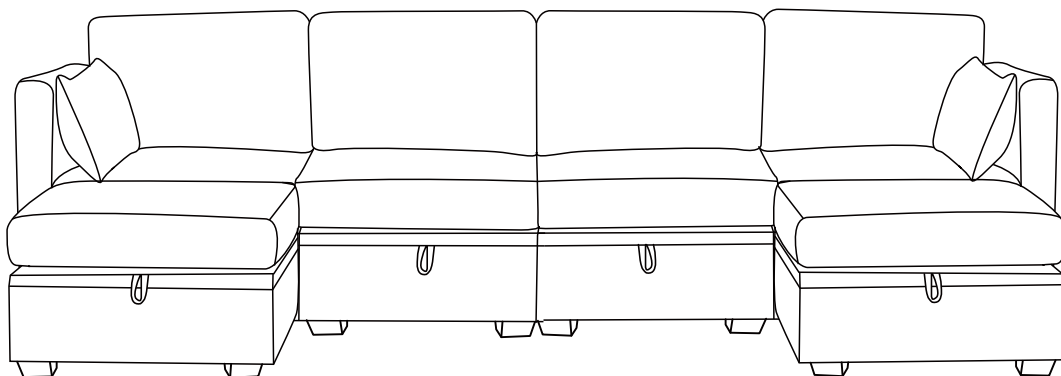
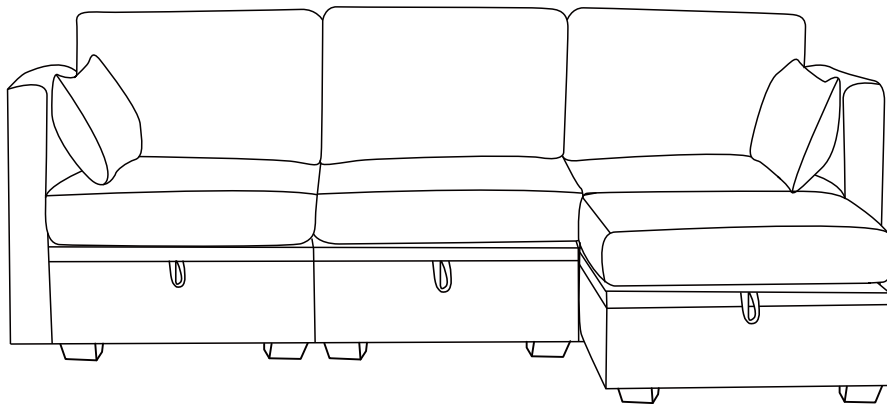
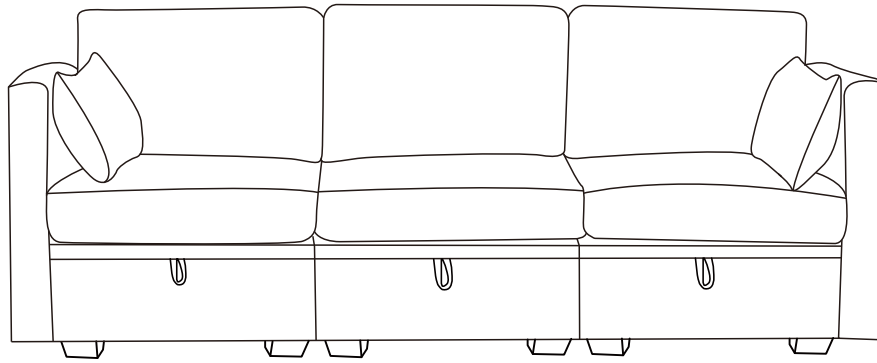
Please install according to the combination method purchased



Fix the assembled sofa together with 1 connectors,
and then place the seat cushion and backrest on top

Assembly Instruction

Please install according to the combination method purchased



Note: Cushions are vacuum-packed & it may take approximately 72 hours to fully expand to their intended size & shape