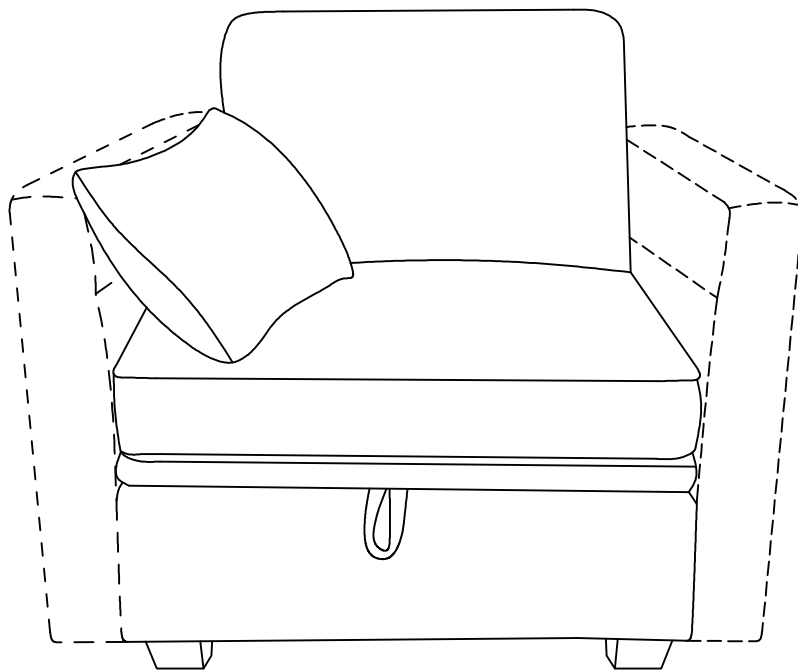


Assembly Manual

Modular Sectional Sofa

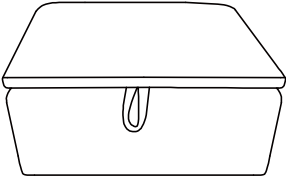
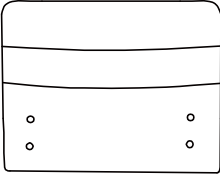
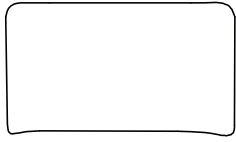
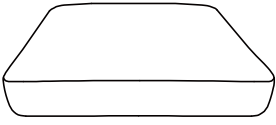
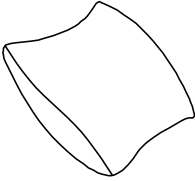
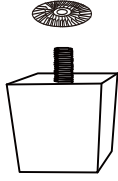

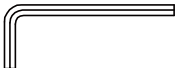
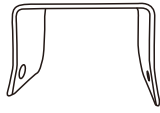


Before Assembly

IMPORTANT NOTE:

1. Make sure all parts and hardware are included and free of obvious defect before disposing of any packaging.
2. Place all wooden parts on a clean and smooth surface such as a rug or carpet to avoid the parts from being scratched.
3. Do not tighten all screws and bolts until completely assembled.
4. Assembly will require two people.

Part List

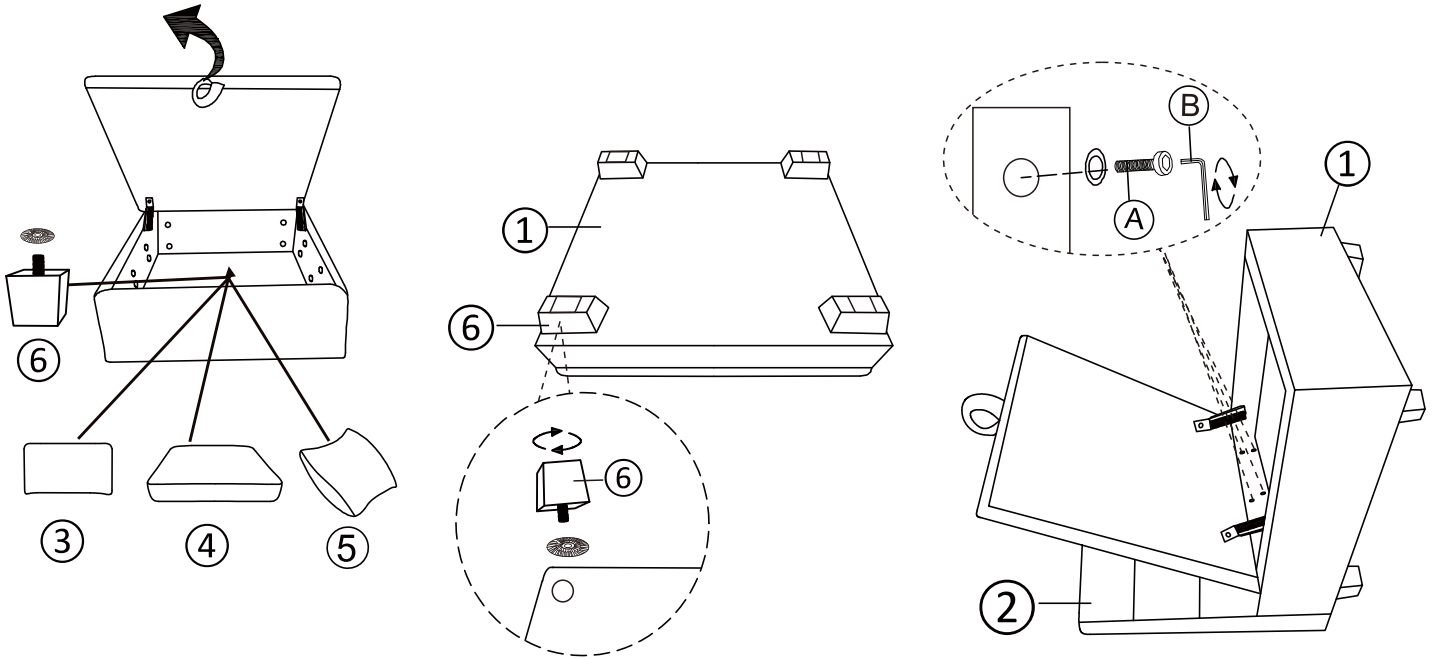
 <p>Sofa ① * 1</p>	 <p>Arm/Back ② * 2</p>	 <p>Backrest ③ * 1</p>
 <p>Cushion ④ * 1</p>	 <p>Pillow ⑤ * 1</p>	 <p>Feet/Foot Pad ⑥ * 4</p>
 <p>M8*55mm ⑦ * 8</p>	 <p>Spanner ⑧ * 1</p>	 <p>Connector ⑨ * 1</p>

Hardware spare list

 <p>M8*55mm ⑦ * 1</p>	
--	--

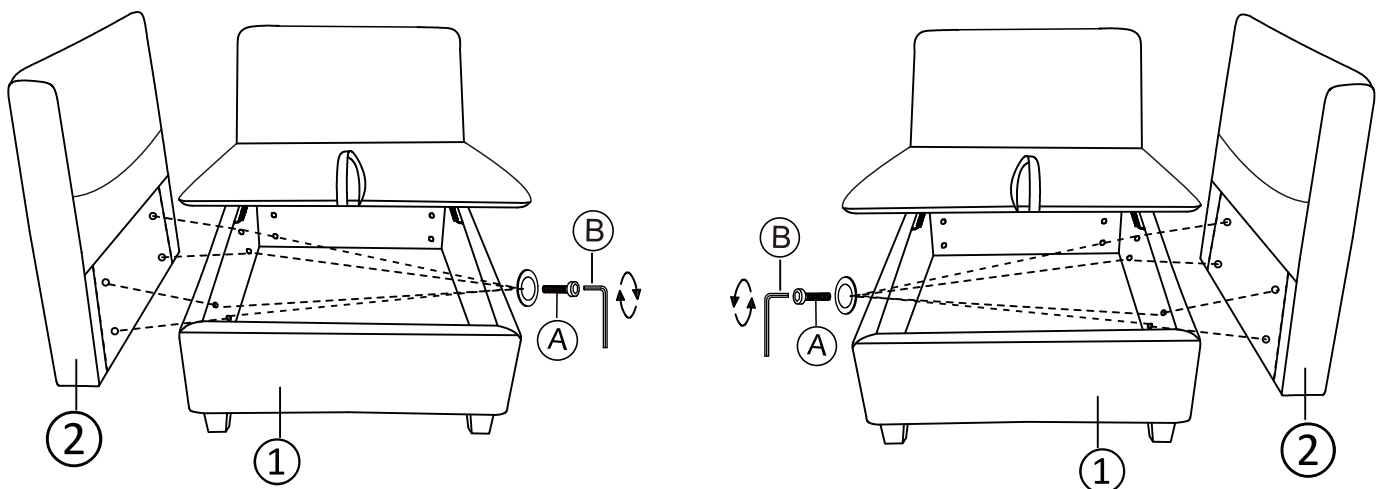
Step 1

Please open the storage cover of the sofa
Please install the sofa legs properly

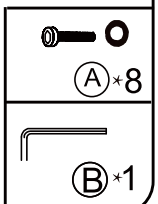


Step 2

Please open the storage cover of the sofa and
install the back frame before installing the armrest

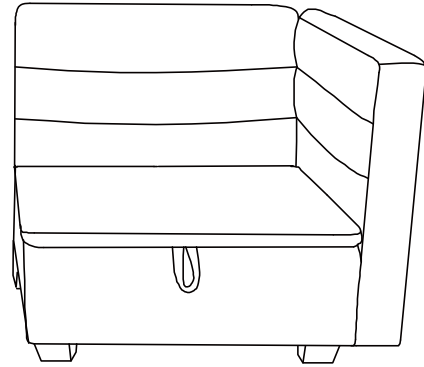
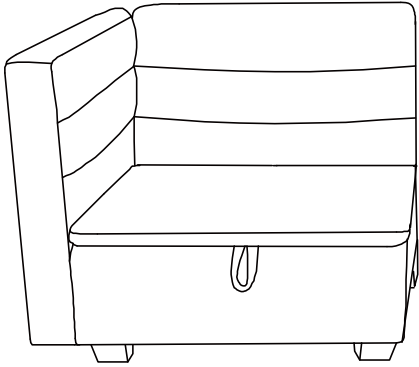


Armrest universal left and right



Step 3

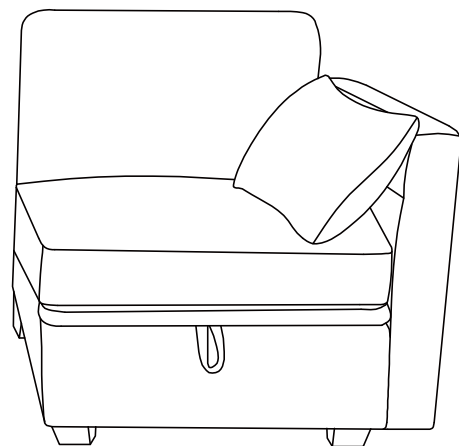
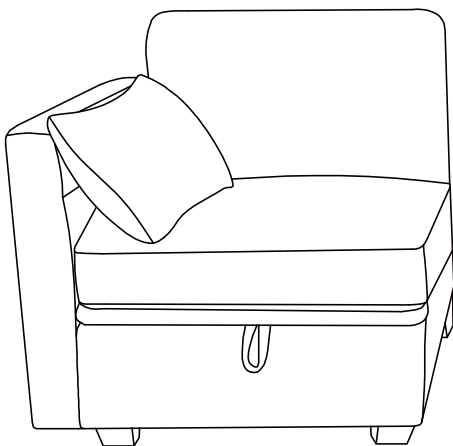
Please straighten the sofa



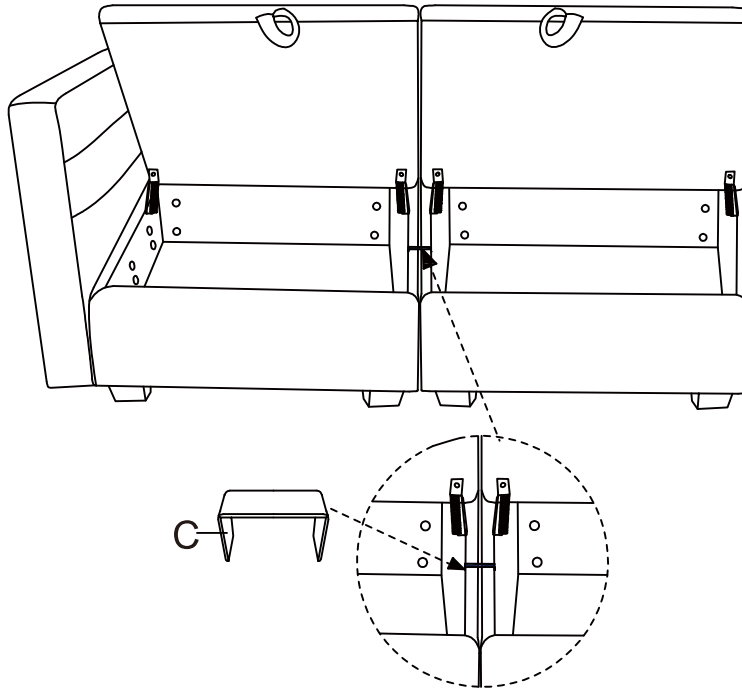
Three-level adjustable backrest,
tiltable up to 135 degrees.

Step 4

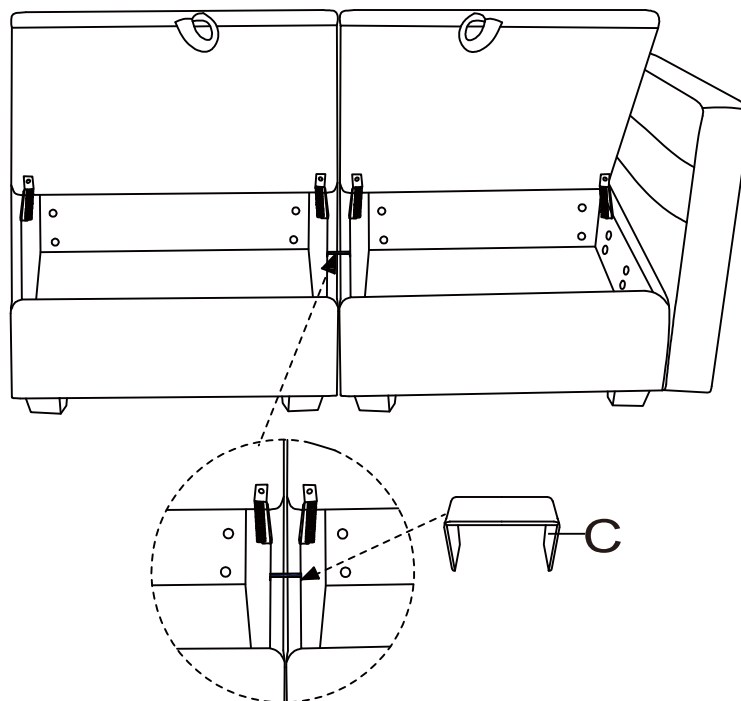
Please place the seat cushion, backrest,
and pillow properly



Please install according to the combination method purchased

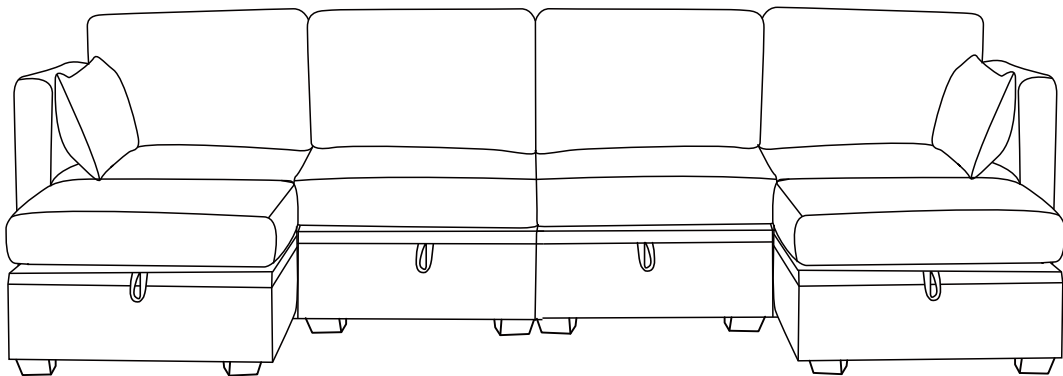
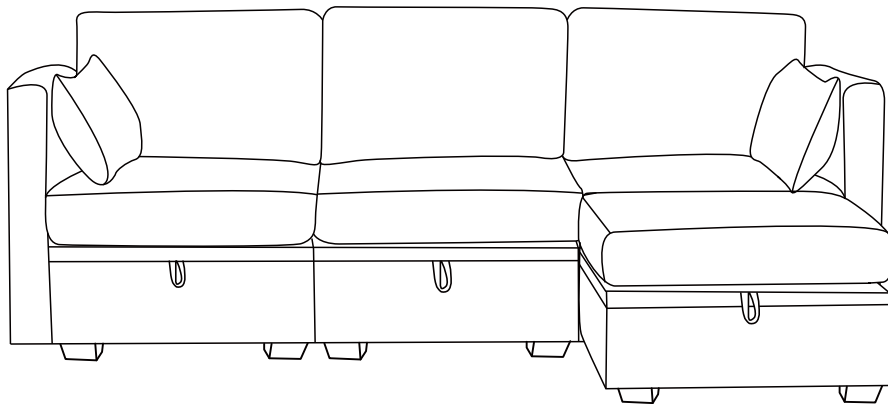
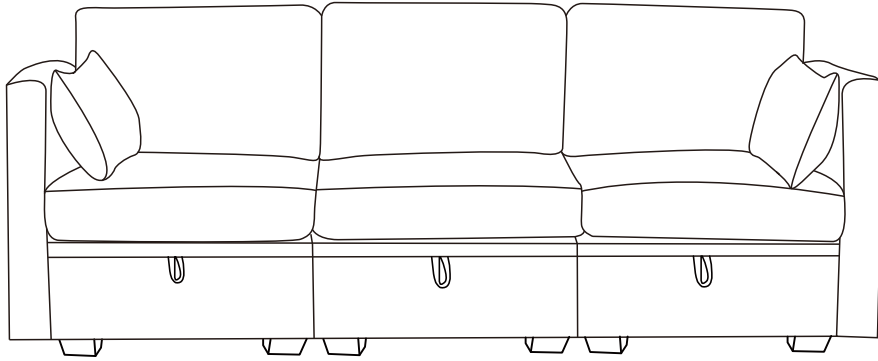


Fix the assembled sofa together with 1 connectors, and then place the seat cushion and backrest on top



Assembly Instruction

Please install according to the combination method purchased



Note: Cushions are vacuum-packed & it may take approximately 72 hours to fully expand to their intended size & shape