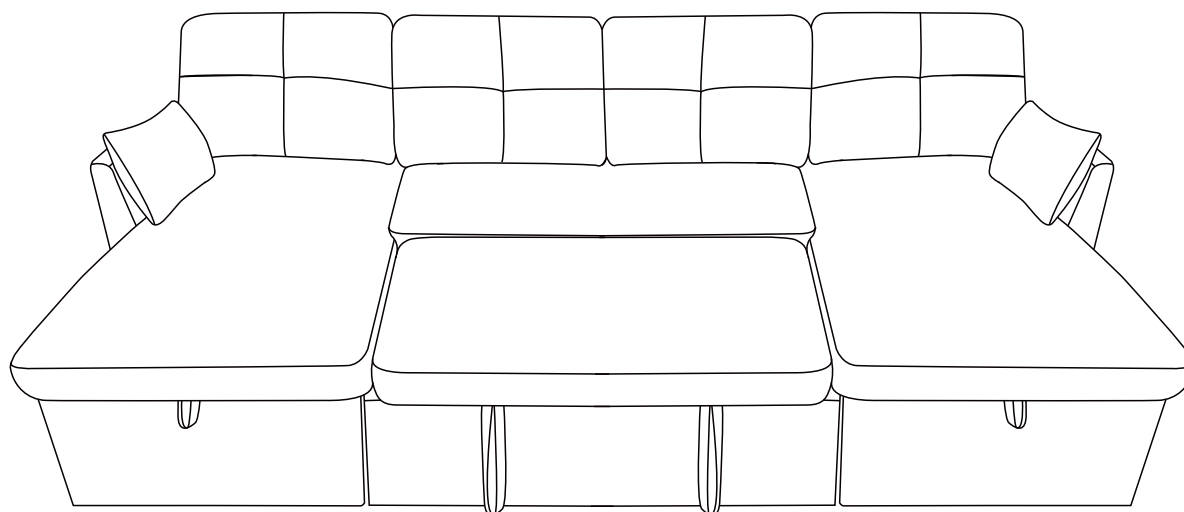


Assembly Manual

Modular Sectional Sofa



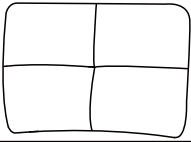
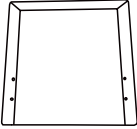
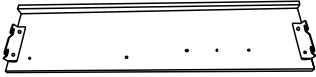
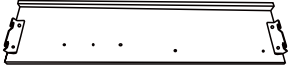
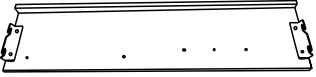
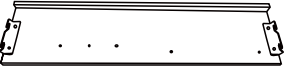
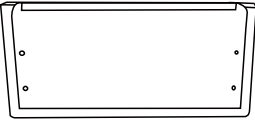
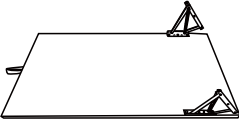

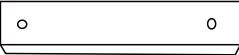
Assembly Instructions

Before Assembly

IMPORTANT NOTE:

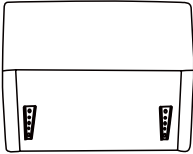
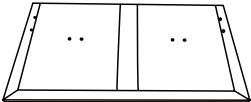
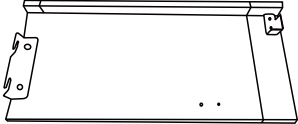

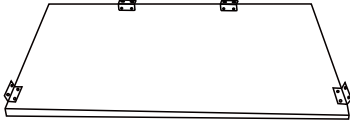
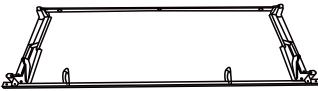
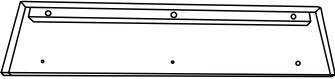

1. Make sure all parts and hardware are included and free of obvious defect before disposing of any packaging.
2. Place all wooden parts on a clean and smooth surface such as a rug or carpet to avoid the parts from being scratched.
3. Do not tighten all screws and bolts until completely assembled.
4. Assembly will require two people.

Part List

A		Back cushion	4
B		Back frame-chaise	2
C		Right panel-left chaise	1
D		Left panel-left chaise	1
Y		Right panel-right chaise	1
Z		Left panel-right chaise	1
E		Seat frame-chaise	2
F		Cover plate-chaise	2
G		Baseboard-chaise	2
H		Batten-chaise	4

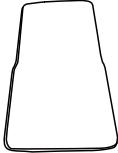

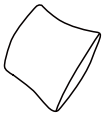

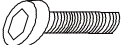

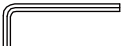

Assembly Instructions

Parts List

I		Arm	2
J		Back frame-loveseat	1
K		Right panel-loveseat	1
L		Left panel-loveseat	1
M		Cover plate-loveseat	1
N		Moving bed-loveseat	1
O		Seat frame-loveseat	1
P		Sitonasoftbag	1

Assembly Instructions

Parts List

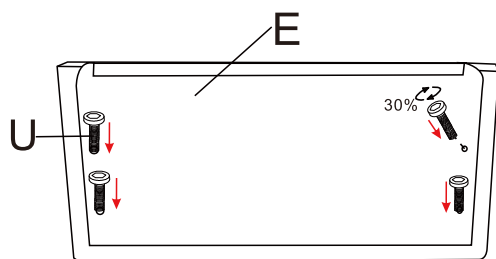
Q		Cushion-chaise	2
R		Cushion-loveseat	1
S		Pillow	2
T		Foot	12
U		Short screw	40
V		Long screw	11
W		Long wrench	1
X		Short wrench	1

Assembly Steps

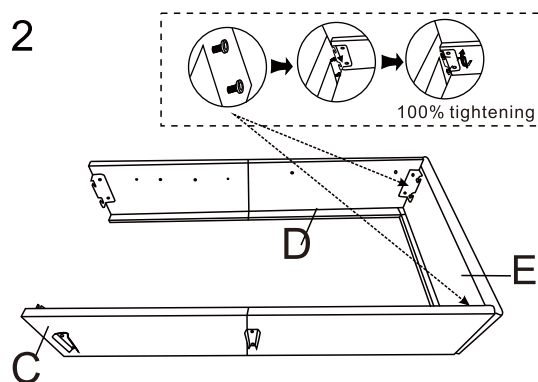
Left chaise

Step 1

Screw 30 percent

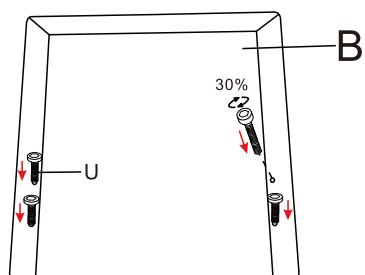


Step 2

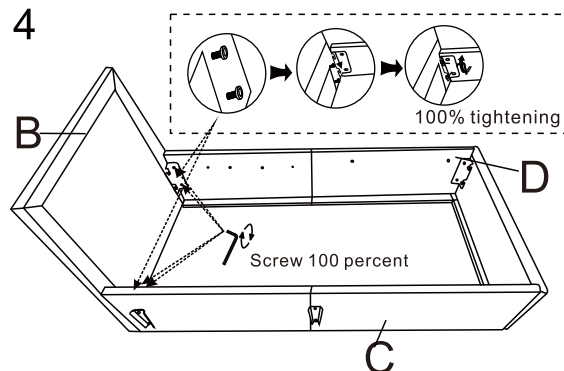


Step 3

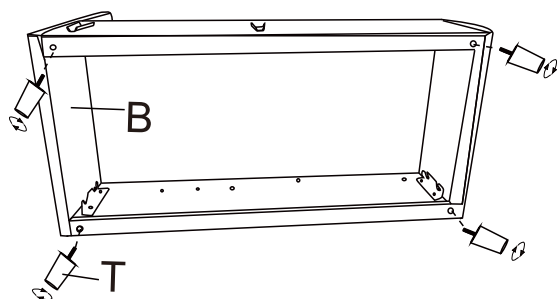
Screw 30 percent



Step 4

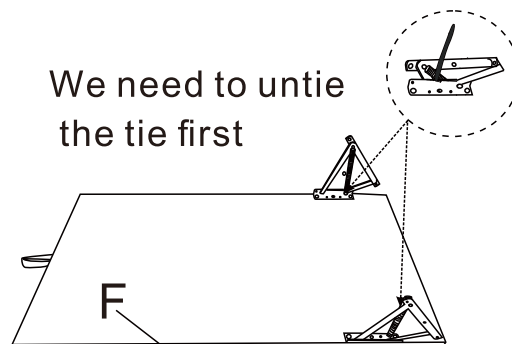


Step 5

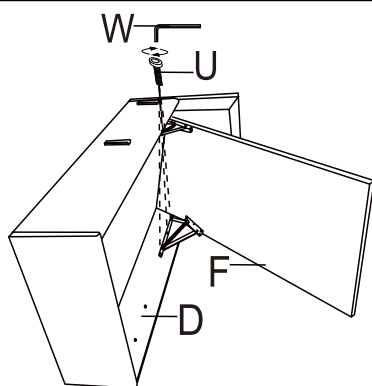


Step 6

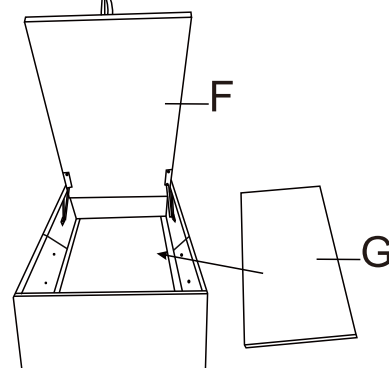
We need to untie the tie first



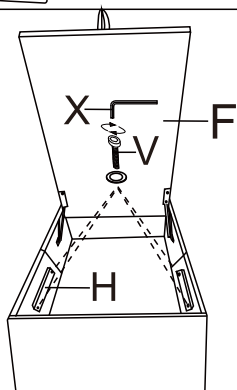
Step 7



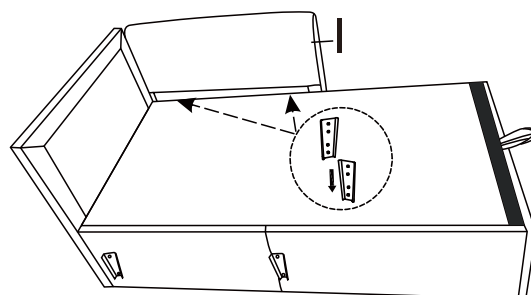
Step 8



Step 9



Step 10

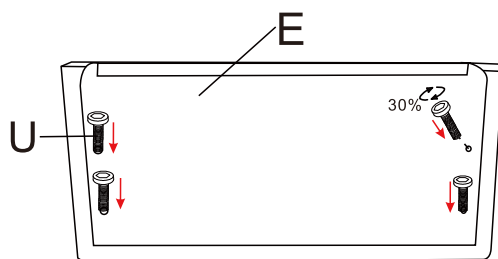


Assembly Steps

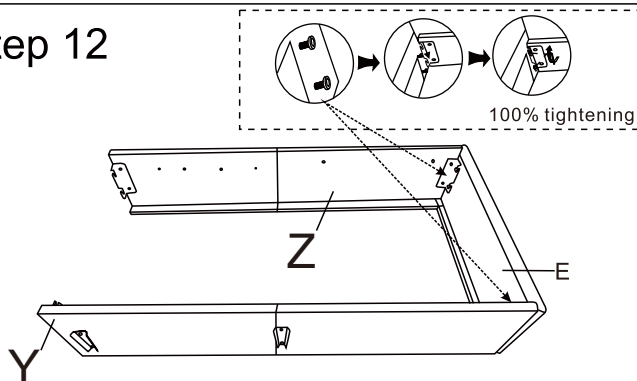
Right chaise

Step 11

Screw 30 percent

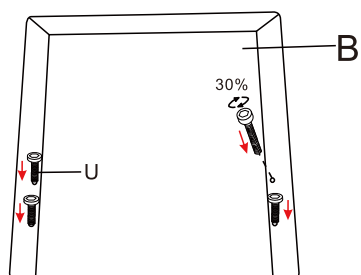


Step 12

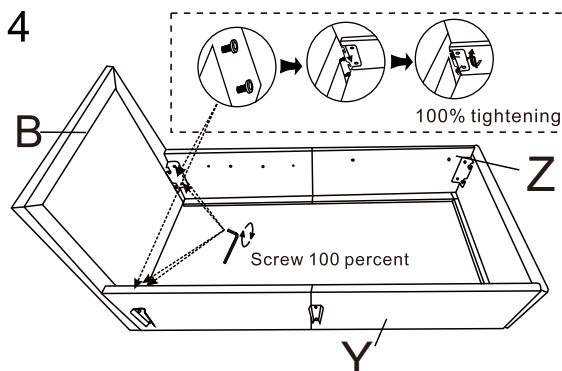


Step 13

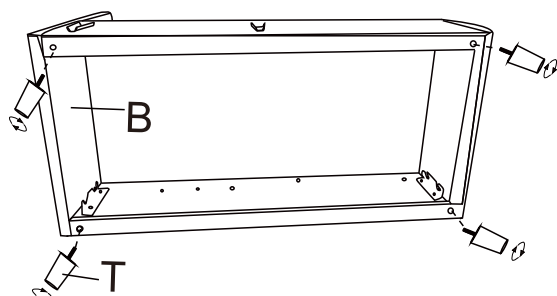
Screw 30 percent



Step 14

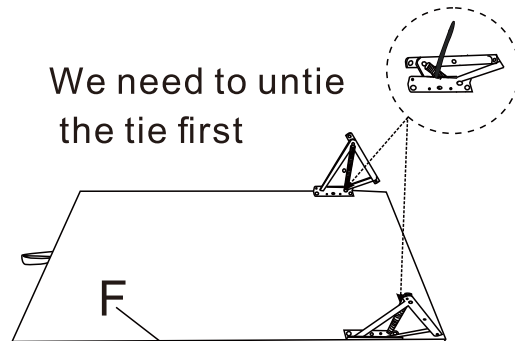


Step 15

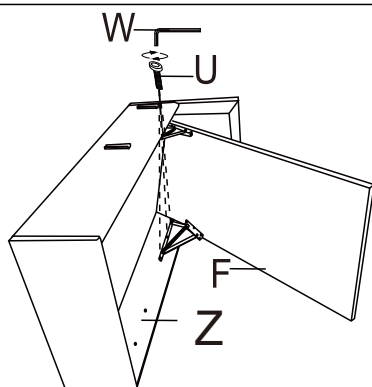


Step 16

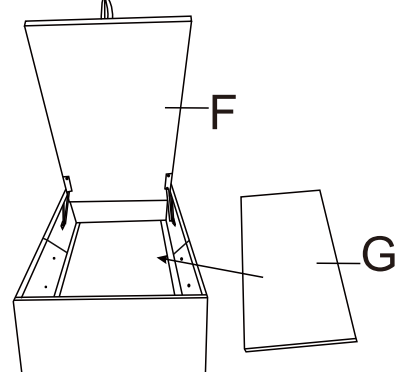
We need to untie the tie first



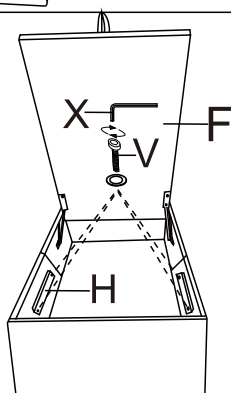
Step 17



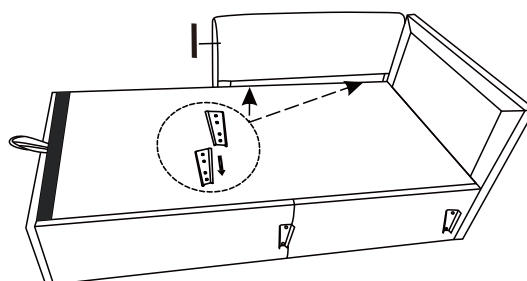
Step 18



Step 19



Step 20

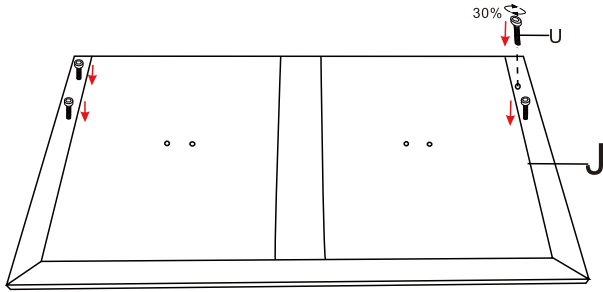


Assembly Steps

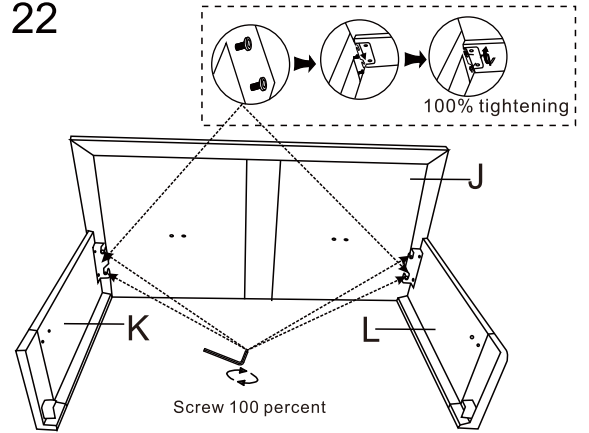
Loveseat

Step 21

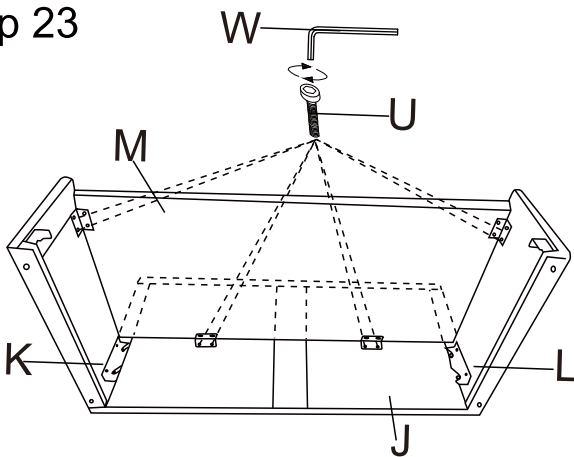
Screw 30 percent



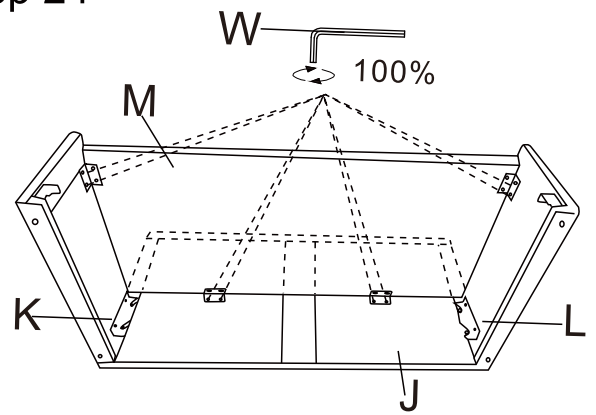
Step 22



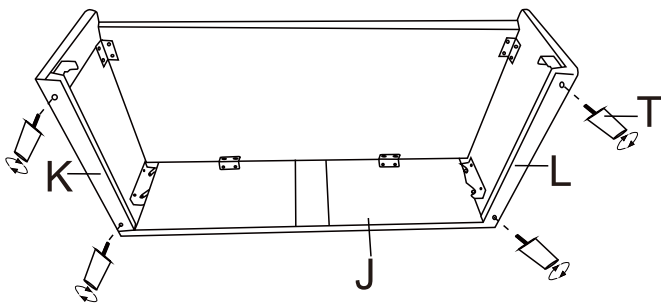
Step 23



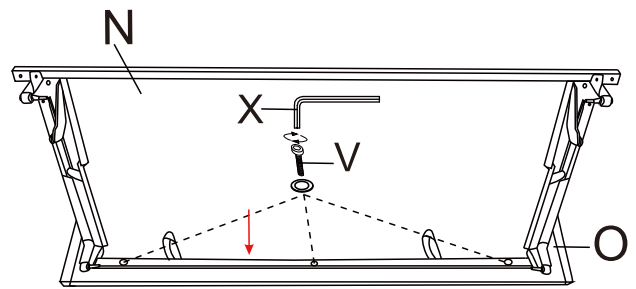
Step 24



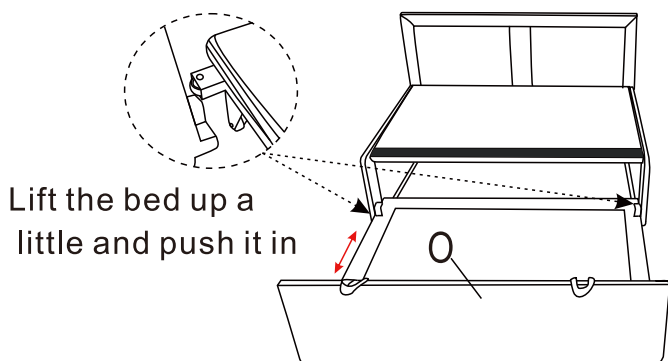
Step 25



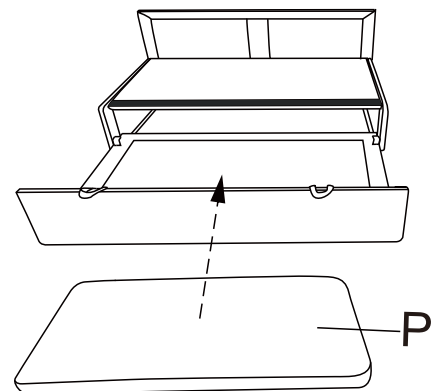
Step 26



Step 27

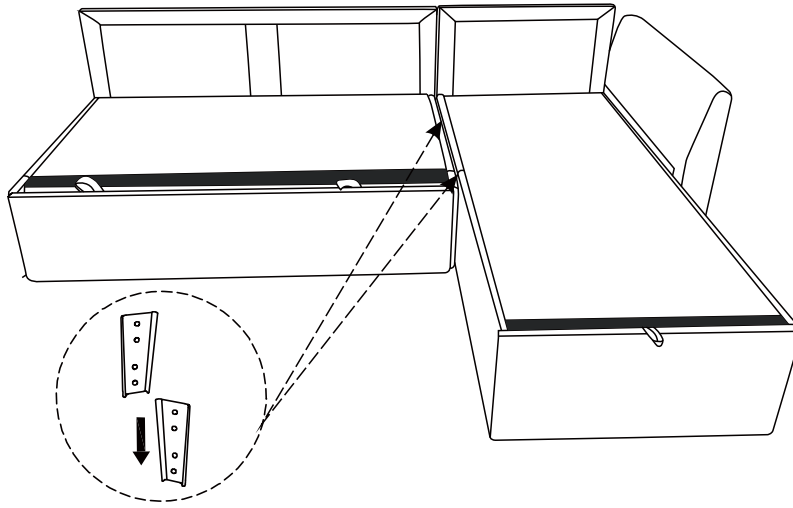


Step 28

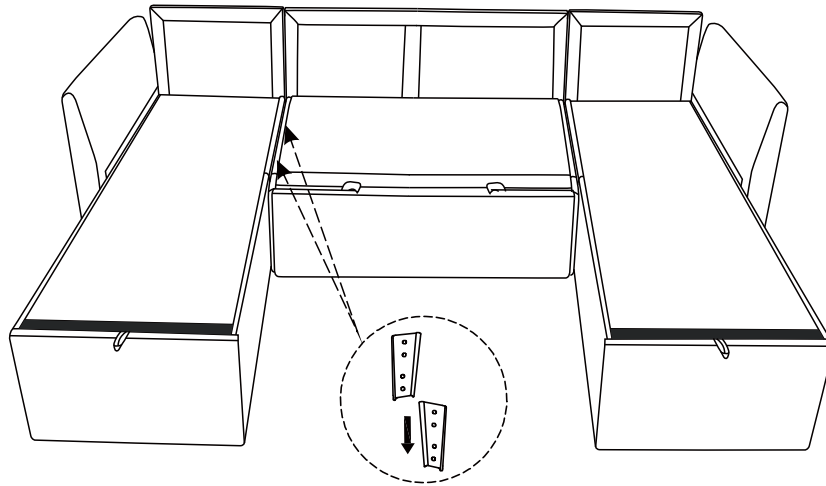


Assembly Steps

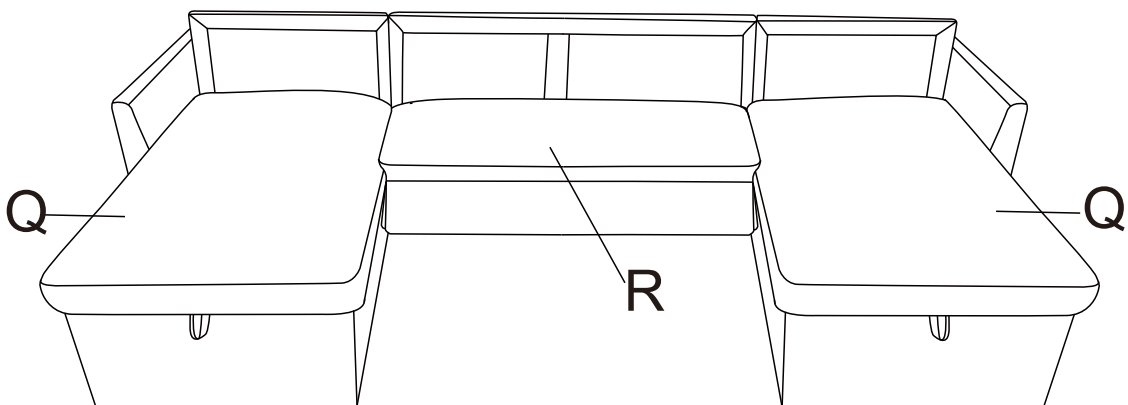
Step 29



Step 30

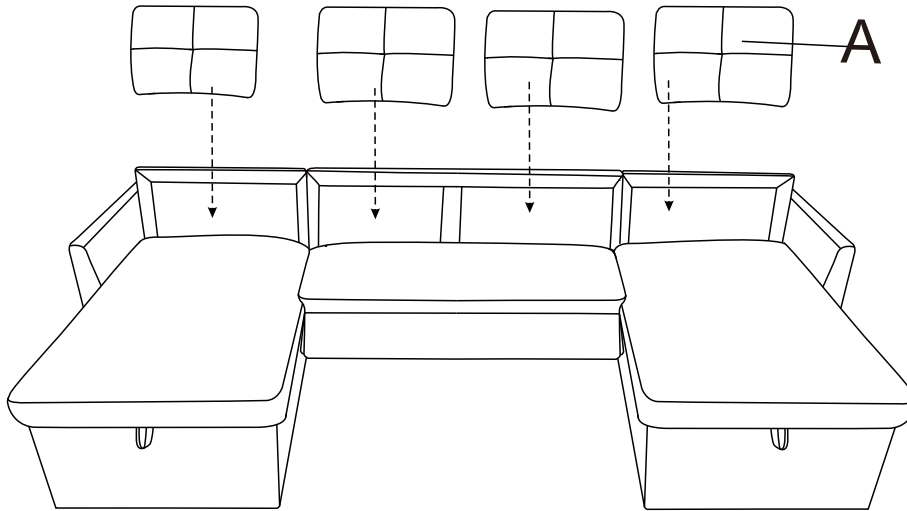


Step 31

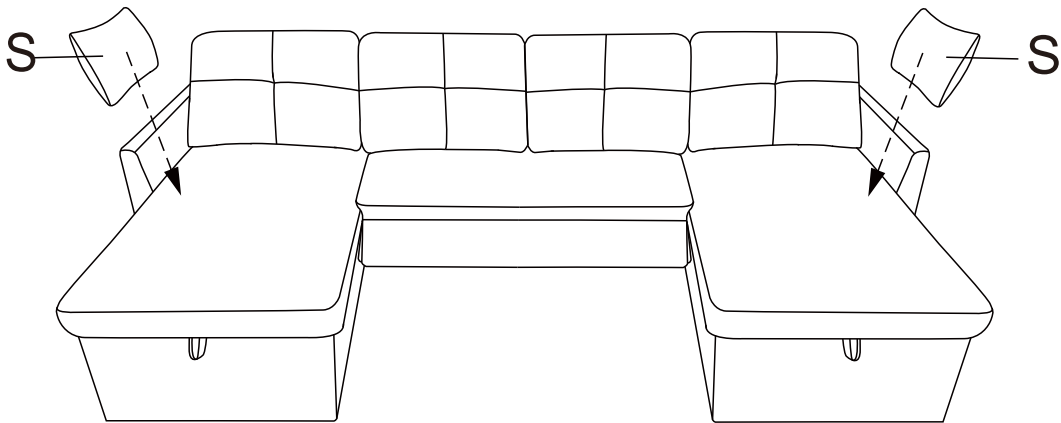


Assembly Steps

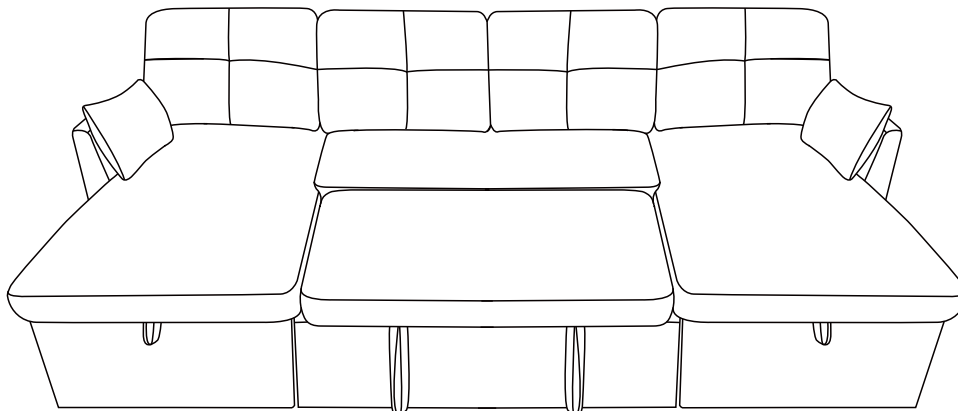
Step 32



Step 33



Step 34



Note: Cushions are vacuum-packed & it may take approximately 72 hours to fully expand to their intended size & shape