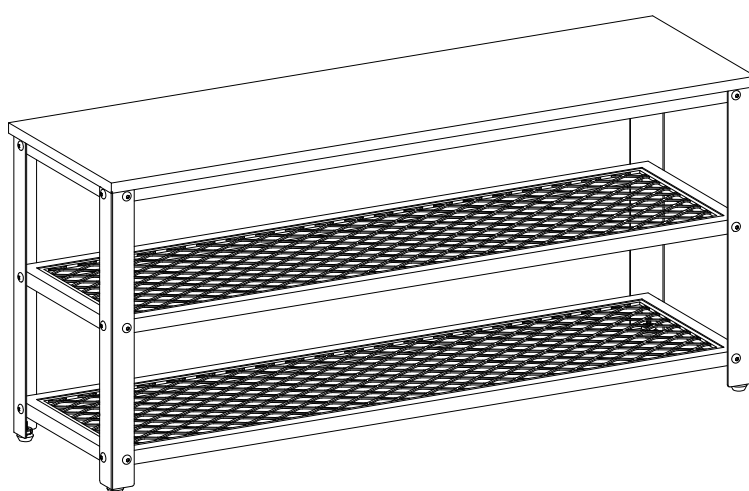


Shoe Bench-Brown

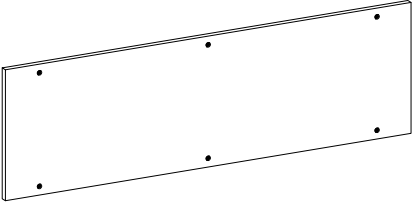
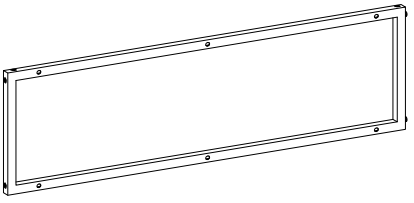
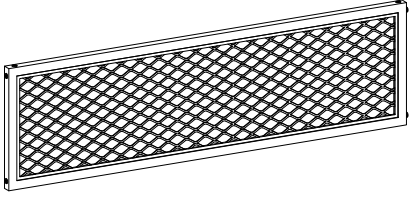
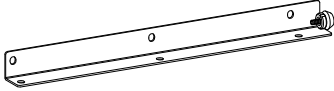


Before Assembly

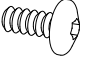
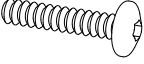
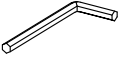
IMPORTANT NOTE:

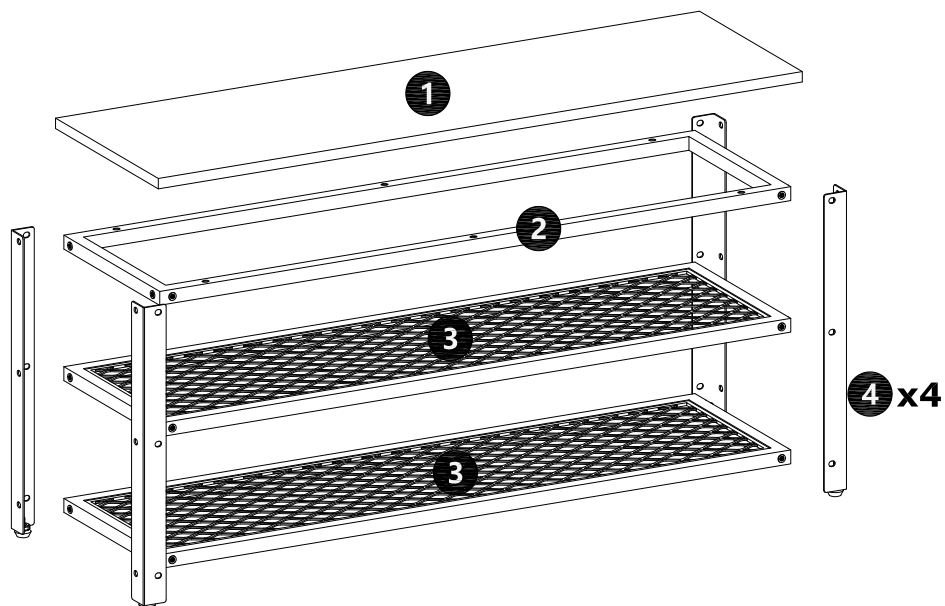
- Make sure all parts and hardware are included and free of obvious defect before disposing of any packaging
- Place all wooden parts on a clean and smooth surface such as a rug or carpet to avoid the parts from being scratched.
- Do not tighten all screws and bolts until completely assembled.
- Assembly will require two people.

PART LIST

<p>1</p> 	<p>2</p> 
<p>1 PC</p>	<p>1 PC</p>
<p>3</p> 	<p>4</p> 
<p>2 PCS</p>	<p>4 PCS</p>

HARDWARE LIST

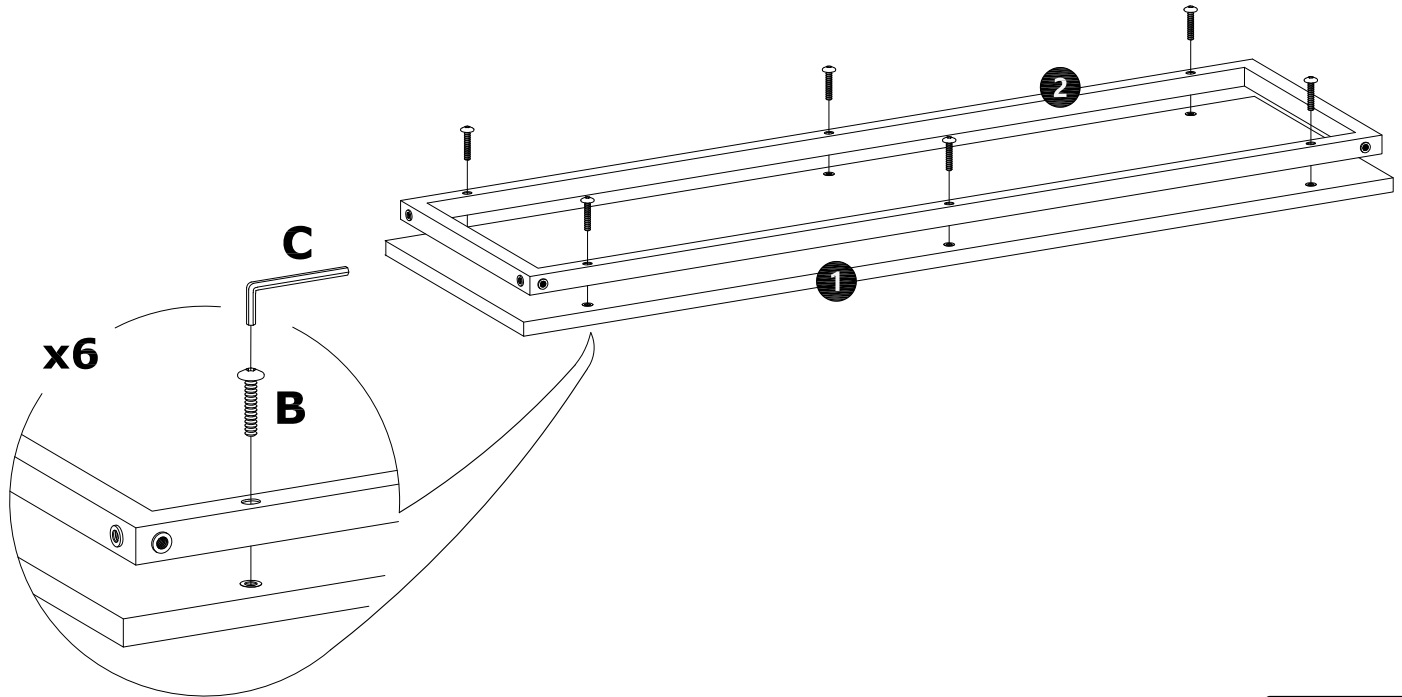
<p>A</p>  <p>M6x15mm</p>	<p>B</p>  <p>M6x30mm</p>	<p>C</p>  <p>ALLEN KEY</p>
<p>24 PCS</p>	<p>6 PCS</p>	<p>1 PC</p>



NOTED:

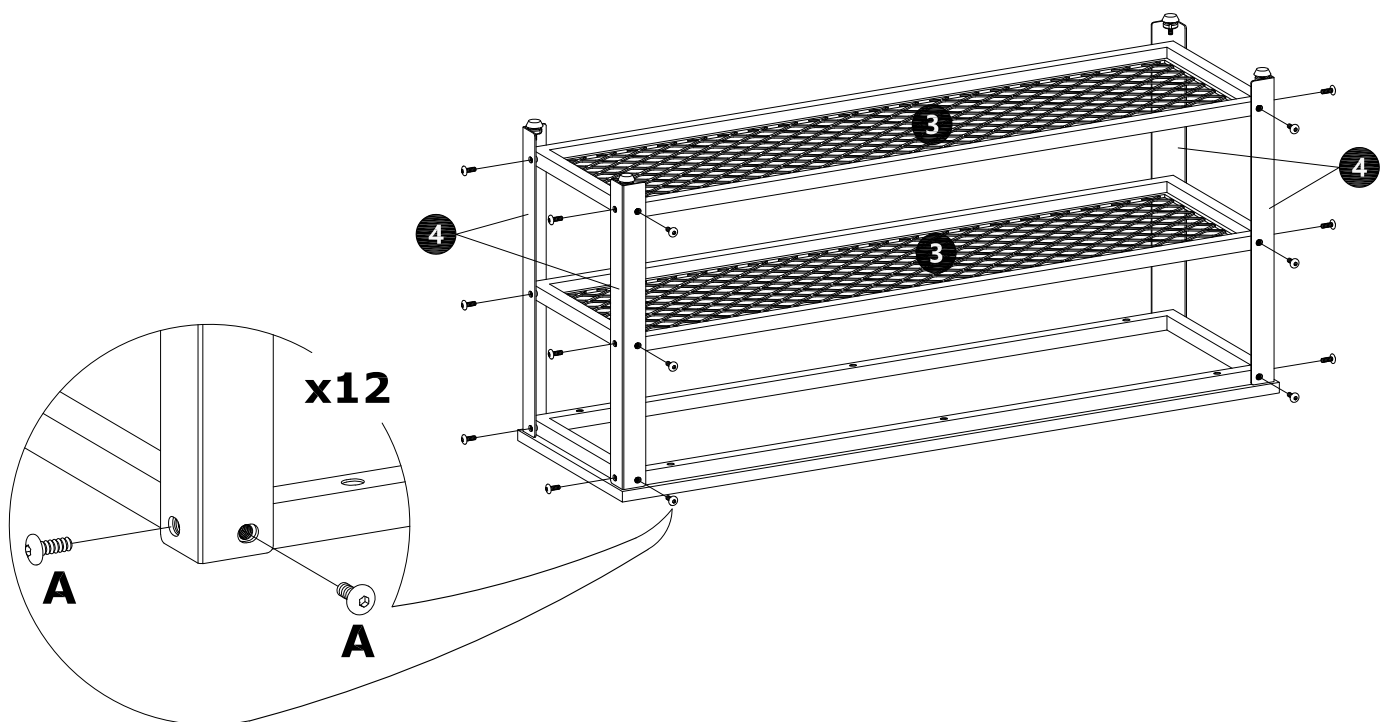
1. Do not fully tighten all bolts until all parts are in place. Failure to follow these instructions may cause the bolt to misalign during assembly.
2. To prevent injury and property damaged from unexpected tipping of furniture, we highly recommend installation of the anti-tip kit included with this product.

Step 1



B x 6PCS

Step 2



A x 24PCS