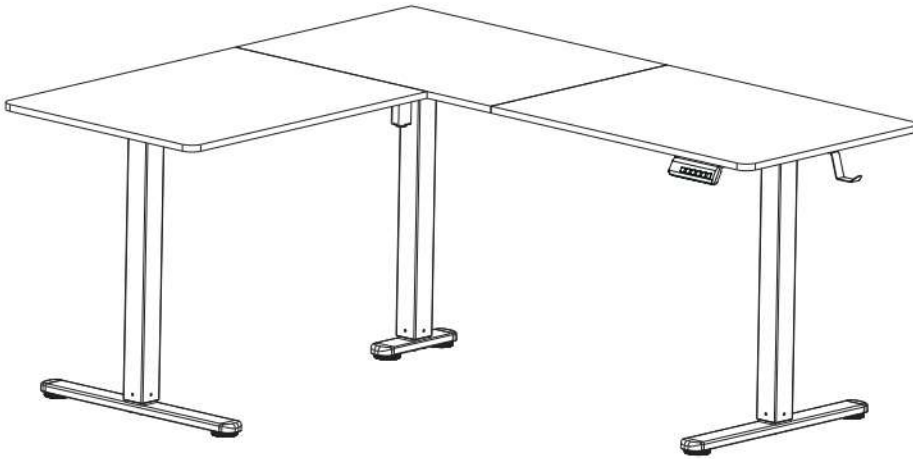


Corner Electric Standing Desk

Installation instructions



⚠ WARNING



Children have died from furniture tipover.

- ALWAYS secure this furniture with an anchor device.
- NEVER allow children to stand, climb or hang on drawers, or shelves.
- ALWAYS secure your television with an anchor device.

This is a permanent label. Do not remove!



Power Input
110V-240V



Speed
20 mm/s



Motion Noise
<55dB



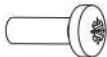
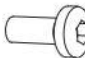
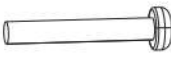
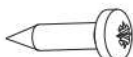





Load Capability
176 lbs / 80 kg

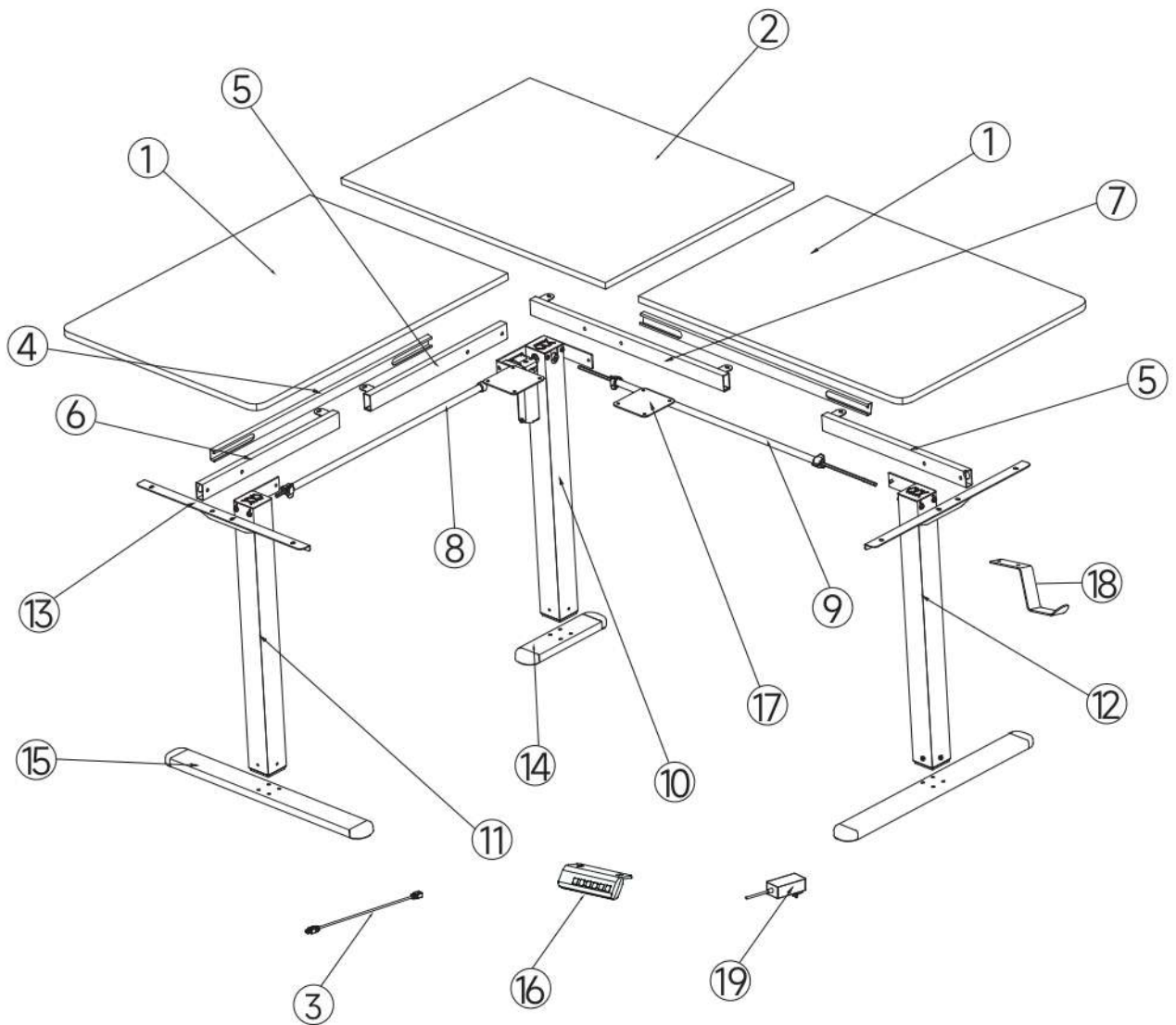
► Specifications

- Height adjustment: 720-1180mm
- 3 height memory adjustments

► Screw package list

A	Allen wrench (S=2mm)		1pcs
B	Allen wrench (S=4mm)		1pcs
C	M5*14mm screw (2 piece extra)		17pcs
D	M6*12mm screw (2 piece extra)		38pcs
E	M6*35mm screw (2 piece extra)		14pcs
F	M4.2*13mm screw (1 piece extra)		3pcs
G	Cable clamps		3pcs
H	Rubber pads (2 piece extra)		15pcs
I	Adjust the feet		6pcs

► List of components

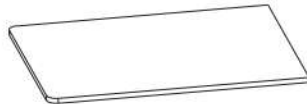


► List of components

Table

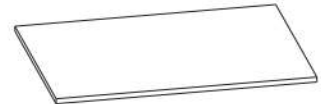


①/②



① (x2)








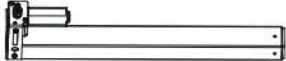

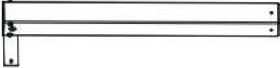







Table board 1



② (x1)

Table board 2


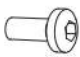
PARTS LIST

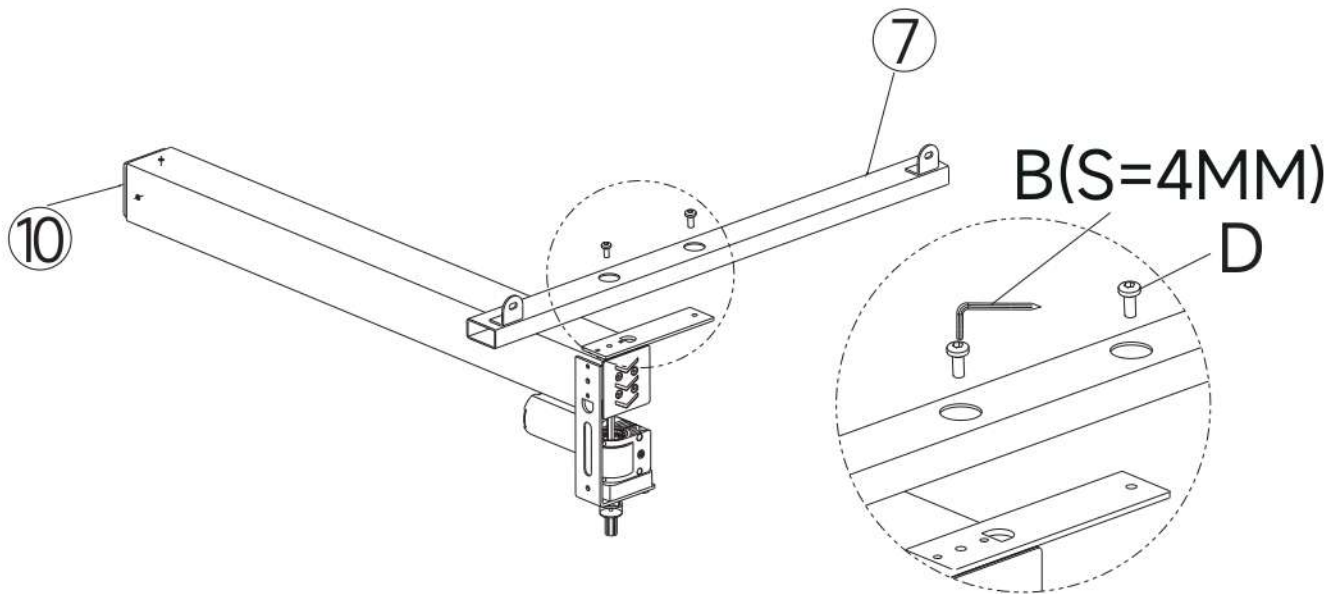
 <p>③ (x1) extension cord</p>	 <p>④ (x2) The connecting square tube</p>	 <p>⑤ (x2) Crossbar 1</p>
 <p>⑥ (x1) Crossbar 2</p>	 <p>⑦ (x1) Crossbar 3</p>	 <p>⑧ (x1) Drive rod 1</p>
 <p>⑨ (x1) Drive rod 2</p>	 <p>⑩ (x1) Main leg (motor)</p>	 <p>⑪ (x1) Sideleg left</p>
 <p>⑫ (x1) Sideleg right</p>	 <p>⑬ (x2) Table board connecting arms</p>	 <p>⑭ (x1) Feet 1</p>
 <p>⑮ (x2) Feet 1</p>	 <p>⑯ (x1) Hand controls</p>	 <p>⑰ (x4) Table fixing plate</p>
 <p>⑱ (x1) Headphone stand</p>	 <p>⑲ (x1) Power adapter</p>	

► Step 1 Assemble the legs

1-1 Leg mount 1

On a flat floor, use screws (#D) to connect the crossbar 3 (#7) to the main leg (motor) (#10) and tighten it using a 4mm hex wrench (#B) until fixed. Make sure the crossbar 3 (#7) direction is as shown in the image.


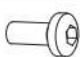
B		S=4mm
D		M6*12mm (*2)

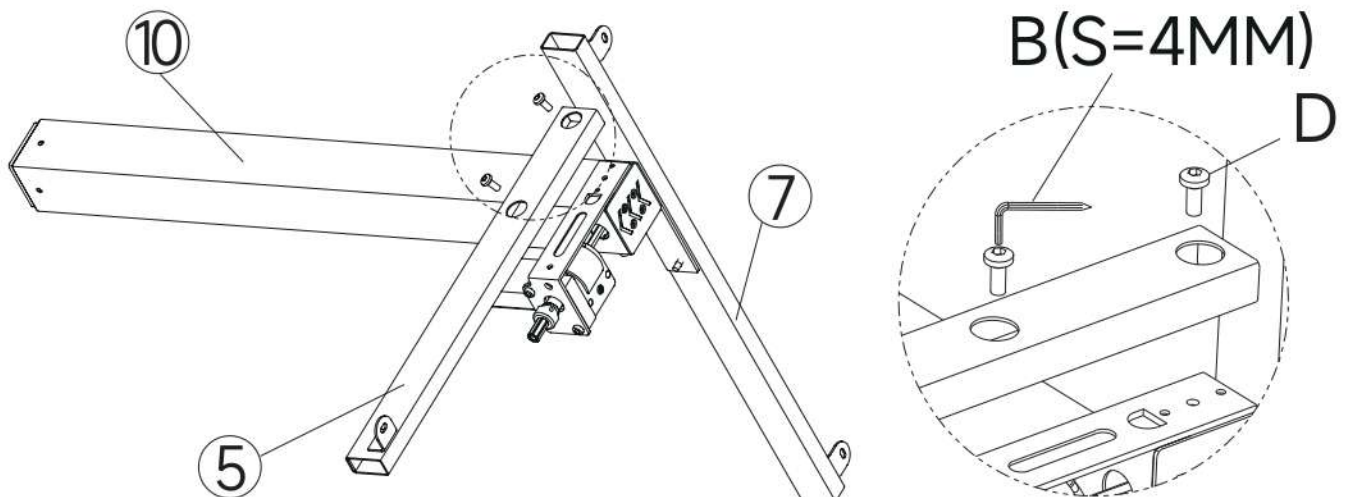


► Step 1 Assemble the legs

1-2 Leg mount 1

Use screws (#D) to connect the crossbar 1 (#5) to the main leg (motor) (#10) and tighten it using a 4mm hex wrench (#B) until fixed. Make sure the crossbar 1 (#5) direction is as shown in the image.


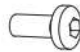
B		S=4mm
D		M6*12mm (*2)

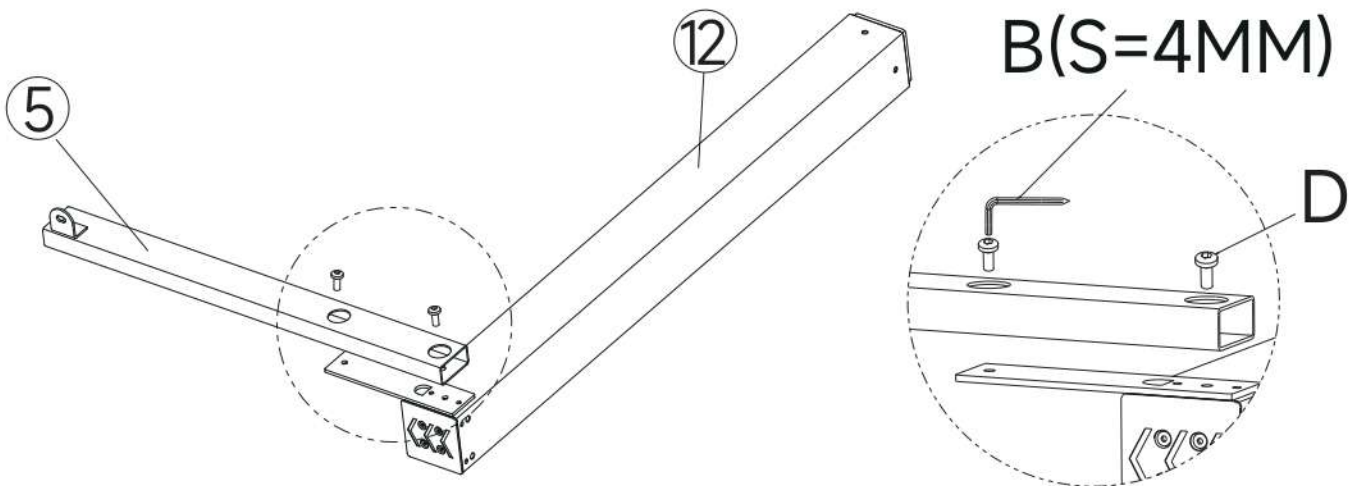


► Step 1 Assemble the legs

1-3 Leg mount 2

On a flat floor, place the right side leg (#12) and crossbar 1 (#5) in the configuration shown here. Tighten with screws (#D) as shown in enlarged bubbles, and finally secure with a 4 mm hex wrench (#B).


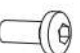
B		S=4mm
D		M6*12mm (*2)



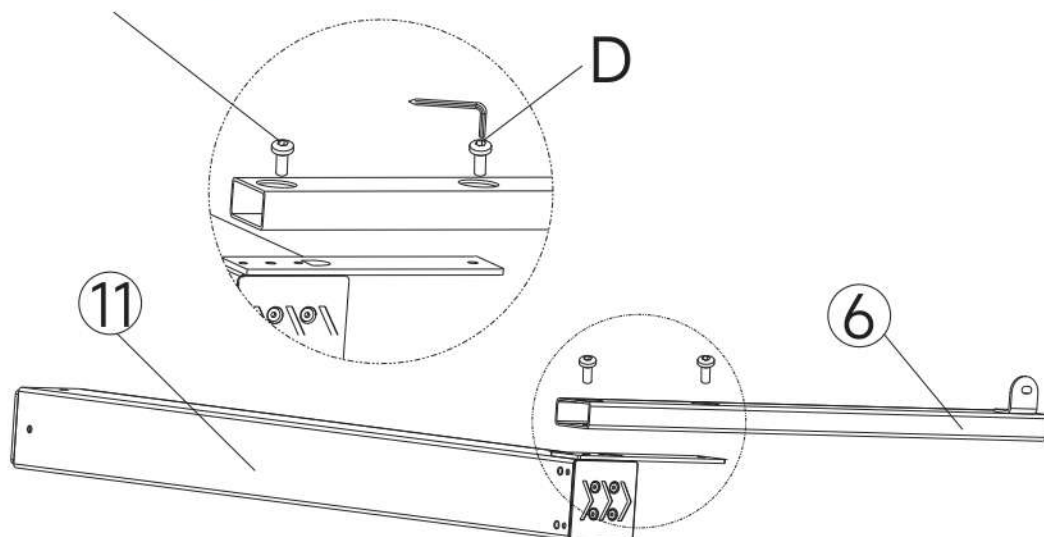
► Step 1 Assemble the legs

1-4 Leg mount 3

On a flat floor, place the left side leg (#11) and crossbar 2 (#6) in the configuration shown here. Tighten with screws (#D) as shown in enlarged bubbles, and finally secure with a 4 mm hex wrench (#B).

B		S=4mm
D		M6*12mm (*2)


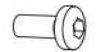
B(S=4MM)

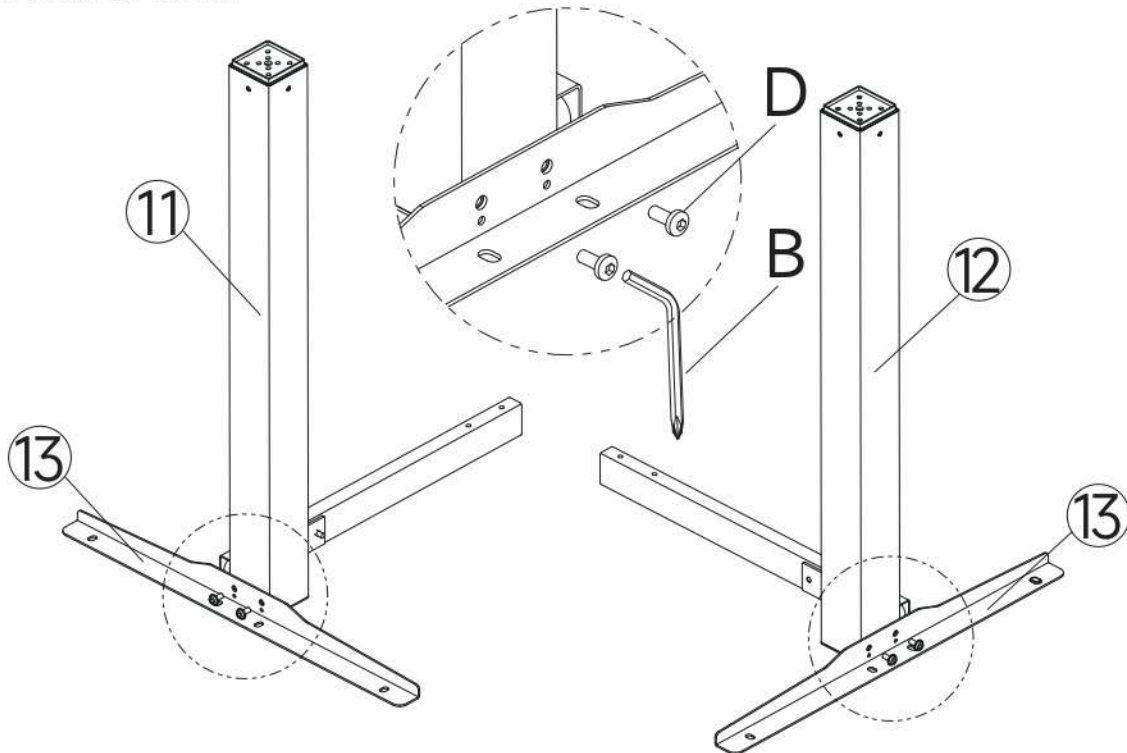


► Step 1 Assemble the legs

1-5 Install the table attachment arm

Use screws (#D) to attach the table plate attachment arm (#13) to the left leg (#11), to the right leg (#12) and tighten using a 4mm hex wrench (#B) until secured and make sure that the orientation of the table attachment arm is as shown.


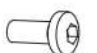
B		S=4mm
D		M6*12mm (*4)

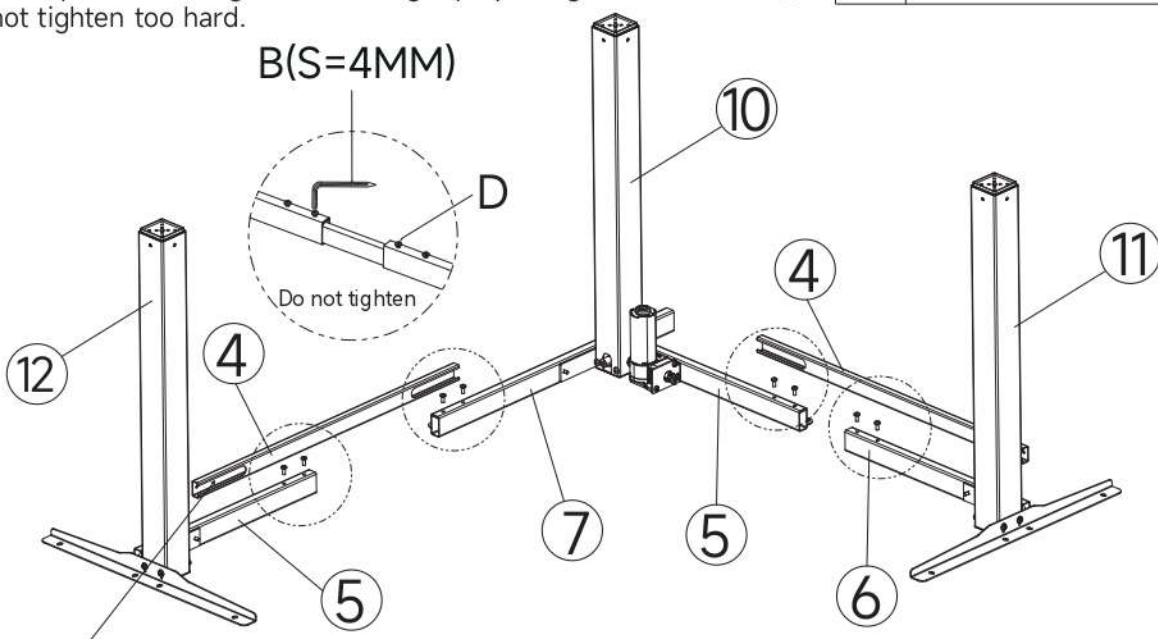


► Step 1 Assemble the legs

1-6 Connect the main leg, left leg, and right leg

Firstly, insert part 4 into part 5/6/7 as shown in the picture. Please note there are no assembly holes in part 4. Secondly, put the screws (#D) into the holes on part 5/6/7, tighten them slightly by using hex wrench (#B), but do not tighten too hard.


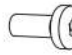
B		S=4mm
D		M6*12mm (*8)



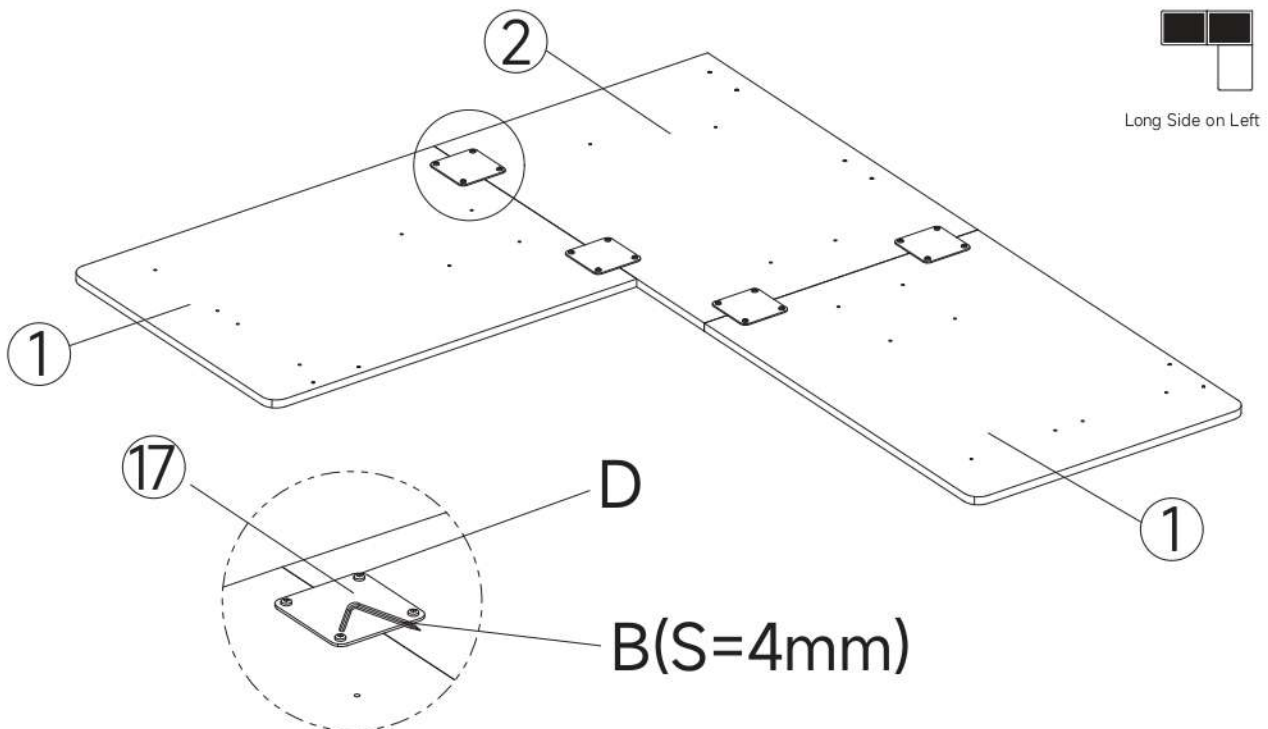
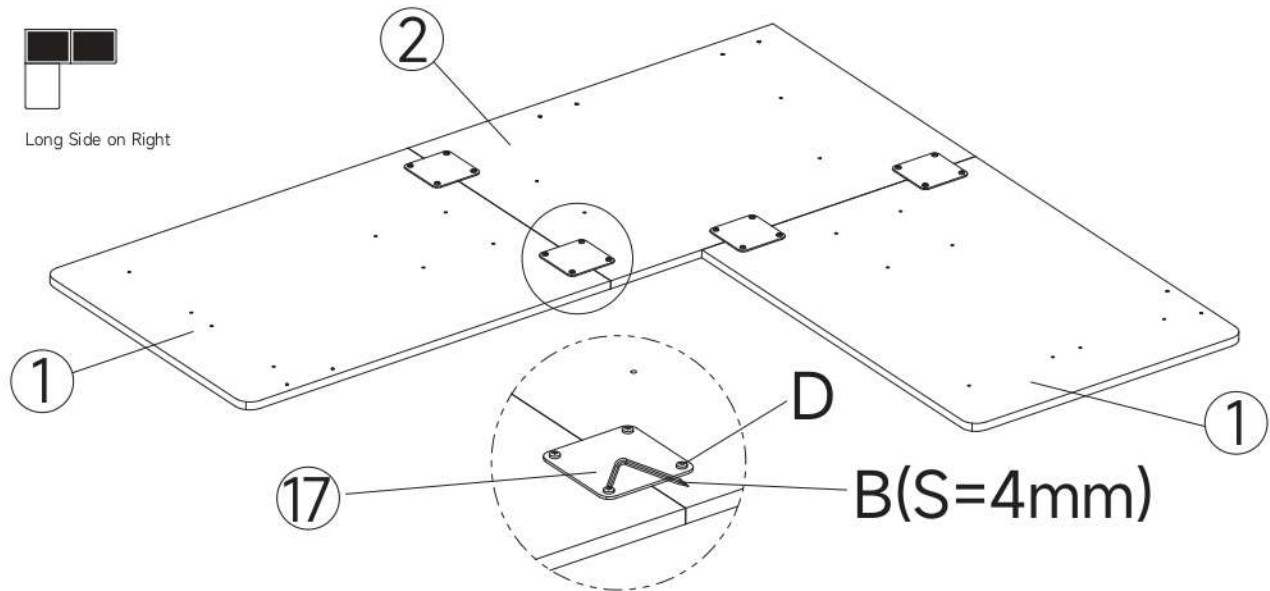
This area on part 4 should face the motor on the leg part 10 as shown in the picture

► Step 2 Assemble the Desktop

Turn the desktop (#1, 2) upside down as shown below. Connect 1, 2 in left-to-right order, using the desktop connector (#17) in the location shown and secure in place using screws (#D). Tighten until secured.

B		S=4mm
D		M6*12mm (*16)

2 Assembly Options Suitable for Different Space



▶ Step 3 Frame the table plate and install the legs

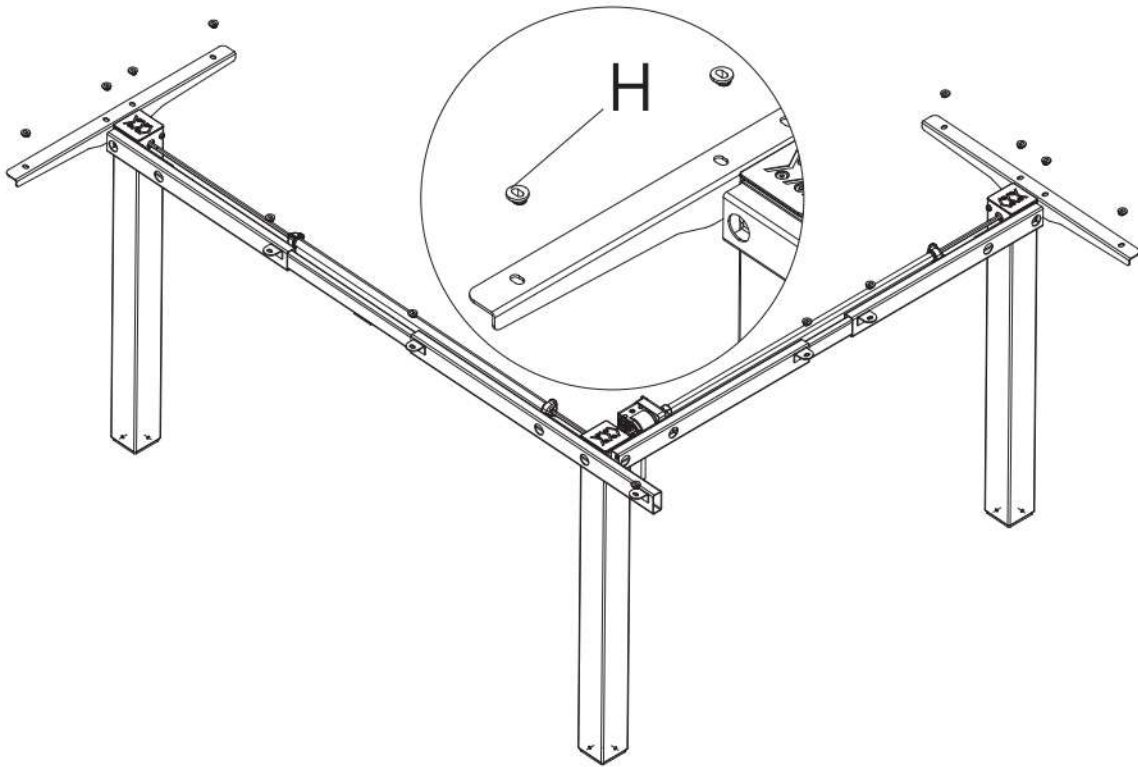
3-1 Install rubber pads

Flip the table over so that it stands on the ground. Installing Rubber Pads (#H)

H



Rubber pads (*13)



▶ Step 3 Frame the table plate and install the legs

3-2 Install the table plate

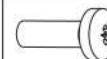
Turn the table over, Align the holes on the table frame with the holes on the tabletop. Use screws (#C) to attach the desktop frame to the desktop. Tighten until secured.

B

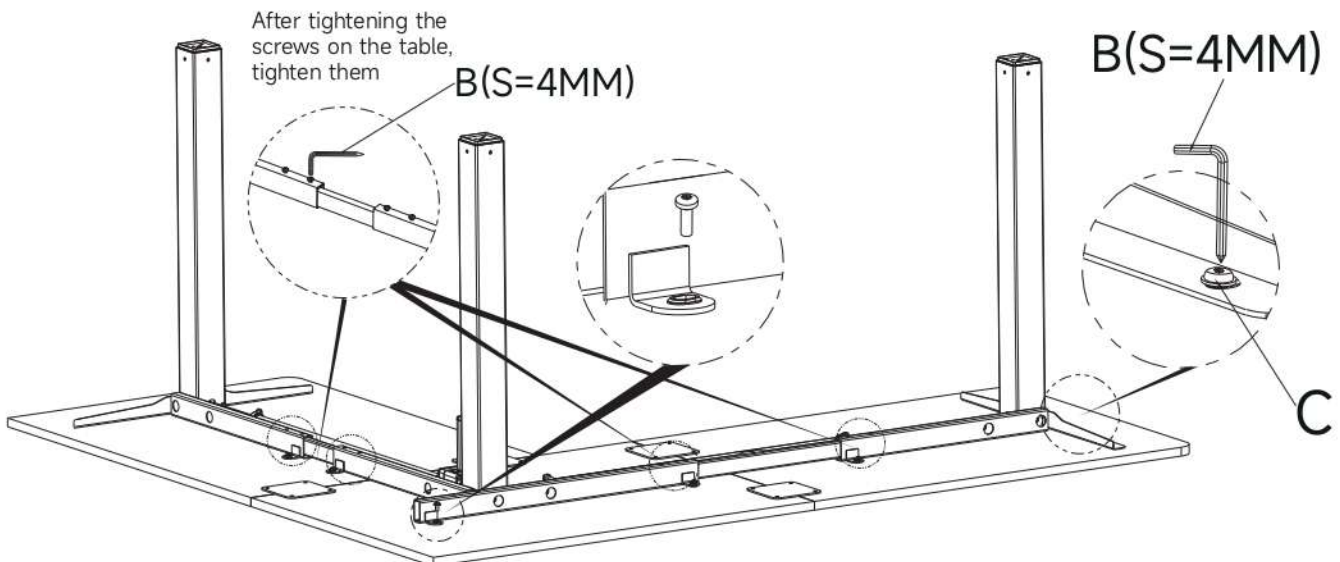


S=4mm

C



M5*14mm (*13)

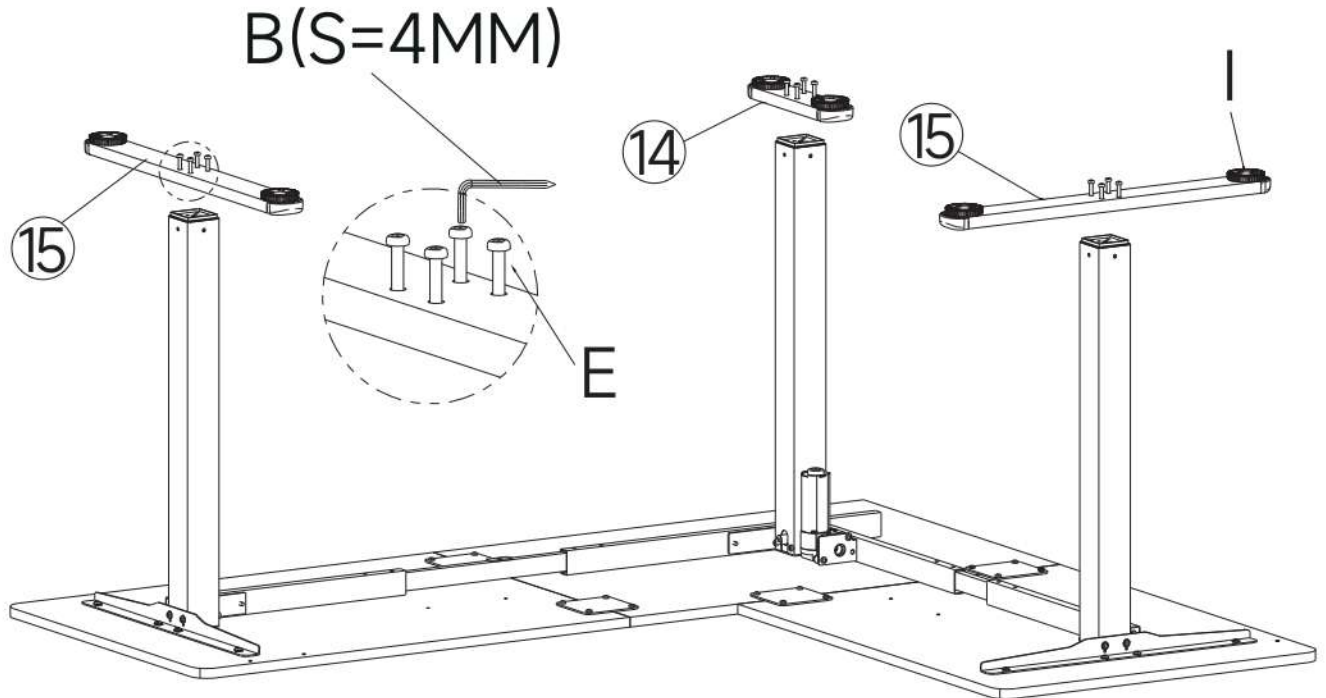


► Step 3 Frame the table plate and install the legs

3-3 Install the feet

Using screws (#E), attach the three feet (#14)(#15)x2 sequentially to the table frame and tighten until secured 4 mm hex wrench (#B). After that, screw on the foot (#I)

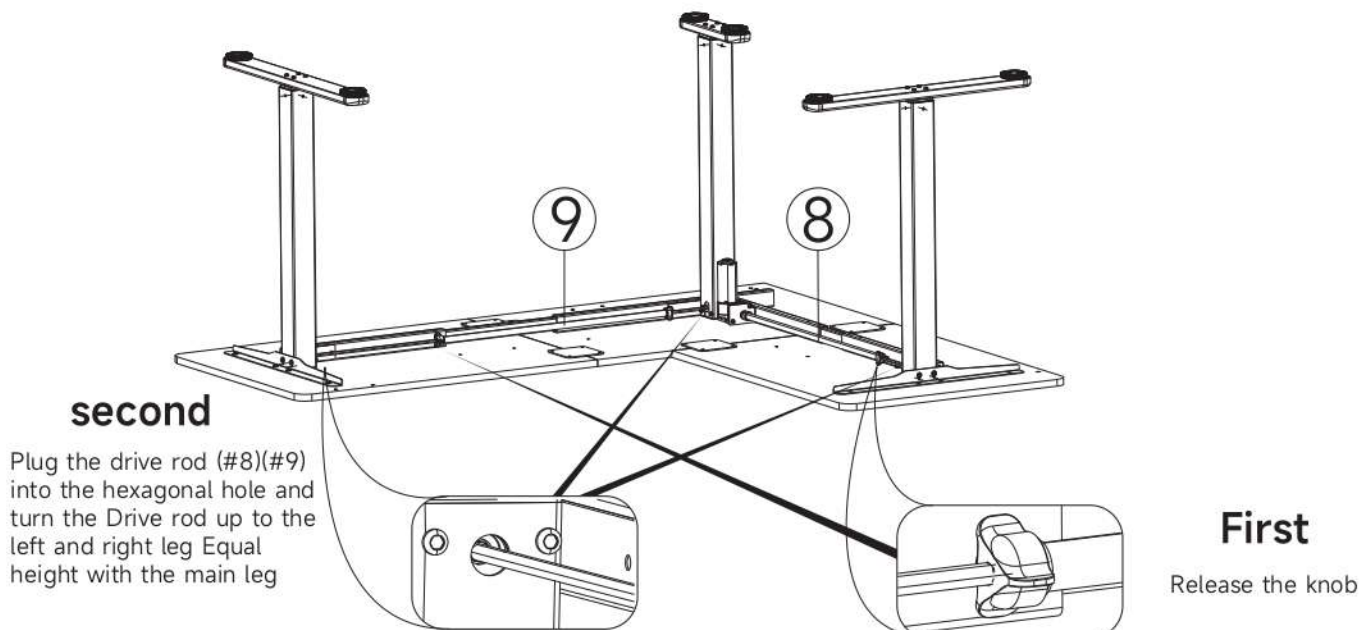
B		S=4mm
E		M6*35mm (*12)



► Step 4 Attaching the drive Rod

Measure the height of the left and right table legs (#11) (#12) and main leg (#10) before installing the drive rod. Make sure they are set at the same height. If not, insert the drive rod (#8)(#9) into the holes in the left and right legs (#11) (#12). Turn the drive lever (#8)(#9) to adjust the left and right legs so that they are flush with the main leg (#10).

4-1 Loosen the knob and insert the drive rod

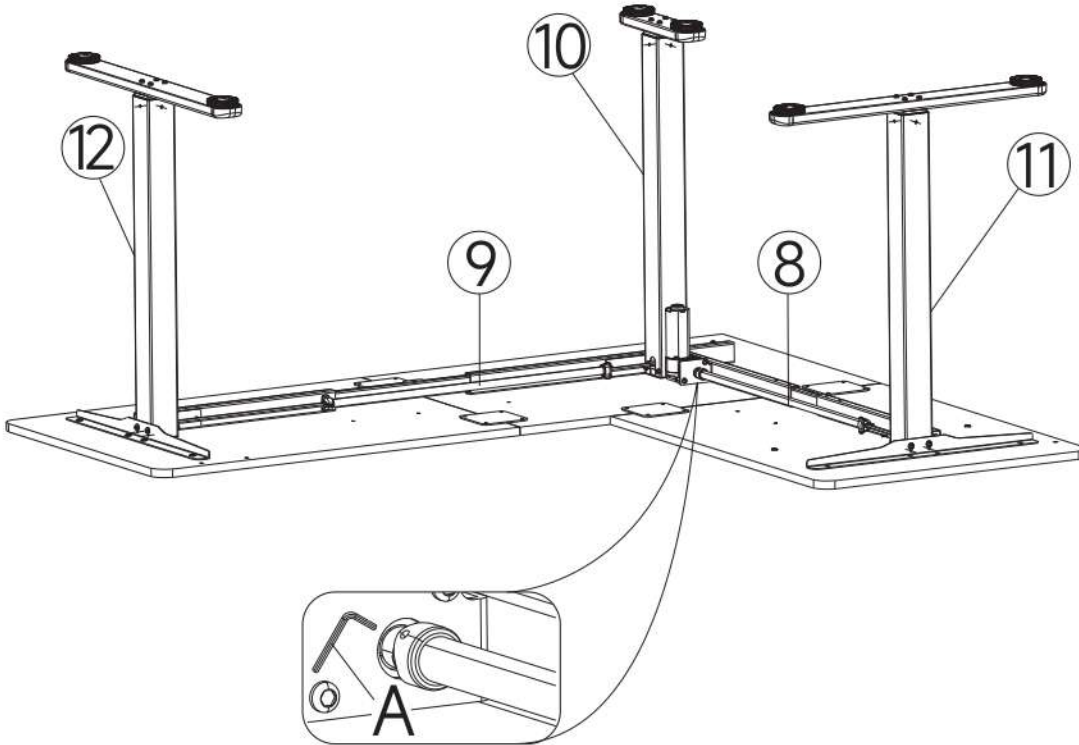


▶ Step 4 Attaching the drive Rod

4-2 Fixed drive rod

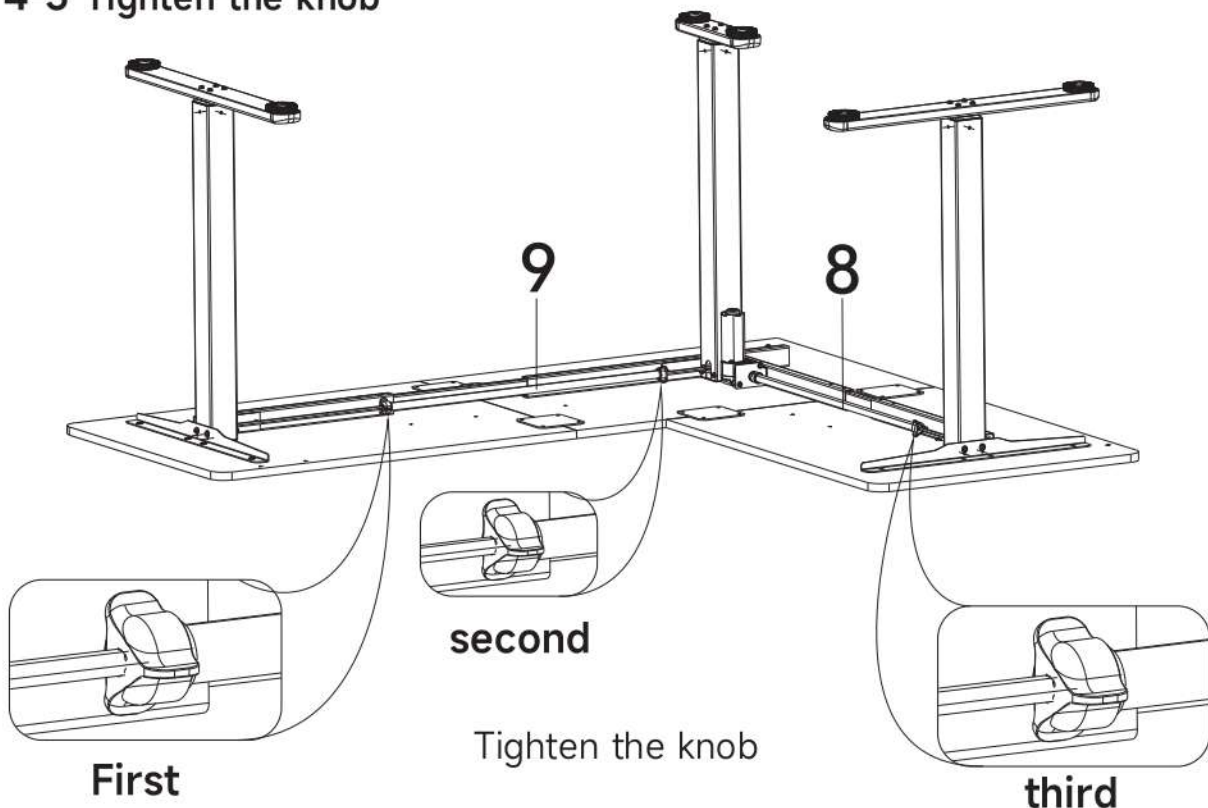


Insert the other end of the drive lever (#8) into the slot on the main leg (#10). The drive lever can be slightly rotated for easier installation. Use the provided 2 mm hex wrench (#A) to tighten the preset setscrews and secure the drive lever in place.




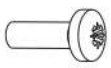
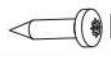
▶ Step 4 Attaching the drive Rod

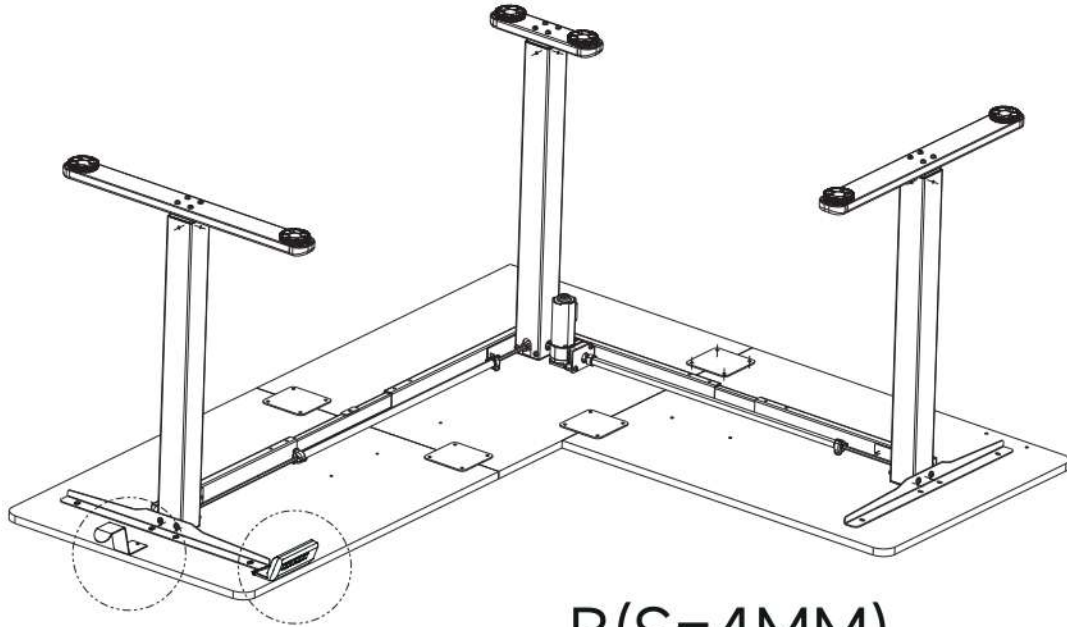
4-3 Tighten the knob



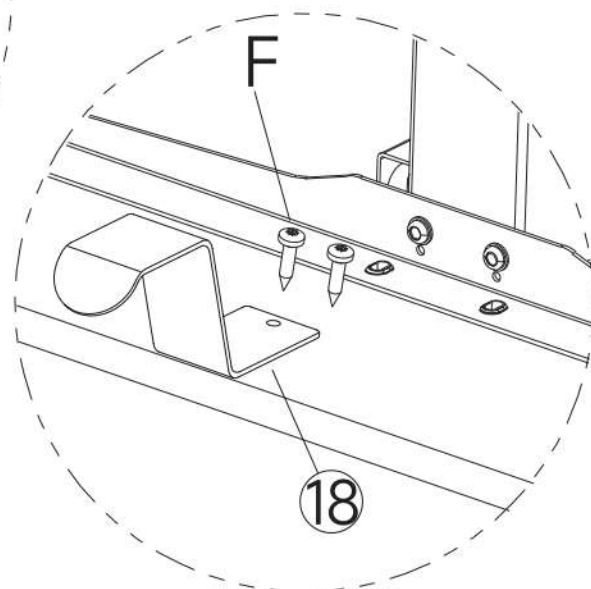
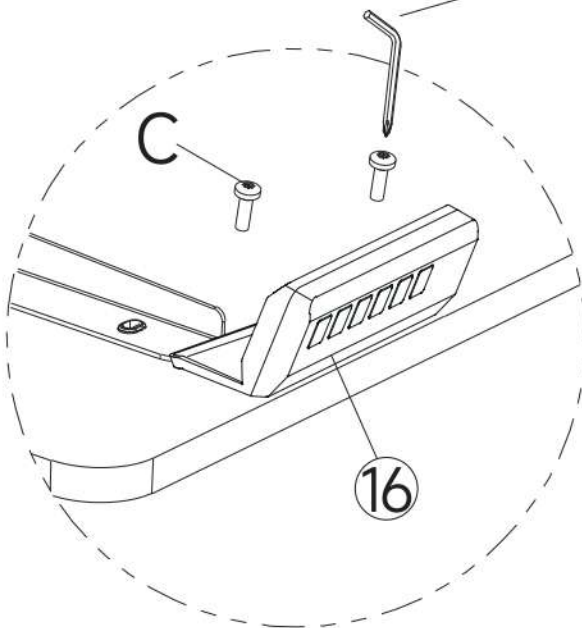
► Step 5 Install the handset and headphone stand

Attach the hand control (#16) and headphone hook (#18) to the desktop. Use screws (#C) to secure the handset (#16). Use screws (#F) to secure the earphone hook (#16)x2. Tighten with a 4mm hex wrench (#B).

B		S=4mm
C		M5*14mm (*2)
F		M4.2*13mm (*2)



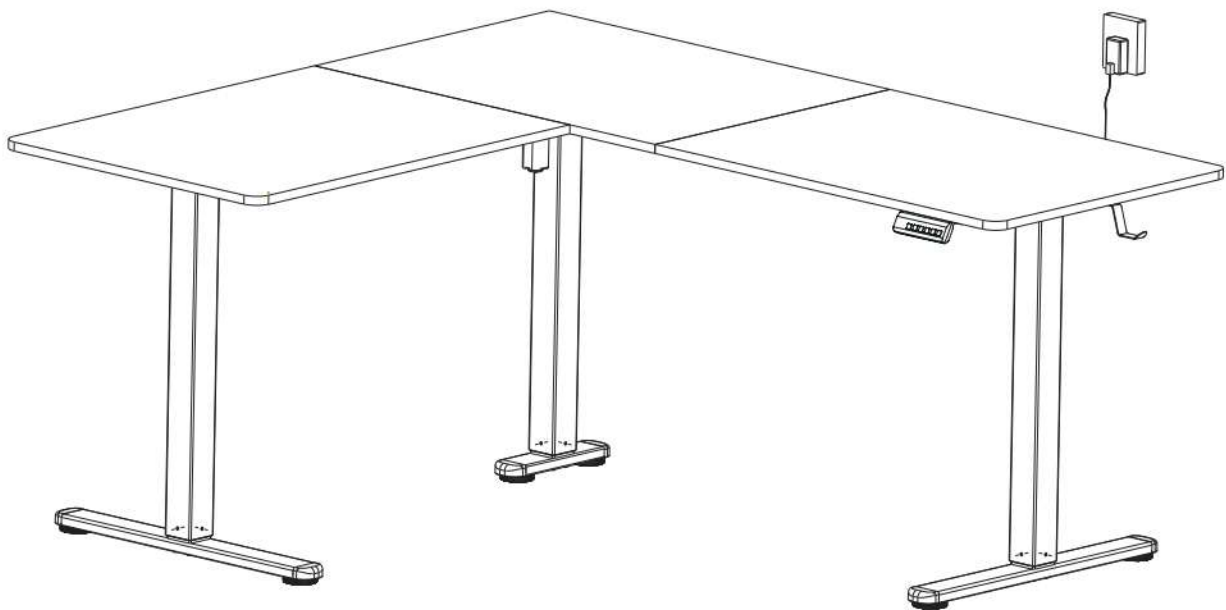
B(S=4MM)



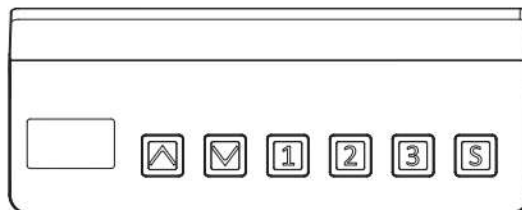
► Step 7 Connect the Power

Flip the table over and connect the power adapter (#19) to a wall outlet. Please reset and reset before using the desktop: press and hold the down button for 5 seconds, release it after displaying the RES, the height-adjustable desk will start to run downward to the end and rebound to a certain height, and the minimum height will be displayed after the reset is completed

Note: It must be reset before use, this step may require additional human assistance to flip the table over.



► Controller Description:



△	The up button adjusts the position of the lifting table to run upward
▽	Down button to adjust the position of the standing desk to run downward
1	Position 1, the first height position saved by the user
2	Position 2, the second height position saved by the user
3	Position 3, the third height position saved by the user
Memory position	In the altitude display interface, press the number key to call up its corresponding height. The sit-stand table will automatically run to the corresponding position. On the height display interface, press the S key shortly, and the altitude value will start flashing. At this time, press the number keys (1, 2, 3) to record the current altitude to the corresponding one Location. If there is no number key pressed within 6s of the flashing display, it will exit the memory mode.
reposition	In the "E10, E20" alarm state or after running to the lowest altitude position, Press and hold the down button for 3 seconds, RES (Reset) is displayed, then release, and the table starts to move Run down to the end and bounce to a certain height, and the minimum height is displayed when the reset is completed.
Protection in case of obstruction	"E02" is displayed. The table is vibrating, colliding, or tilting during movement Alarm and stop the movement immediately when it is oblique, and automatically solve the reverse motion after setting the distance remove, or press any key to stop and release during reverse running. should be checked and Make sure that the table does not vibrate significantly, hit obstacles, or occur during operation Tilt and rerun.
Overheating protection	"Hot" is displayed. Continuous long runs may initiate this protection and should be heavy Wait at least 15 minutes for new power-up
Motor abnormal protection	"E10" is displayed. Power should be turned off, re-checked and secured with the motor and controller The connection is reliable and then re-energized
Overload protection	"E20" is displayed. When this alarm occurs when running upwards, the table part should be removed heavy load rerun; If this alarm occurs when running downward, the power should be cut off. Remove some of the heavy objects on the table and power it back on.
Undervoltage protection	"E31" is displayed. Power should be turned off, rechecked and secured with the power supply and controller The connection is reliable and then re-energized
Overvoltage protection	"E32" is displayed. Power should be turned off, rechecked and secured with the power supply and controller The connection is reliable and then re-energized