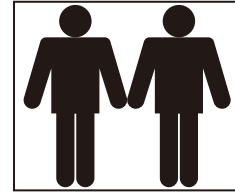


Note:

- 1. Should be assembled on flat ground to keep balance.**
- 2. Before completing the installation, do not tighten the screws.**
- 3. If part is missing or damaged, or you need help with assembly, please do not hesitate to contact us: cpcontacts@163.com**

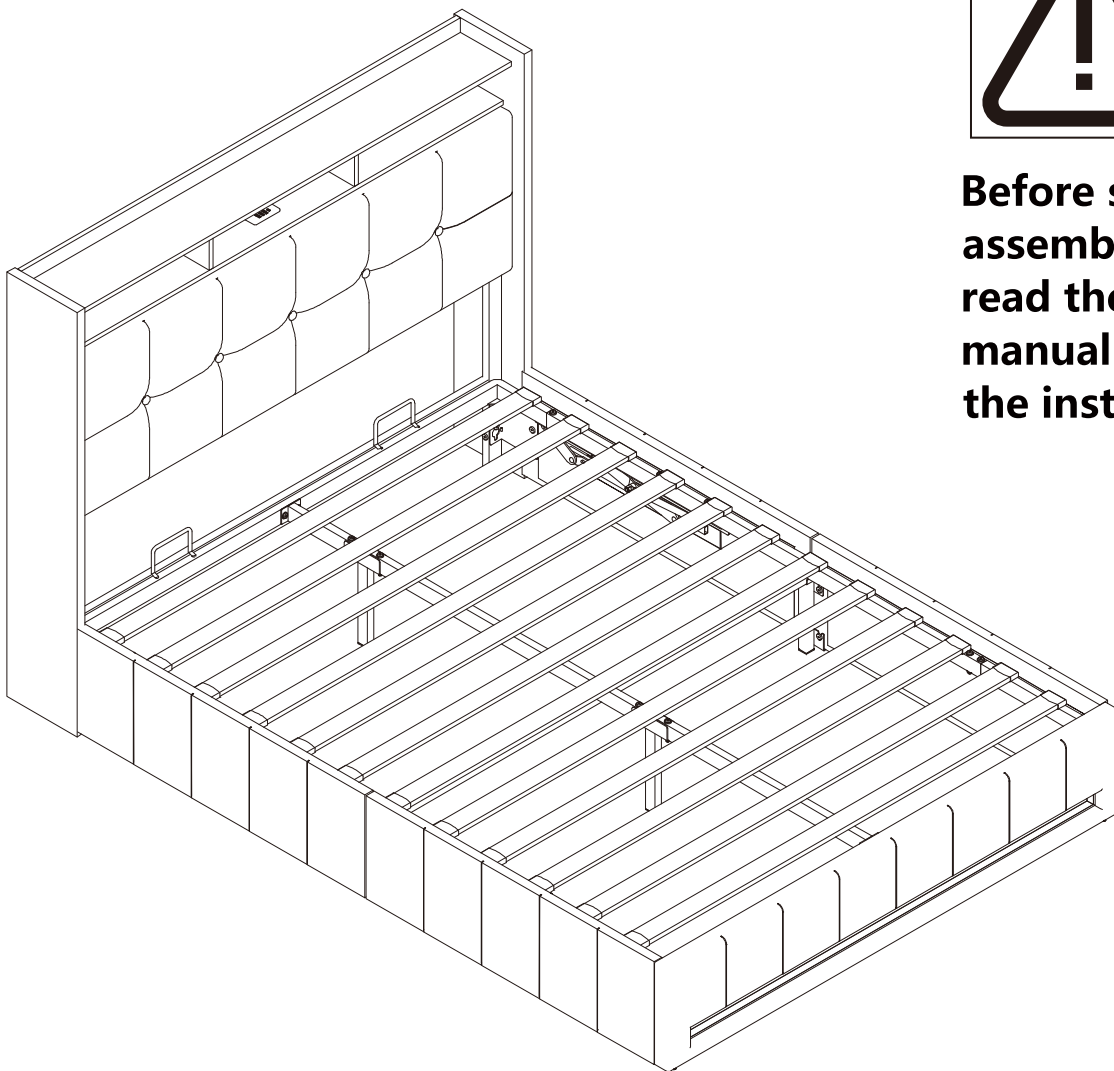


It needs at least two people to install.



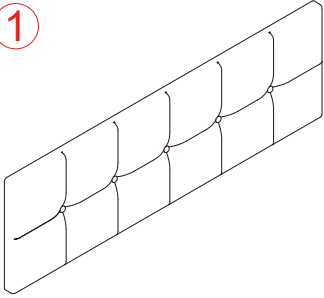
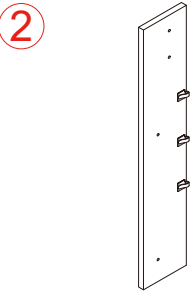
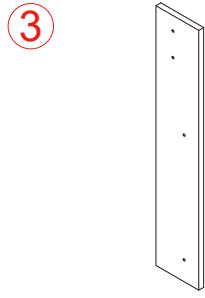
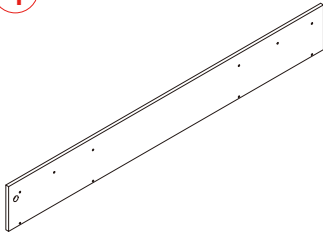
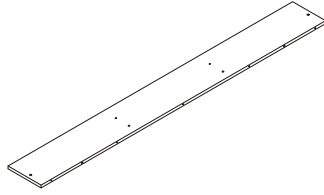
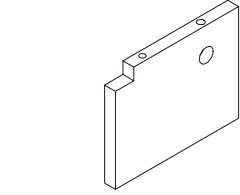
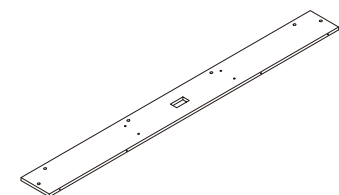

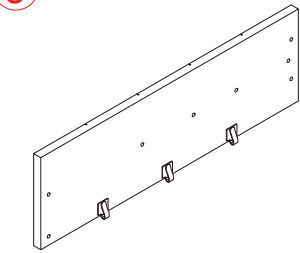
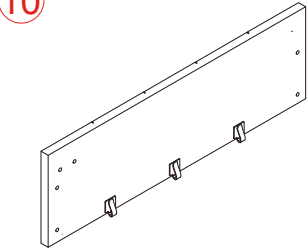
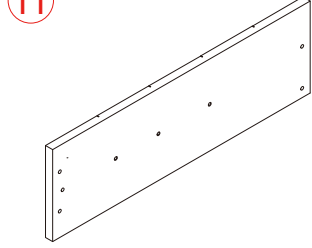
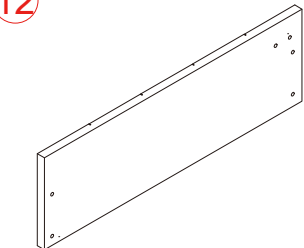
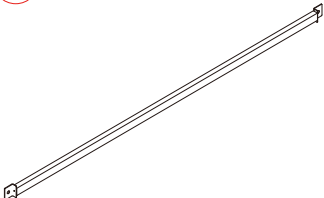
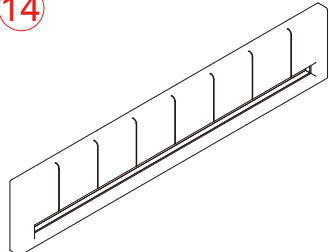
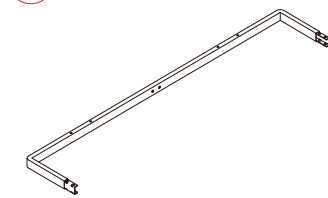
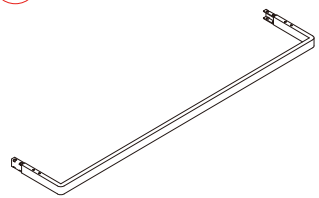
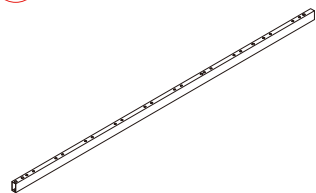
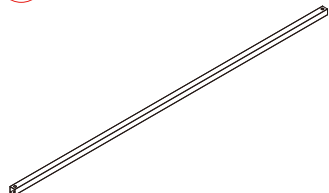
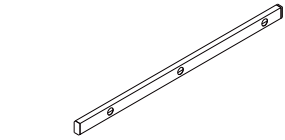
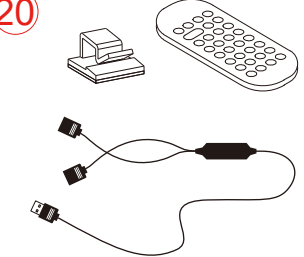
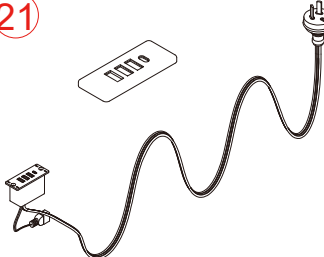
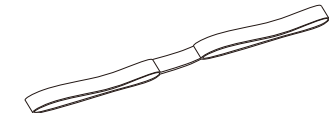
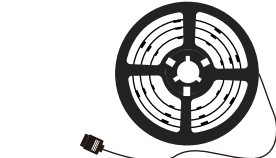
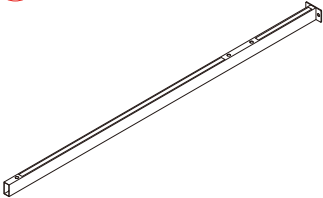
Before starting the assembly, you must read the whole manual and follow the instructions

Full/Queen size



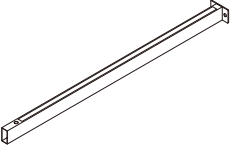
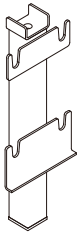
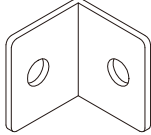
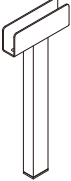

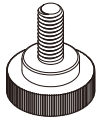
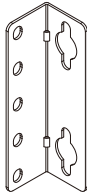

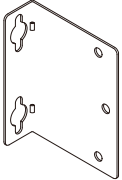
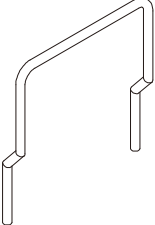
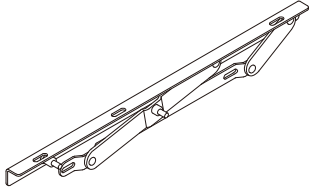
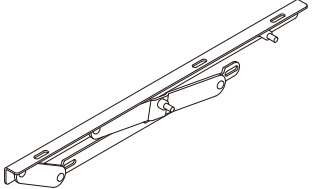
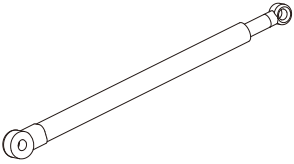
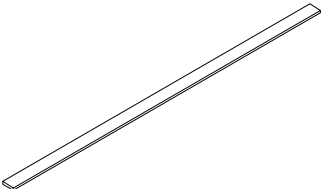
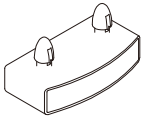


Parts List

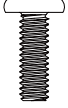



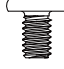

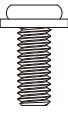





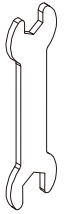


			
	 X2		 X2
			
			
 X2		 X2	
			



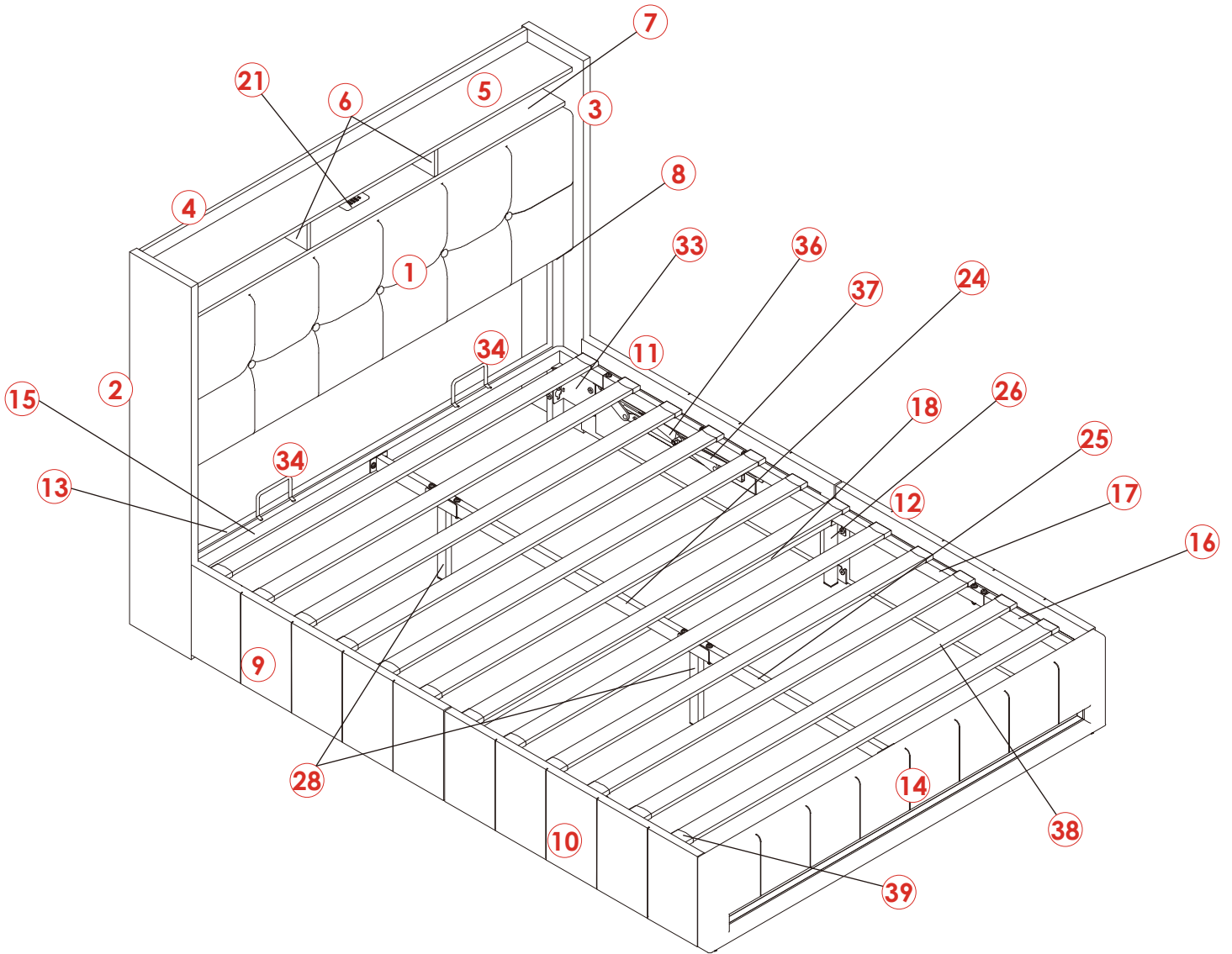
Parts List

<p>25</p>  <p>X2</p>	<p>26</p>  <p>X2</p>	<p>27</p>  <p>X8</p>	<p>28</p>  <p>X2</p>
<p>29</p>  <p>X2</p>	<p>30</p>  <p>X2</p>	<p>31</p>  <p>X2</p>	<p>32</p>  <p>X2</p>
<p>33</p>  <p>X2</p>	<p>34</p>  <p>X2</p>	<p>35</p>  <p>X2</p>	<p>36</p>  <p>X2</p>
<p>37</p>  <p>750N X2</p>	<p>38</p>  <p>X12</p>	<p>39</p>  <p>X24</p>	

Hardware List

A 1/4x19  4 PCS	B M5x35  12 PCS	C 5/16x40  6 PCS	D Ø6x30  4 PCS	E 1/4x10  12 PCS	F 5/16x30  6 PCS
G 5/16x16  40 PCS	H 5/16x55  20 PCS	I M3x10  2 PCS	J 5/16  14 PCS	K Ø15x10  2 PCS	L Ø6x35  2 PCS
M  1 PC	N M4x100  1 PC	O M3  1 PC			

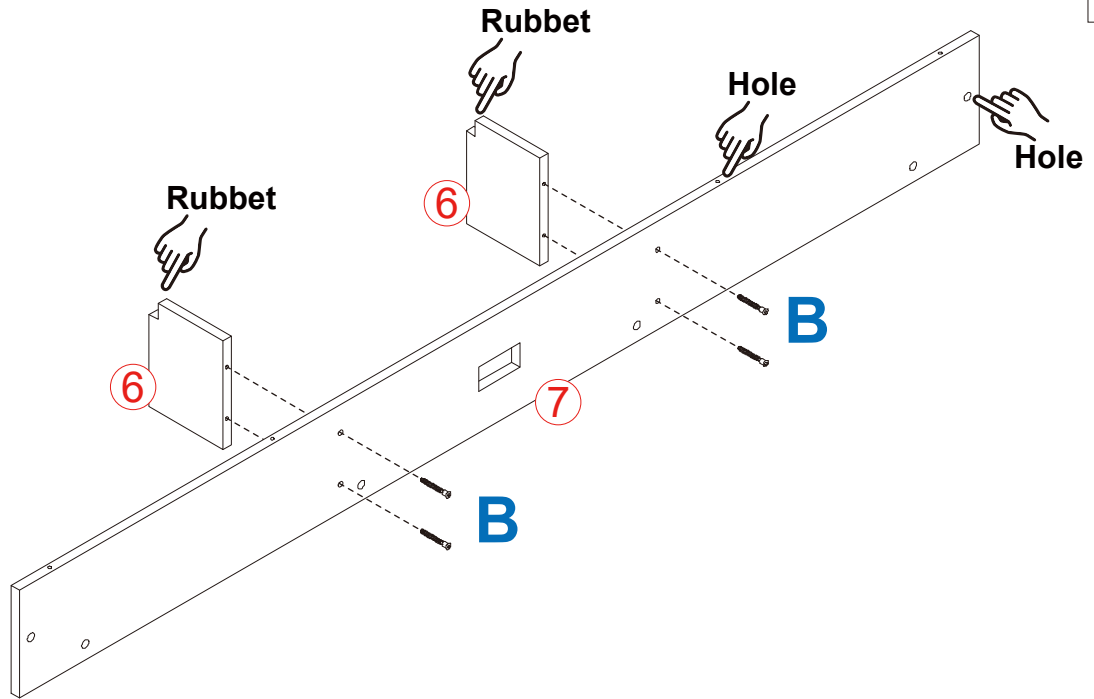
Parts List



Assembly Instruction

P.6

1

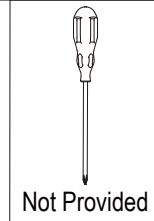
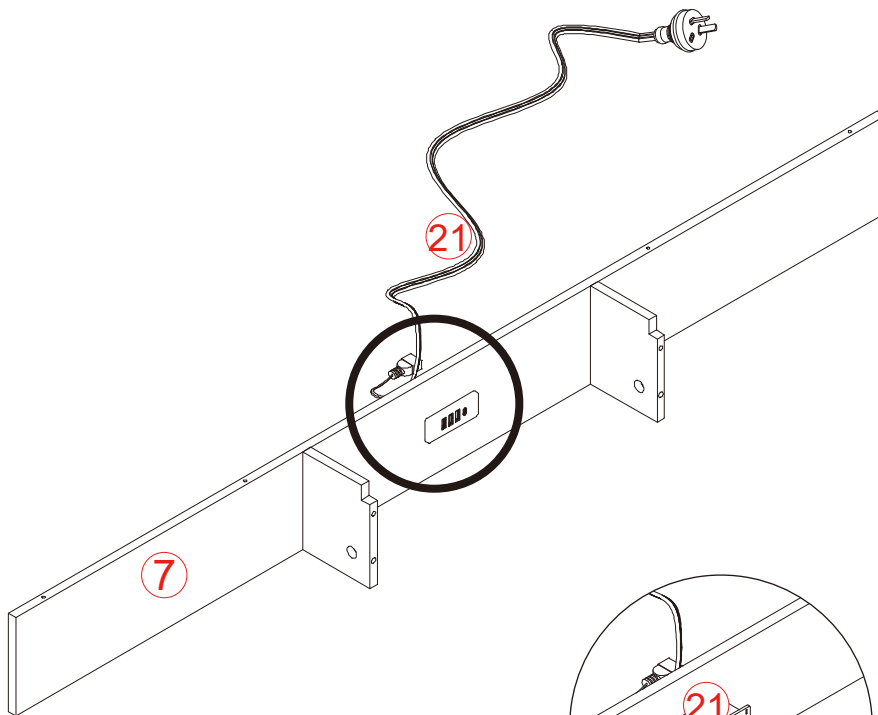


B M5x35



4 PCS

2

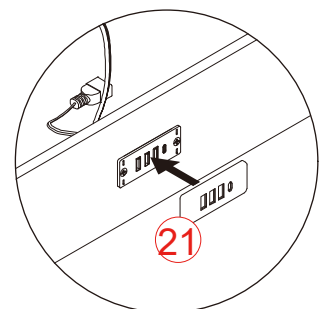
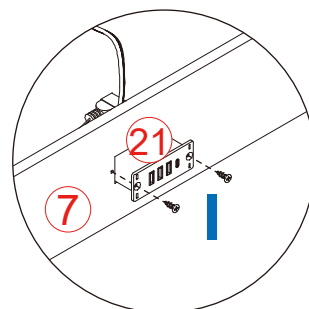


Not Provided

I M3x10

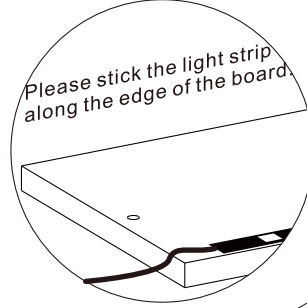
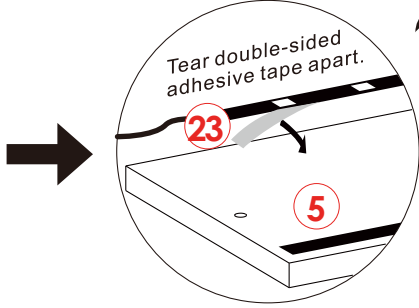
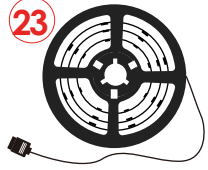


2 PCS



3

23



L Ø6x35



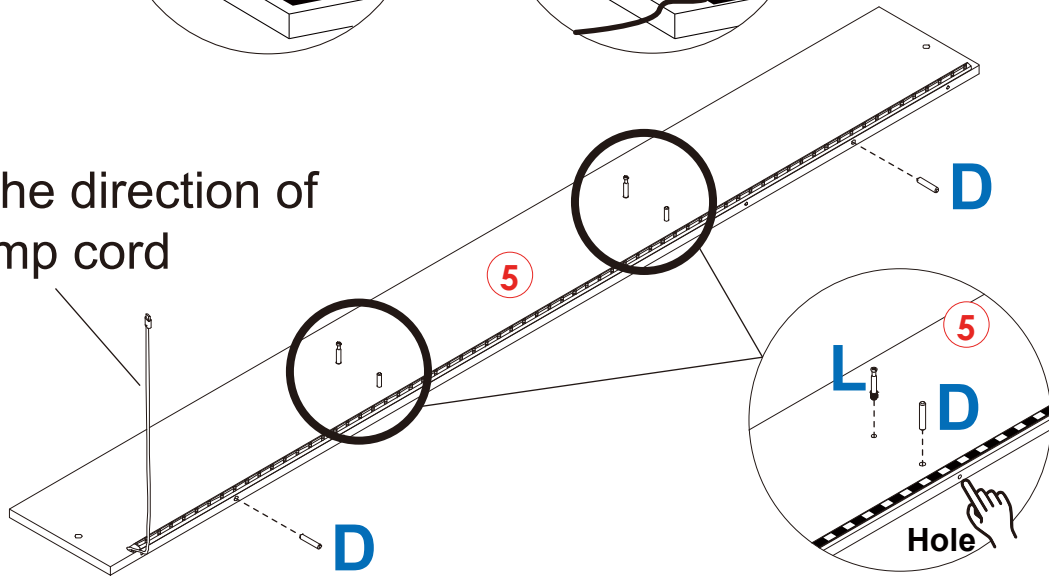
2 PCS

D Ø6x30

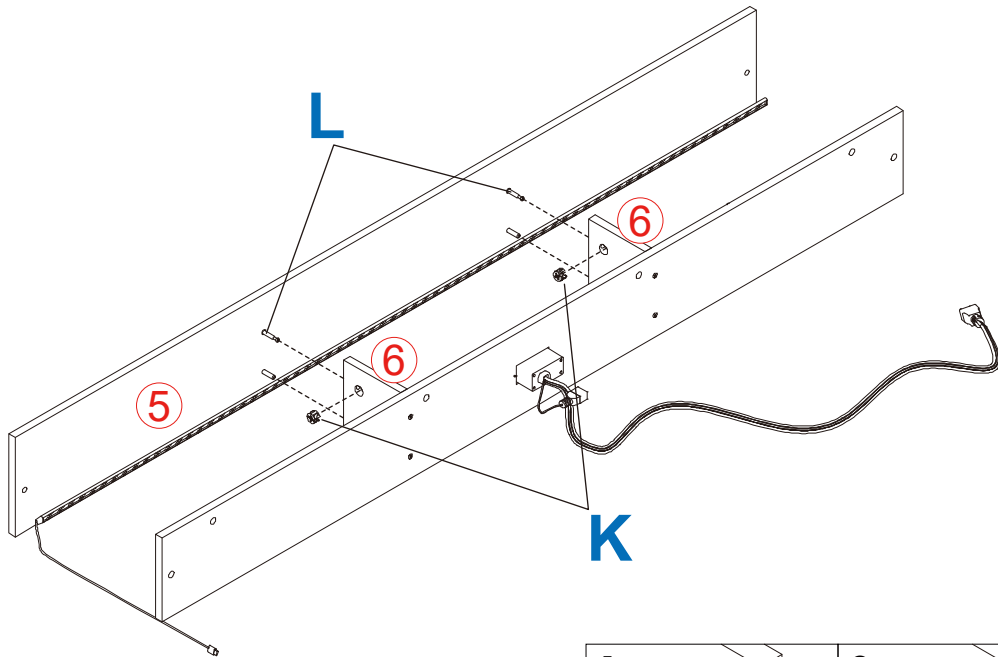


4 PCS

Note the direction of the lamp cord



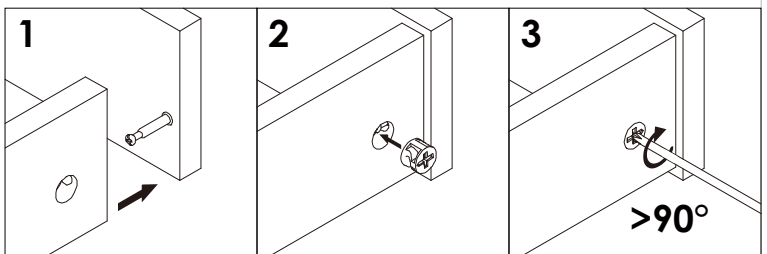
4



K Ø15x10



2 PCS



5

G 5/16x16

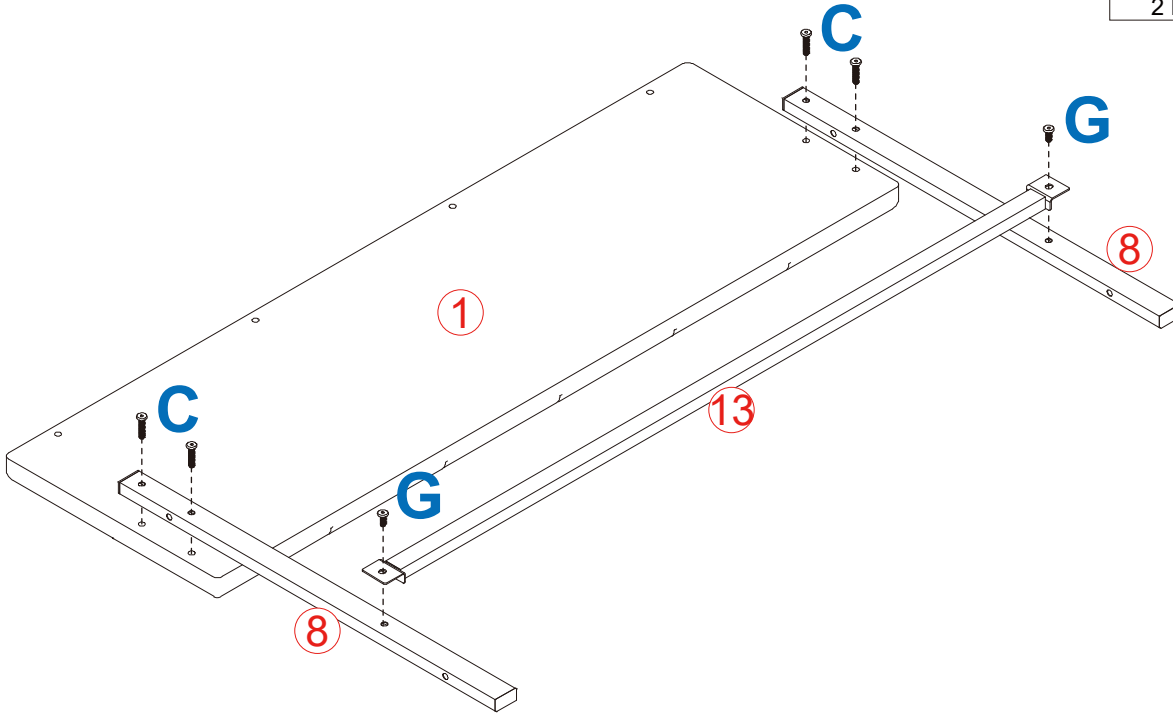
C 5/16x40



2 PCS



4 PCS

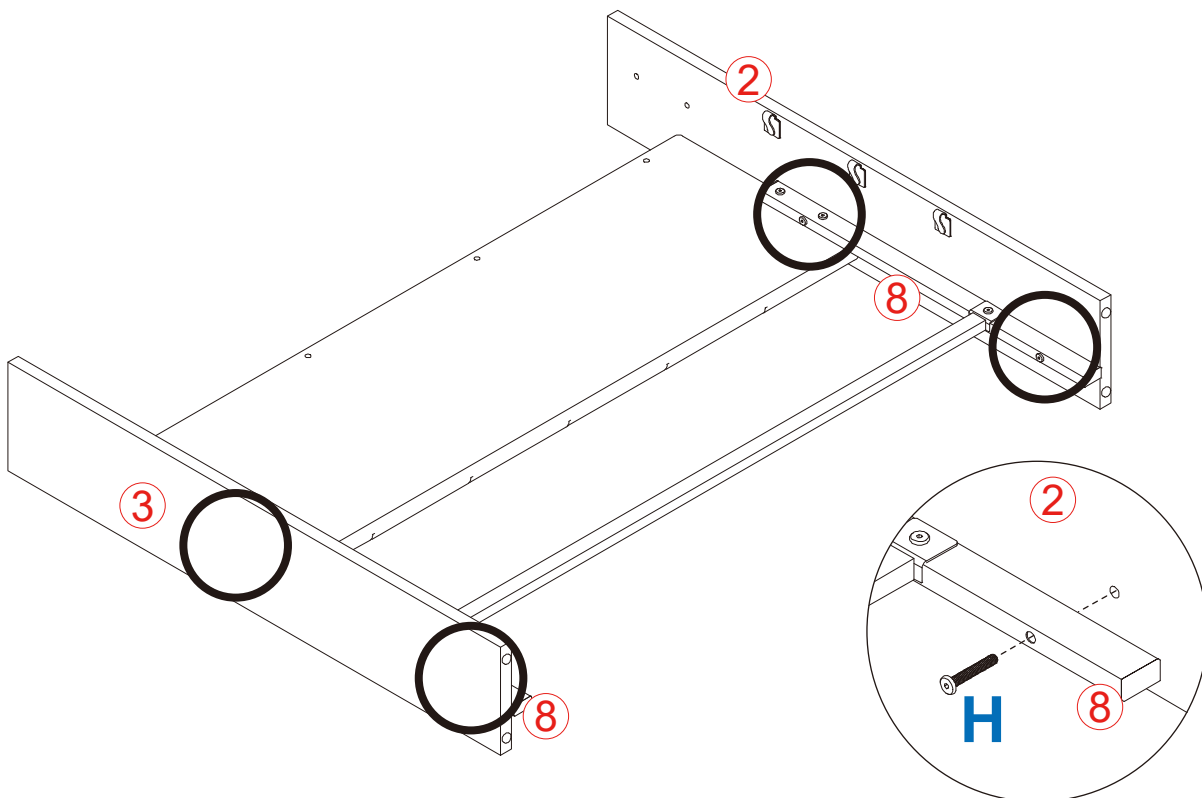


6



H 5/16x55

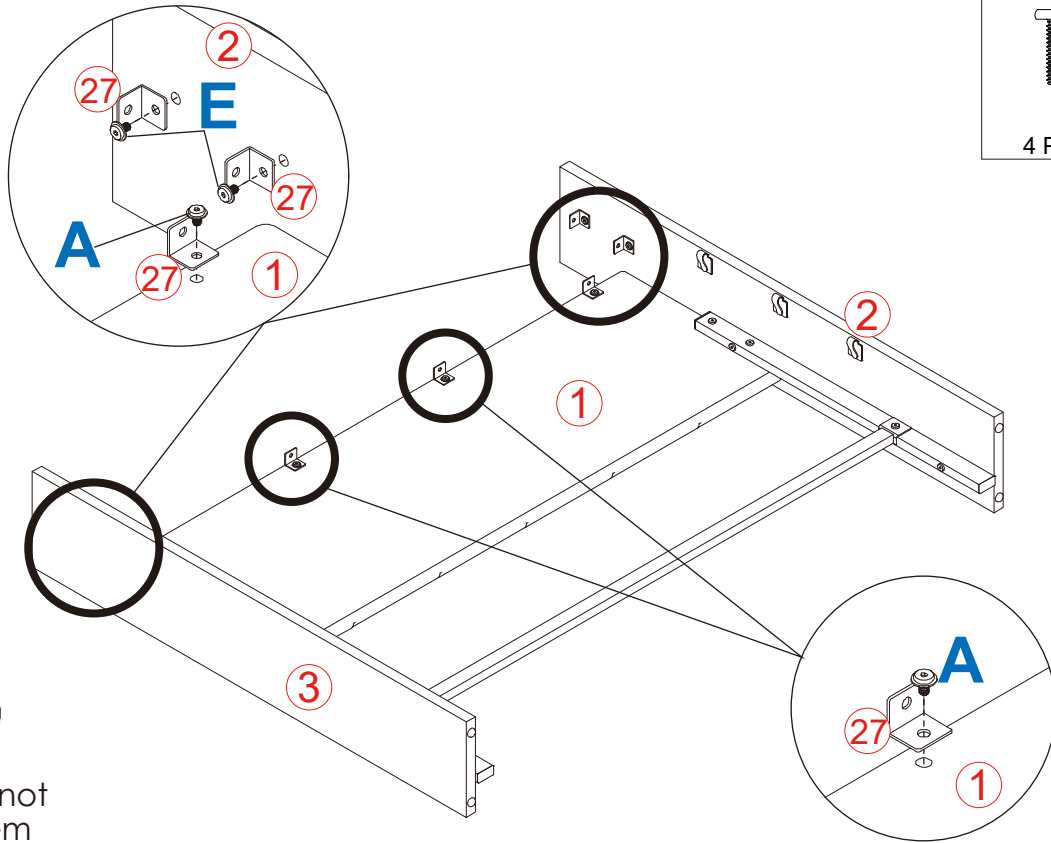


4 PCS




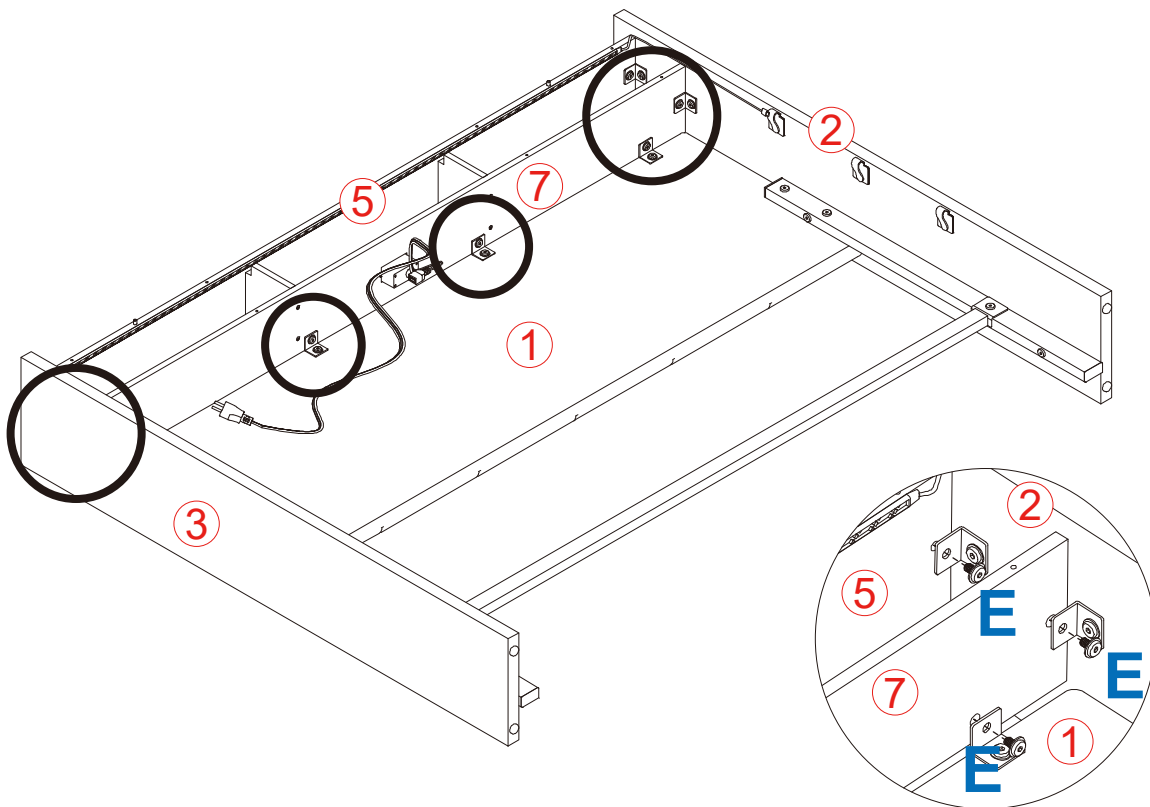
7

A 1/4x16	E 1/4x10
	
4 PCS	4 PCS

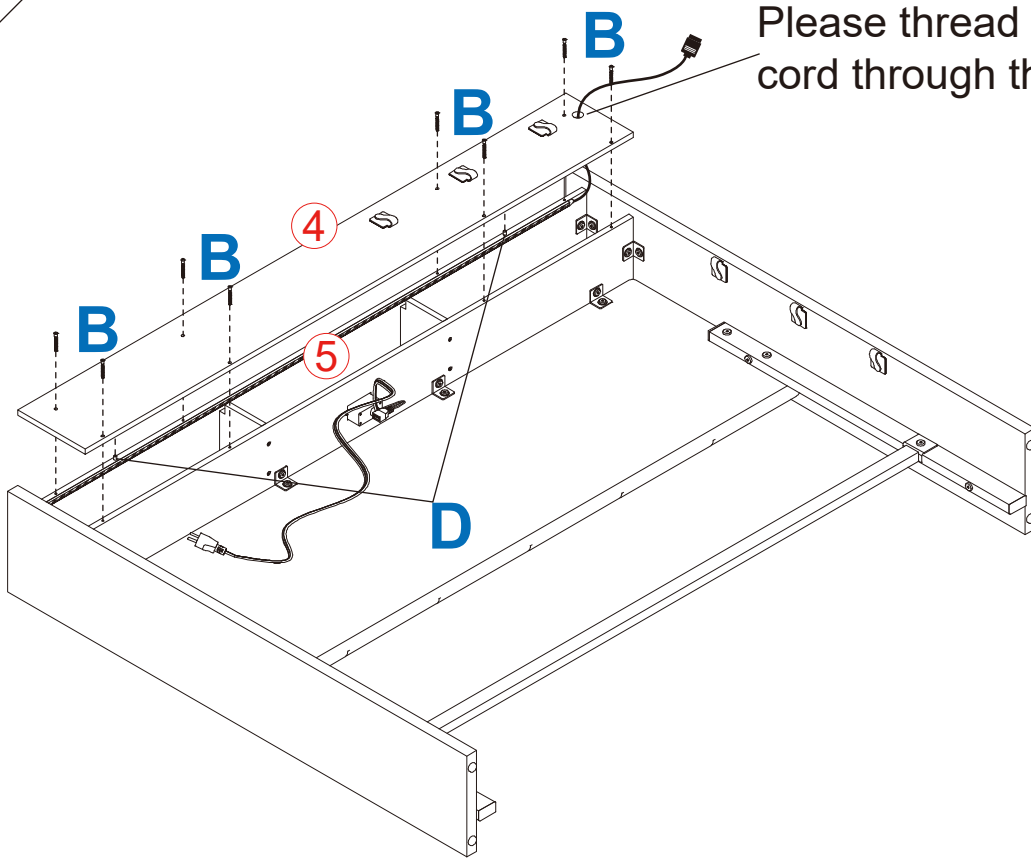


8

E 1/4x10

8 PCS



9



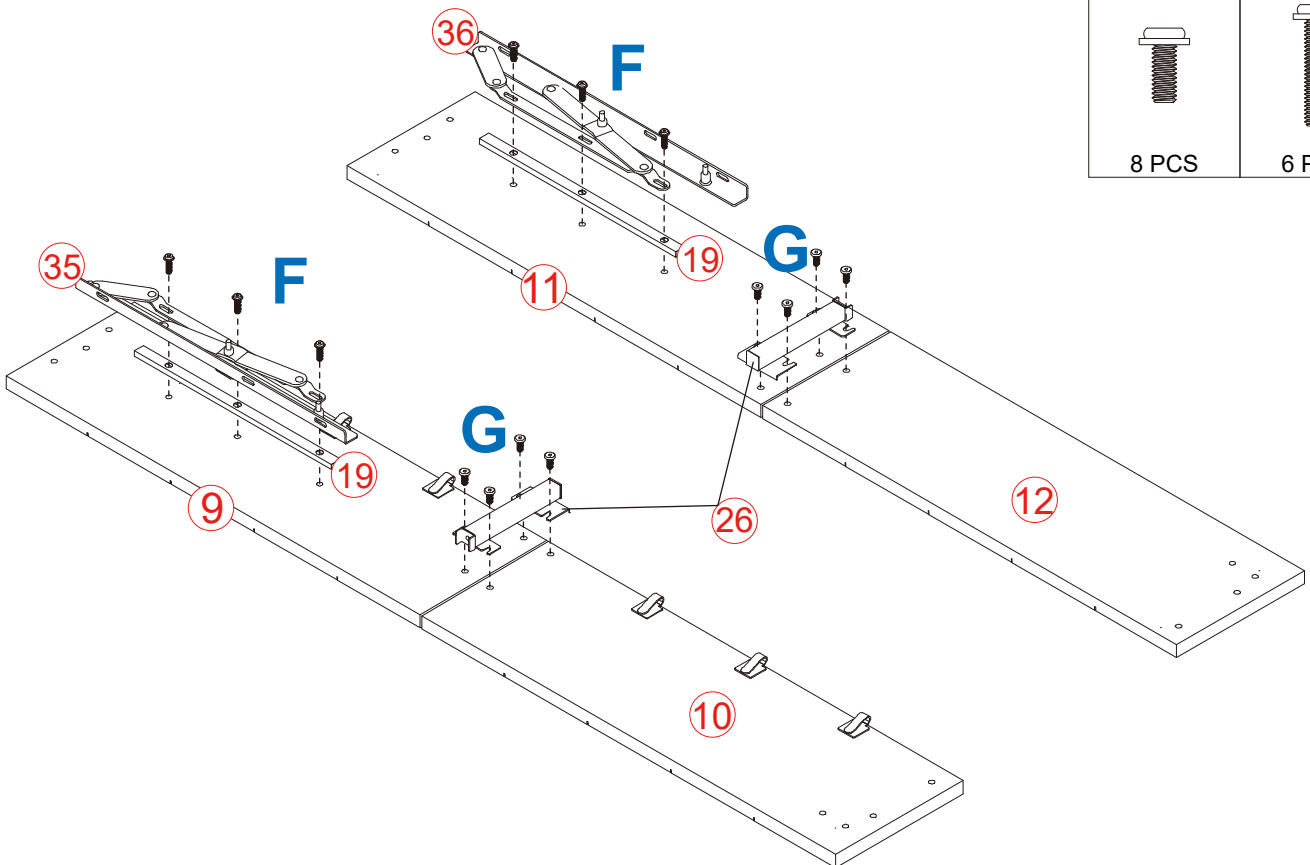
Please thread the lamp cord through the hole.

B M5x35



8 PCS

10



G 5/16x16



8 PCS

F 5/16x30

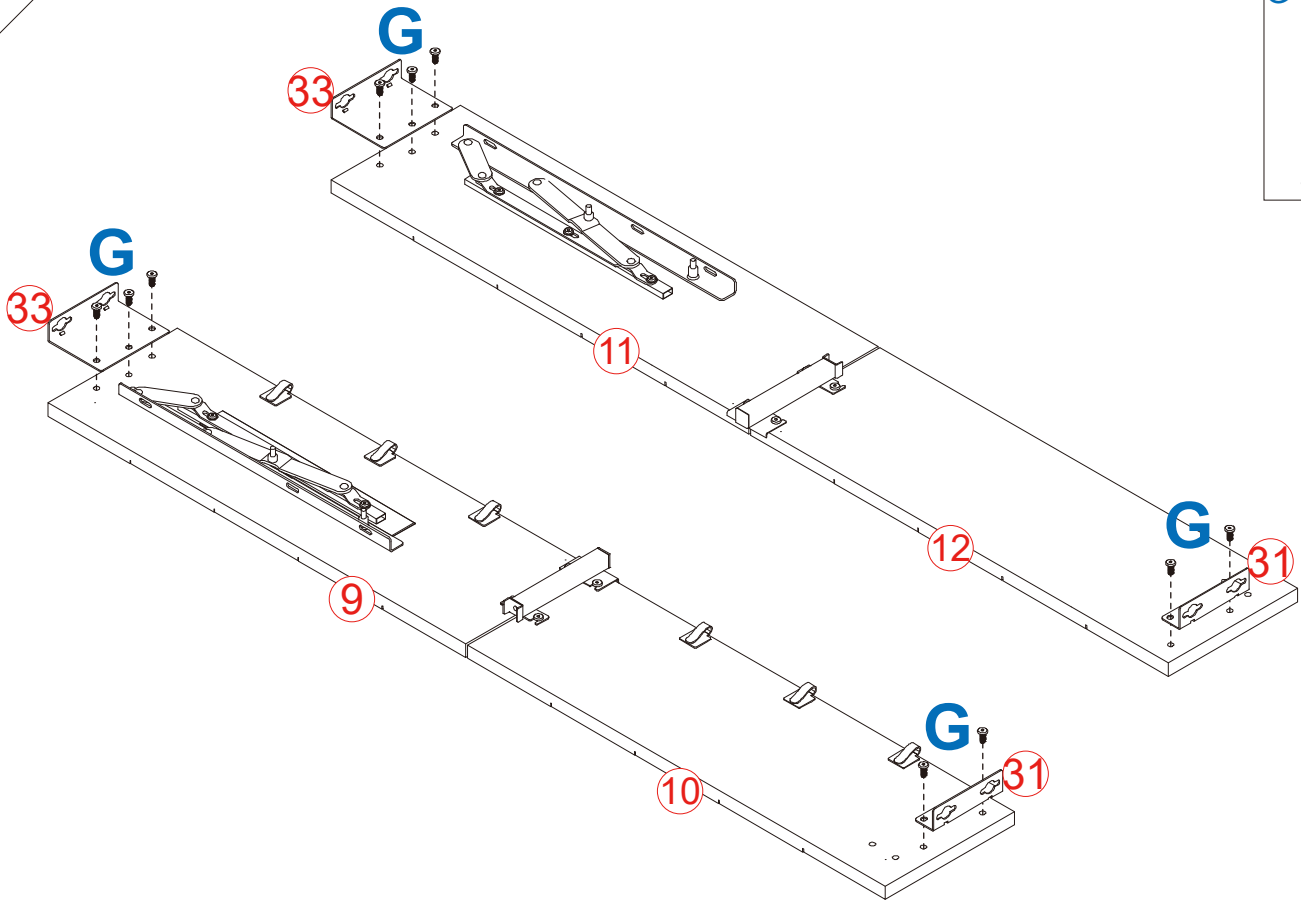


6 PCS

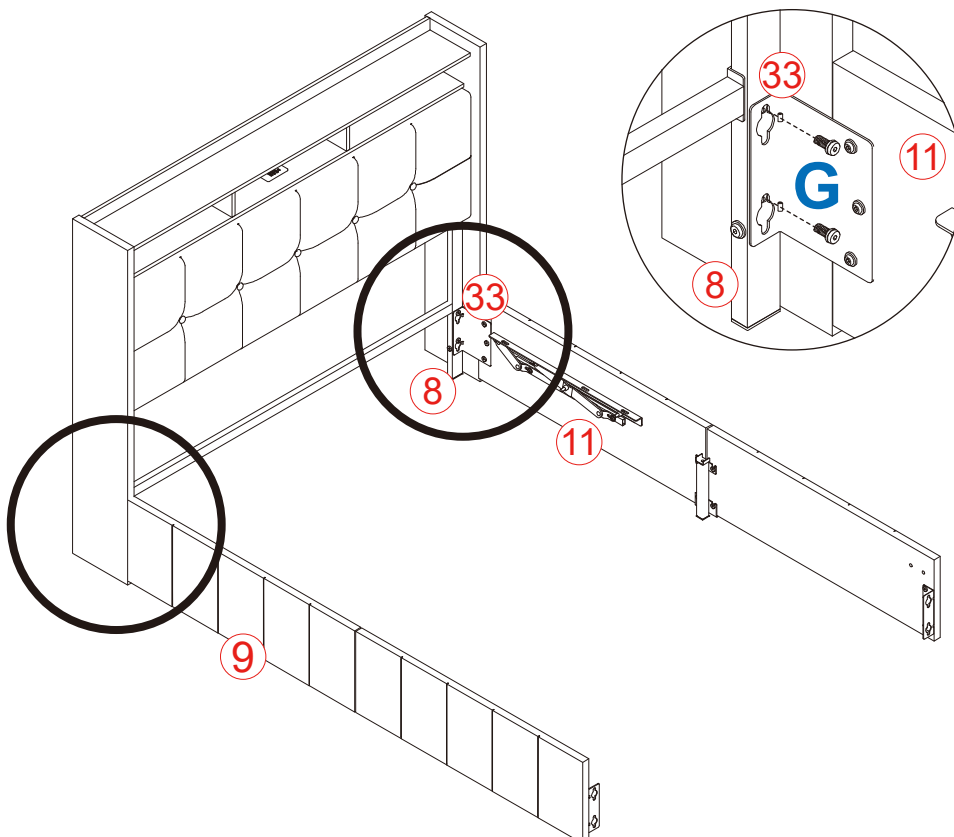
Assembly Instruction

P.11

11



12

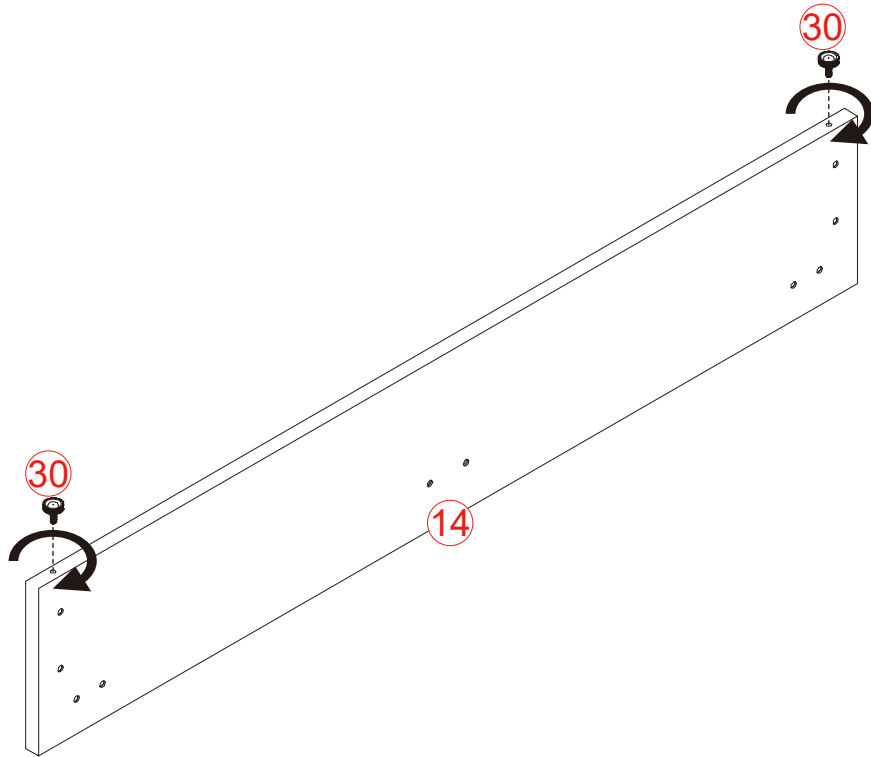


G 5/16x16



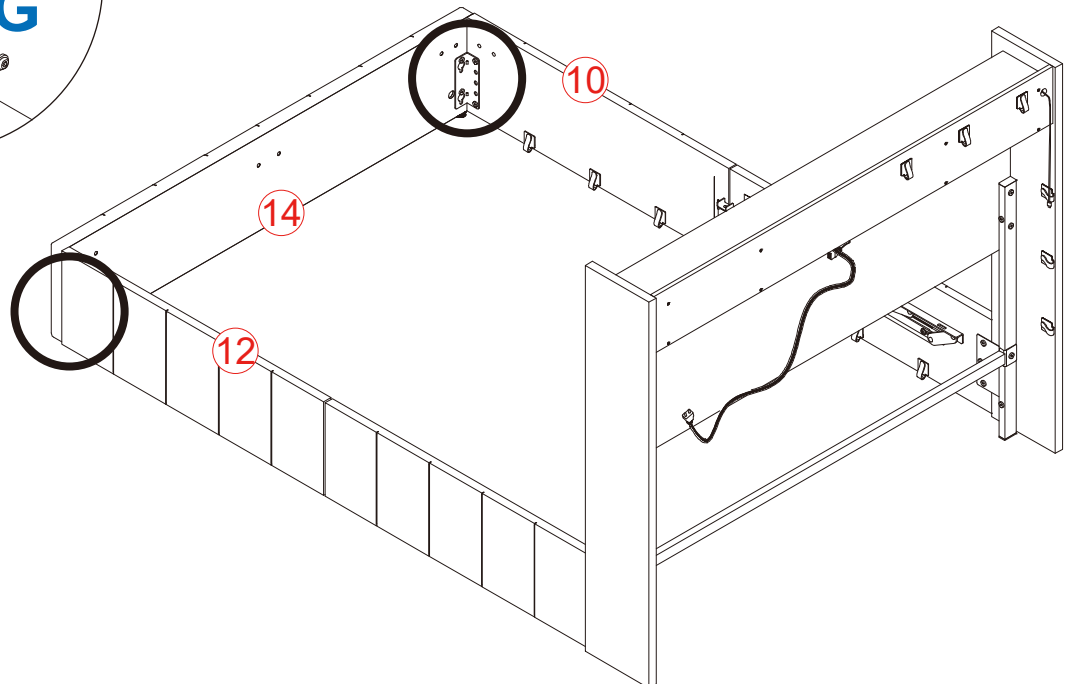
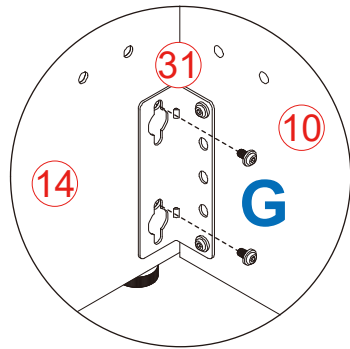
4 PCS

13



14

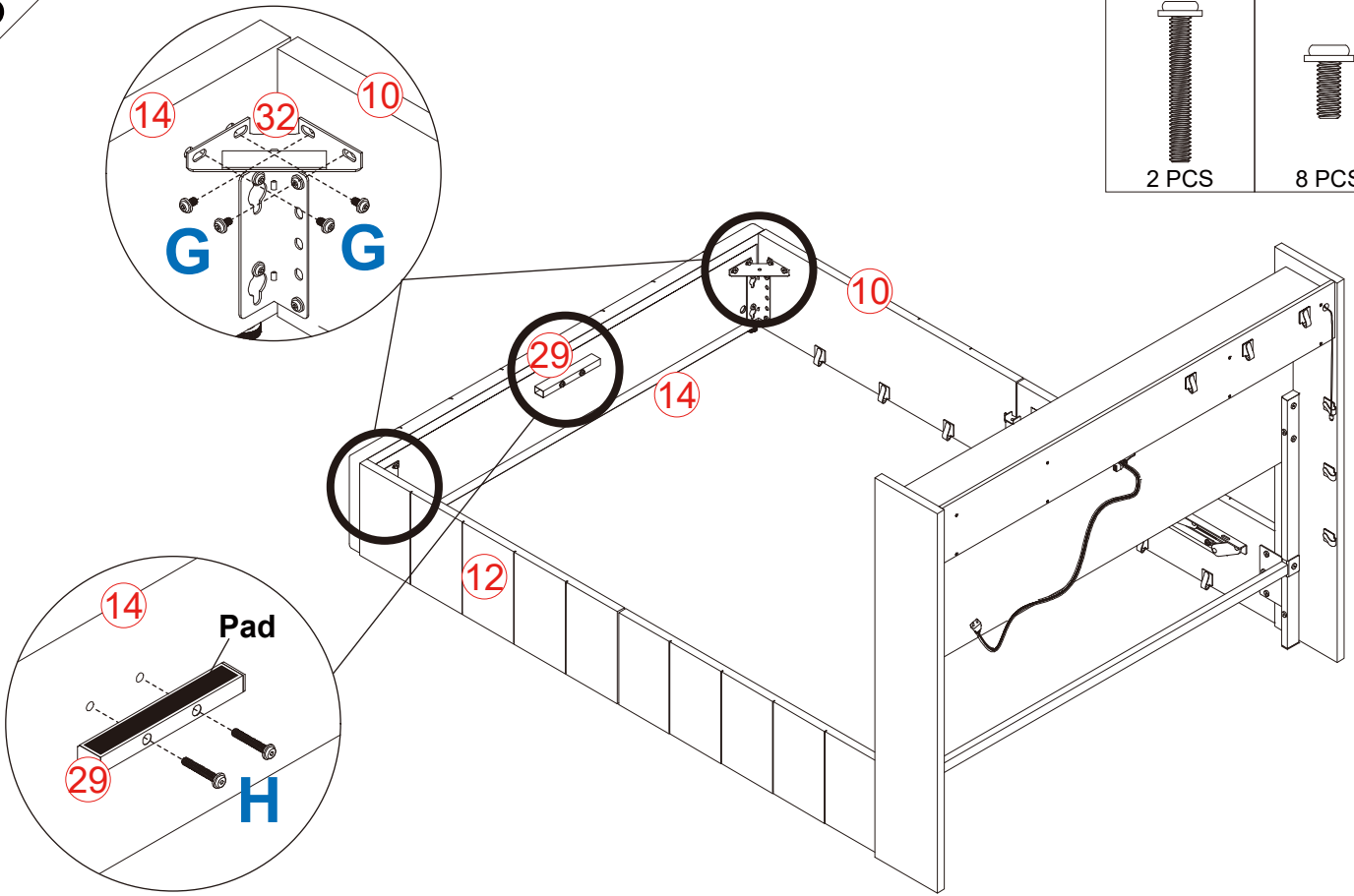
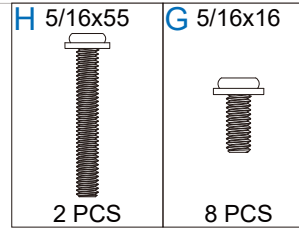
G 5/16x16



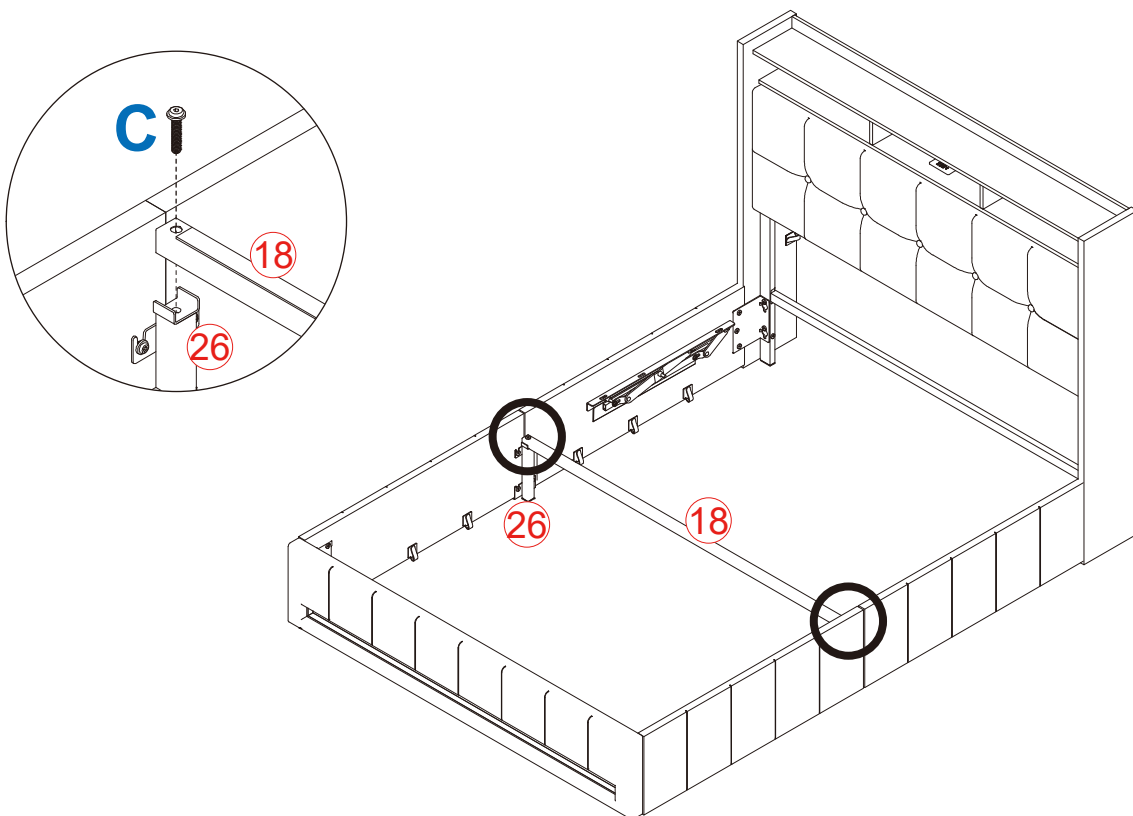
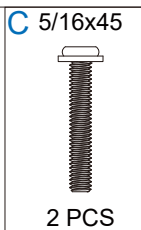
Assembly Instruction

P.13

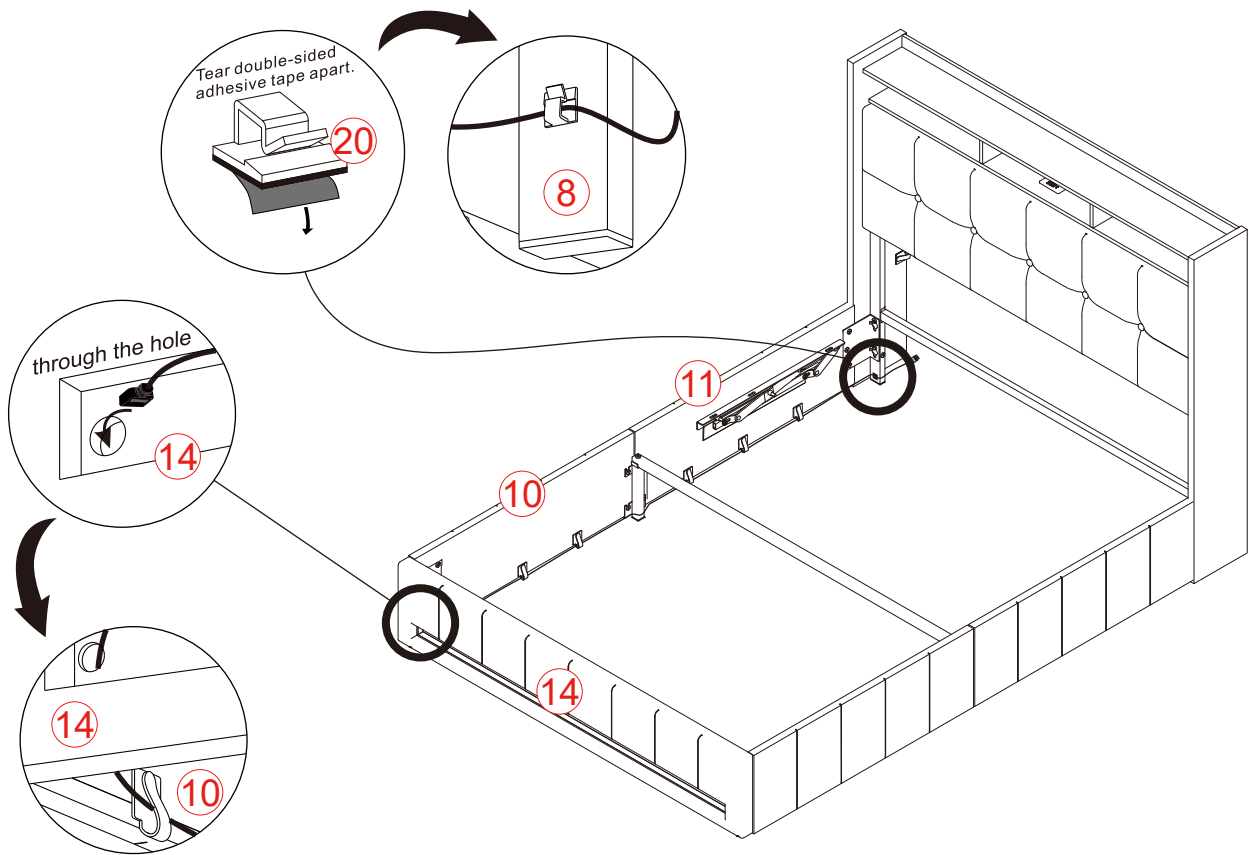
15



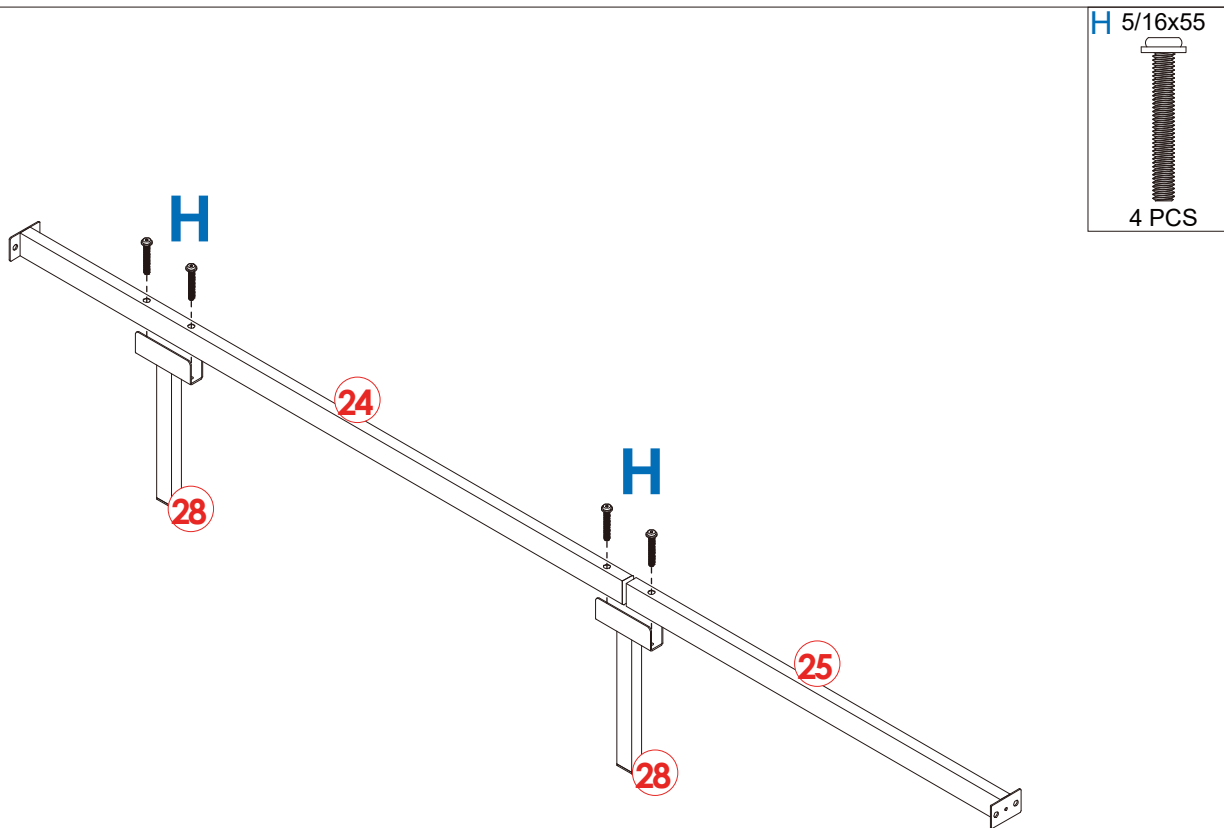
16



17



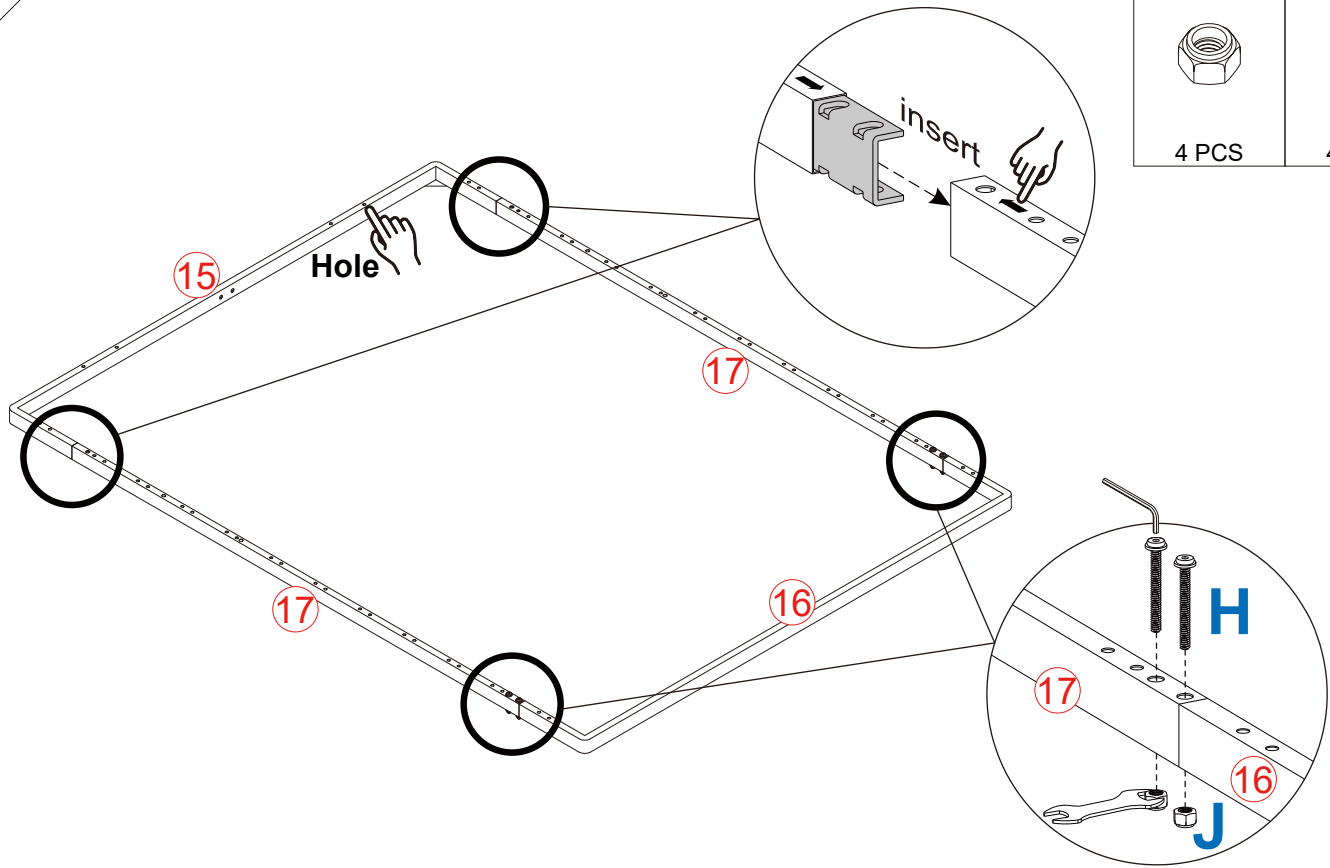
18



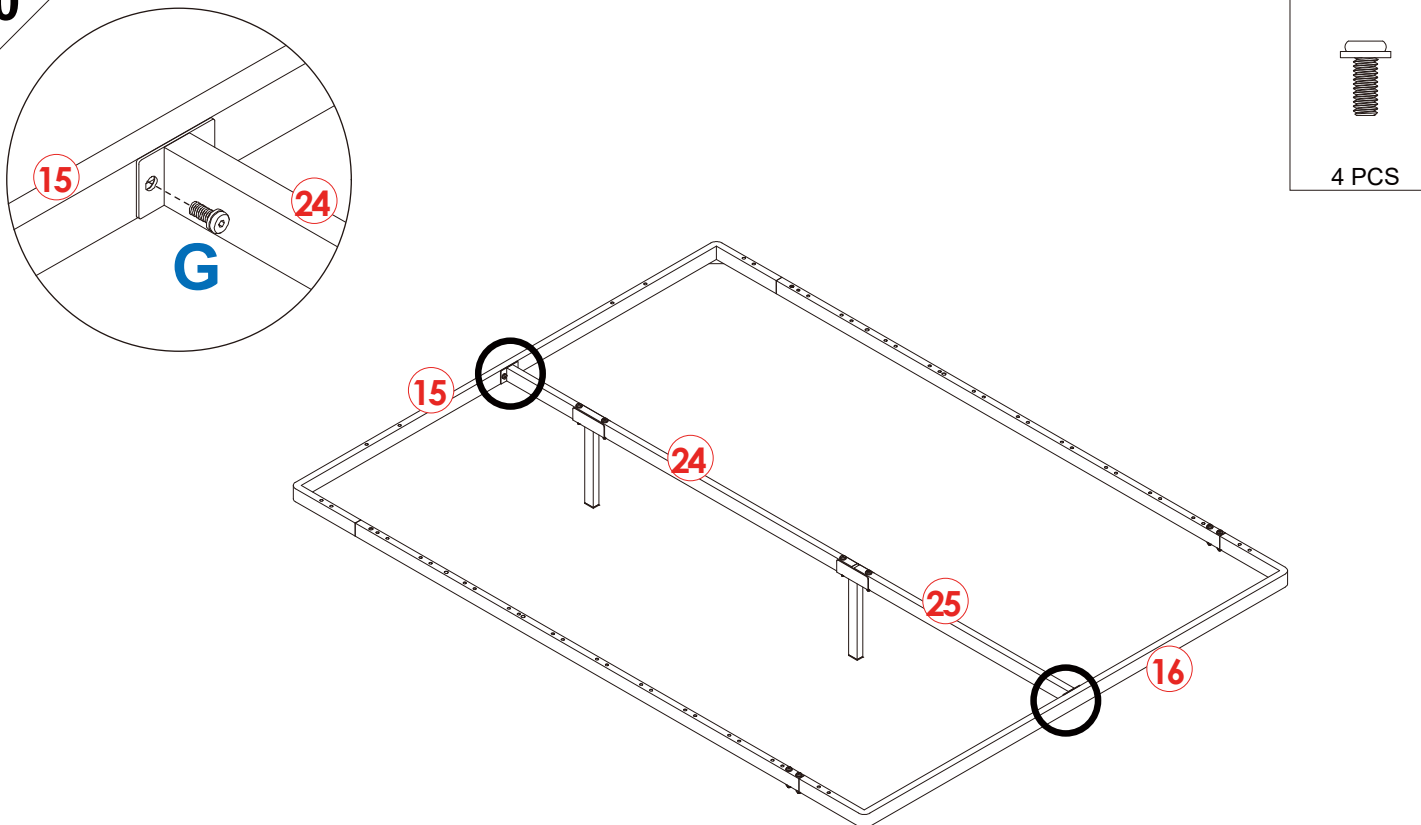
Assembly Instruction

P.15



19

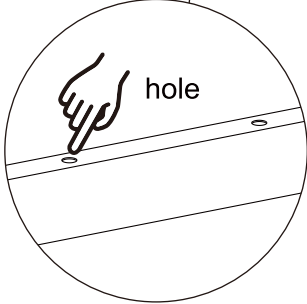
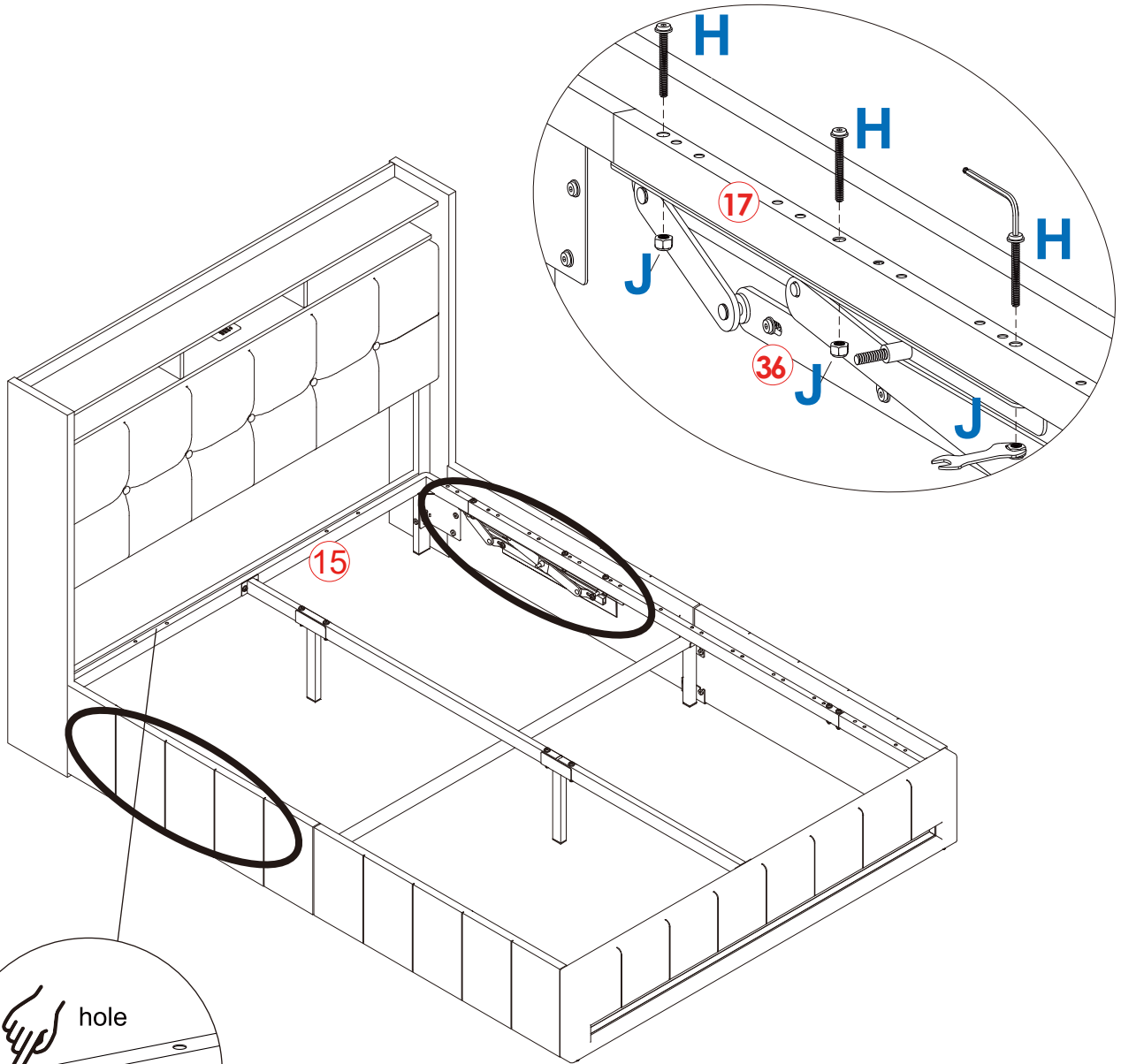


20



21

J 5/16	H 5/16x55
	
6 PCS	6 PCS



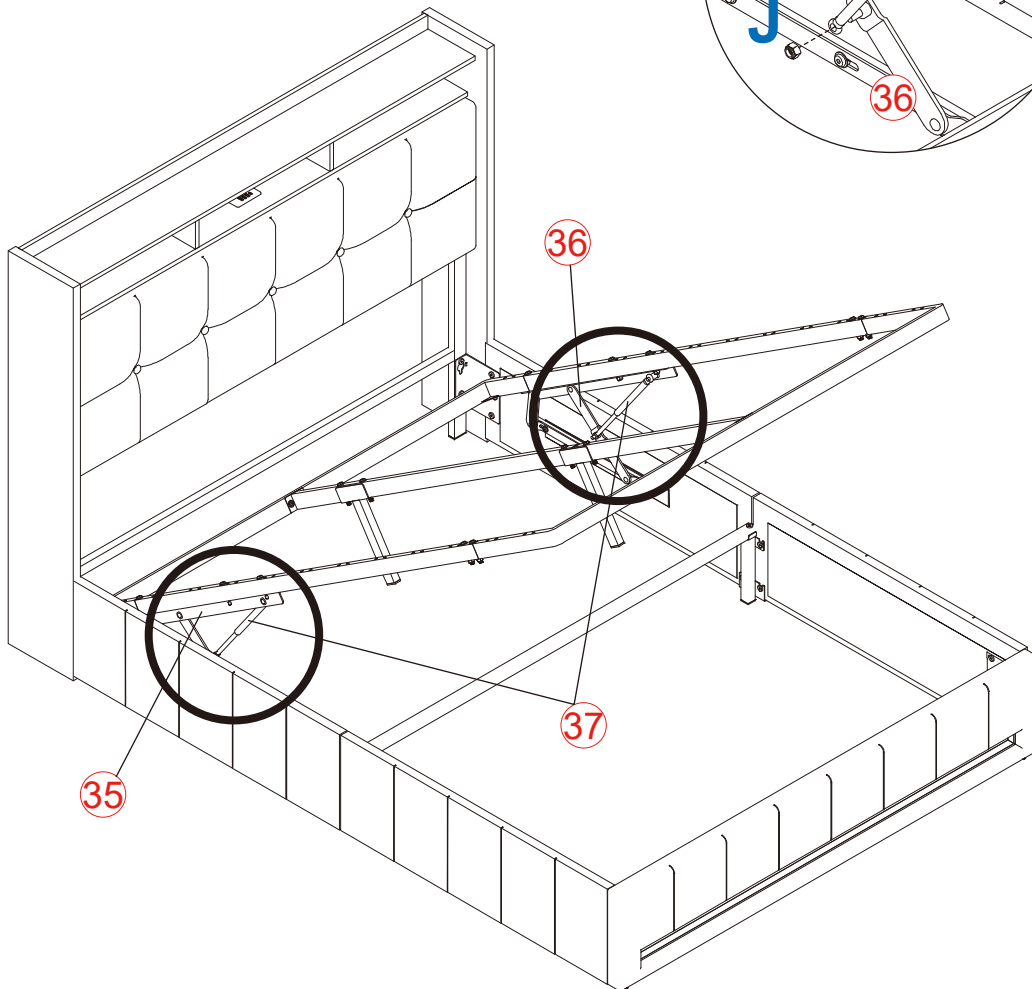
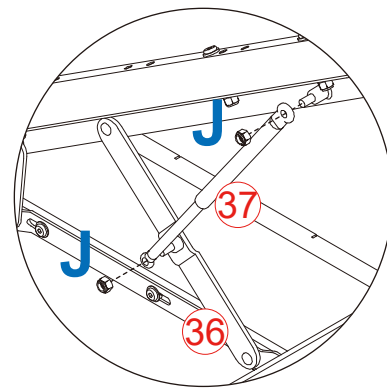
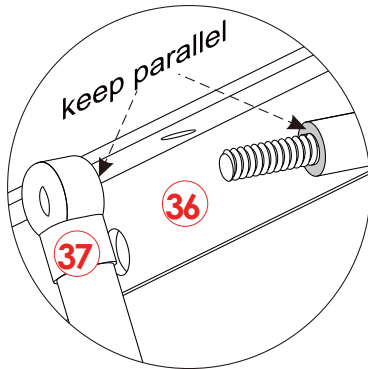
22

J 5/16



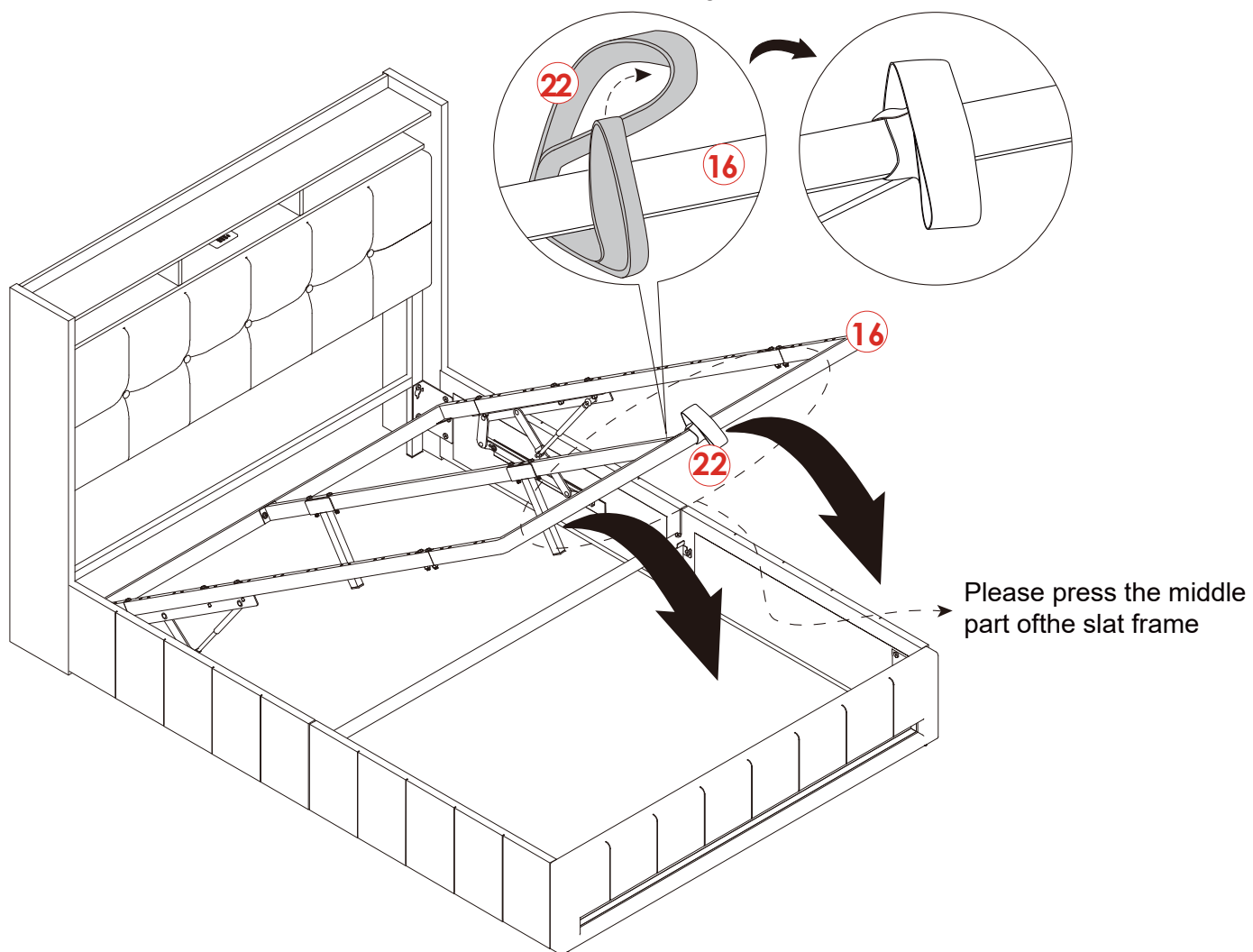
4 PCS

! Please lift the slat frame with your hands while assembling part **37**.



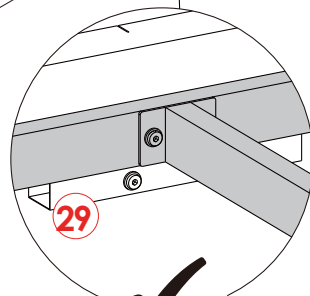
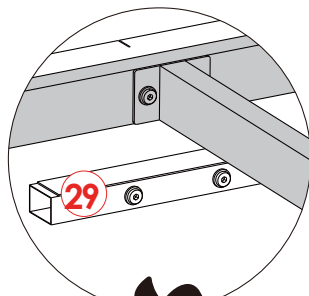
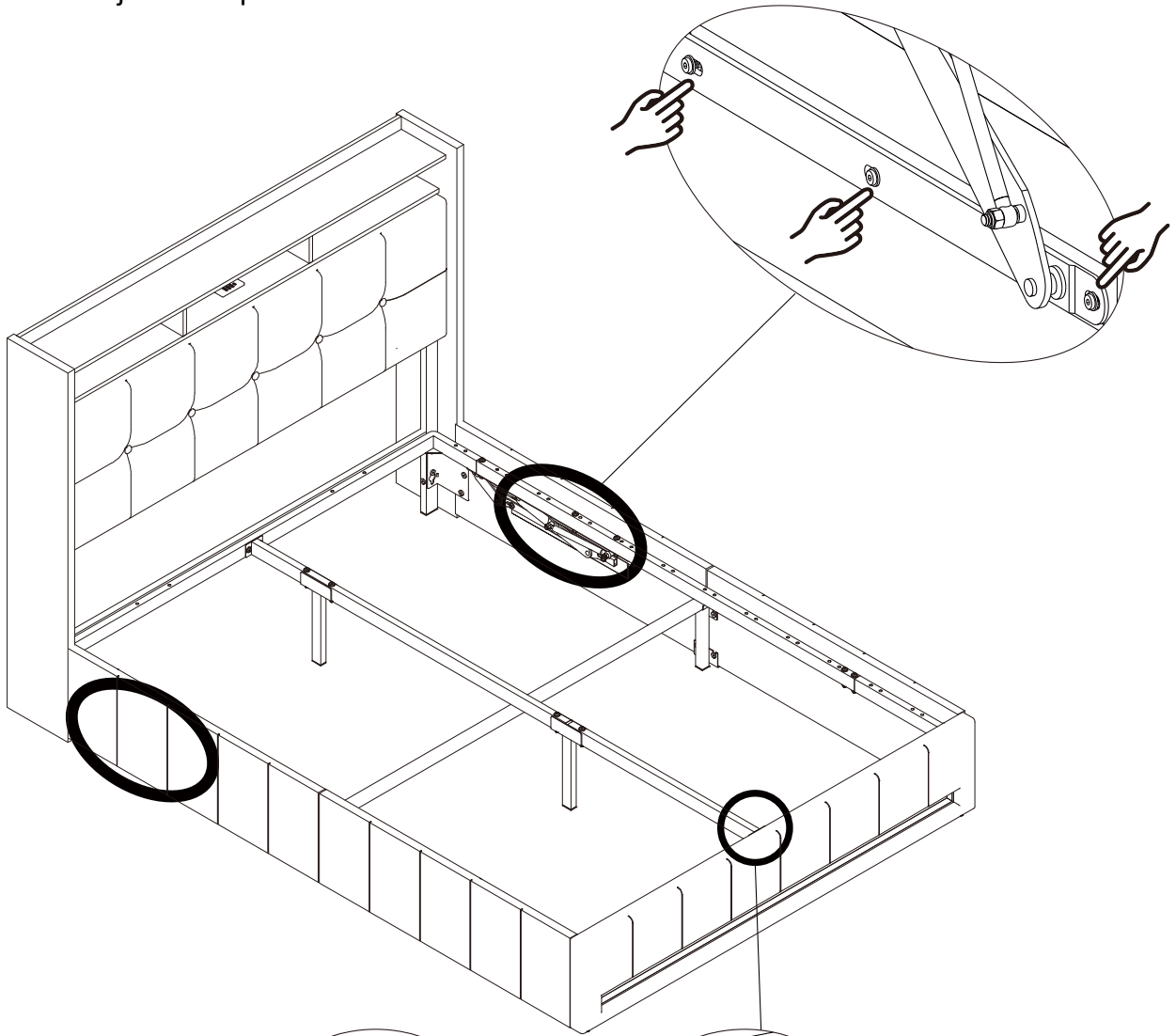
23

Pass one end through the hole



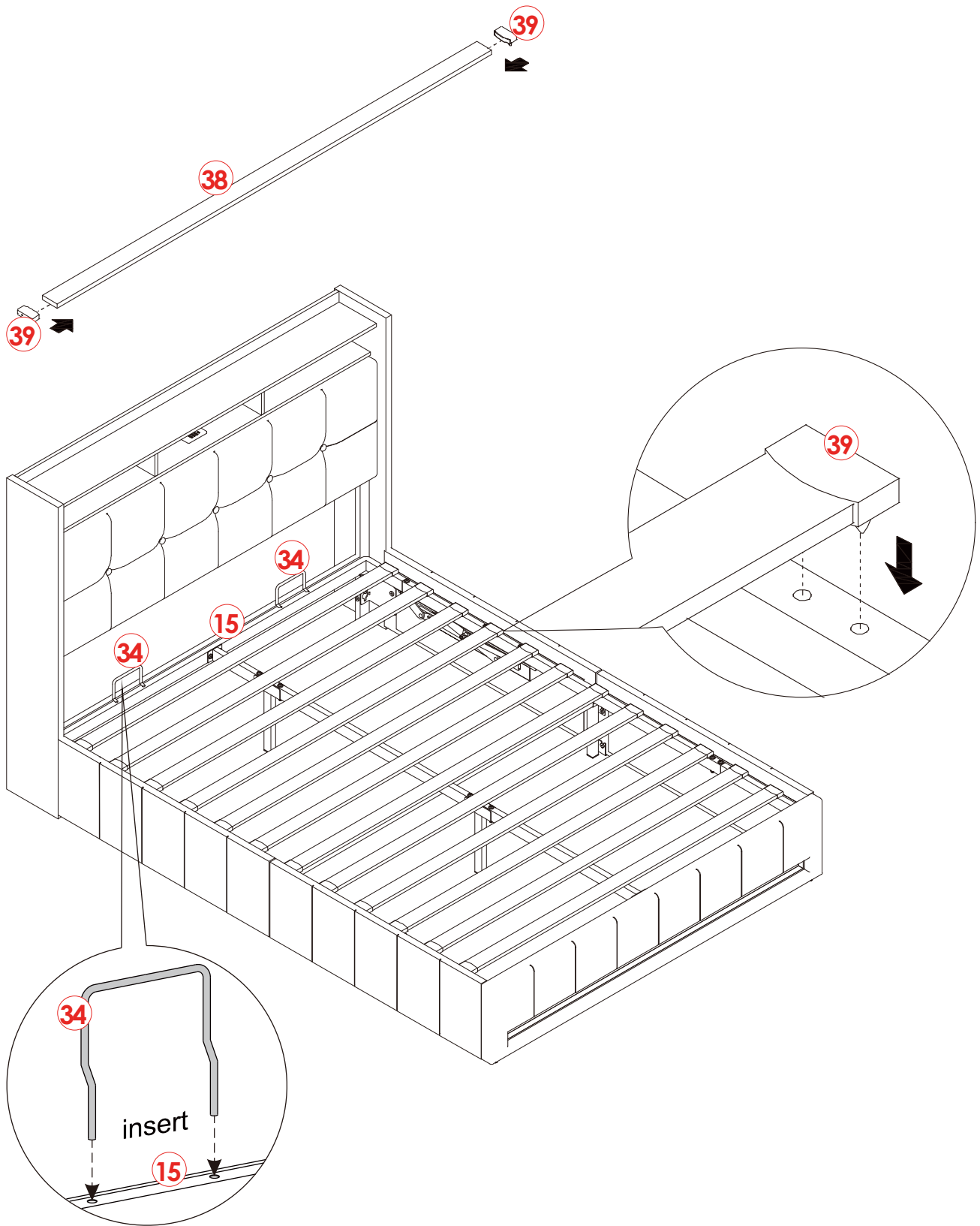
24

Please make sure there is no gap between the slat frame and part 29.
If there is a gap, please loosen the bolts in the picture below and adjust their position.

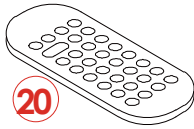


! Please make sure there is no gap between the slat frame and part 29, If there is a gap, please loosen the screws in the picture below and adjust their position.

25



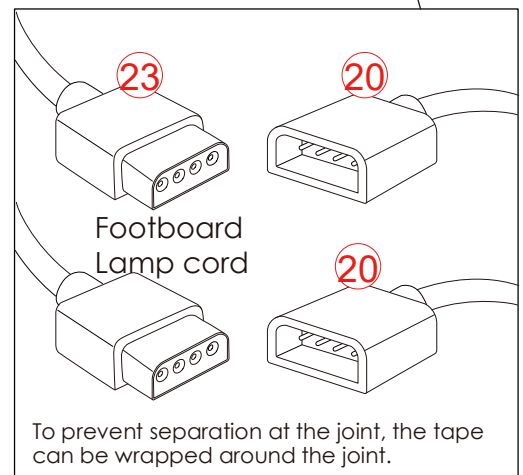
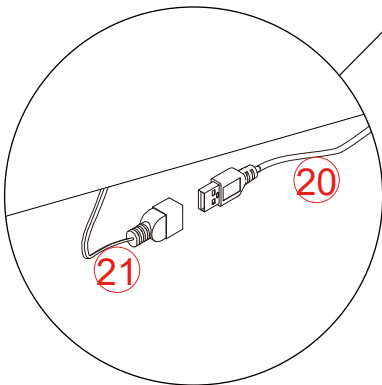
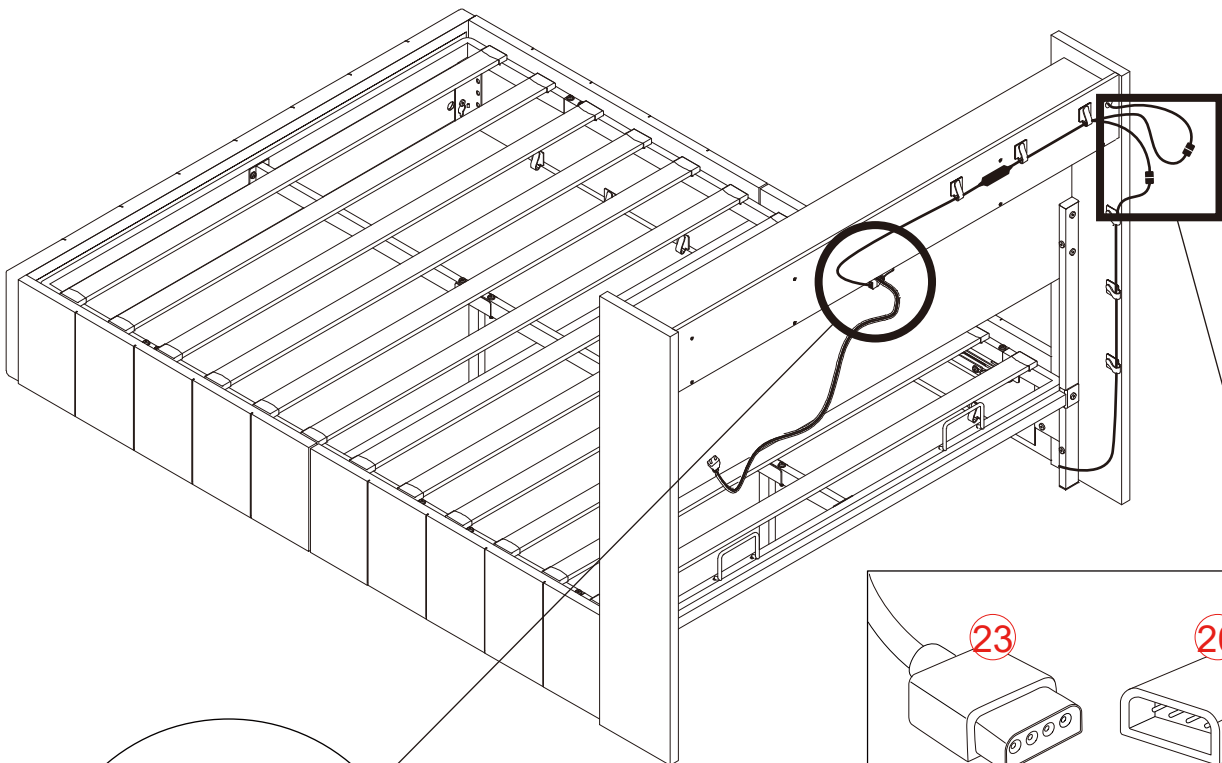
26



20

Remote control

You can use the remote to control the light. The LED lamp can only be used after the power supply is connected.



NOTE: The square part of the receiver 20 needs to be exposed to air in order to better control the LED light.

Please scan the QR code on the manual/controller and install the application.

Step1: Please make sure your phone has Bluetooth enabled.

Step2: The LED light will automatically connect to the APP.

