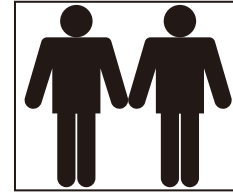


**Note:**

- 1. Should be assembled on flat ground to keep balance.**
- 2. Before completing the installation, do not tighten the screws.**
- 3. If part is missing or damaged, or you need help with assembly, please do not hesitate to contact us: [cpcontacts@163.com](mailto:cpcontacts@163.com)**

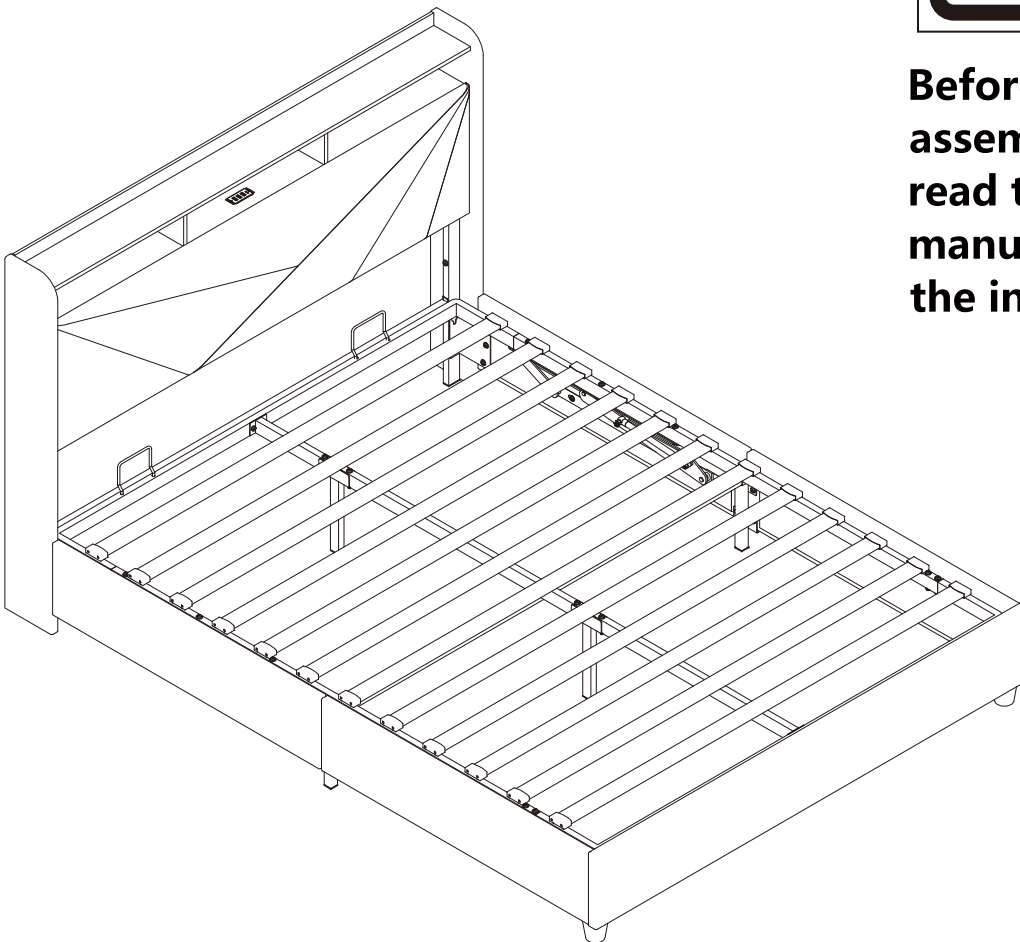


**It needs at least two people to install.**



**Before starting the assembly, you must read the whole manual and follow the instructions**

**Full/Queen size**





# Assembly Instruction

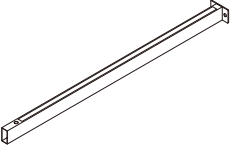
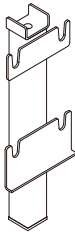
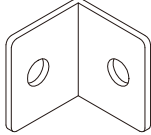
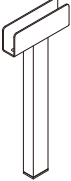


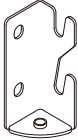
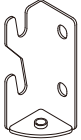
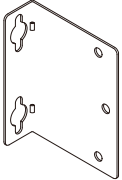
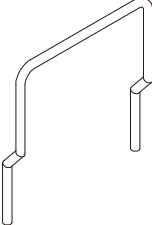
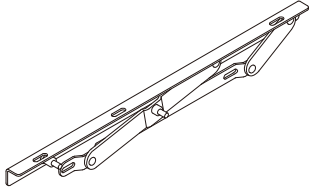
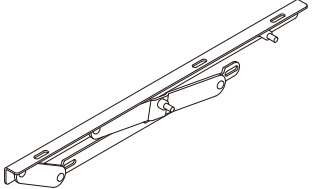
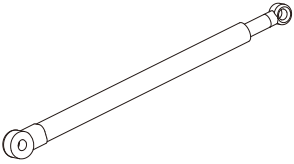
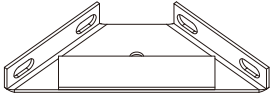
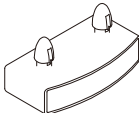
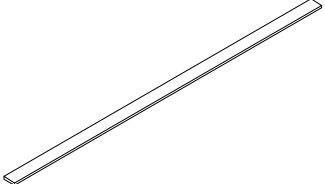
## Parts List

<p>①</p>	<p>②</p>	<p>③</p>	<p>④</p>
<p>⑤</p>	<p>⑥</p>	<p>⑦</p>	<p>⑧</p>
X2			
<p>⑨</p>	<p>⑩</p>	<p>⑪</p>	<p>⑫</p>
<p>⑬</p>	<p>⑭</p>	<p>⑮</p>	<p>⑯</p>
<p>⑰</p>	<p>⑱</p>	<p>⑲</p>	<p>⑳</p>
X2			
X2			
<p>㉑</p>	<p>㉒</p>	<p>㉓</p>	<p>㉔</p>

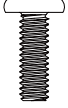



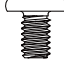

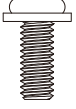








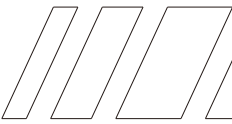
# Assembly Instruction

## Parts List

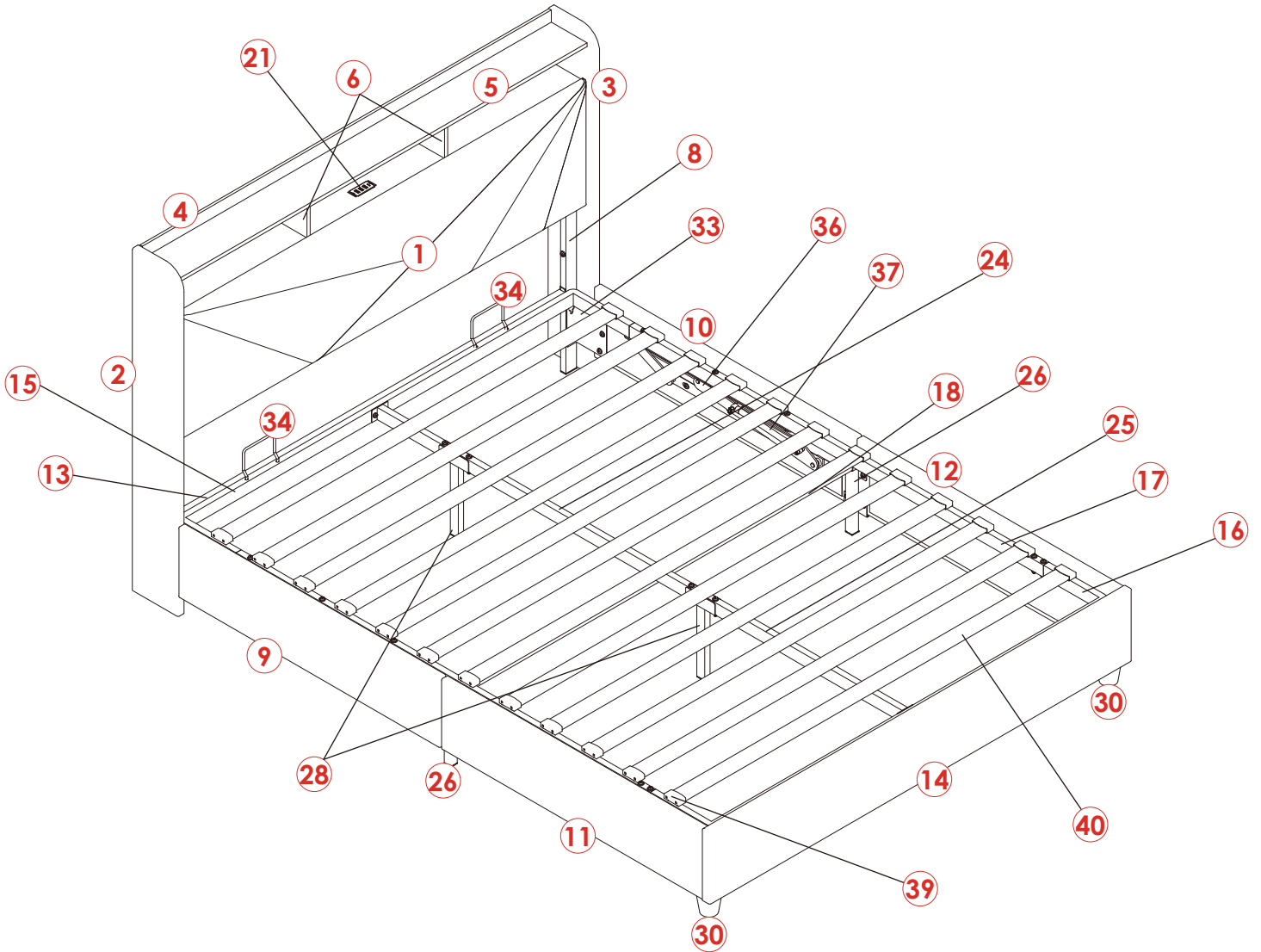
<p>25</p>  <p>X2</p>	<p>26</p>  <p>X2</p>	<p>27</p>  <p>X4</p>	<p>28</p>  <p>X2</p>
<p>29</p>  <p>X2</p>	<p>30</p>  <p>X2</p>	<p>31</p>  <p>X2</p>	<p>32</p>  <p>X2</p>
<p>33</p>  <p>X2</p>	<p>34</p>  <p>X2</p>	<p>35</p>  <p>X24</p>	<p>36</p>  <p>X12</p>
<p>37</p>  <p>750N</p> <p>X2</p>	<p>38</p>  <p>X2</p>	<p>39</p>  <p>X24</p>	<p>40</p>  <p>X12</p>

## Hardware List

<b>A</b> 1/4x16  4 PCS	<b>B</b> M5x35  12 PCS	<b>C</b> 5/16x45  8 PCS	<b>D</b> Ø6x35  4 PCS	<b>E</b> 1/4x10  4 PCS	<b>F</b> 5/16x30  6 PCS
<b>G</b> 5/16x16  40 PCS	<b>H</b> 5/16x55  20 PCS	<b>I</b> M3x10  2 PCS	<b>J</b> 5/16  14 PCS	<b>K</b> M4x100  1 PC	<b>L</b> M3  1 PC
<b>M</b>  1 PC					



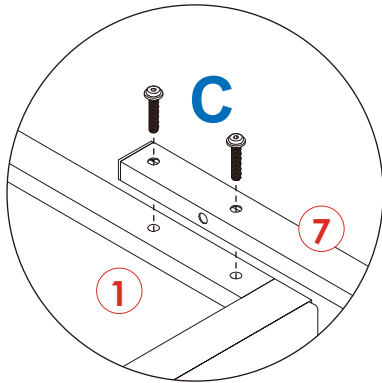
## Parts List



# Assembly Instruction

P.6

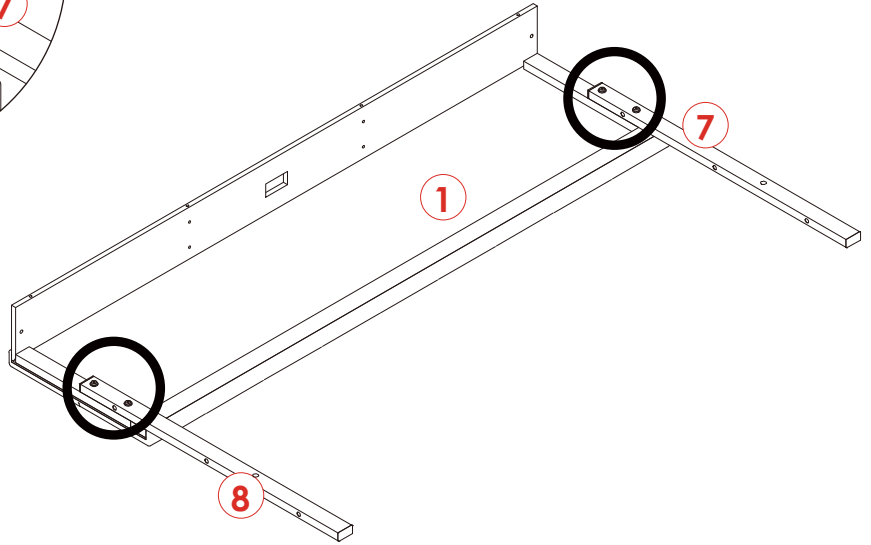
1



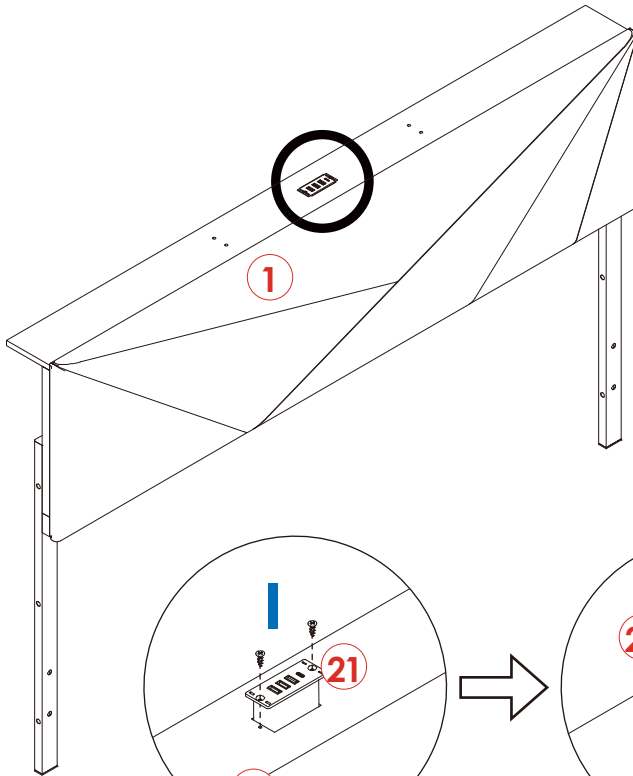
C 5/16x45



4 PCS



2

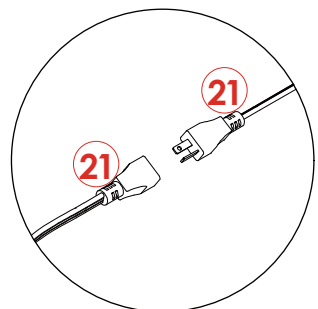
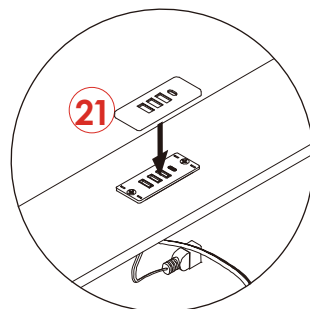
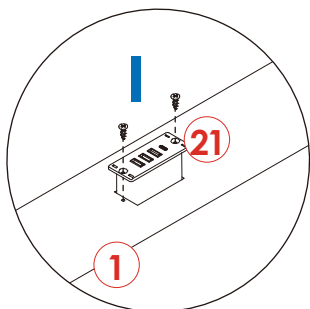


Not Provided

M3x10



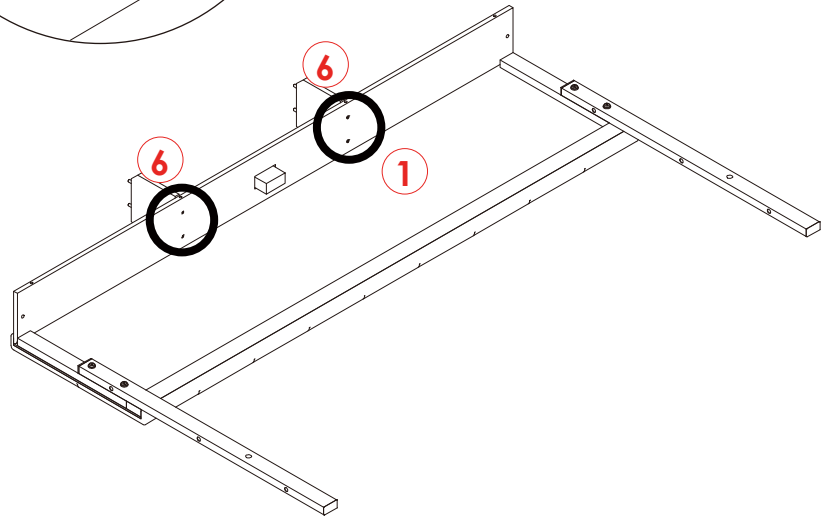
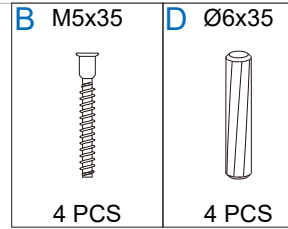
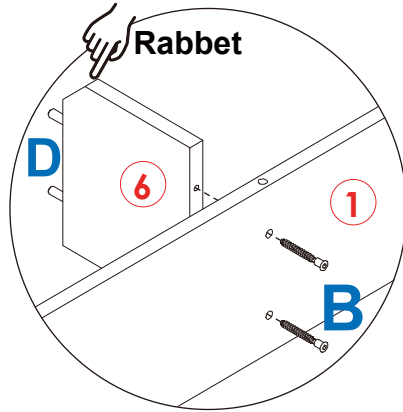
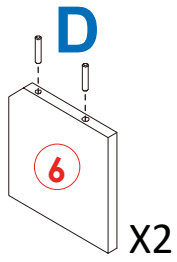
2 PCS



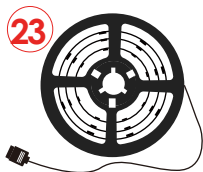
# Assembly Instruction

P.7

3

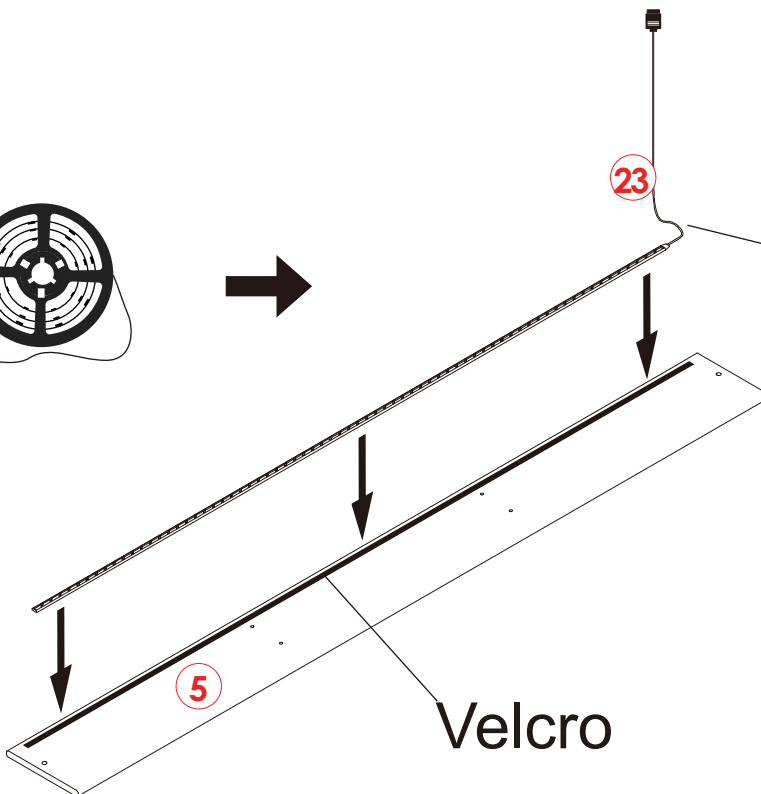


4

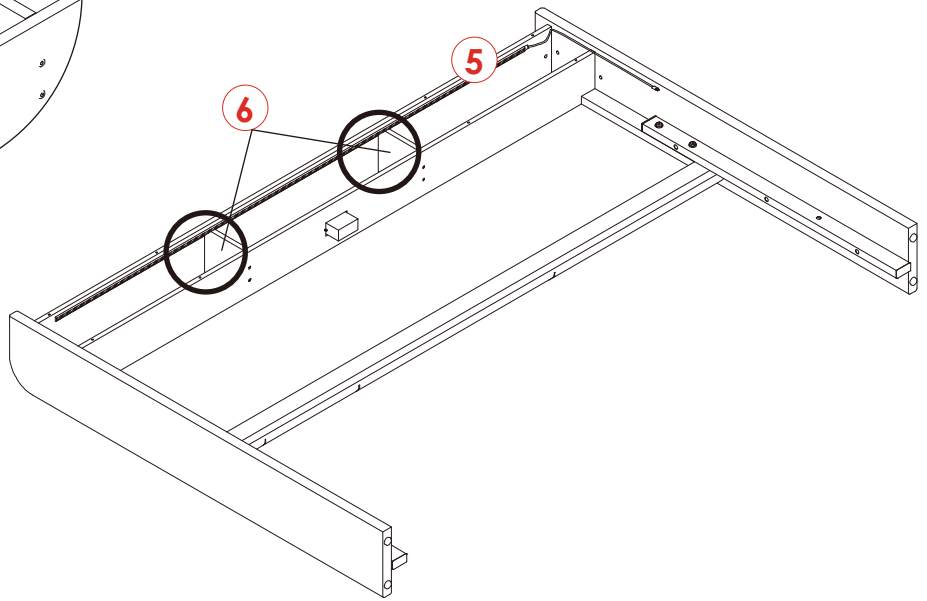
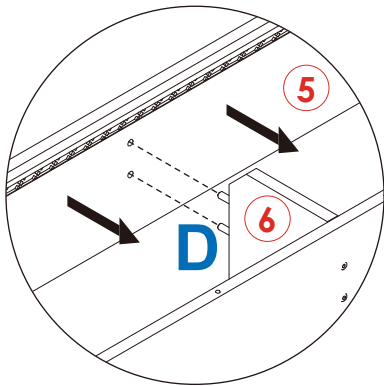


23

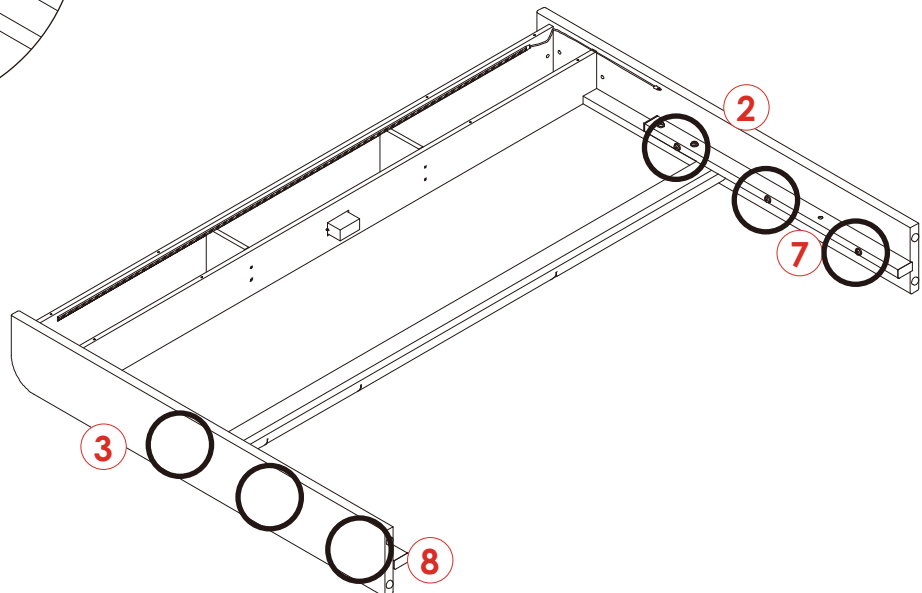
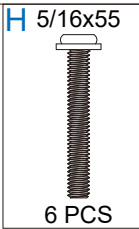
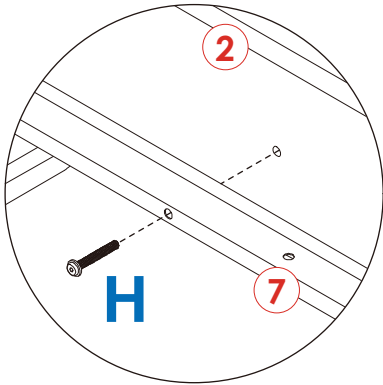
Note the direction of the lamp cord



5

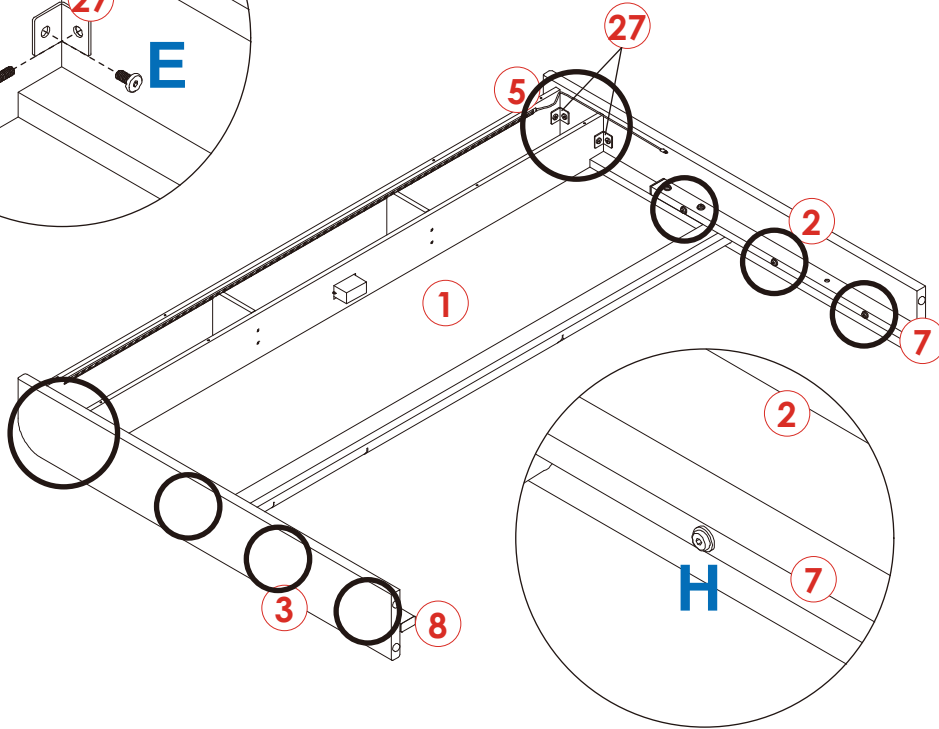
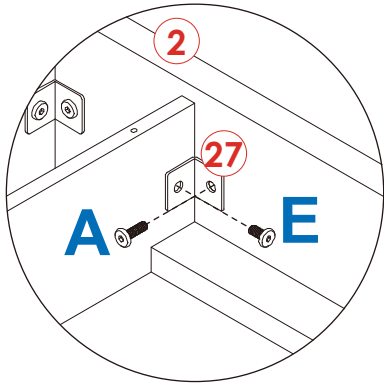




6



please do not  
tighten them  
too much

7



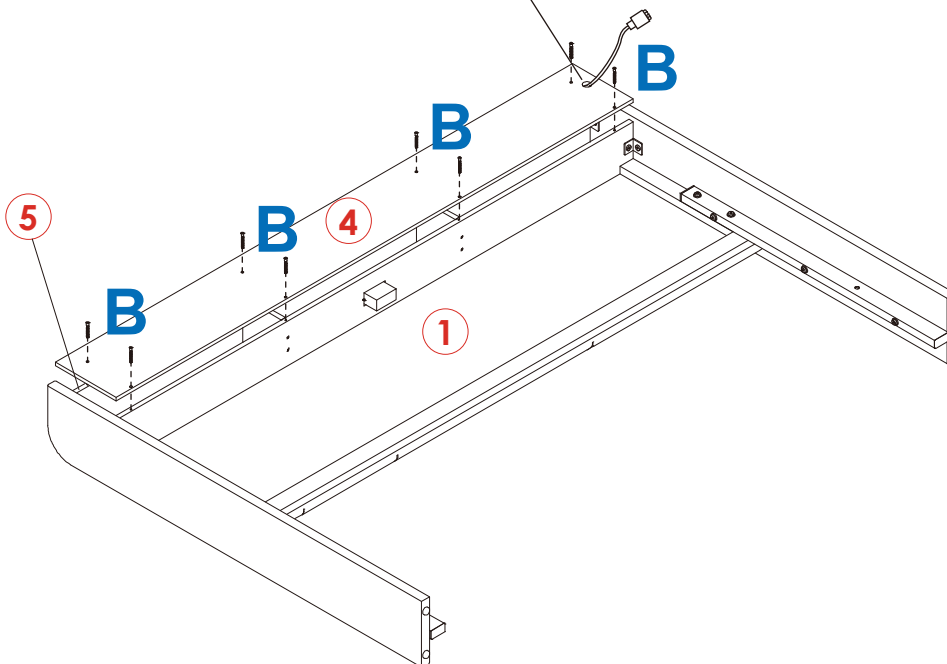
A 1/4x16	E 1/4x10
	
4 PCS	4 PCS




Tight all the innerscrew after all holes are aligned.

8

Please thread the lamp cord through the hole.



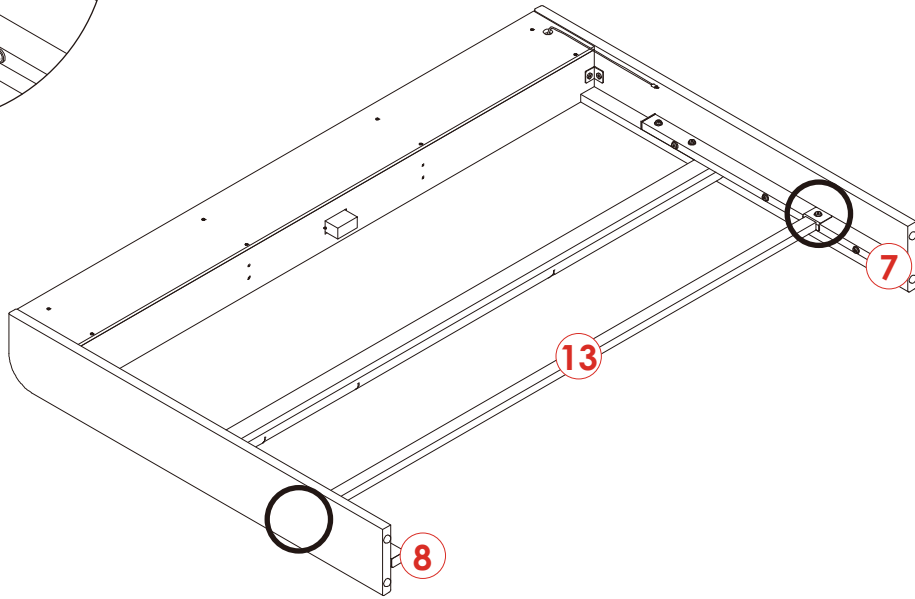
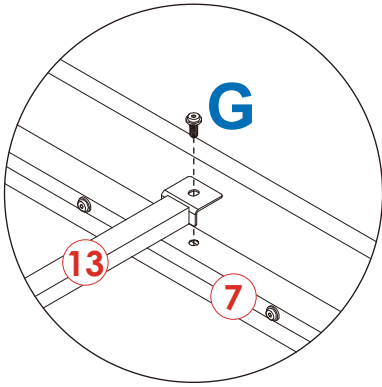
B M5x35

8 PCS

9

G 5/16x16



2 PCS

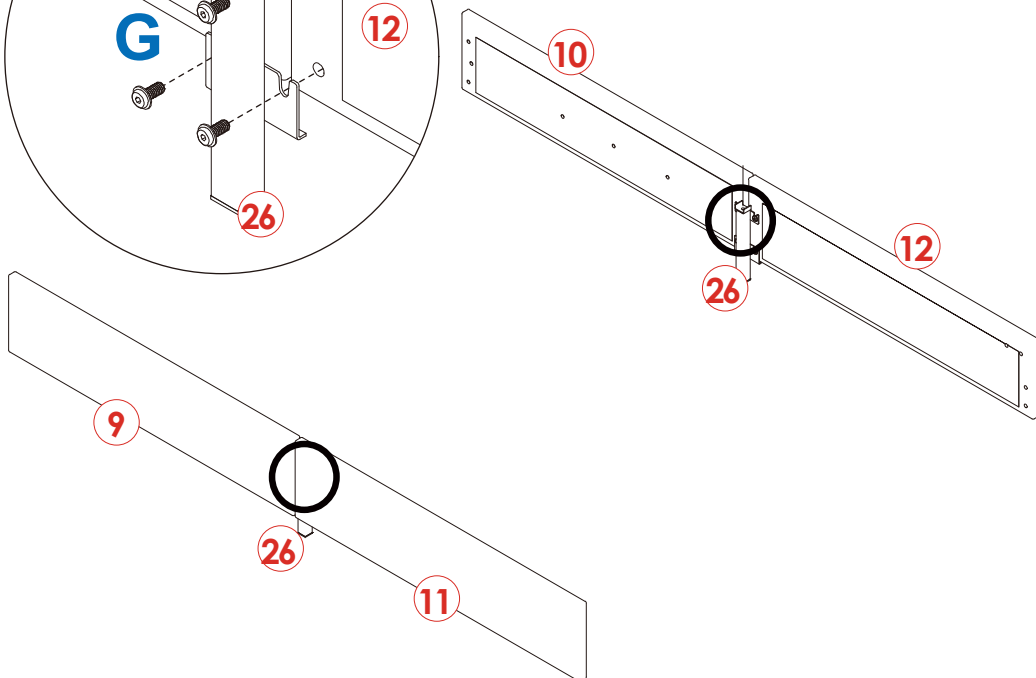
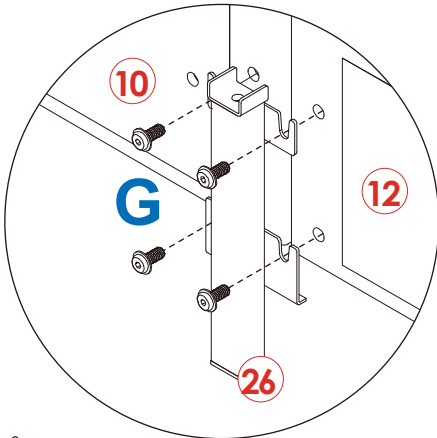


10

G 5/16x16



8 PCS

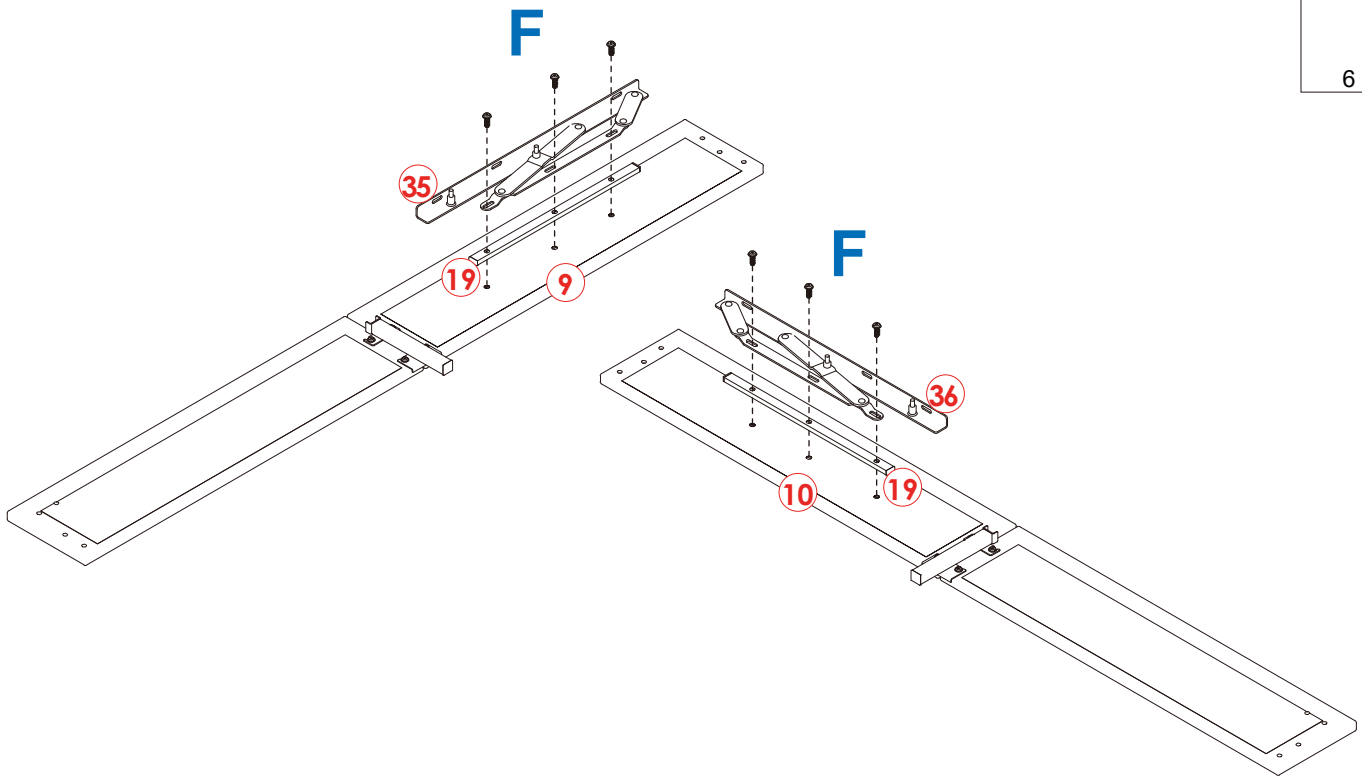


11

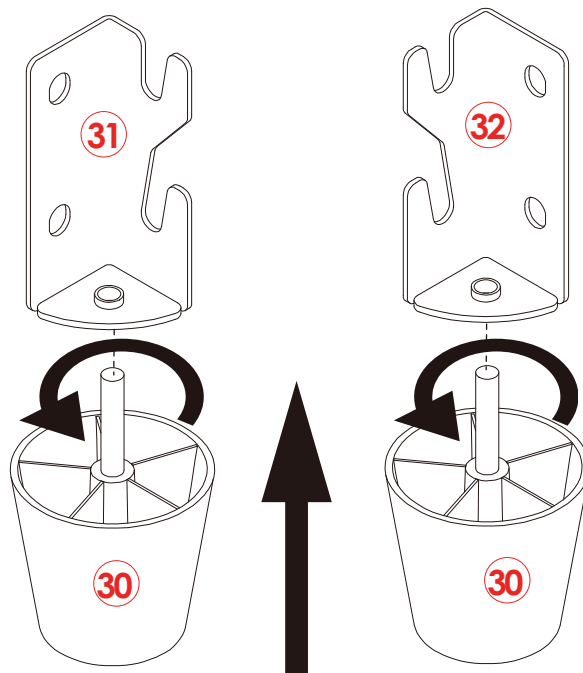
F 5/16x30



6 PCS



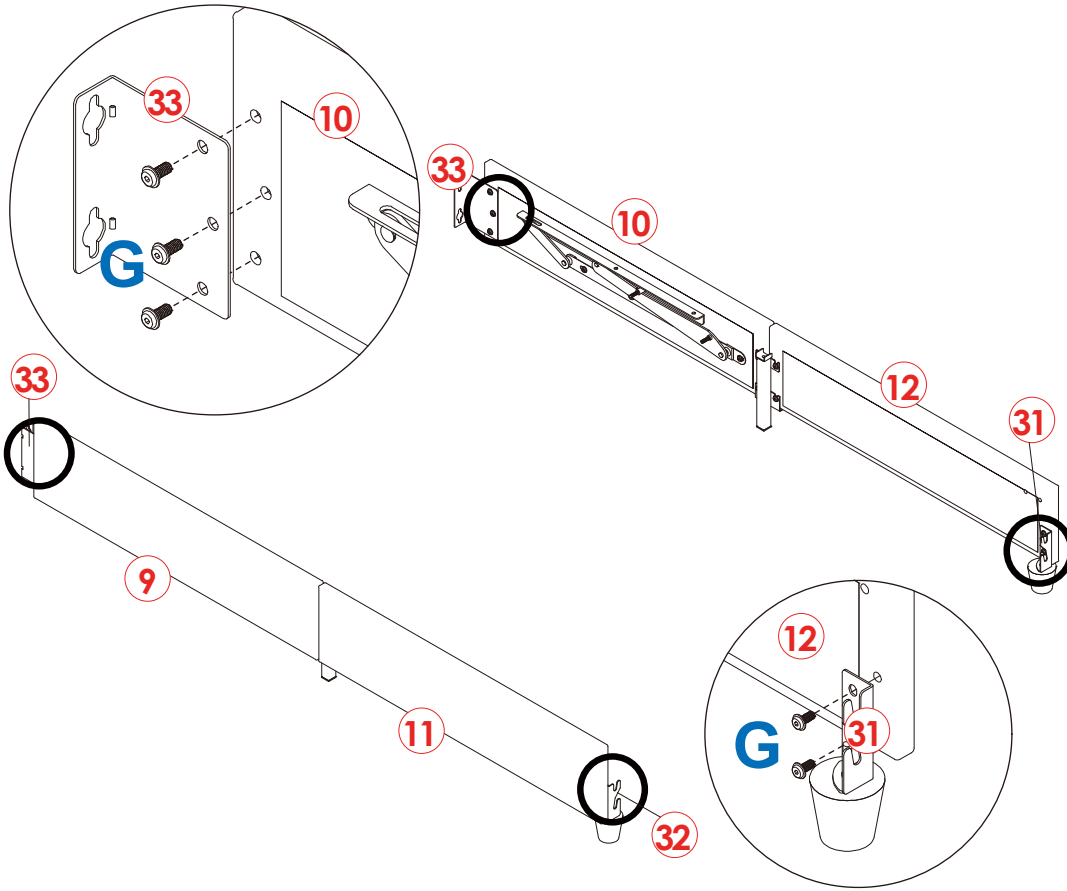
12



# Assembly Instruction

P.12

13

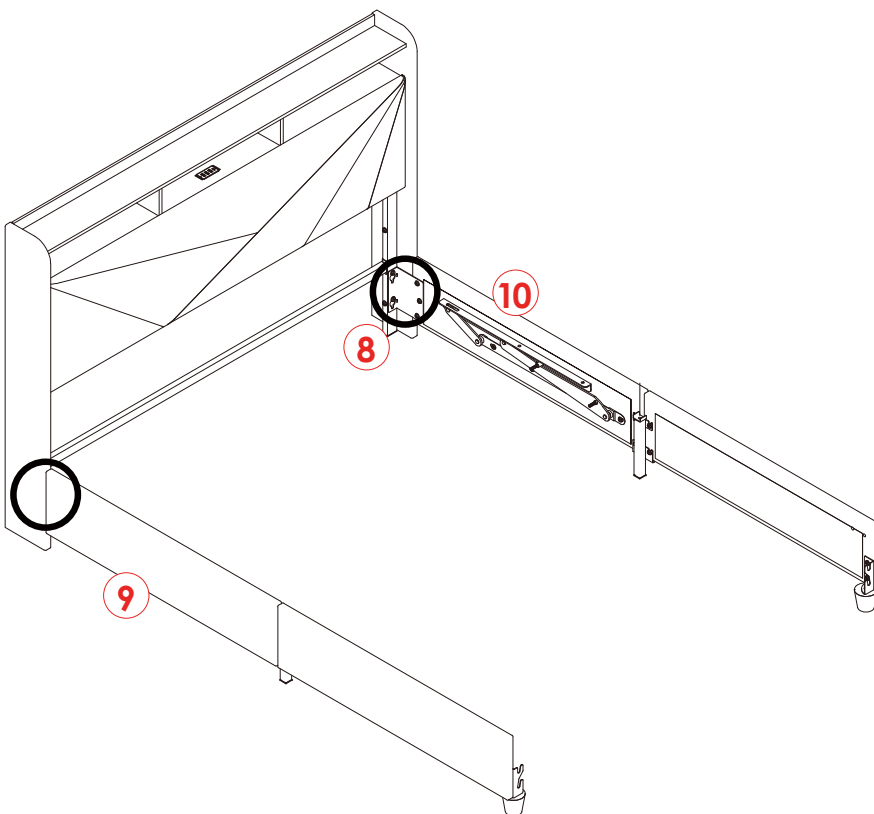


G 5/16x16



10 PCS

14



G 5/16x16



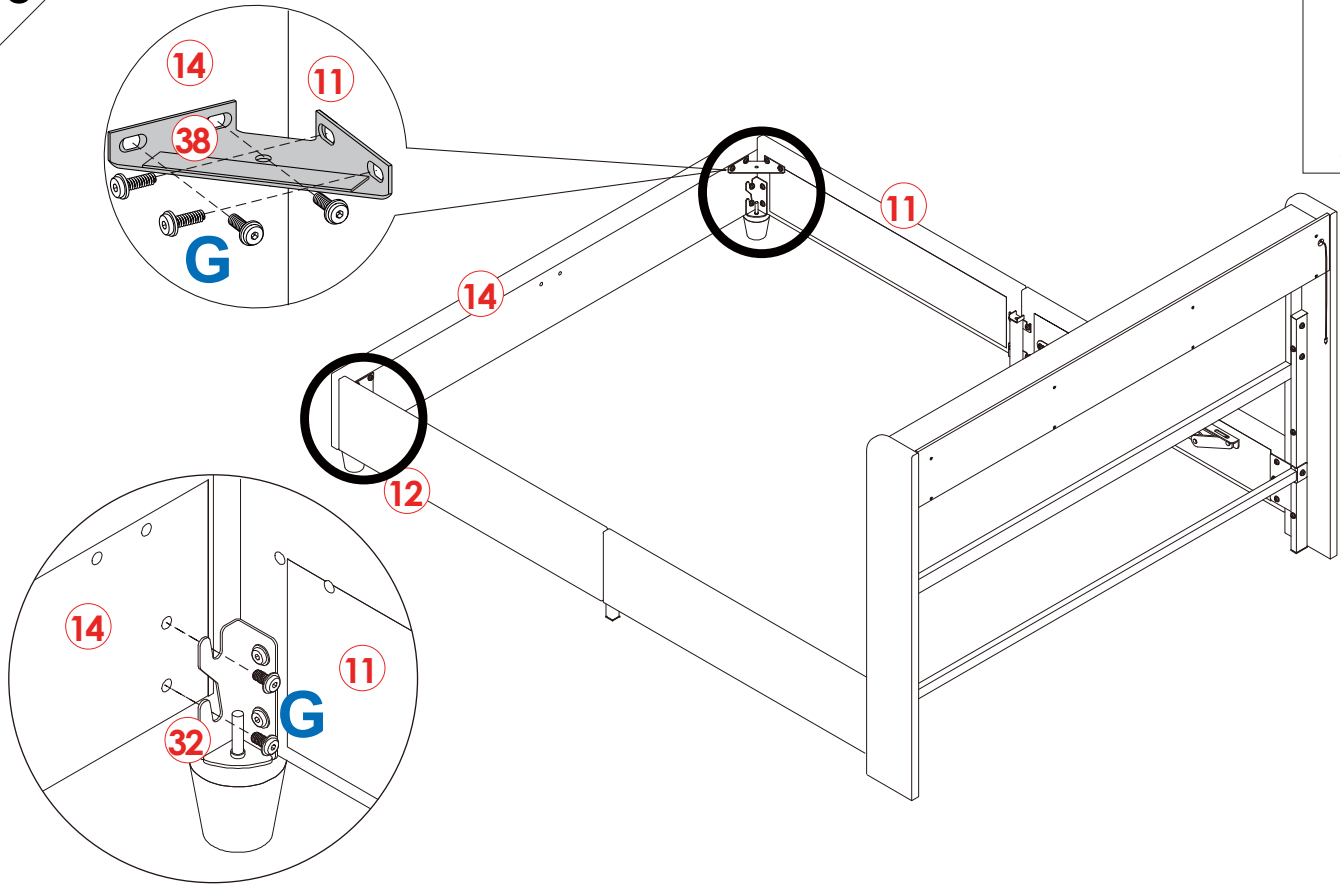
4 PCS

15

G 5/16x16



12 PCS

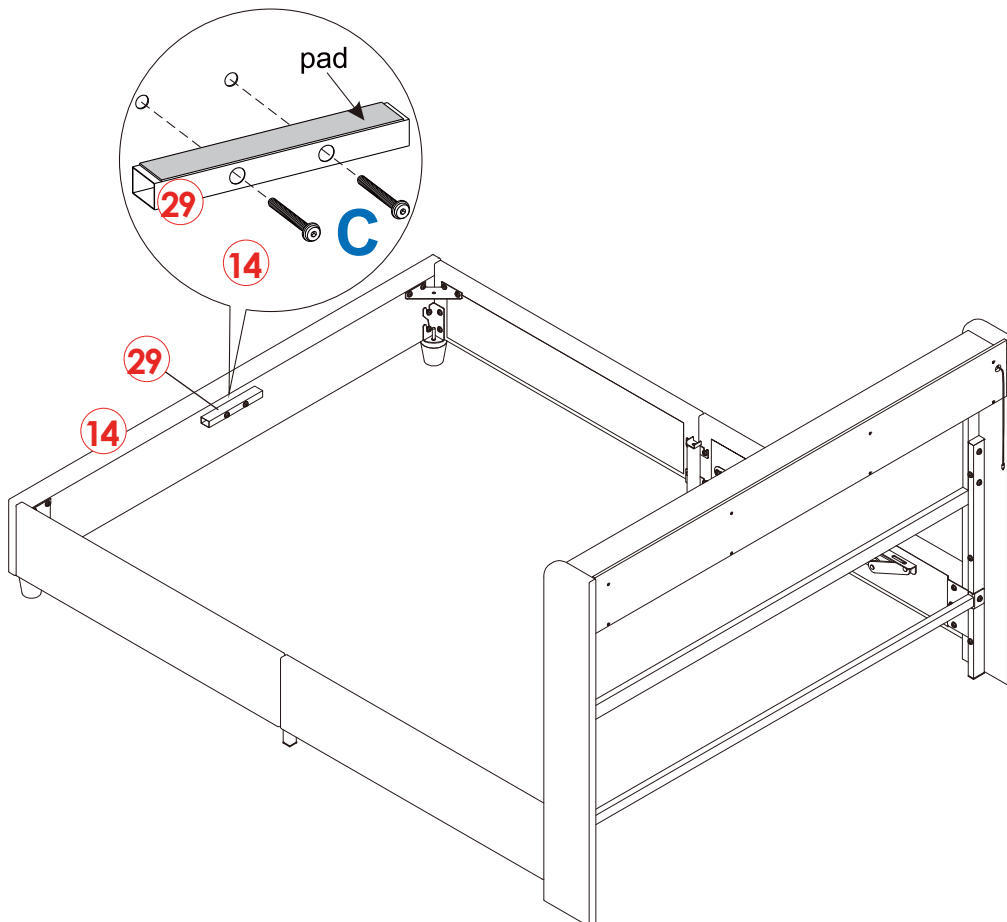


16

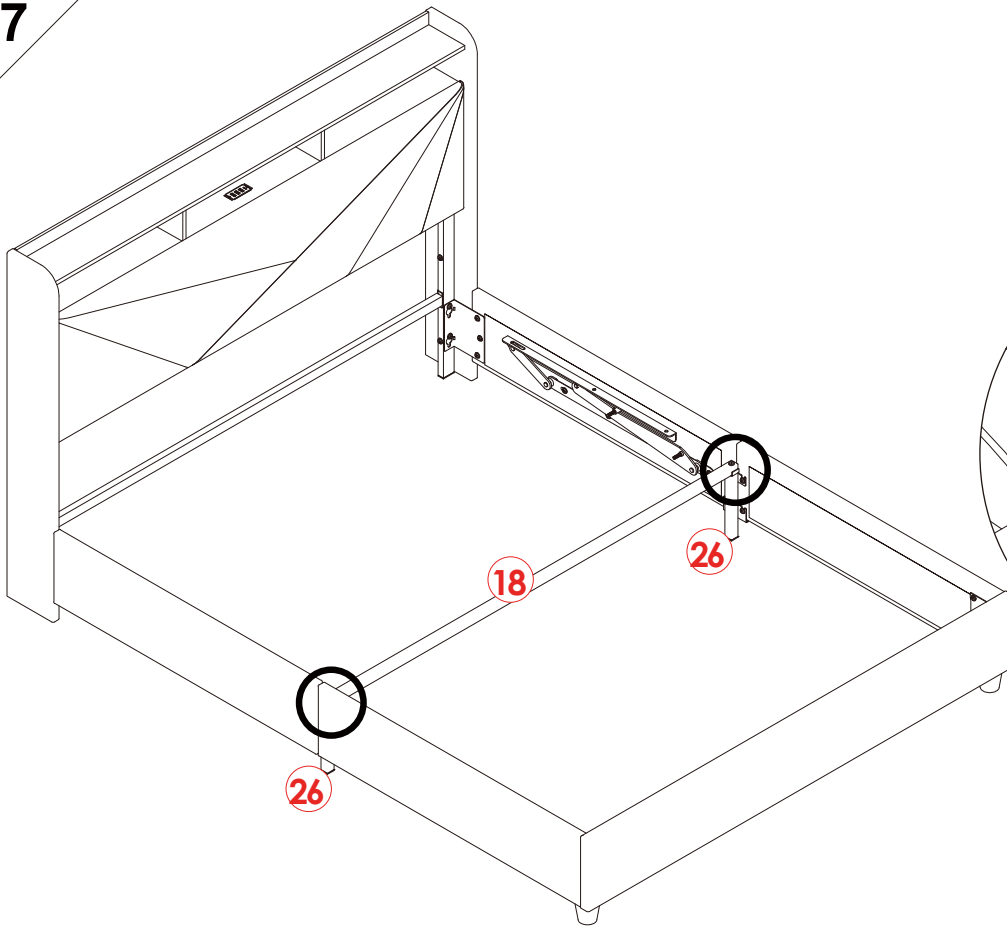
C 5/16x45



2 PCS



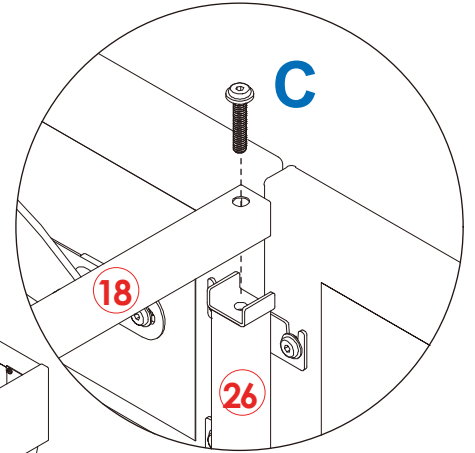
17



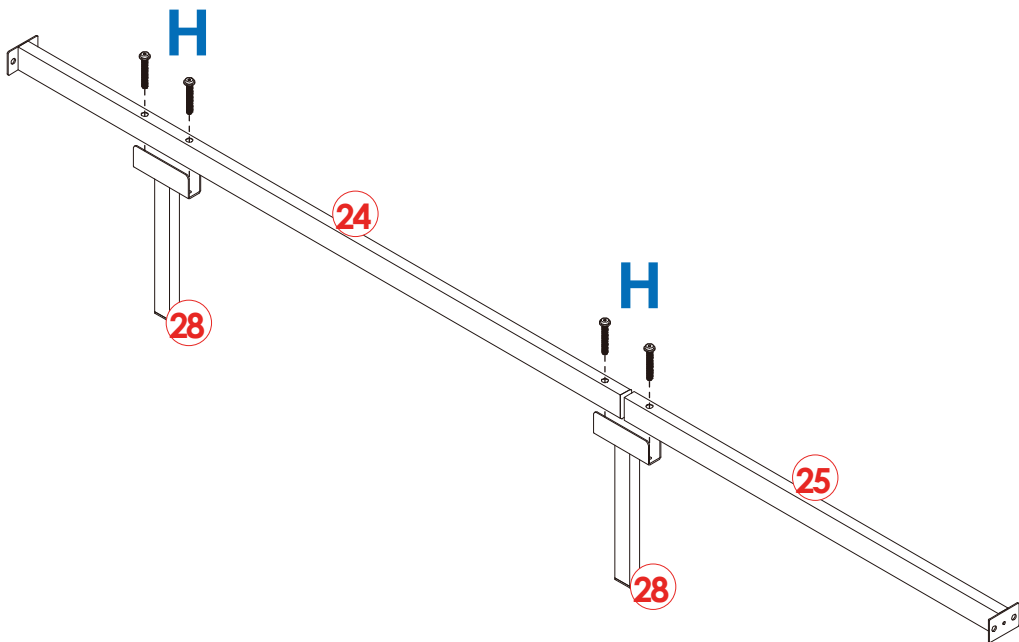
C 5/16x45



2 PCS



18



H 5/16x55

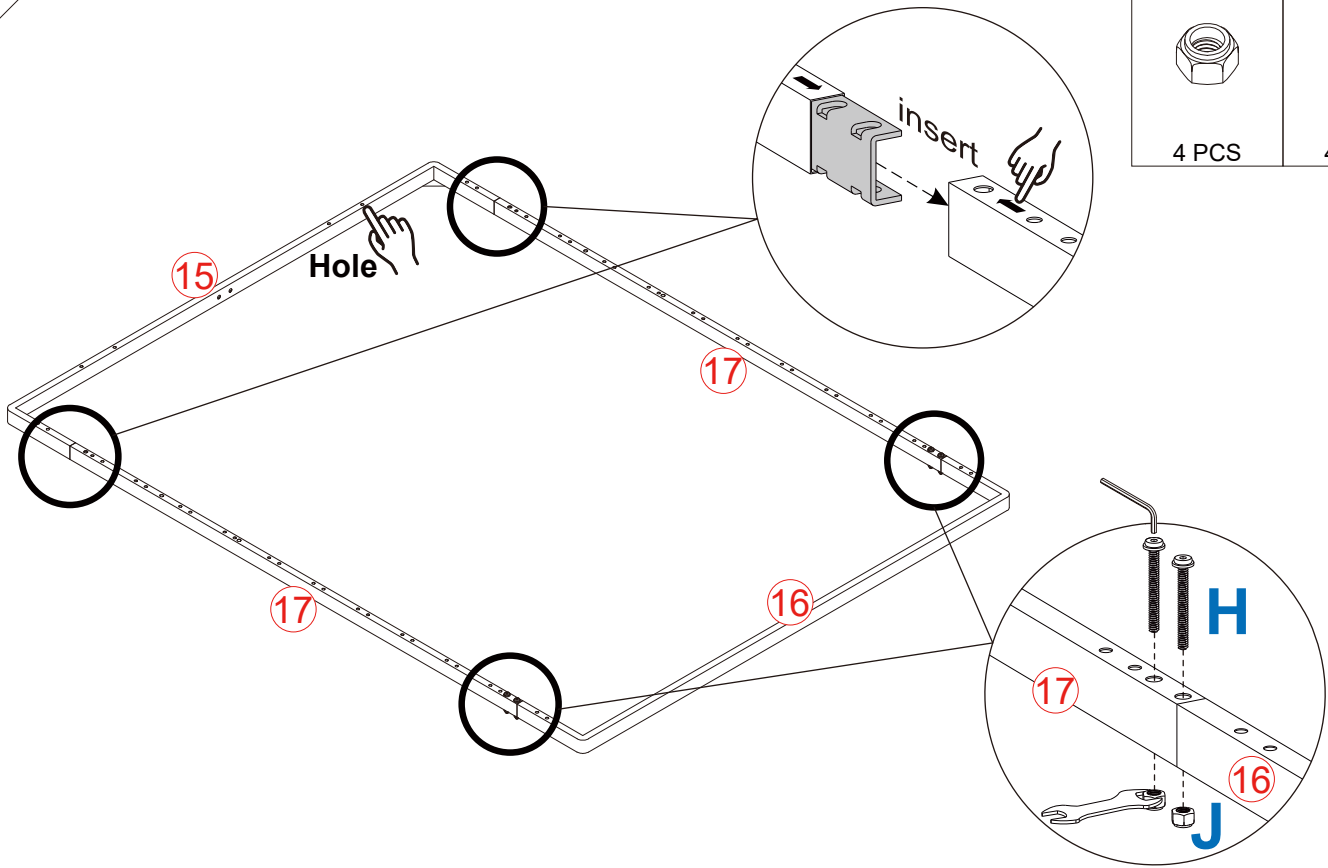


4 PCS

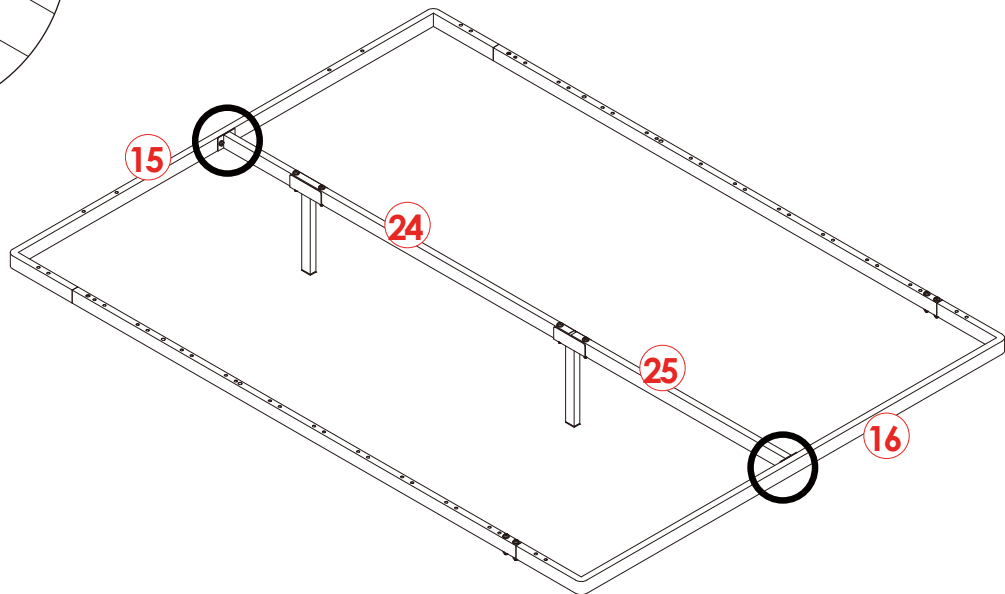
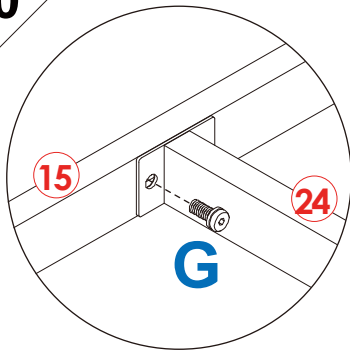
# Assembly Instruction

P.15

19



20





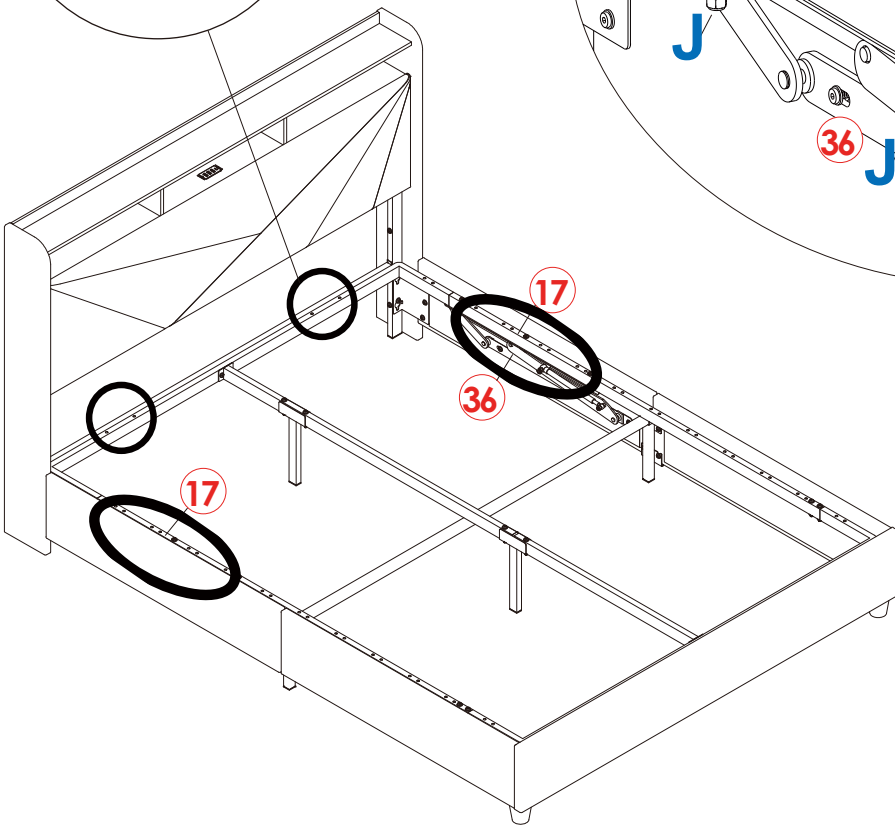
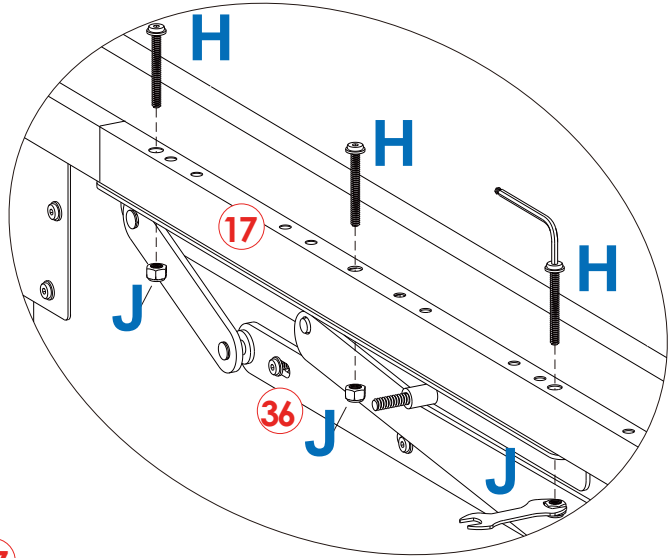
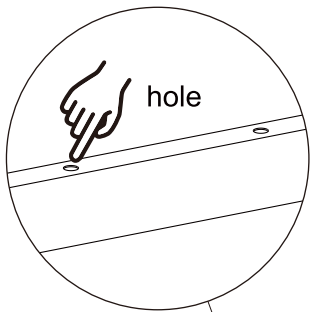
G 5/16x16



4 PCS

21

J 5/16	H 5/16x55
	
6 PCS	6 PCS



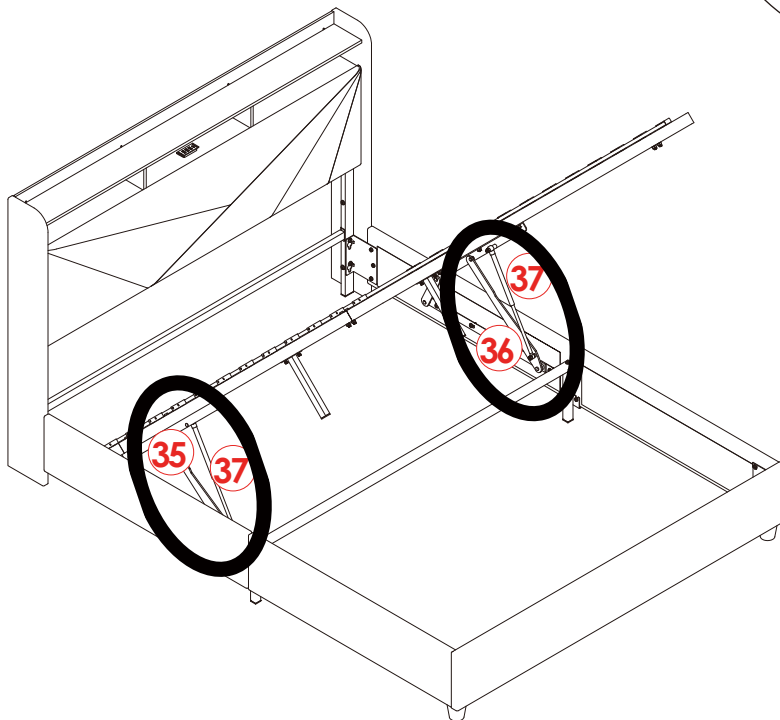
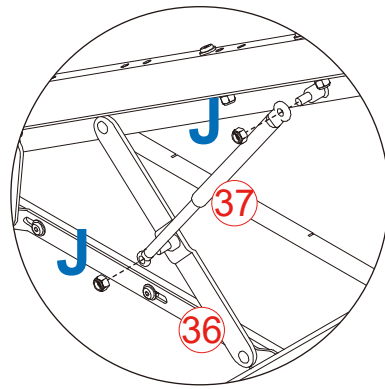
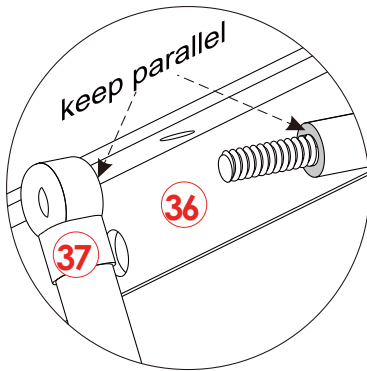
22

J 5/16



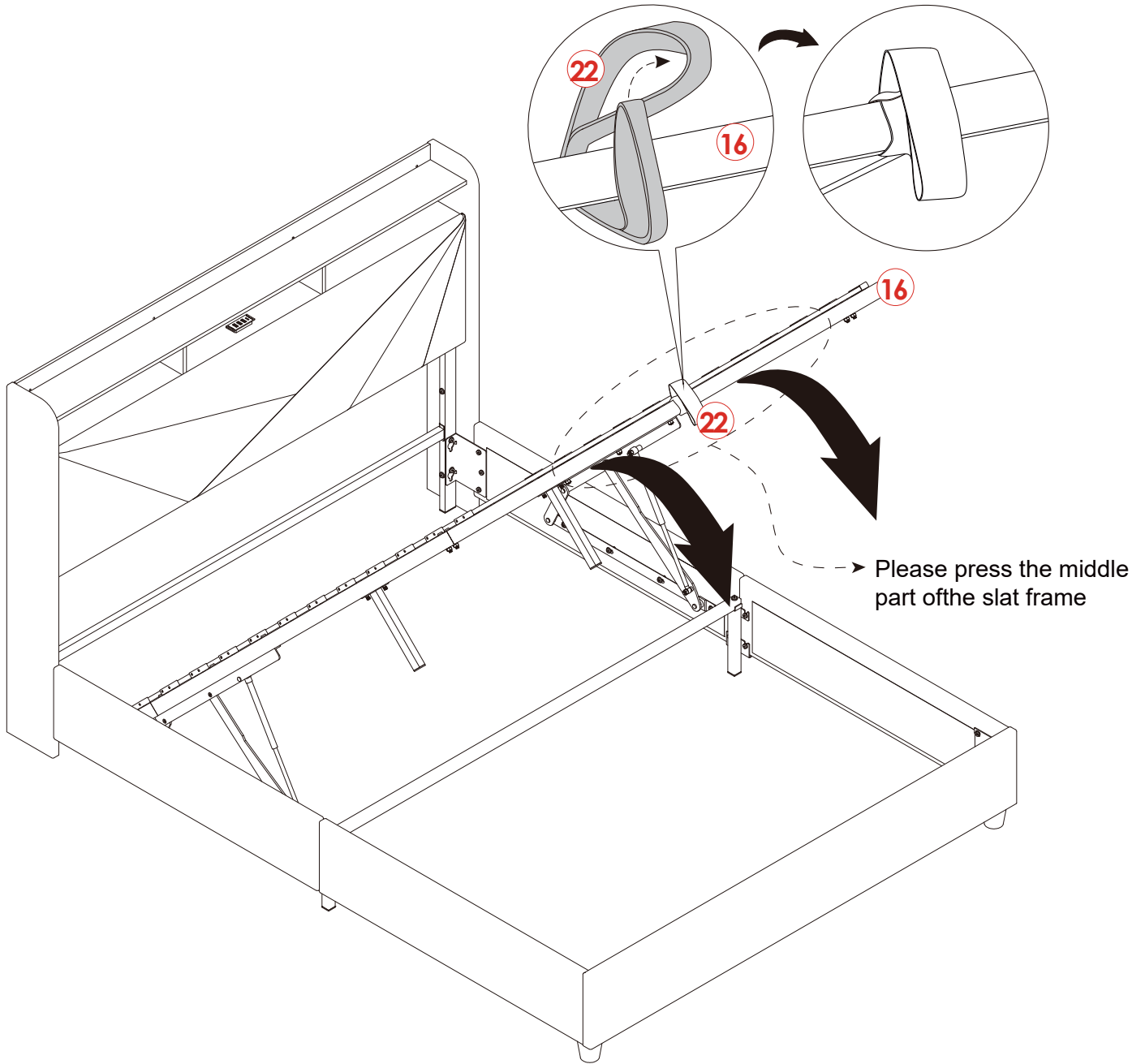
4 PCS

**!** Please lift the slat frame with your hands while assembling part **37**.



23

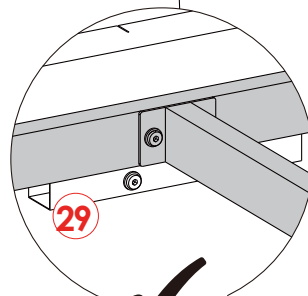
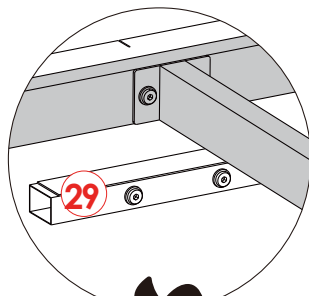
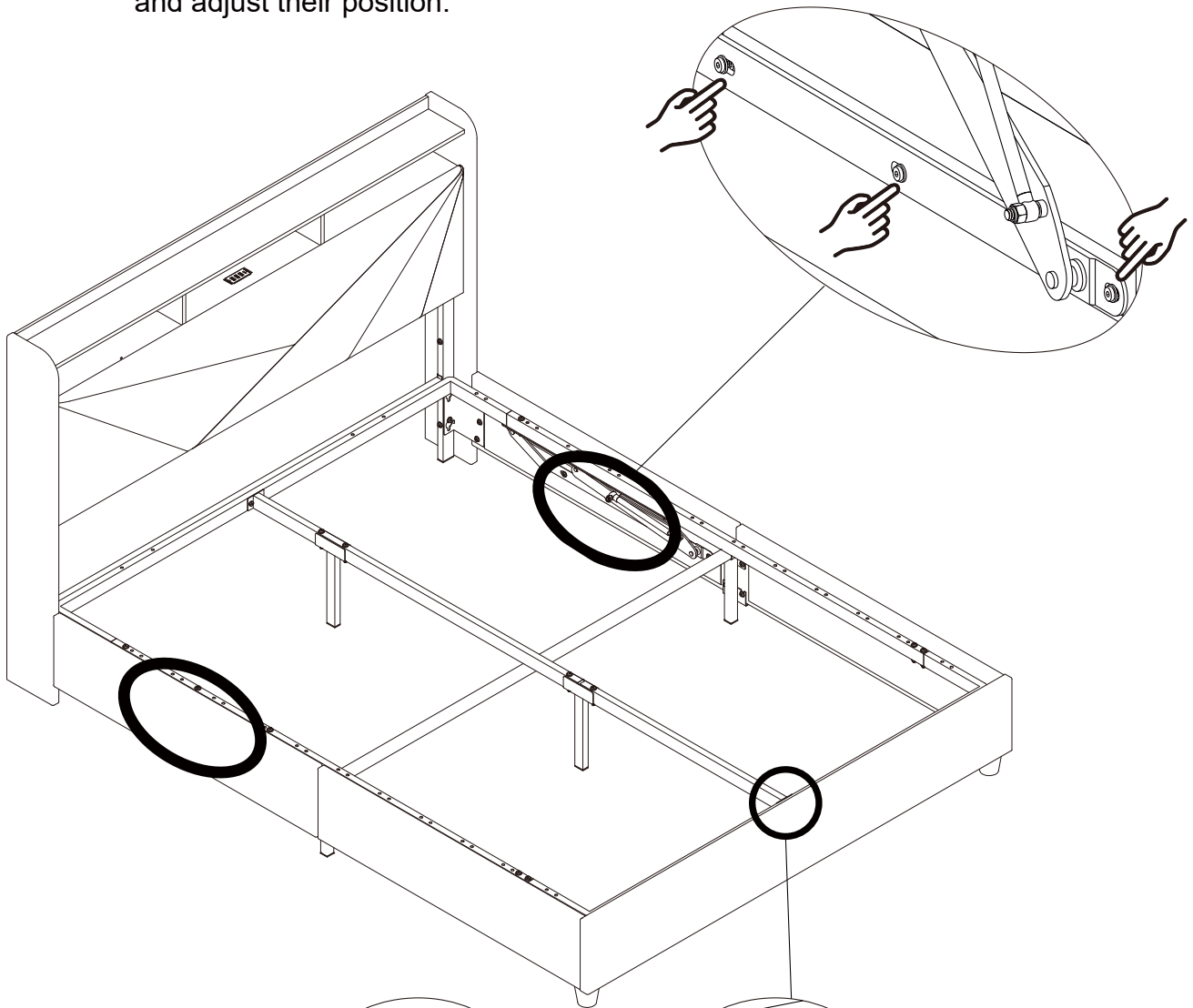
Pass one end through the hole



24

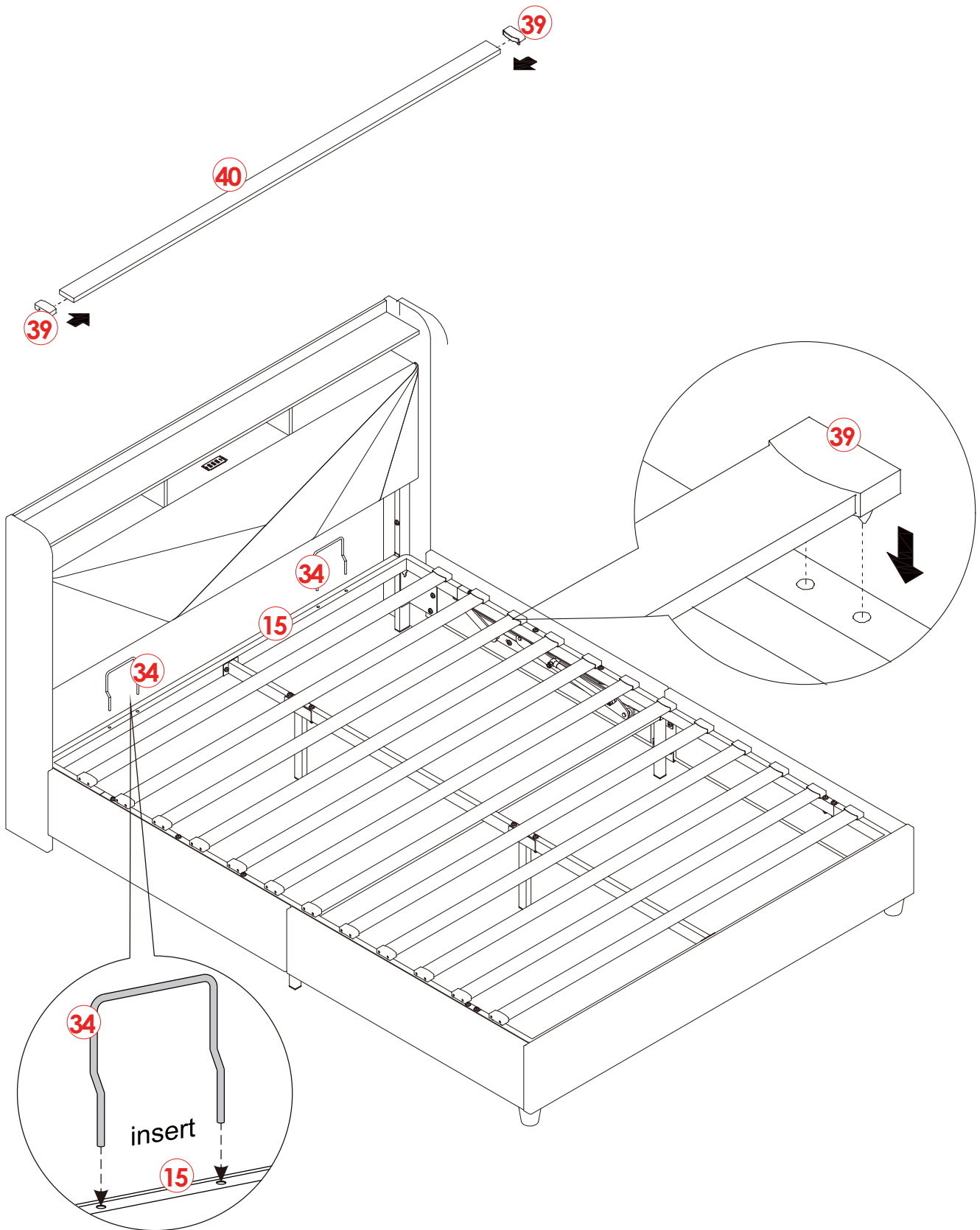
Please make sure there is no gap between the slat frame and part 29.

If there is a gap, please loosen the bolts in the picture below and adjust their position.

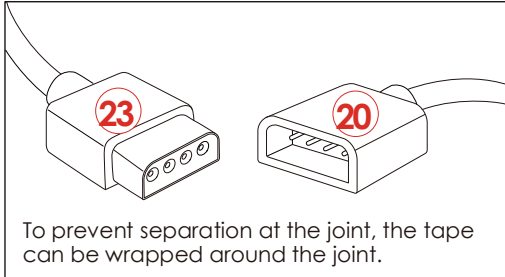


**!** Please make sure there is no gap between the slat frame and part 29, If there is a gap, please loosen the screws in the picture below and adjust their position.

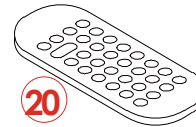
25



26

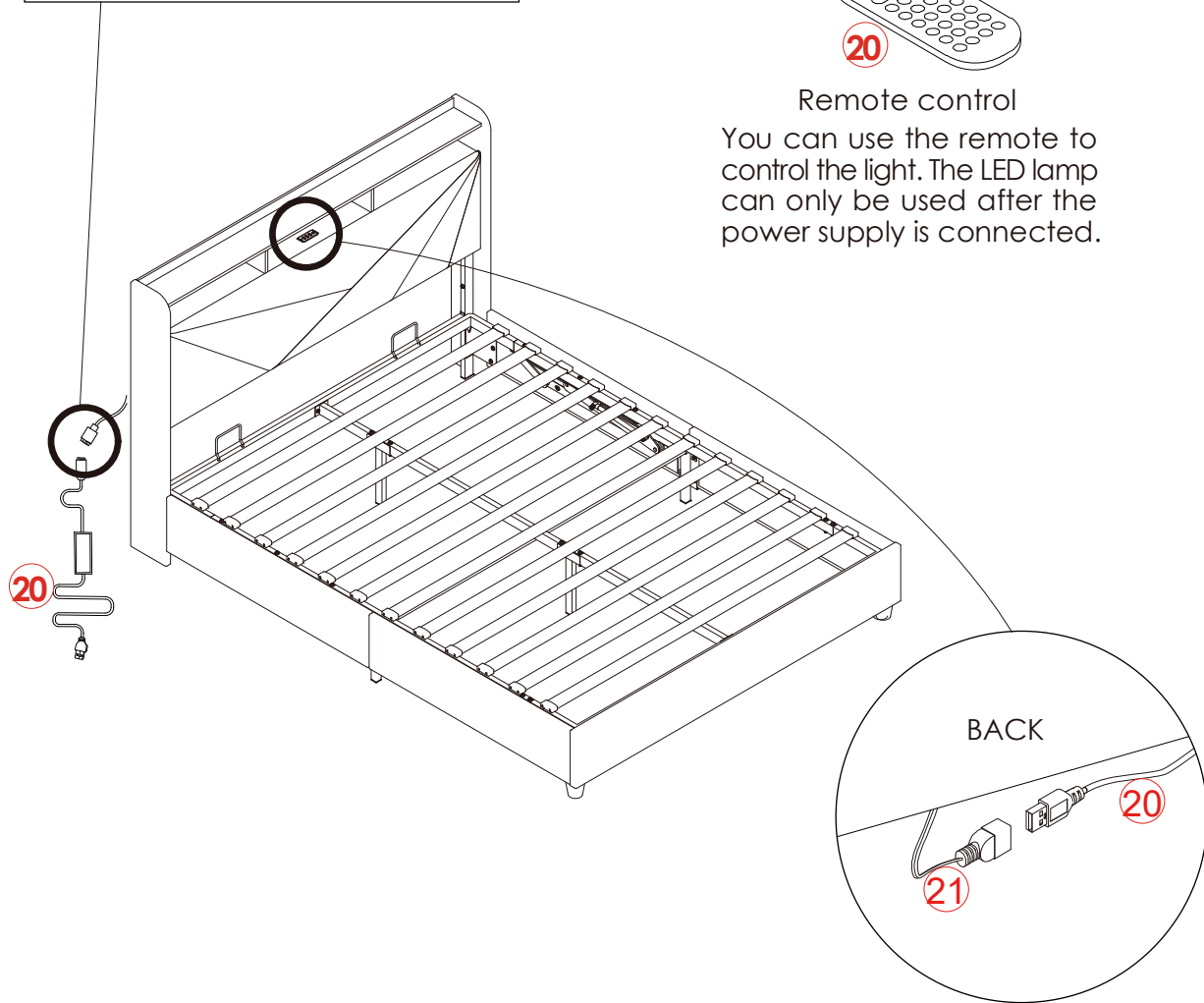


NOTE: The black part of the receiver (20) needs to be exposed to air in order to better control the LED light.



Remote control

You can use the remote to control the light. The LED lamp can only be used after the power supply is connected.



Please scan the QR code on the manual/controller and install the application.

Step1: Please make sure your phone has Bluetooth enabled.

Step2: The LED light will automatically connect to the APP.

