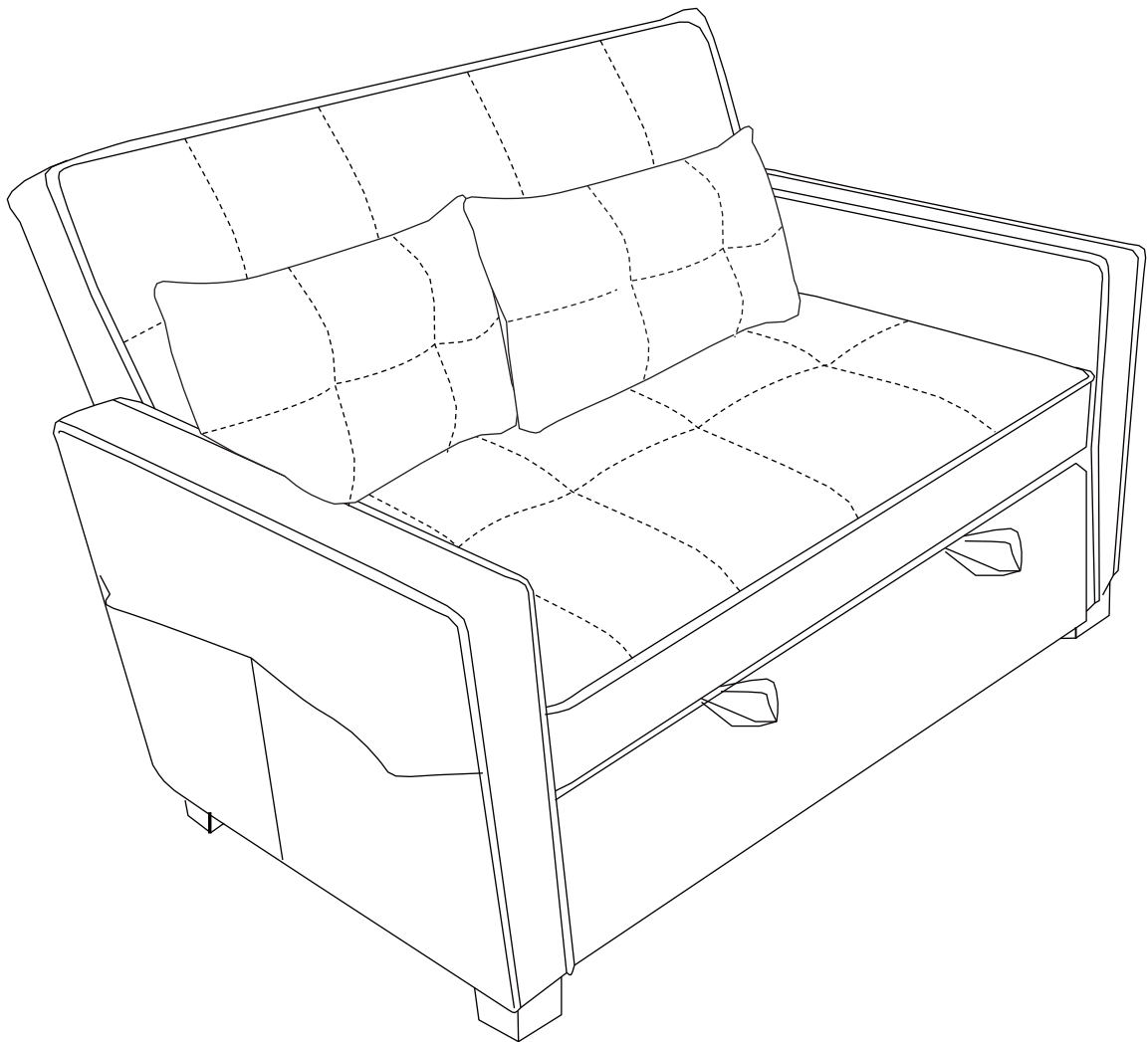
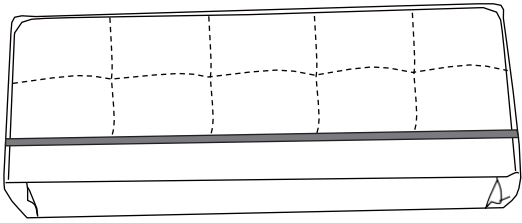


# INSTRUCTION MANUAL



1

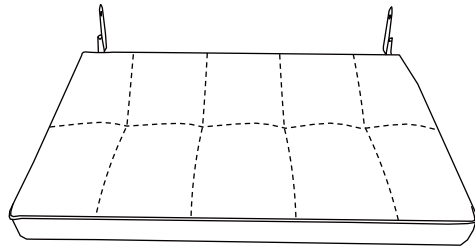
BACKREST



× 1

2

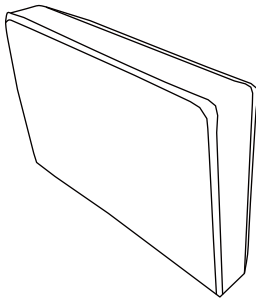
SOFA SEAT



× 1

3

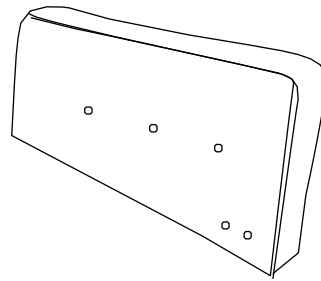
LEFT ARMREST



× 1

4

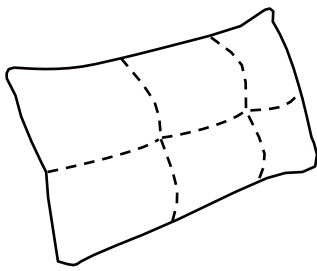
RIGHT ARMREST



× 1

5

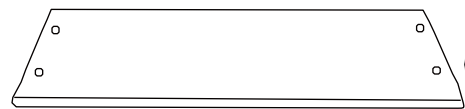
BACK CUSHION



× 2

6

BOARD



⑥-1

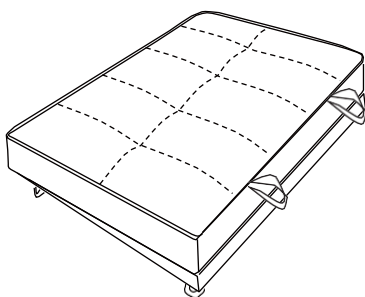


⑥-2

× 2

7

LEG REST



× 1

8

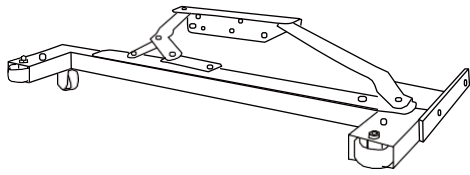
CONNECTOR ROD



× 2

9

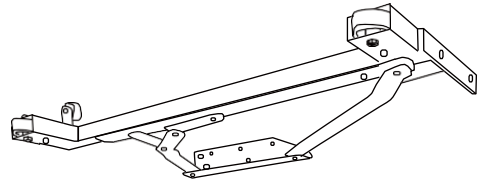
**LEG REST JOINT (LEFT)**



× 1

10

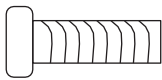
**LEG REST JOINT (RIGHT)**



× 1

A

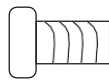
**HEXAGON SCREW**



M6 × 45mm × 4

B

**HEXAGON SCREW**



M6 × 20mm × 16

C

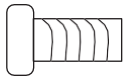
**SCREW ROD**



M8 × 55mm × 6

D

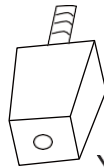
**HEXAGON SCREW**



M6 × 25mm × 4

E

**PLASTIC LEG**



× 4

F

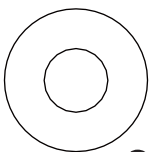
**SCREW CAP**



× 6

G

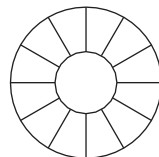
**METAL WASHER**



× 6

H

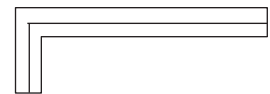
**PLASTIC WASHER**



× 4

I

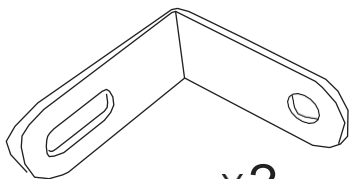
**ALLEN WRENCH**



× 1

J

**L-METAL CONNECTOR**



× 2

K

**METAL BRACKET**



× 2

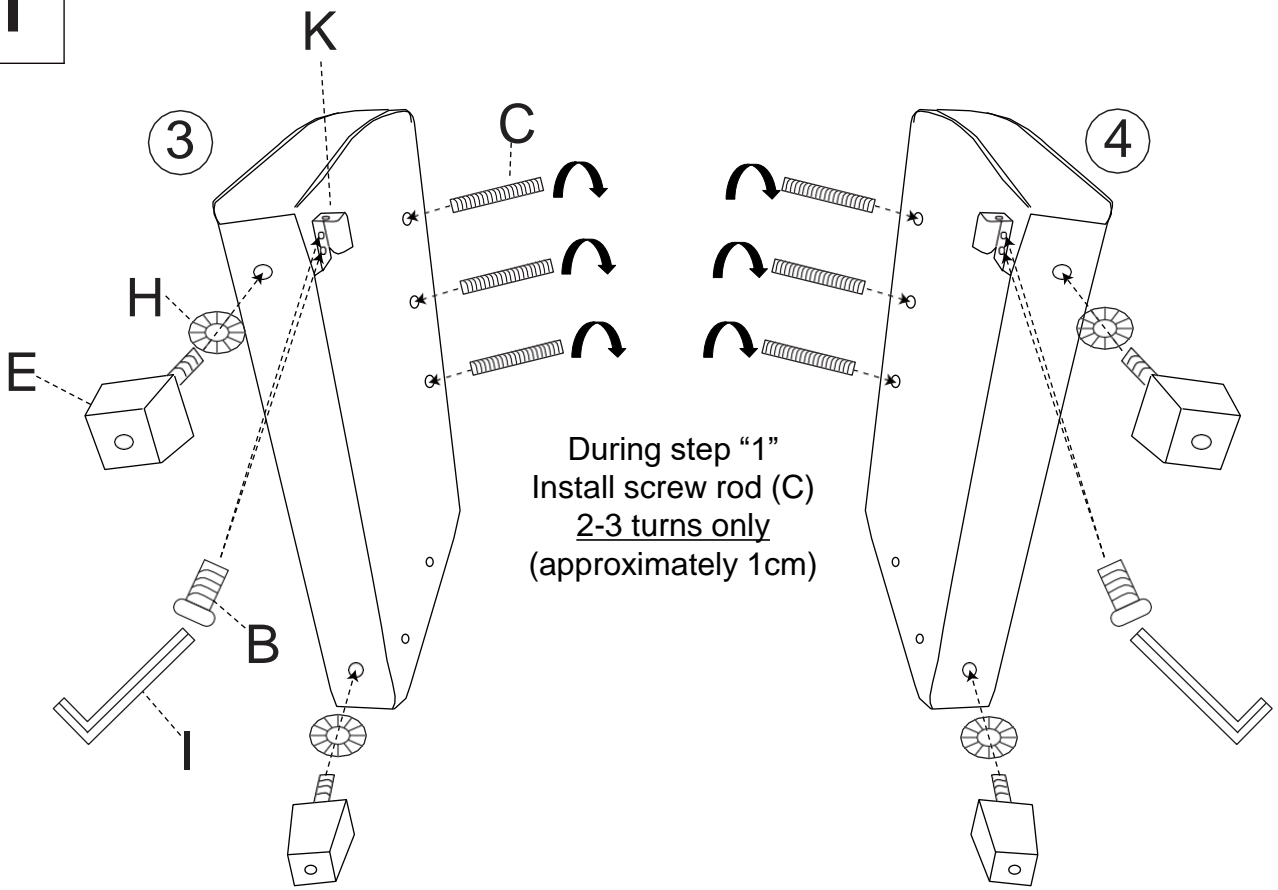
**Customer Service Before Return:**

If part is missing or damaged, or you need help with assembly, please do not hesitate to contact us.

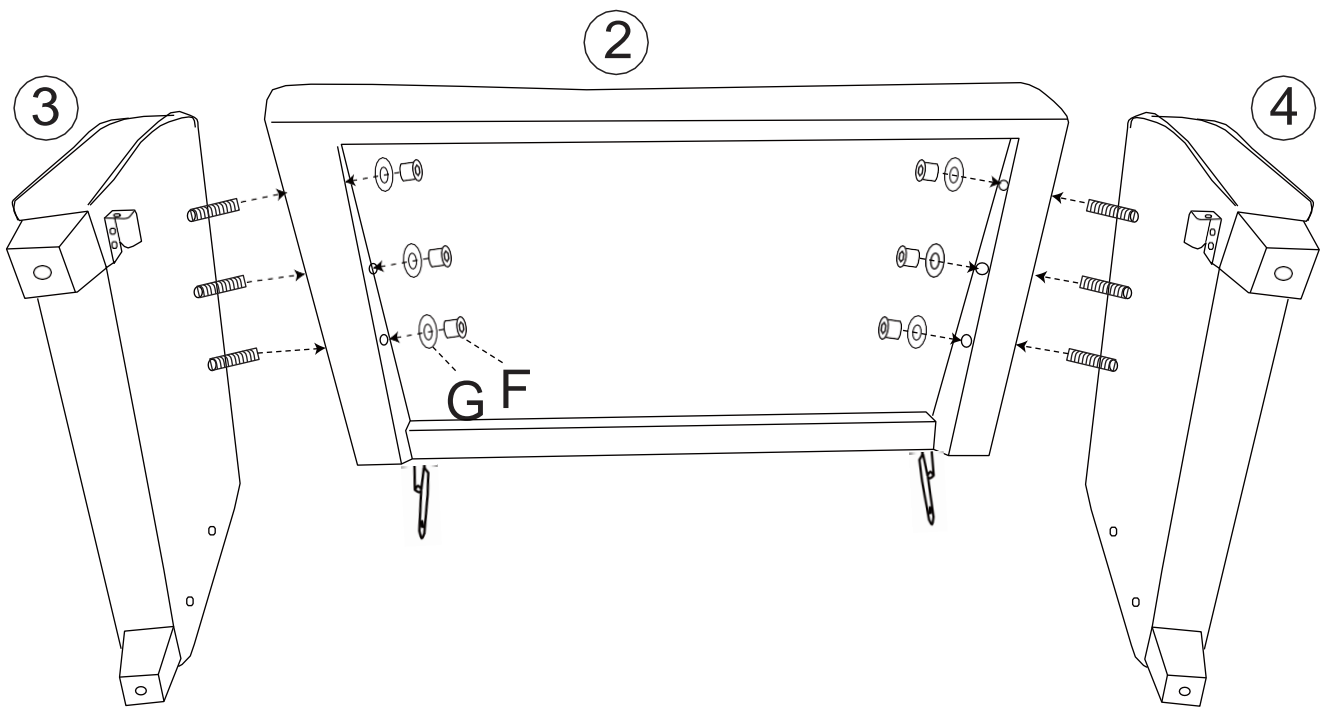
SELLER CONTACT INFORMATION:

[cpcontacts@163.com](mailto:cpcontacts@163.com)

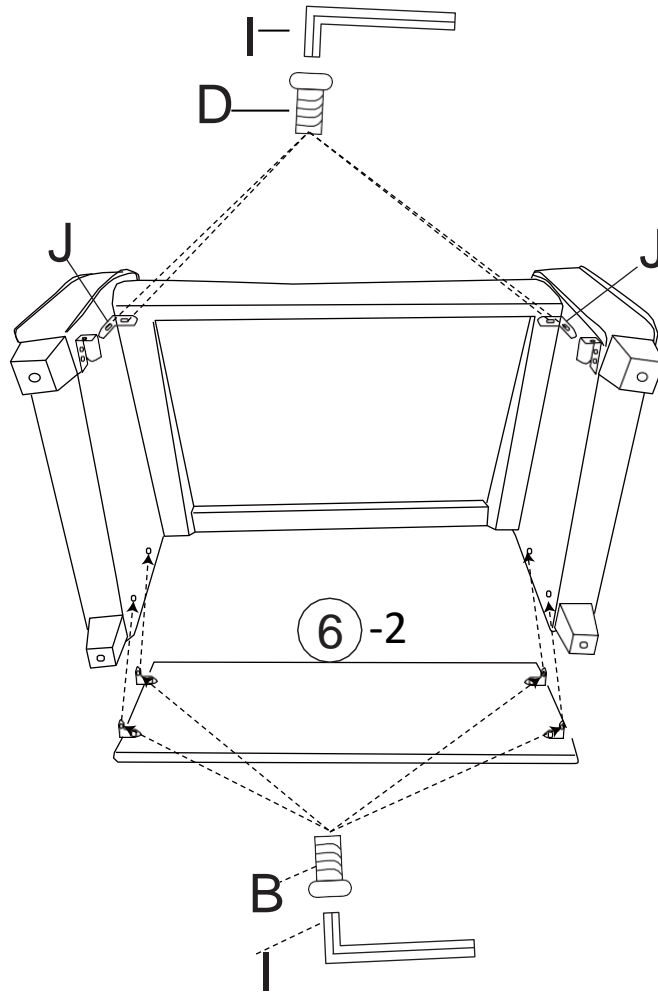
1



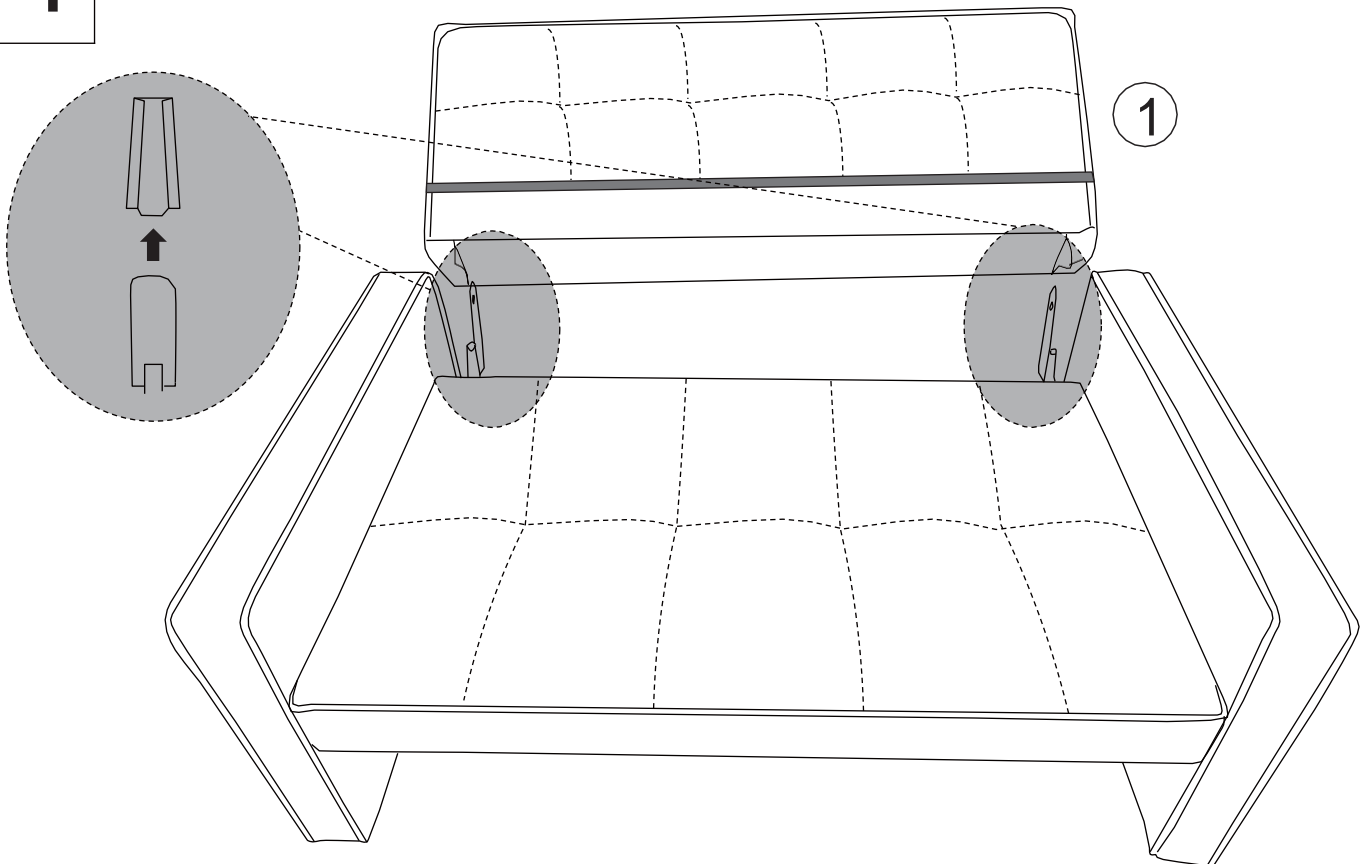
2



3

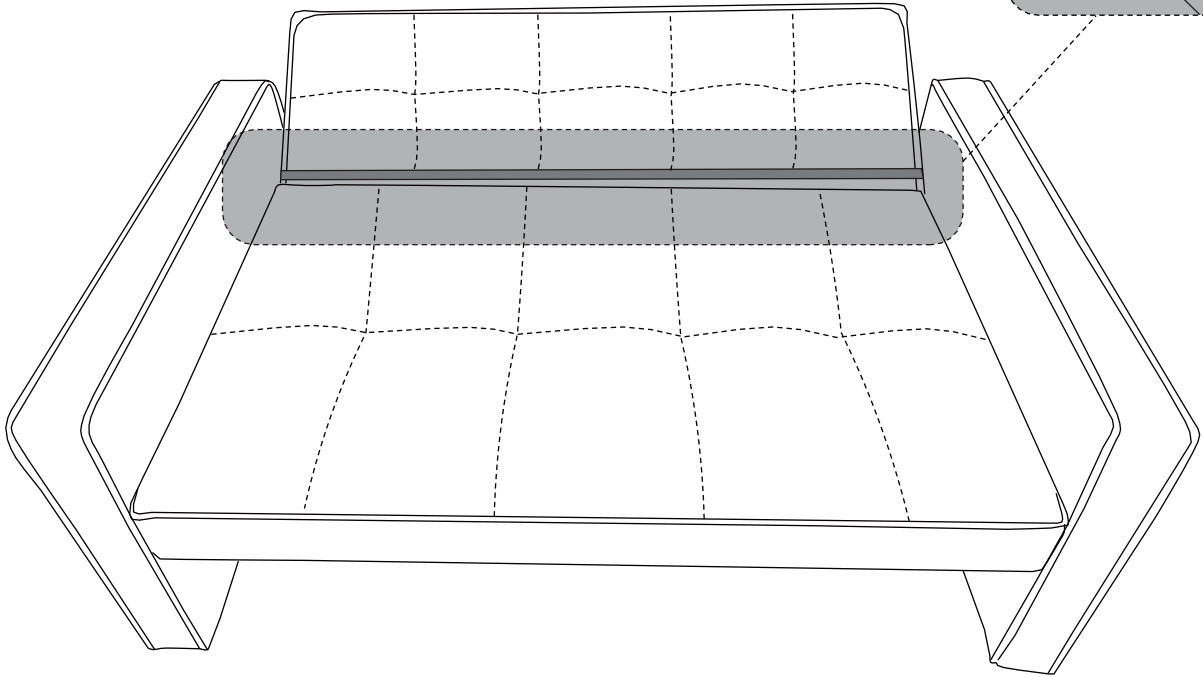
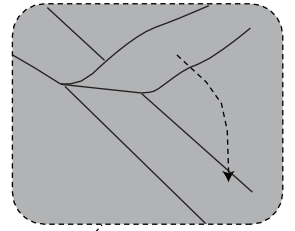


4

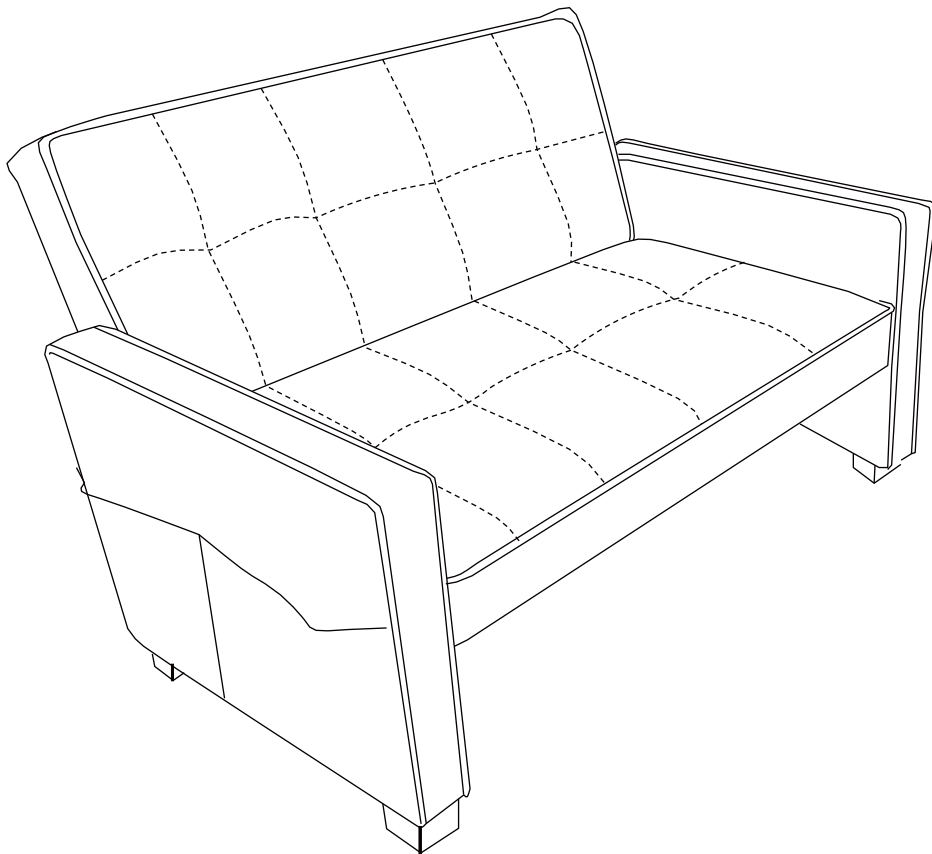


5

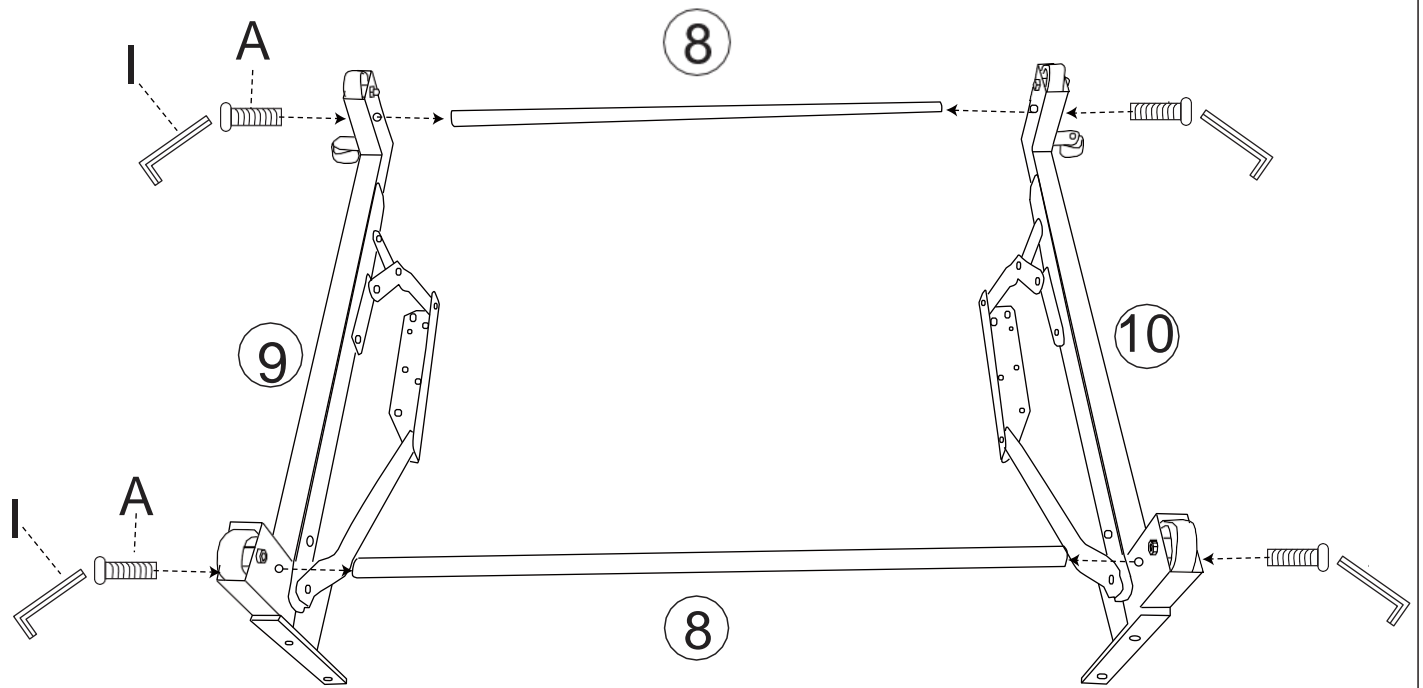
“Attach male Velcro strip on backrest to female Velcro strip on seat”



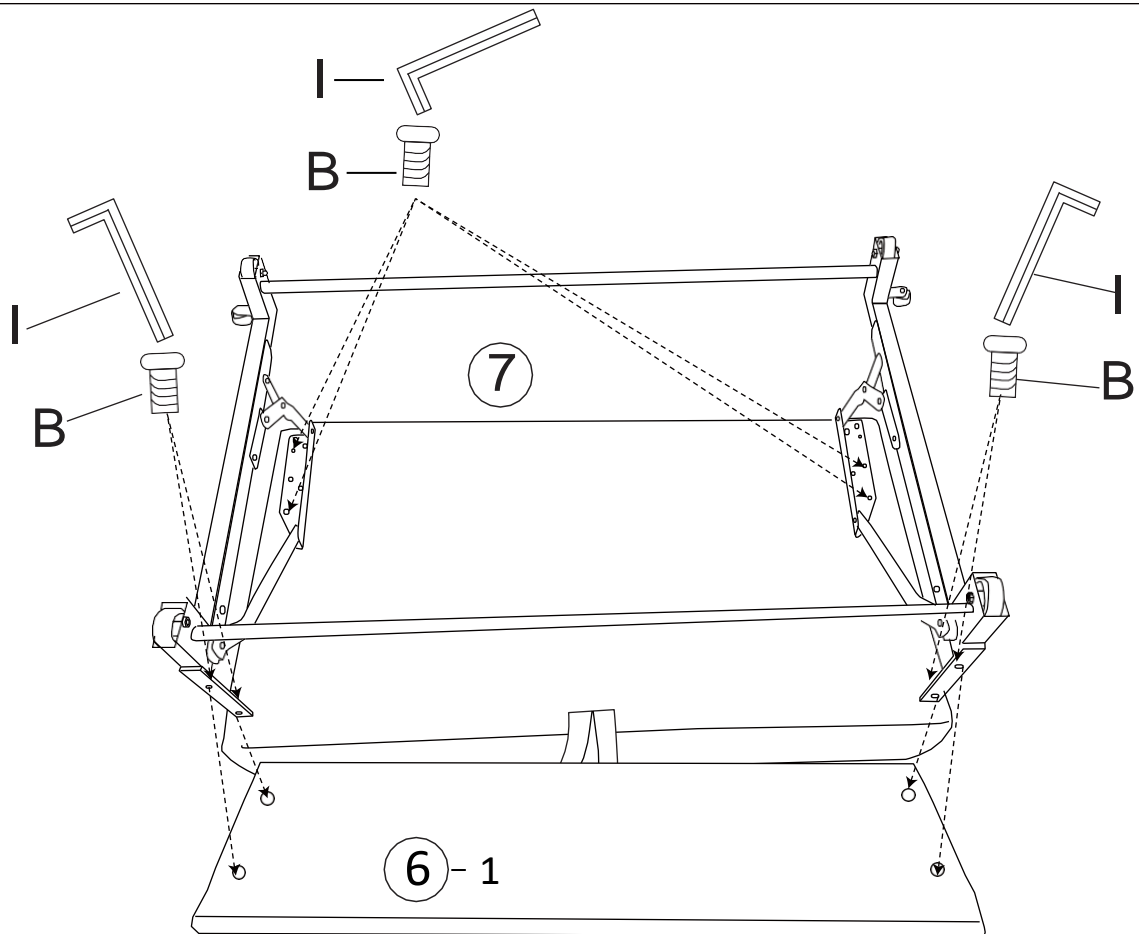
6



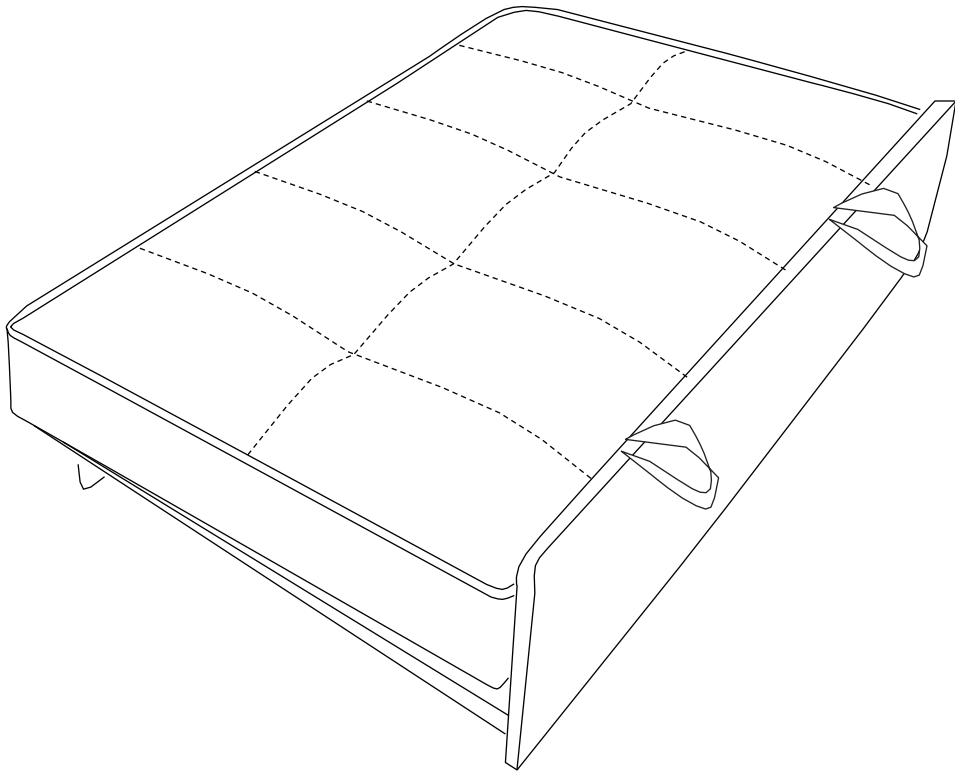
7



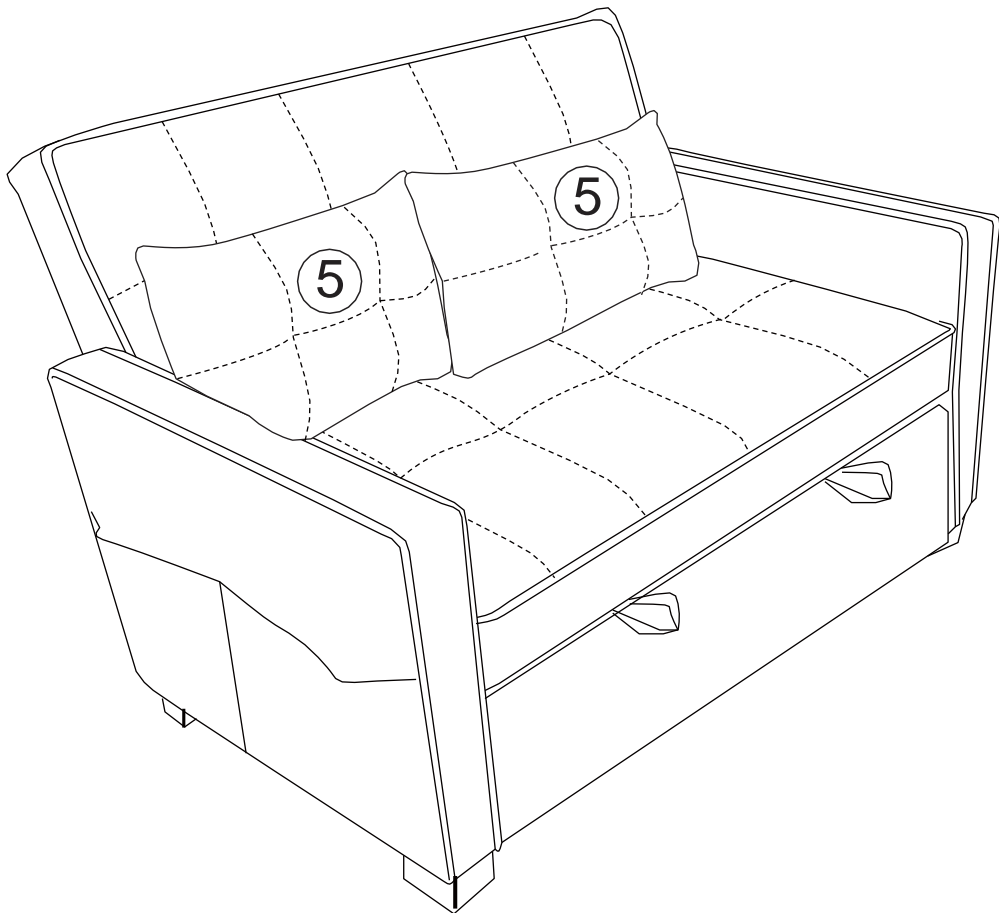
8



9

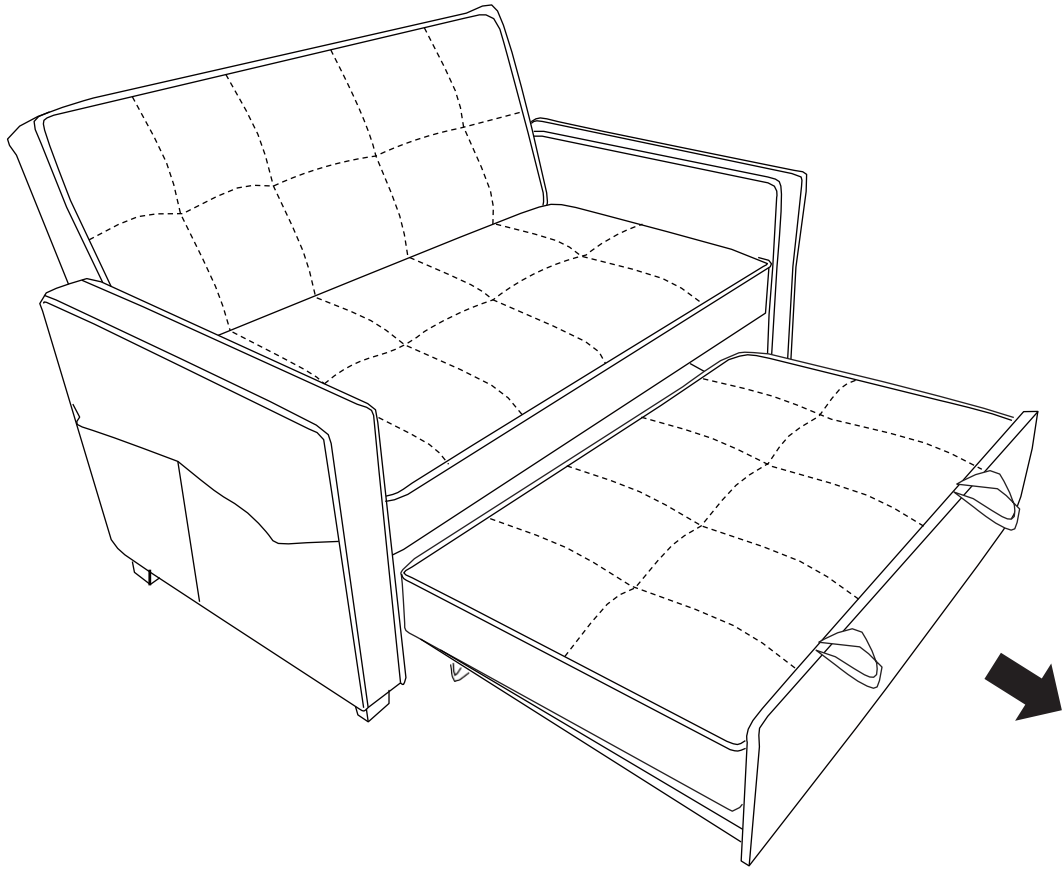


10

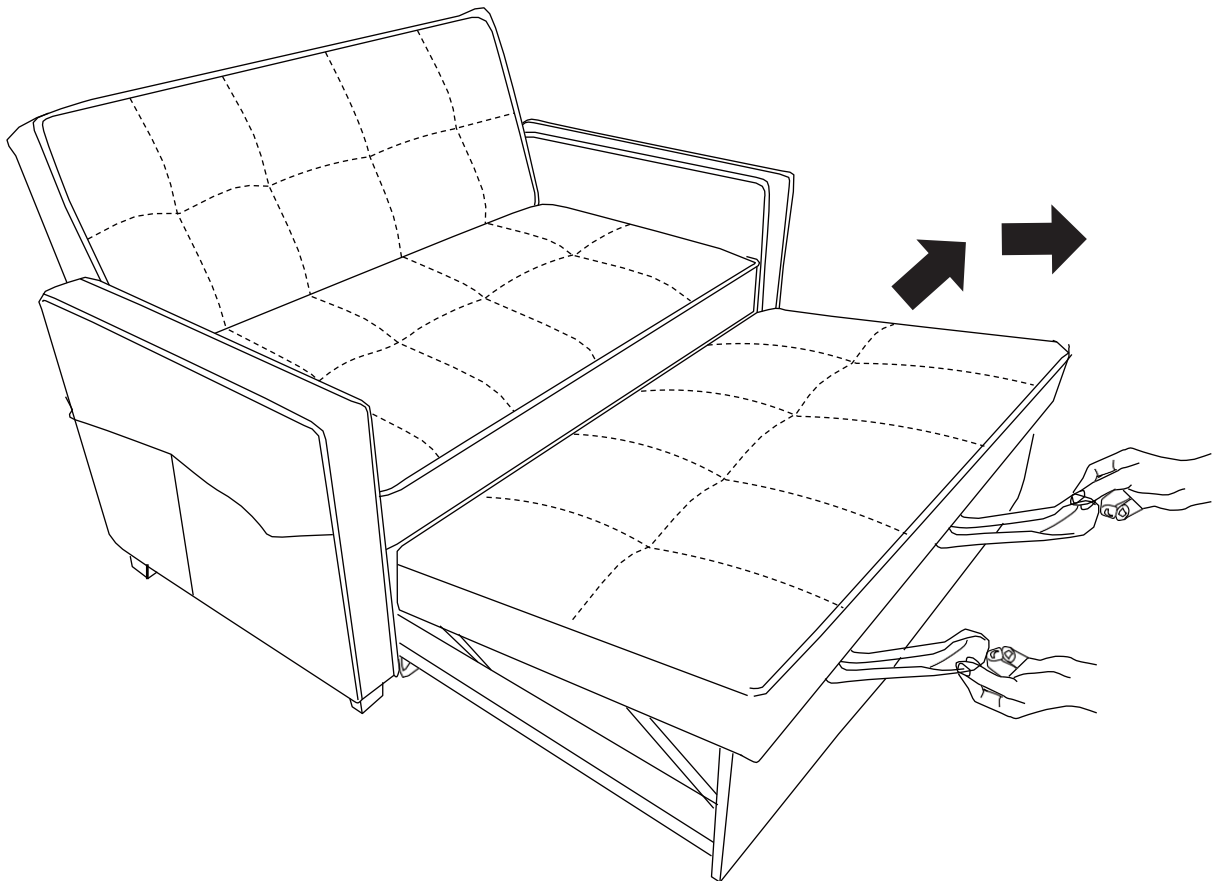




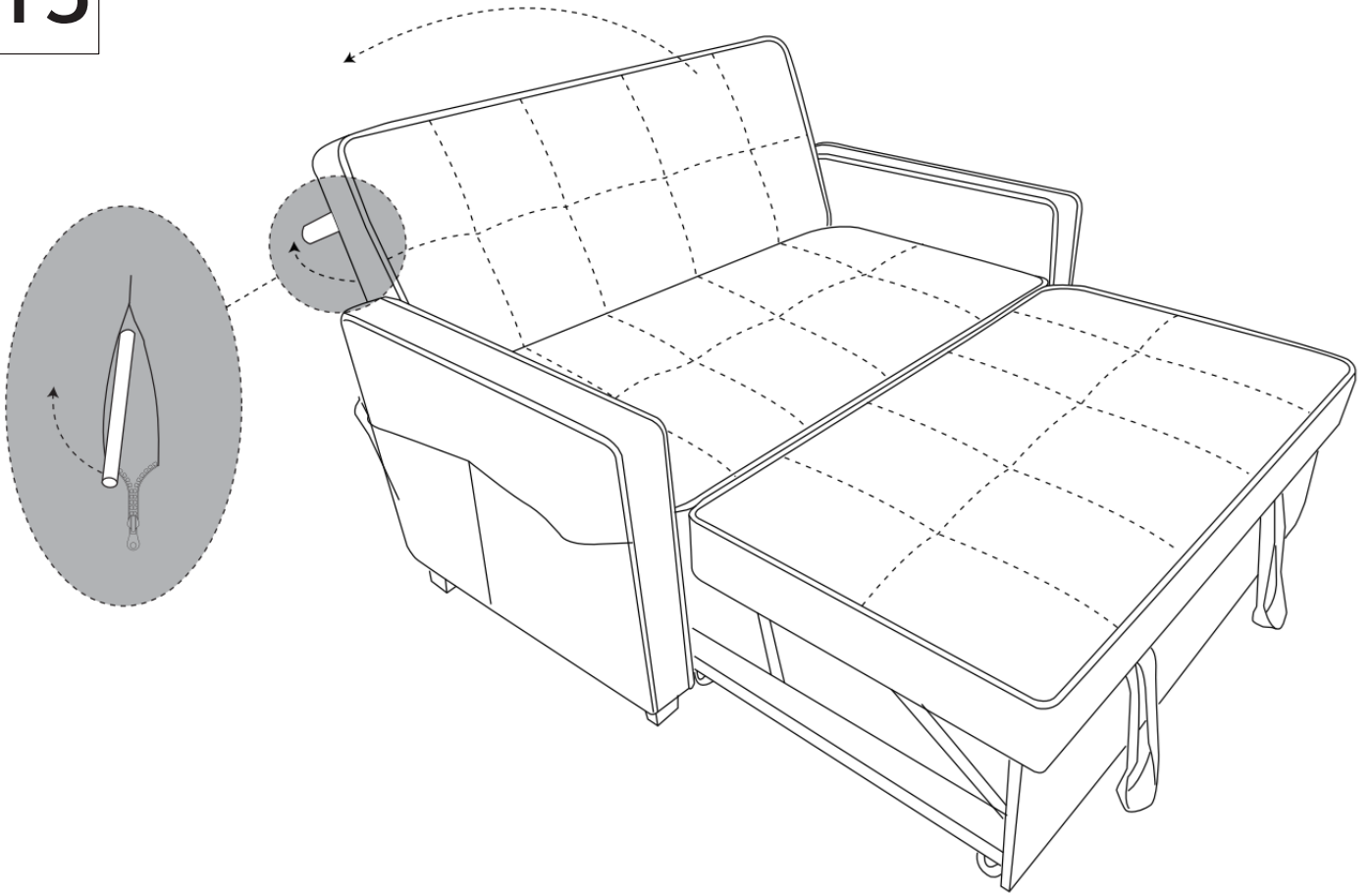
11



12



13



14

