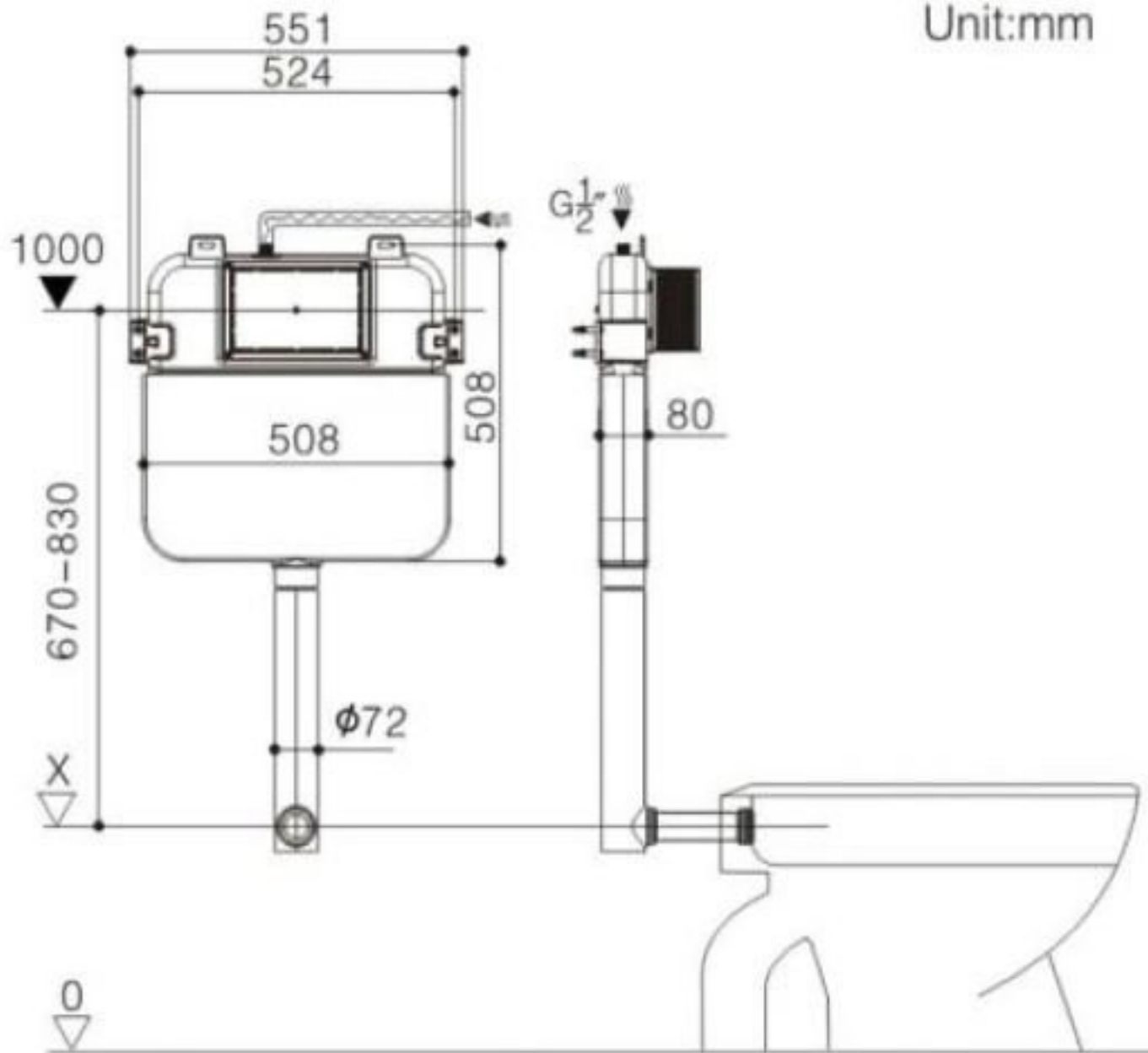


Unit:mm



0
▽ Floor after decorated