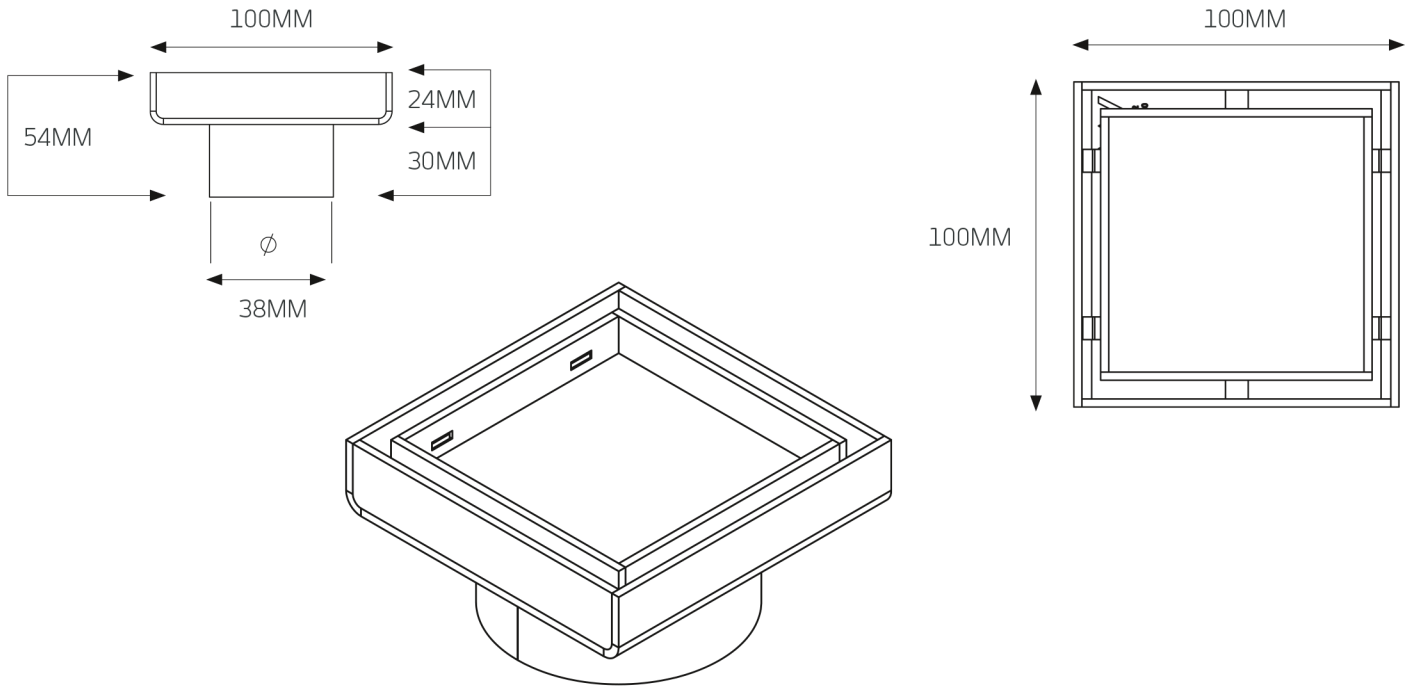







316-RGS-100-38 – 100 x 100 x 38mm



FEATURES	CODE	SIZE (MM)	COLOURS
<ul style="list-style-type: none"> • 316 Marine Grade Stainless Steel • Width: 100mm * • Length: 100mm * • 100mm grates are not recommended to be used directly below unrestricted rain showers. • Rolled edges to all exposed edges • Matt Black grates are Teflon Coated • All other colours are PVD coated • 12mm deep insert can accommodate up to 10mm tile + adhesive • Covered by a 7 year warranty * 	316-RGS-100-38	100x100x38	Stainless Steel 
	316-BLK-RGS-100-38	100x100x38	Matt Black 
	316-GMG-RGS-100-38	100x100x38	Gun Metal Grey 
	316-GLD-RGS-100-38	100x100x38	Brushed Gold 
	316-BN-RGS-100-38	100x100x38	Brushed Nickel 

Please note: Due to manufacturing constraints beyond our control, our coloured floor grates may have minor colour variances in different batches, so may be slightly different to the images and colour samples you may have seen.

* The replacement warranty for the coated grates are only applicable until the date of installation. Once Installed any damage to the coatings due to the incorrect use of cleaning products, mis-use or accidental damage, will not be covered under warranty.