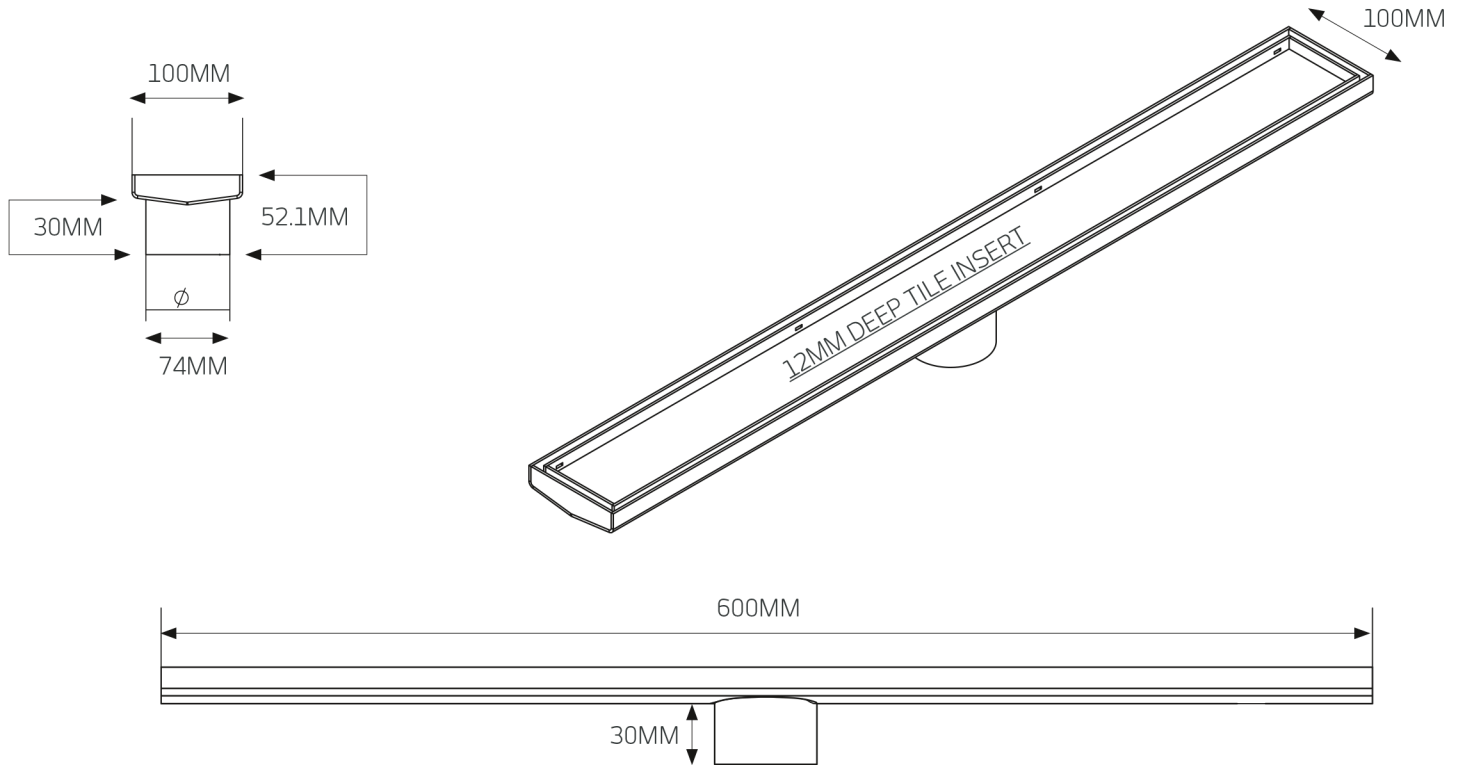







316-RGL-600 – 600 x 100 x 74mm



FEATURES	CODE	SIZE (MM)	COLOURS
• 316 Marine Grade Stainless Steel	316-RGL-600-74	600x100x74	Stainless Steel 
• Width: 100mm	316-BLK-RGL-600-74	600x100x74	Matt Black 
• Length: 600mm	316-GMG-RGL-600-74	600x100x74	Gun Metal Grey 
• Rolled edges to all exposed edges	316-GLD-RGL-600-74	600x100x74	Brushed Gold 
• Matt Black grates are Teflon Coated	316-BN-RGL-600-74	600x100x74	Brushed Nickel 
• All other colours are PVD coated			

- 12mm deep insert can accommodate up to 10mm tile + adhesive
- With fixed central wastes
- Covered by a 7 year warranty *

Please note: Due to manufacturing constraints beyond our control, our coloured floor grates may have minor colour variances in different batches, so may be slightly different to the images and colour samples you may have seen.