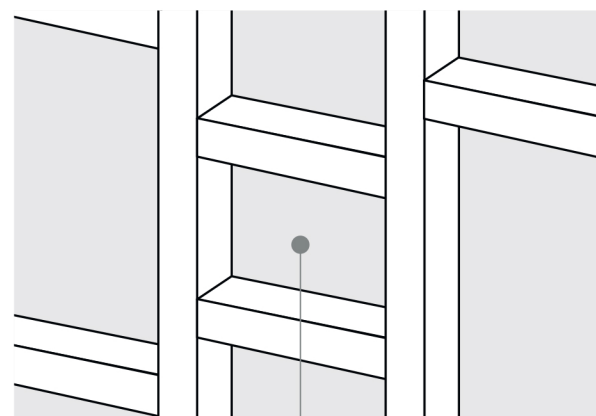


THERMANICHE INSTALLATION

STUD WALLS

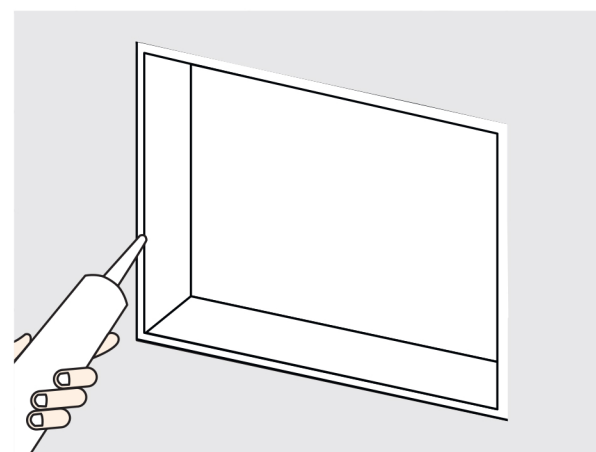
1. POSITIONING

Studs and noggins should be installed to accommodate the desired position of your Thermaniche. Typically 1.2m above the floor height. Secure both top and bottom with wall fastenings supplied.



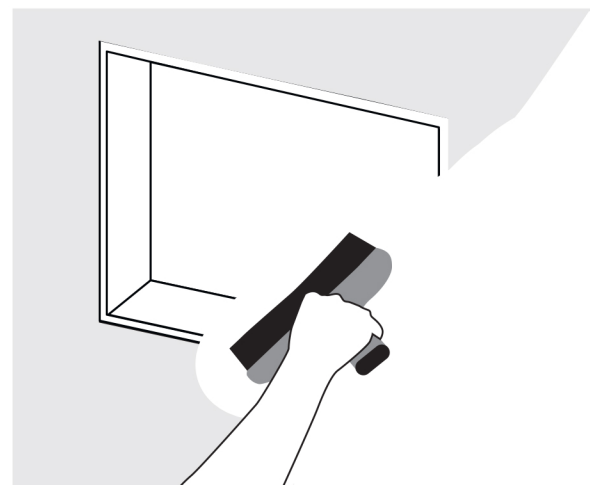
Place niche between studs

Allow for the front of the niche to sit flush with the wall sheets. Use a silicon sealant between the backboard and around the pre-fabricated shower niche.



2. APPLY WATERPROOFING MEMBRANE

All fixings and joints will then need to have a waterproof membrane applied over them. Whilst the ThermaNiche product has been pre-waterproofed, we would suggest that the waterproofing membrane is applied to the whole area prior to tiling.



3. START TILING

Your niche is now ready to tile. After the waterproof membrane has dried, the walls around the niche can be tiled.



ThermaNiche

installation instructions

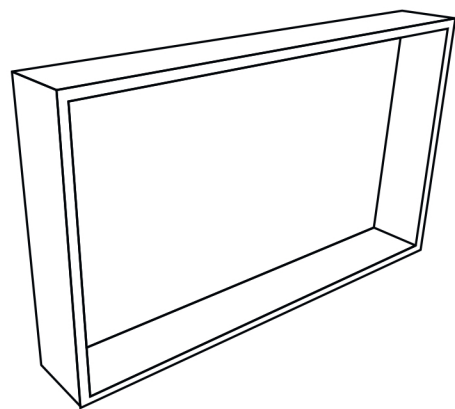
THERMANICHE INSTALLATION



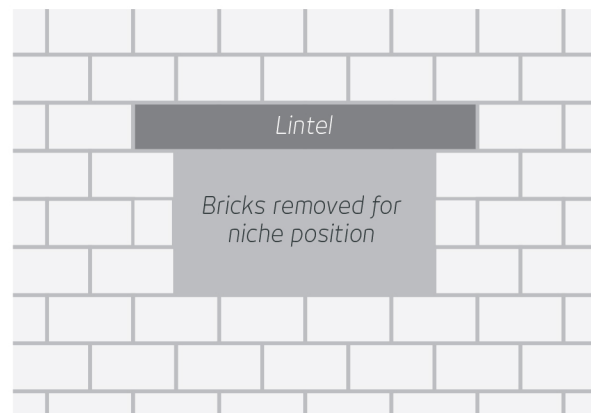
BRICK WALLS – RENOVATION

1. DETERMINE LOCATION + CUT OUT INTERNAL LEAF

Radiant ThermaNiches are pre-fabricated to the thickness of a single brick (90mm), and designed for use in a double brick wall.



Measure the size and position of the niche on your existing double brick wall, then carefully remove the necessary bricks, ensure space for an additional lintel above the niche.



N.B It might be advisable that you align to mortar joints at the top for ease of installation.

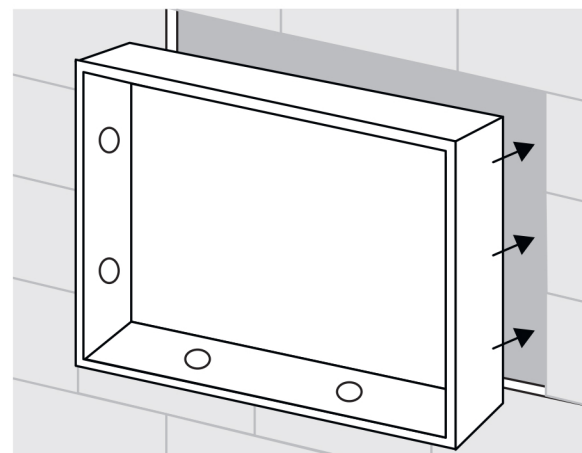
Install the brick or steel lintel above the niche space prior to inserting the niche into position.

2. CLEAN WORK AREA + APPLY SEALANT OR MORTAR

Before starting the installation process, please check if the work area is clean. Make sure that the surface is clean and free of adhesion-reducing substances. Apply sealant on the wall to fasten the built-in set.



Insert niche to wall and fix with with the fixings included in the pack.



3. APPLY WATERPROOFING MEMBRANE

All fixings and joints will then need to have a waterproof membrane applied over them. Whilst the ThermaNiche product has been

pre-waterproofed, we would suggest that the waterproofing membrane is applied to the whole area prior to tiling.

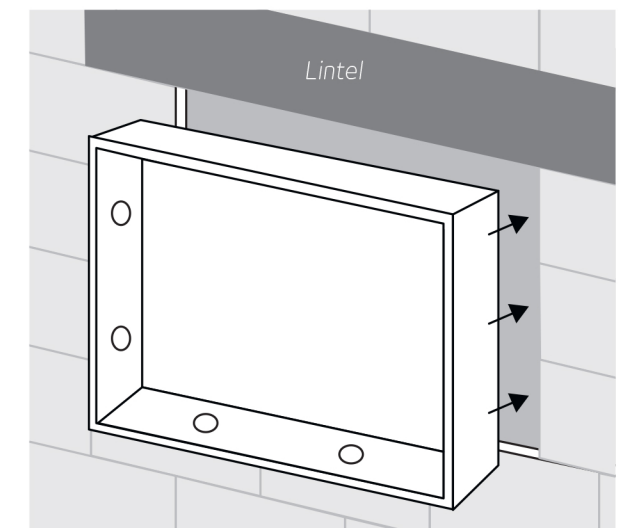


4. START TILING

Your niche is now ready to tile. After the waterproof membrane has dried, the walls around the niche can be tiled.

BRICK WALLS – NEW BUILD

For New Builds, construct the internal leaf with a hole corresponding to the size of the niche, using a brick or steel lintel (allow 10/20mm extra so that the niche can be mortared in).



If the niche height does not correspond exactly to the brick course, you may need to cut the base brick to ensure the niche will fit comfortably.

Mortar the niche into place and complete waterproofing and tiling during the normal construction process (see stage 3).