



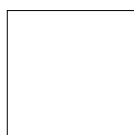


Inspired by the angular geometry and minimalist monochromatic colour pallet of the mid-century brutalist movement, Pere basins complement any contemporary interior. The Pere round basin offers a generous size wash basin while compact enough to suit most modern vanities.

The Pere round is available for order in solid surface white with a chrome pop-up plug and waste or optional matching solid surface white waste cap. Pere round can be mounted above counter or semi-inset and is available with Omvivo Softskin finishes. See Pere round semi-inset basin and Softskin specification sheets for more information.

SPECIFICATIONS

Finishes:



Matt White

Softskin Finish:

Available, refer to Softskin Finishes document

Dimensions:

380mm x 380mm x 130mm

Material:

Solid surface

Overflow:

No

Waste Size:

32mm

Waste Supplied:

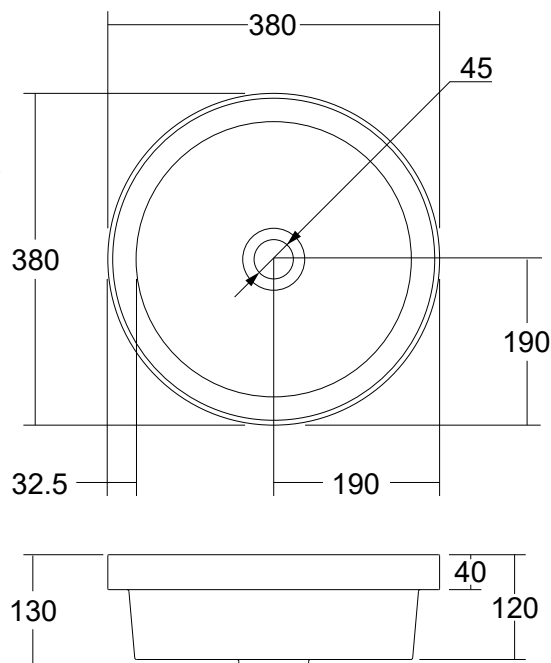
Yes - 32/40mm - with chrome pop-up waste (white solid surface cap option available)

Weight:

5.9kg

Bowl Capacity:

7.9L



Dimensions are shown in millimetres. Due to the handcrafted nature of Omvivo products measurements are subject to a +/- 5mm manufacturing tolerance.