





The Omvivo Washplane is designed to turn everyday routines into luxurious experiences. Ideal for both residential and commercial environments, the sleek appearance of the Omvivo Washplane features concealed plumbing and is supplied with hardware and drainage system to be installed into a cavity wall. The soft fluid lines of the seamless Onda Washplane form a refined basin with universal appeal. Custom sizes and colour options are available.

SPECIFICATIONS

Finishes:



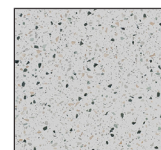
White



Cloud (D)



Aria Carrara (P)



Terrazzo (P)

D: Deluxe
P: Premium

Material:

Solid surface – 100% Acrylic

Configurations:

Single – 800 mm or 1180 mm
Double – 1600 mm or 2100 mm
Triple – 2250mm
Custom sizes and configurations available

Assembly:

- Washplane top
- Stainless steel cantilever brackets
- Zinc plated steel mounting frame
- Stainless steel tray
- Stainless steel removable drainer
- Stainless steel fascia
- Saddles for locating top on brackets

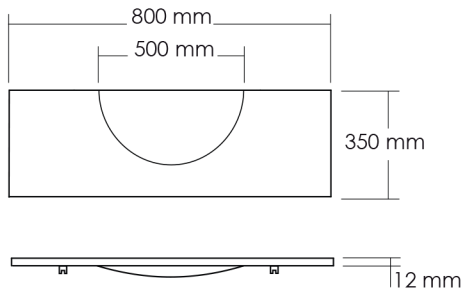
Installation information:

A cavity wall is needed to house the hardware and plumbing. Pre installation documents are available on request. Refer to the installation documents for full install details.

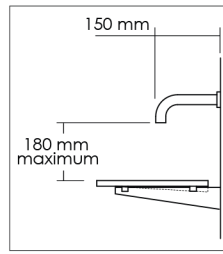
Important faucet details:

Use a 200 mm wall spout/faucet for all Washplanes with the exception of the single 800 which requires 150 mm. For best results, select a spout/faucet with a cascade style aerator (no spray) that uses approx 5 litres per minute with the water falling at a 90 degree angle directly onto the Washplane top.

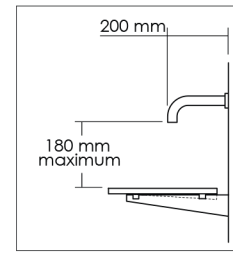
Onda 800 Single:



Faucet Details:

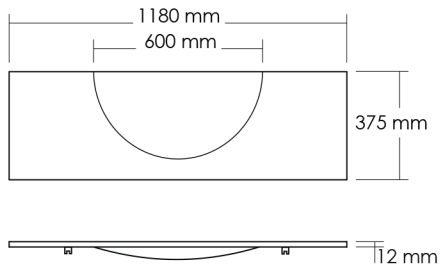


Suitable for Onda 800



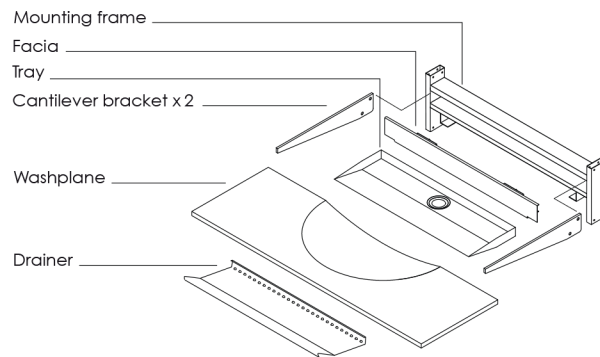
Suitable for Onda
1180/1600/2100/2250

Onda 1180 Single:

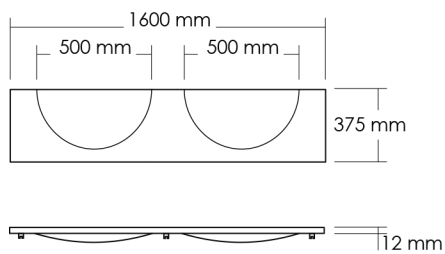


Components:

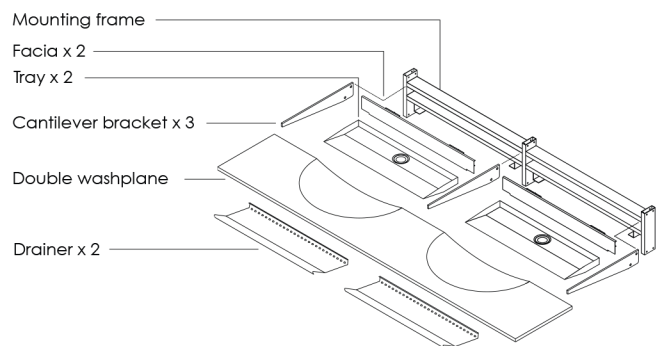
Onda Single



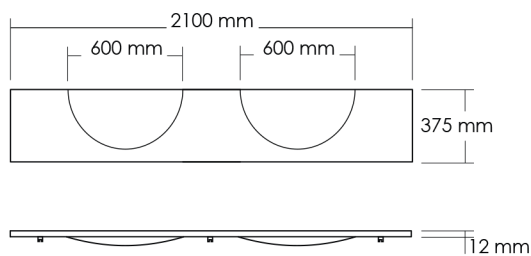
Onda 1600 Double:



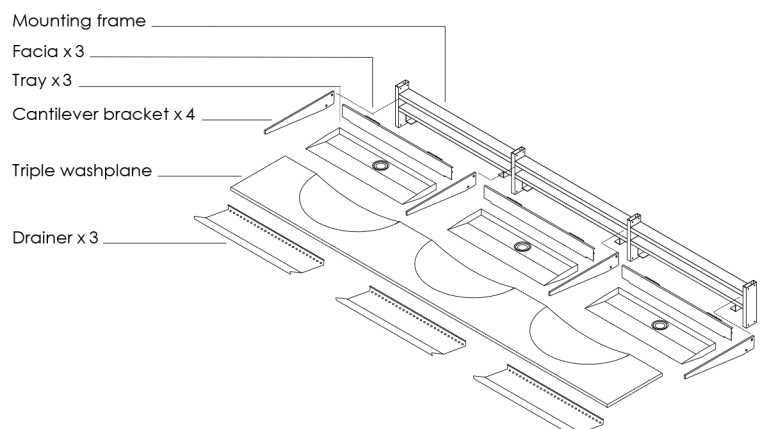
Onda Double



Onda 2100 Double:



Onda Triple



Onda 2250 Triple:

