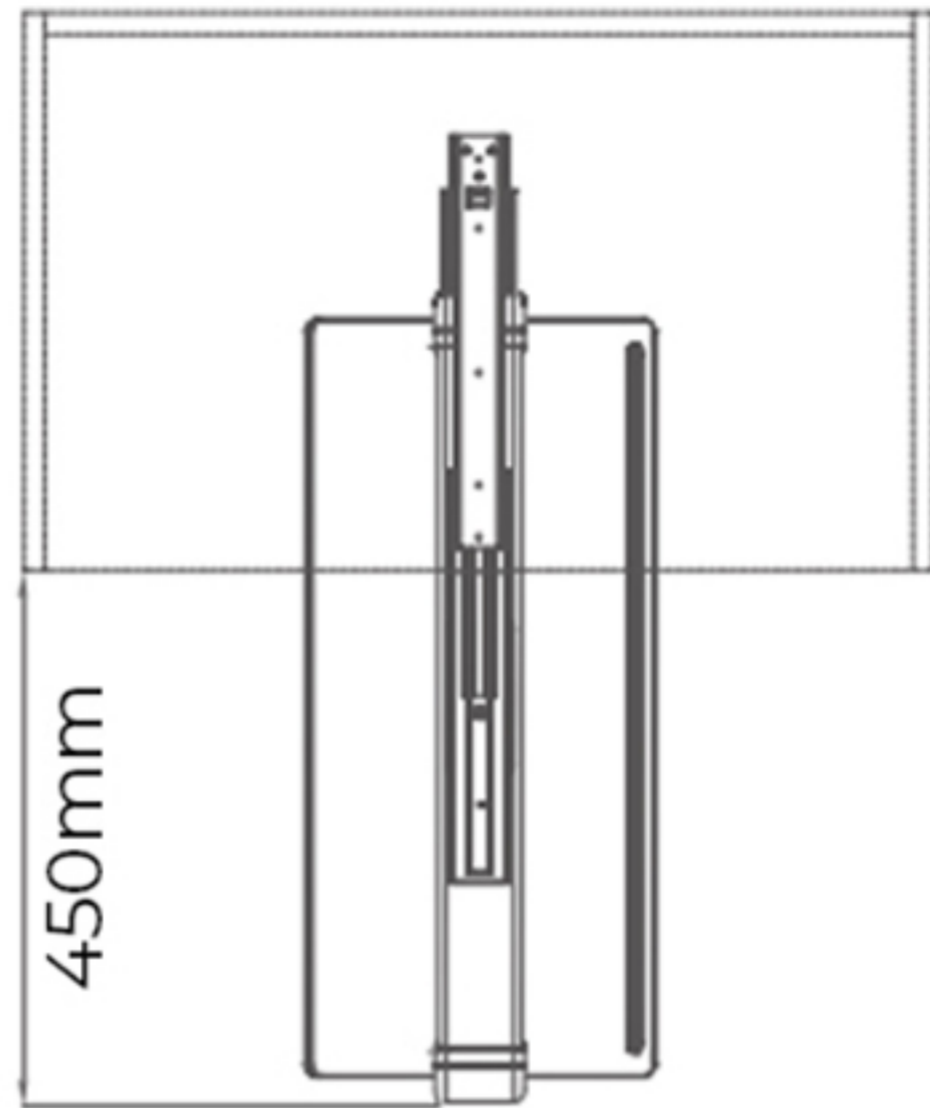
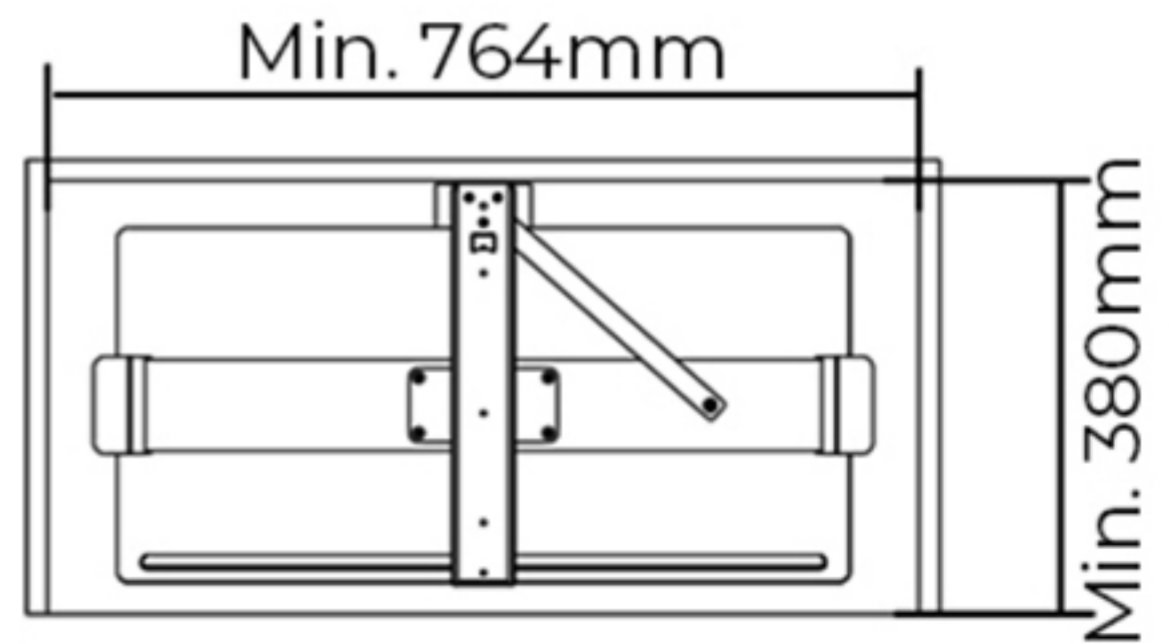


**FRONT VIEW** *Unit Dimensions*



**TOP VIEW** *When Pulled Out*



**TOP VIEW** *Internal Cabinet Requirements*