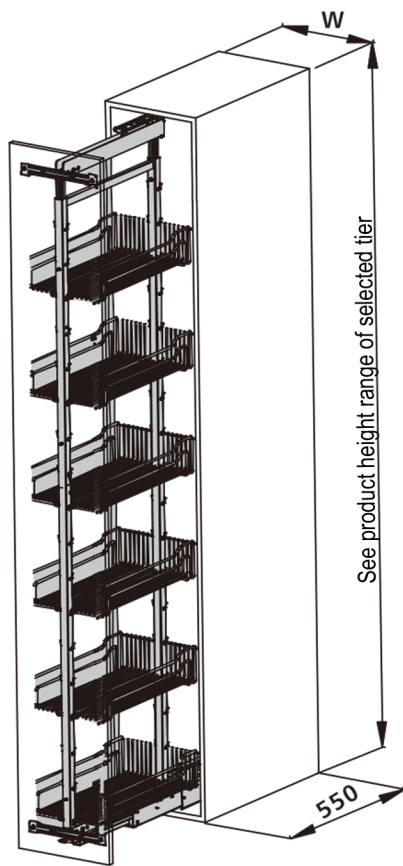


This installation manual is for the following cabinet and height models:

CABINET	W x D x H	REMARK
300mm *	250x500x(1259-1659)mm	4 Layers
300mm	250x500x(1659-2059)mm	5 Layers
300mm	250x500x(1959-2359)mm	6 Layers
400mm *	350x500x(1259-1659)mm	4 Layers
400mm	350x500x(1659-2059)mm	5 Layers
400mm	350x500x(1959-2359)mm	6 Layers

\*currently not available



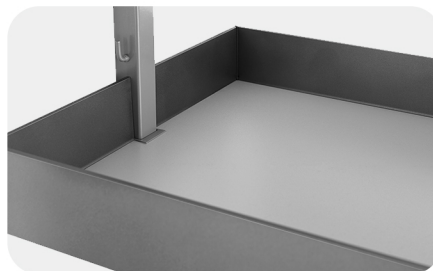
## FEATURES

- Two styles of tray design
- Soft close heavy duty runner
- Two widths to suit standard cabinets:  
300mm (268mm internal)  
400mm (368mm internal)
- Adjustable frame heights:  
Low: 1259-1659mm  
High: 1659-2059mm  
Very High: 1959-2359mm
- Adjustable tray positions
- Up to 8kg load per tray
- Full extension display

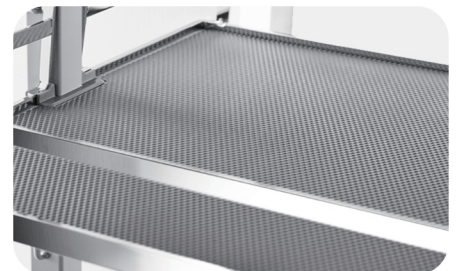
### Note:

Shelf style in diagram may differ from your model

## TRAY SHELF STYLES

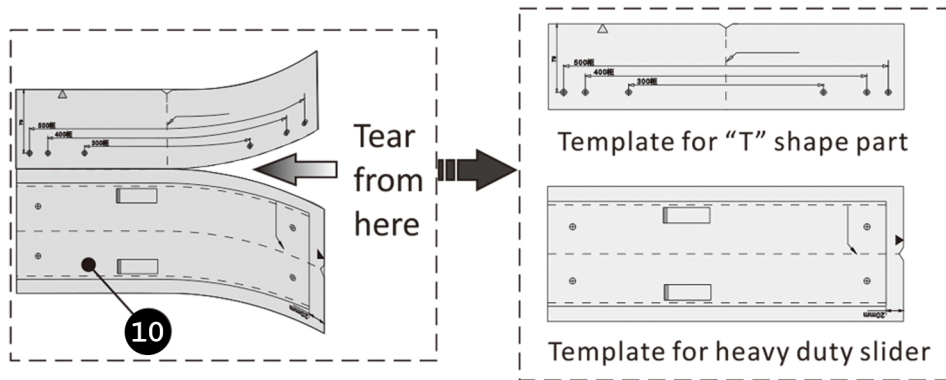


**Shearer Style**  
Aerospace grade aluminium  
with MDF base and anti-slip mats



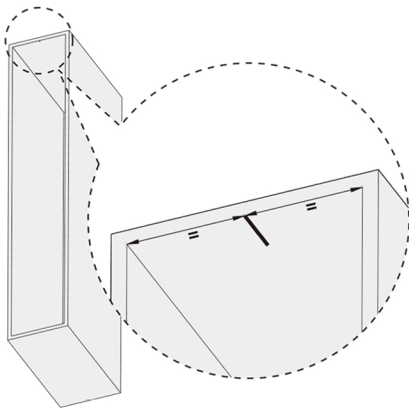
**Diamond Style**  
Nanocoated grey railings  
with MDF base and anti-slip mats

## ▶▶▶ Drilling template

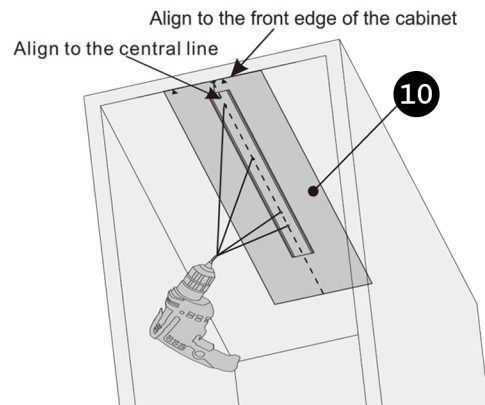


## ▶▶▶ Installation of top runner

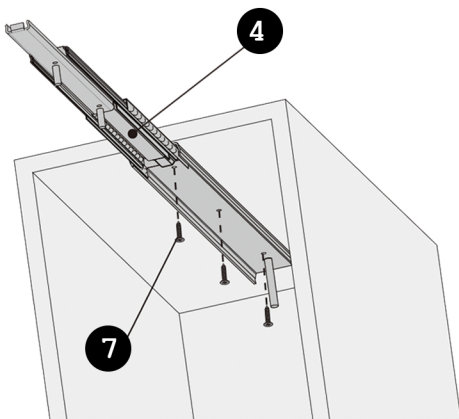
**1.1.** Draw the central line on the cabinet ceiling.



**1.2.** Drill 3x  $\varnothing 2.5\text{mm}$  holes according to the template.

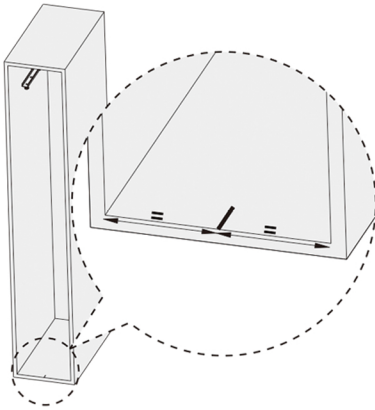


**1.3.** Fasten the top runner with 3pcs of screws.

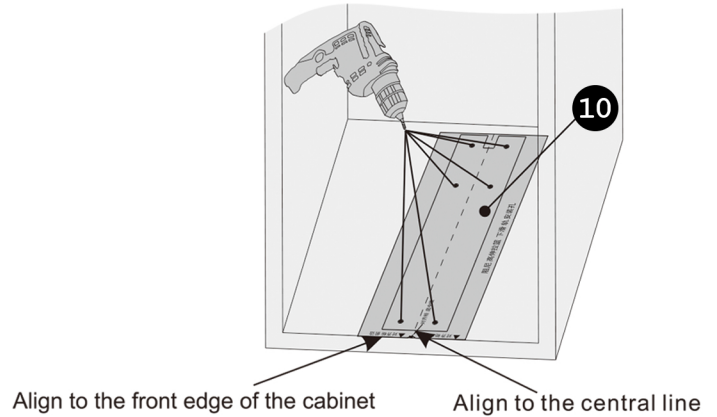


## ►► Installation of bottom runner

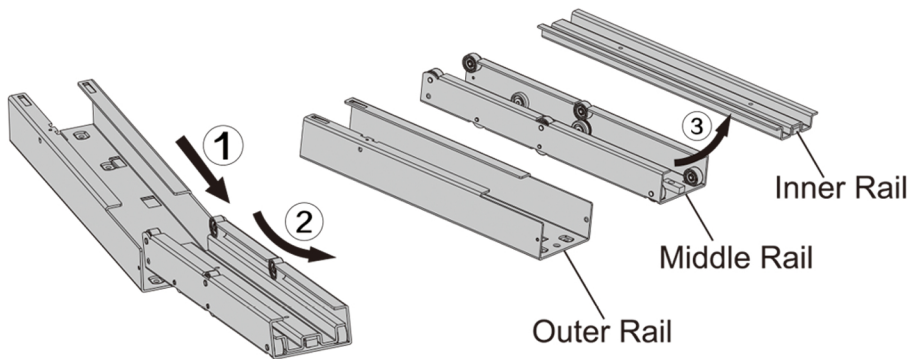
**2.1.** Draw the central line on the cabinet base



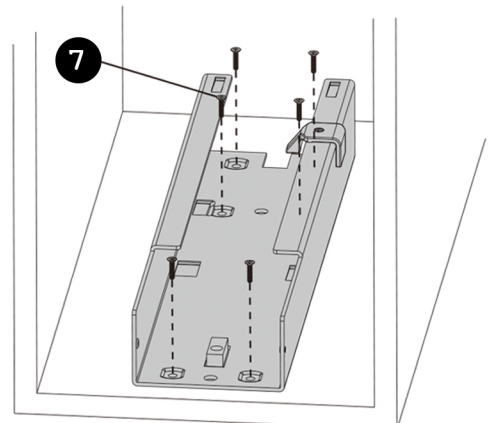
**2.2.** Drill 6x  $\varnothing 2.5\text{mm}$  holes according to the template



**2.3.** Pull out the runner until it separates into three individual parts

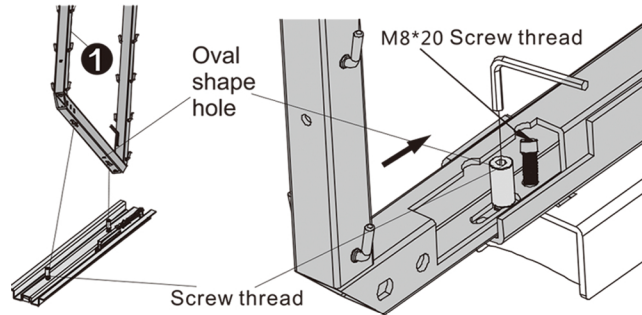


**2.4.** Fasten the outer rail with 6pcs of screws



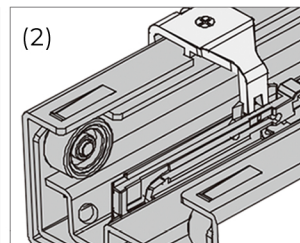
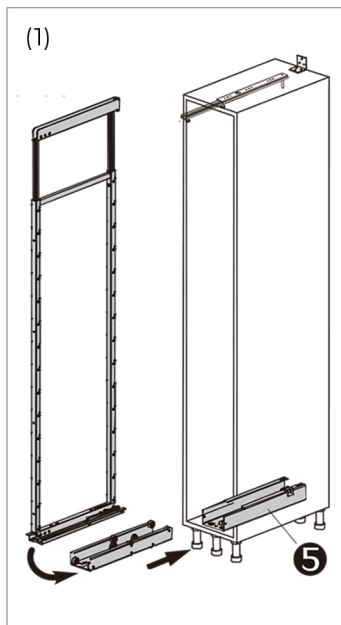
## ►► Installation and adjustment of the frame

### 3.1. Combine the frame with the inner rail.



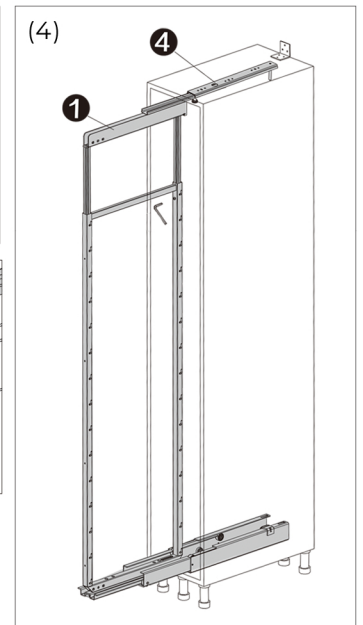
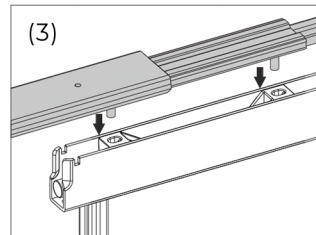
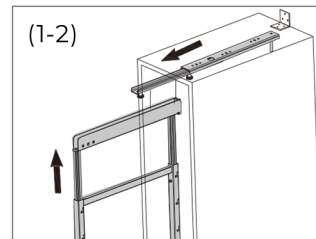
### 3.2. Assemble the heavy duty bottom runner.

- (1) Insert the middle and inner rails to the outer rail.
- (2) Clean the runner before sliding it in and out.
- (3) After the installation is finished, pull the runner back and forth to ensure it is working properly.



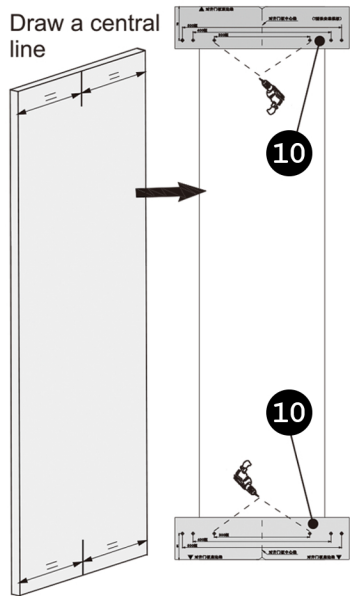
### 3.3. Connect the frame to the top runner.

- (1) Fully extend the top runner.
- (2) Loosen the frame's screw bolt and adjust the height.
- (3) Make sure that the roller of the top runner matches with the frame
- (4) Fasten the frame's screw bolt.



## ►► Installation of door panel

**4.1.** Draw and drill two holes on both end of the door panel.



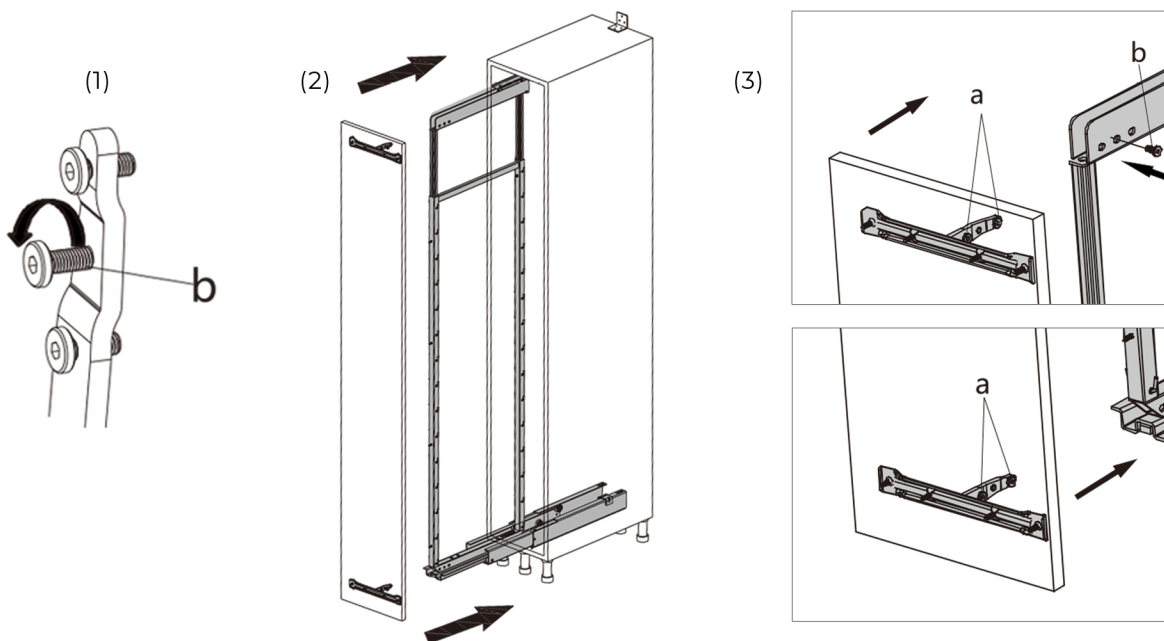
**4.2.** Install the T-shape brackets.



Cabinet	Y
200	125mm
300	225mm
400	325mm
500	425mm

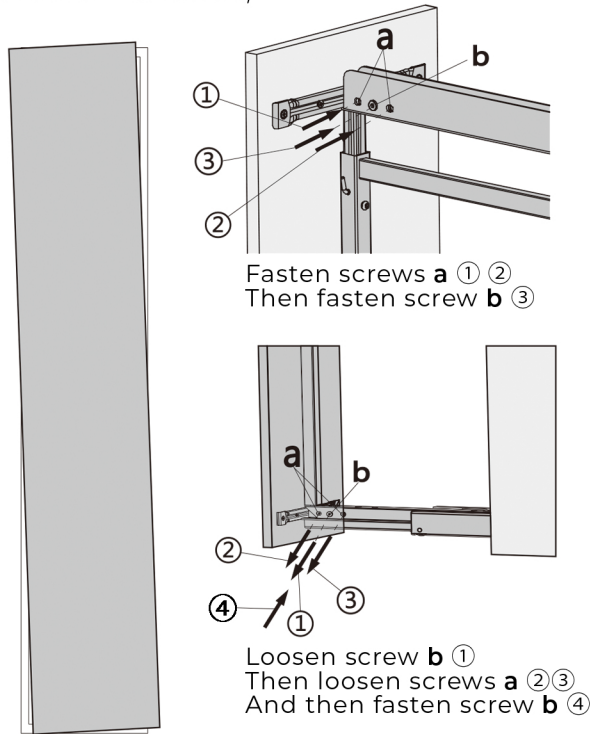
**4.3.** Attach the T-shaped brackets to the frame.

- (1) Loosen screw **b** on each of the T brackets.
- (2) Connect the frame with both upper and lower T brackets.
- (3) Secure the frame by fastening screw **b**.

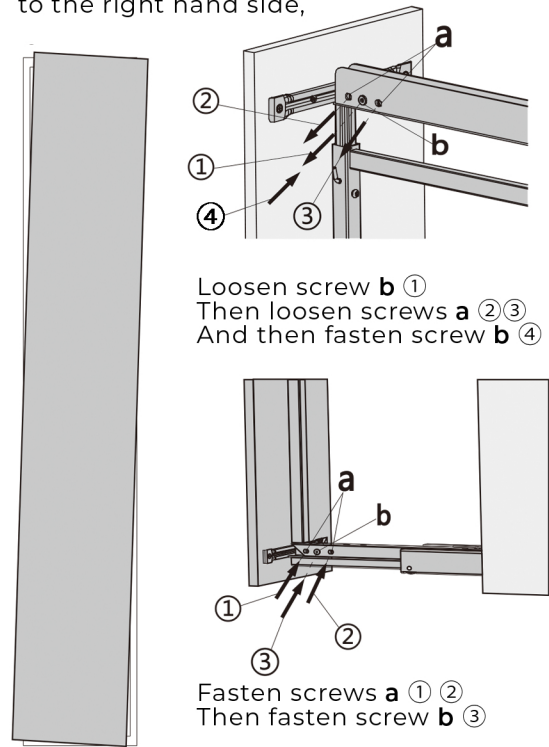


## Adjustment of door panel

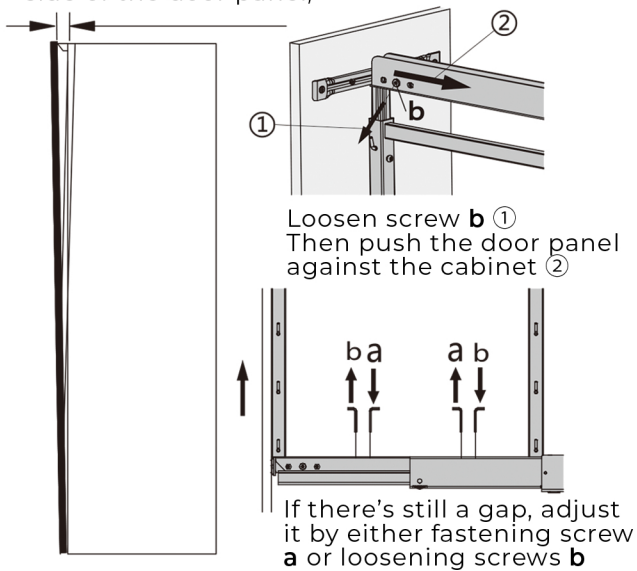
If the door panel is leaning to the left hand side,



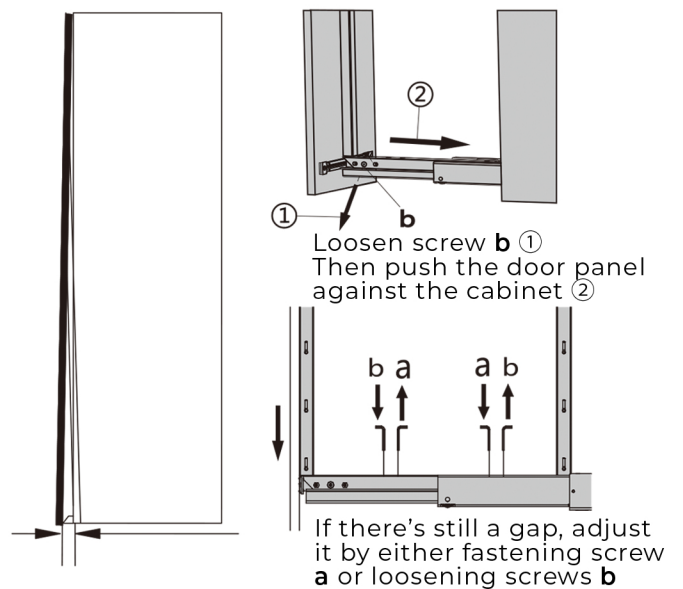
If the door panel is leaning to the right hand side,



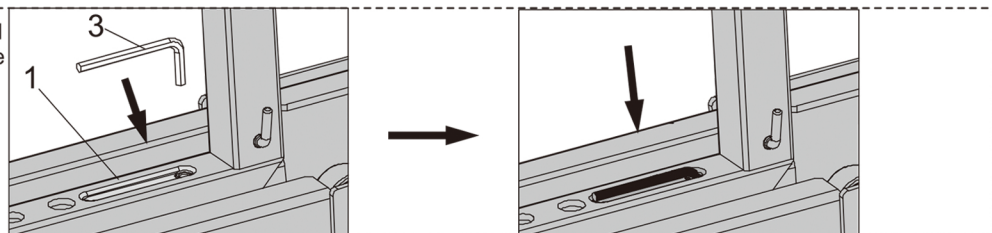
If there is a gap at the upper side of the door panel,



If there is a gap at the lower side of the door panel,



The adjusting nut is located at the rear side of the frame



## ►► Installation of U-shaped brackets and baskets

- 5.1.** Screw and fasten all necessary screws and U-shaped brackets. All provided U-shaped brackets must be installed to ensure safety and stability.
- 5.2.** Place the baskets according to the actual height of the frame. Each basket can be installed according to the desired placement and to accommodate pantry items of different heights.

