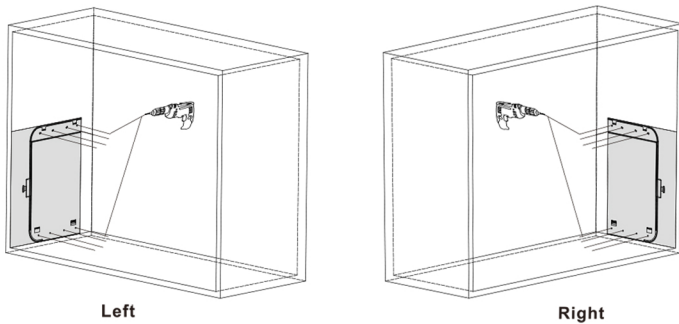


This manual is for the following external cabinet widths:

W	Product Dimension
600mm	564*283*525
700mm	664*283*525
800mm	764*283*525
900mm	864*283*525

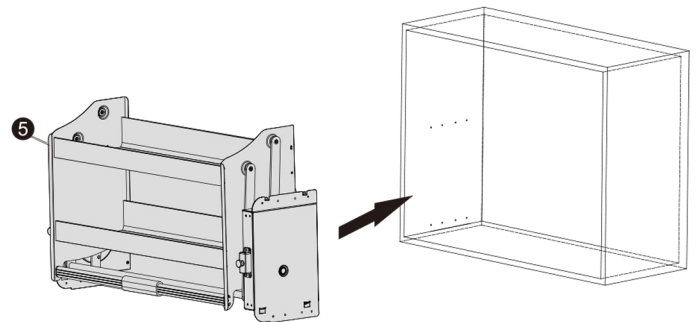
Illustration for drilling

① Fold the drilling template (4) according to the dotted lines and place on the internal cabinet wall

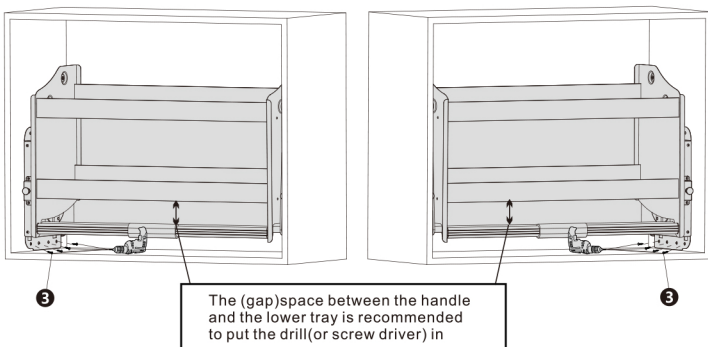


Installation Display

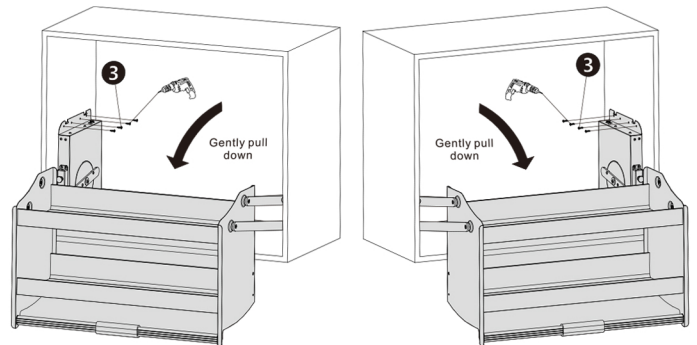
② Place the lifter (5) on the cabinet by matching the prebored drilling holes



③ Fix the mechanism to the cabinet using 8 pcs of ST screws (3) as illustrated

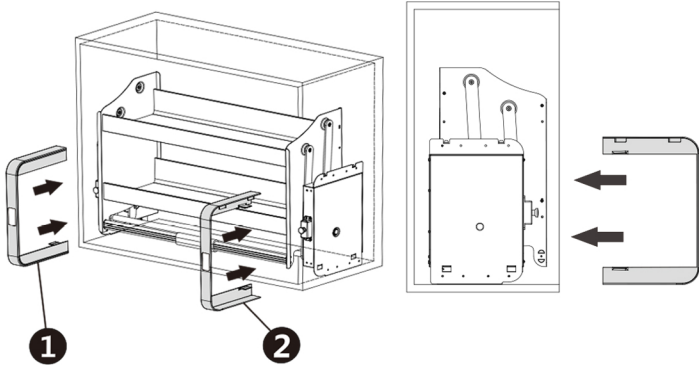


④ Switch the gear to the soft tension and affix the mechanism with the remaining 8 pcs of ST screws as illustrated

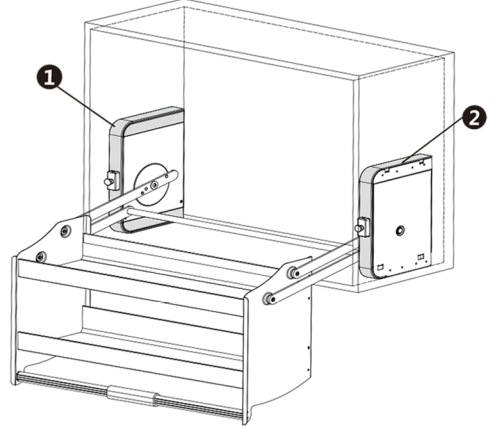


Installation of the decorative cover

5 Push the decorative covers (1) and (2) against the sides of the lifter (5) as illustrated



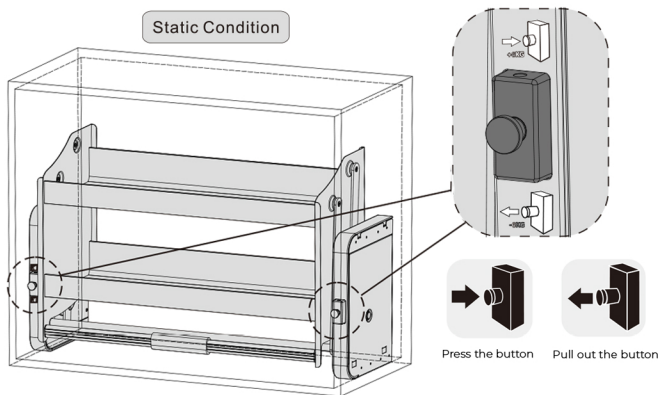
Complete decorative cover installation shown below



Installation of the tension

6 As illustrated, adjust the tension with the buttons on both sides of the mechanism.

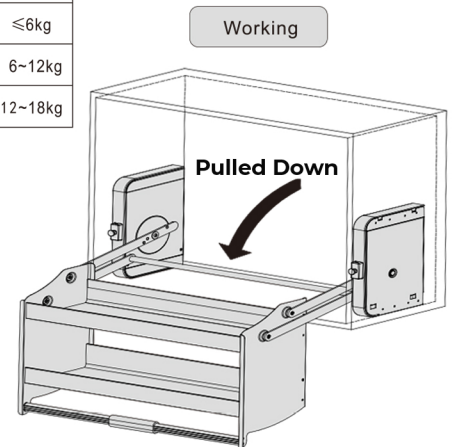
Note: The tension can only be adjusted when the unit is at rest / sitting firm in the cabinet.



! Do not adjust when the unit is working.

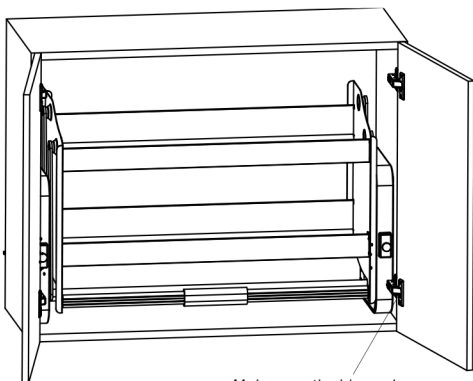
Gear	Illustration	Buttons status	Loading Capacity
Level 1		Pull out both left and right buttons	≤6kg
Level 2		Press one of the buttons	6~12kg
Level 3		Press both buttons	12~18kg

Example:
 0~6 kgs Level 1
 7~12 kgs Level 2
 13~18 kgs Level 3



Installation of the cabinet doors

7 Cabinet doors are recommended to be installed after mounting the lifter into the cabinet



Make sure the hinges have no contact with the product itself

The hinges positions are recommended to be the same as the drilling template.

Notice:

- Three gears are set for the different loading capacity (0-18kgs), it should be based on the weight of which the unit is carrying.
- When switching the gear, make sure the unit is 100% back to the original position.
- Do not increase the tension if the storage shelves are carrying nothing or light stuffings, otherwise the high tension might damage the mechanism or the product itself.
- High tension gear is necessary for heavy stuffing loading, heavy loading might damage the unit in low tension gear.
- Do not carry more than the limited weight, the overweight stuffing might damage the unit.