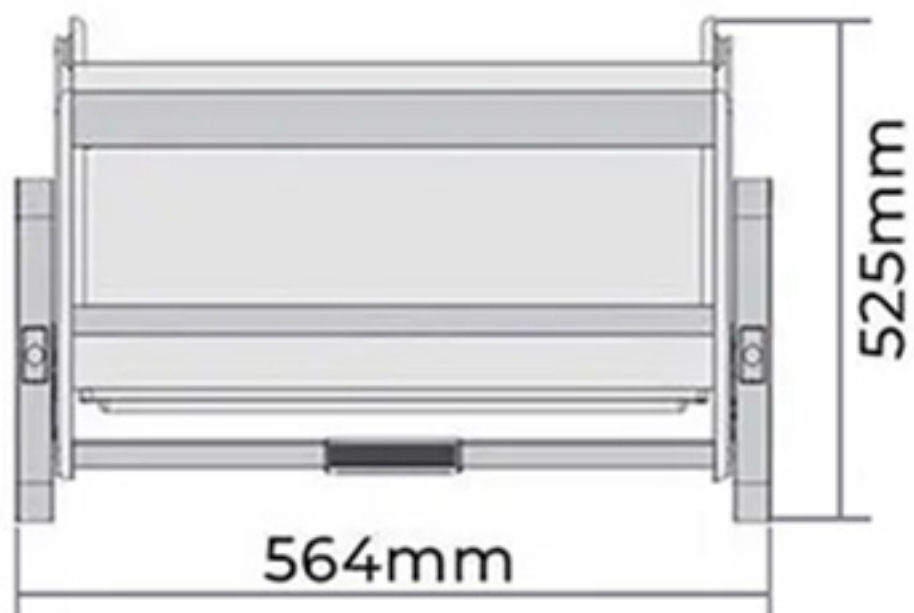


## PRODUCT FRONT VIEW



## EXTERNAL CUPBOARD SIZE

