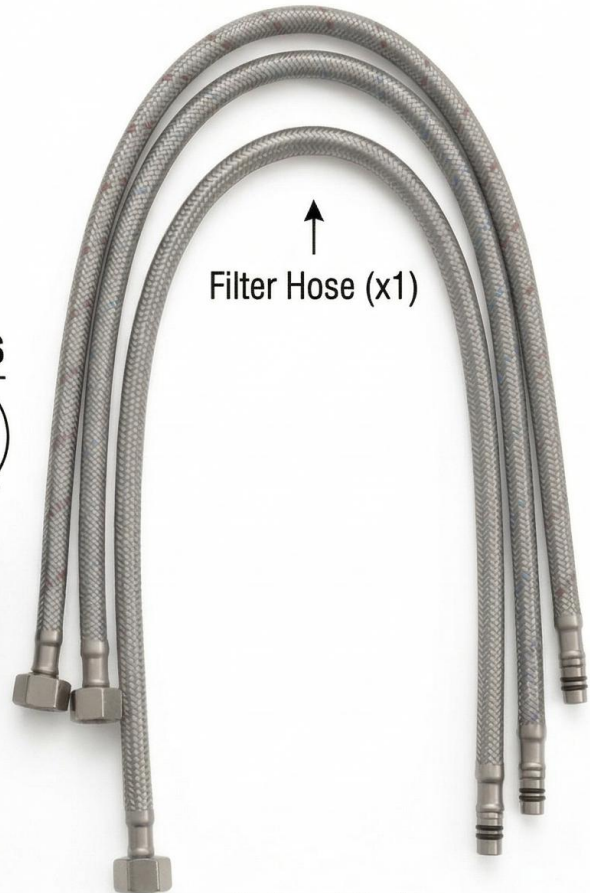


SST876 Elle 304 Stainless Steel Filter Mixer

SST876 Elle 304
Filter Mixer



FLEXIBLE HOSES (3)
Red/Blue Tracer (x2)



↑
Filter Hose (x1)

FITTINGS & GASKETS

Threaded Adaptor Fixing Nut



rubber
washer



flat
washer

Optional Reducer
Adaptor to 6mm Tube

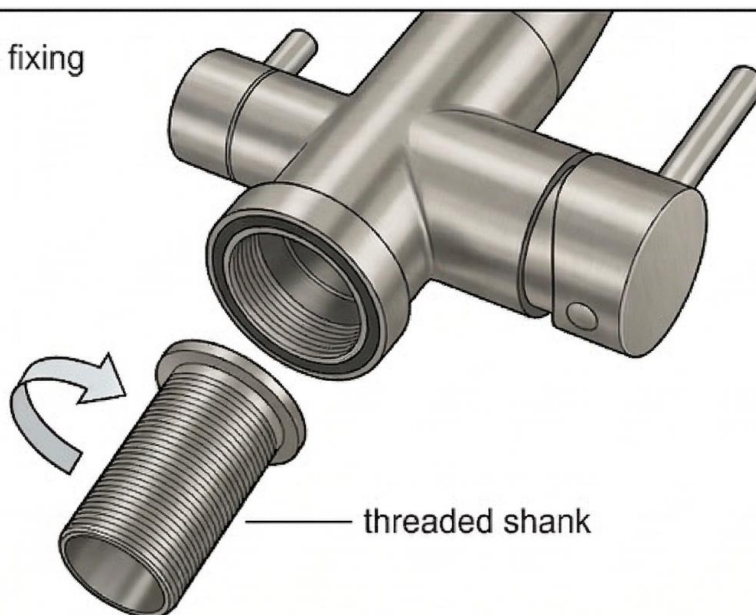


For full product warranty and service information, visit www.linkware.com.au.
Verify all components are present and undamaged before proceeding.

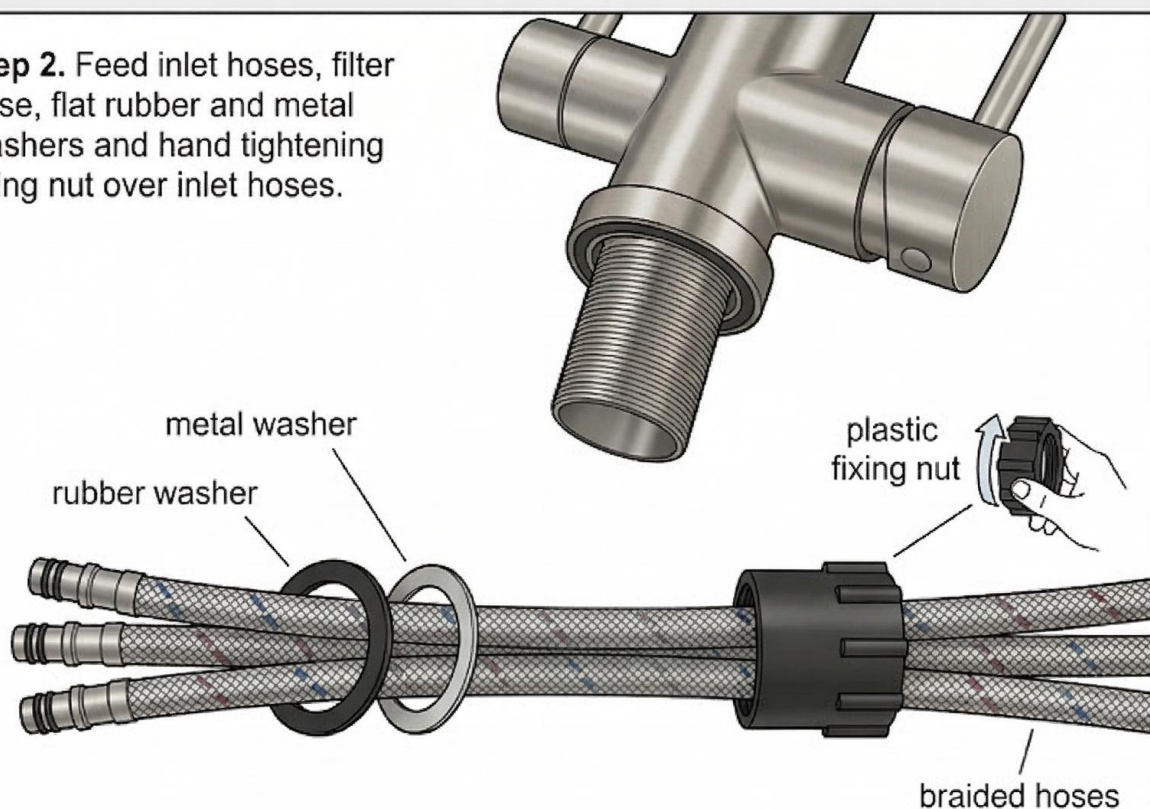
INSTALLATION GUIDE - SST876 Elle 304 Stainless Steel Filter Mixer

PAGE 1

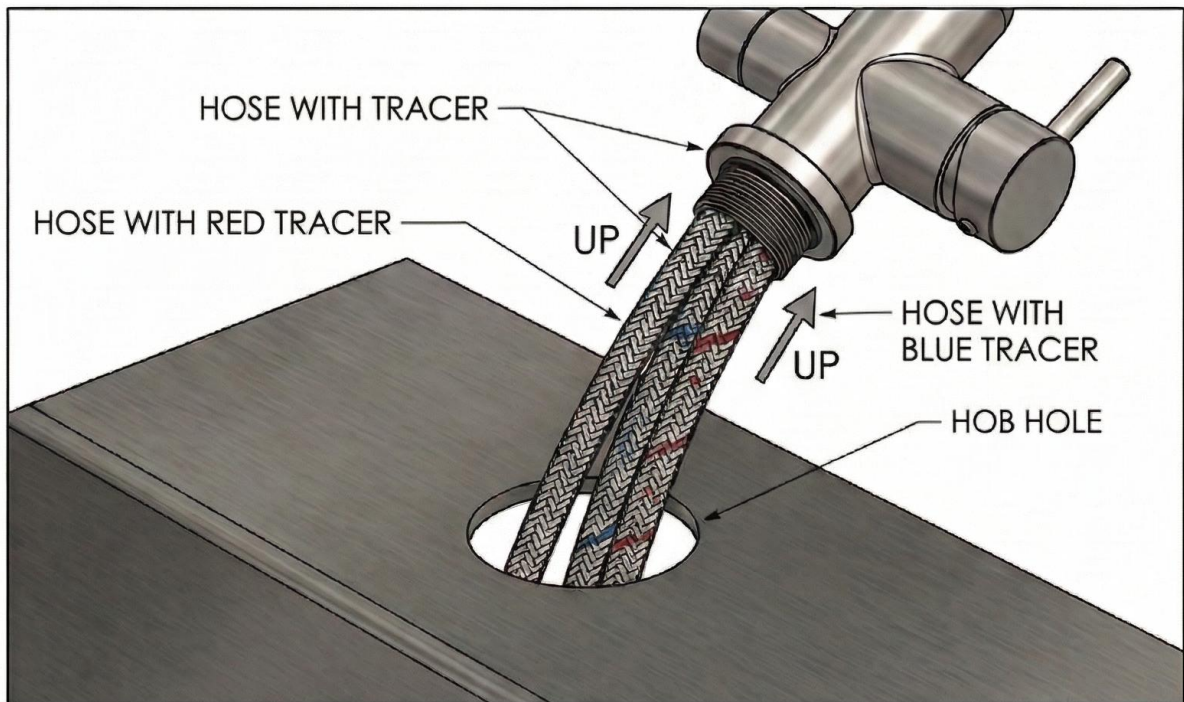
Step 1. Screw threaded fixing into base of mixer



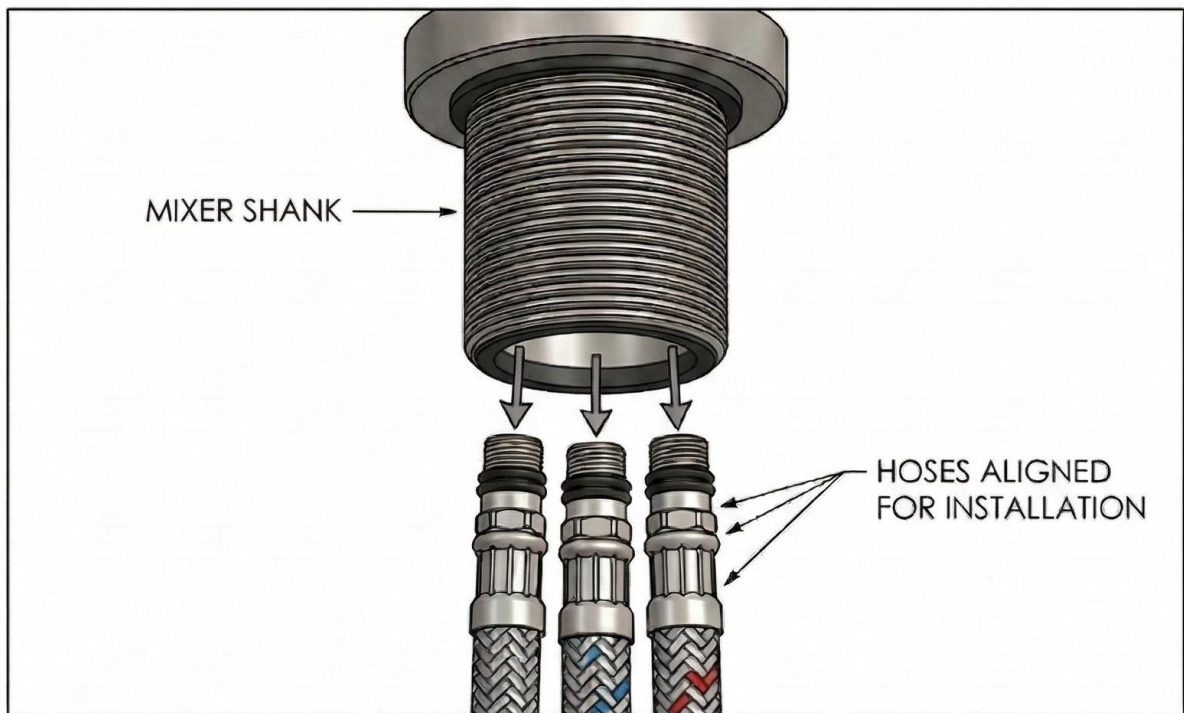
Step 2. Feed inlet hoses, filter hose, flat rubber and metal washers and hand tightening fixing nut over inlet hoses.



INSTALLATION GUIDE - SST876 Elle 304 Stainless Steel Filter Mixer
PAGE 2



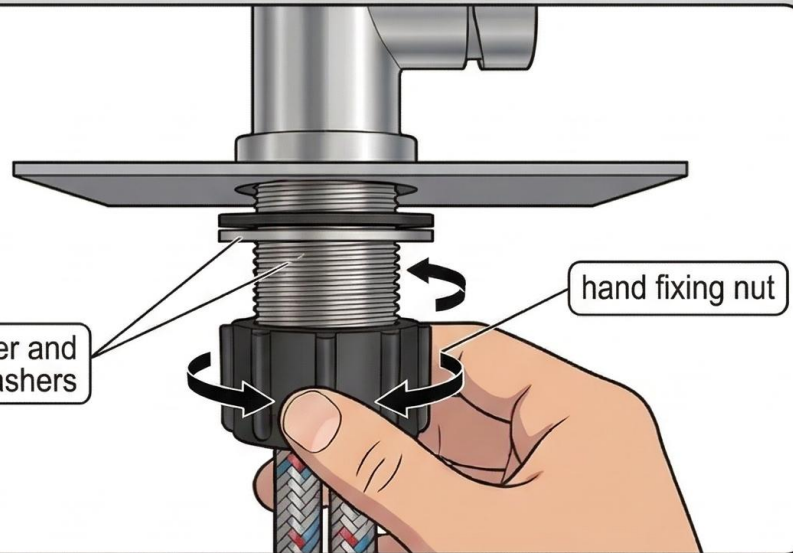
Step 3. Feed hoses up through the hole in the sink / hob...



...and install into the mixer body.

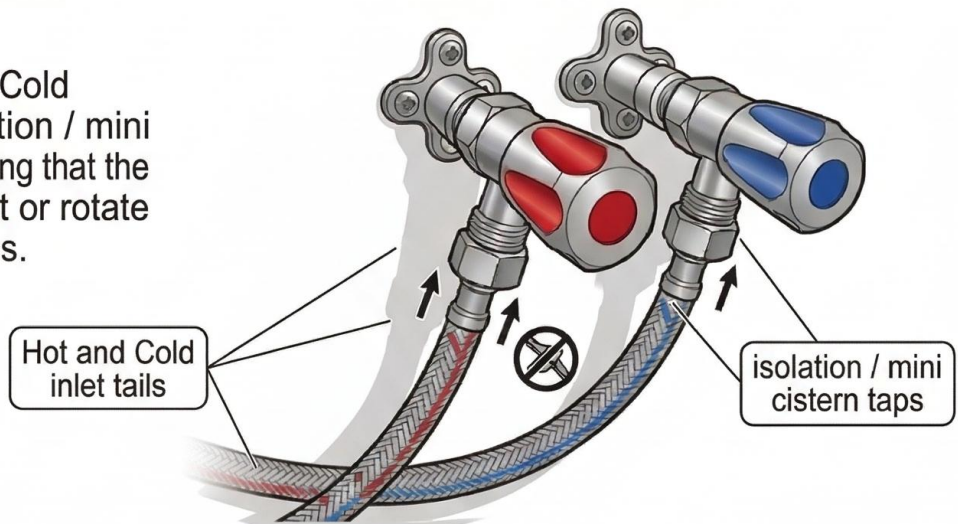
Step 4.

Insert mixer into sink / hob and slide flat rubber and metal washers up, onto mounting thread and screw on hand fixing nut and tighten.



Step 5.

Connect Hot and Cold inlet tails to isolation / mini cistern taps, ensuring that the hoses do not twist or rotate during this process.



Step 6.

Connect Filter Hose to water filter (separate filter hose adapter can be fitted if required).

