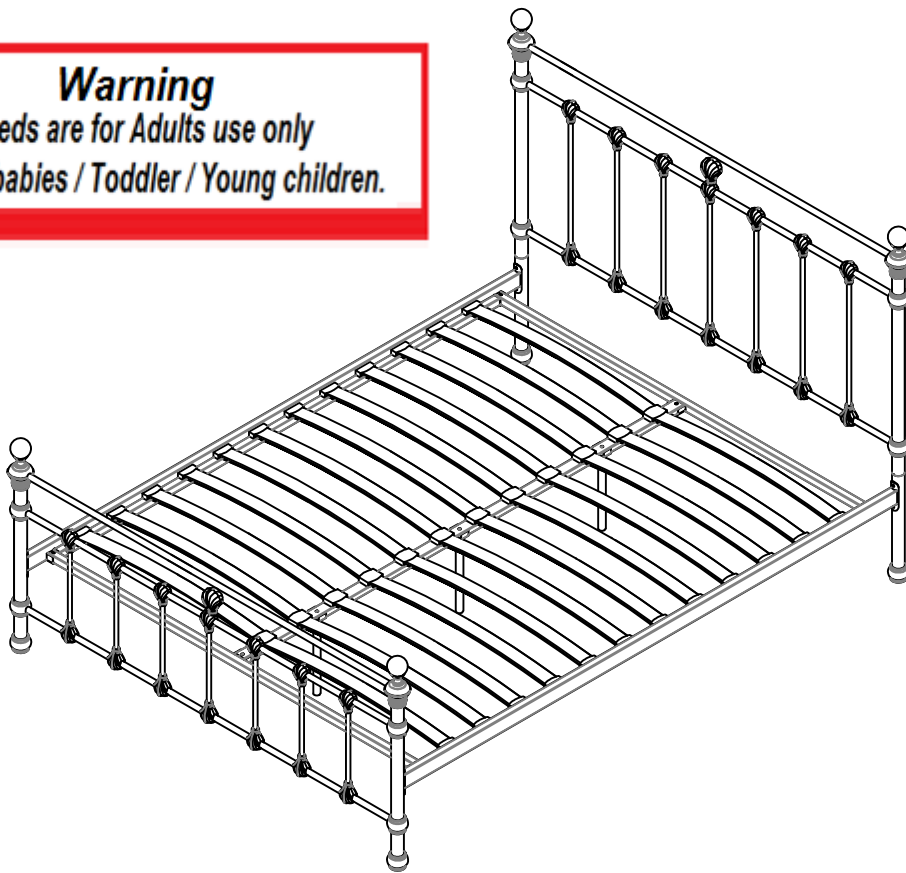


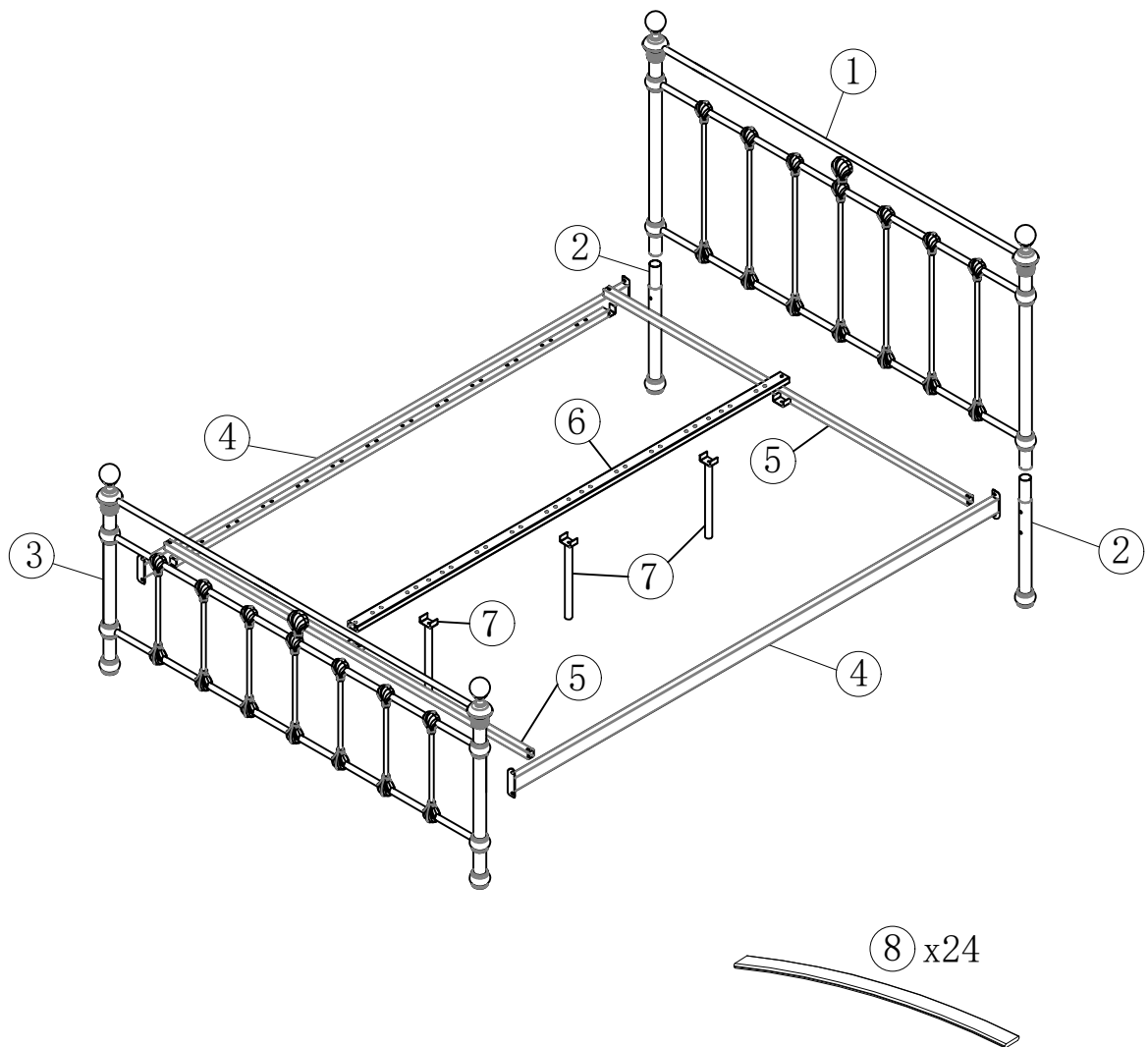
VALERIE DOUBLE & QUEEN METAL BED ASSEMBLY INSTRUCTION











Warning

*These beds are for Adults use only
Not for babies / Toddler / Young children.*

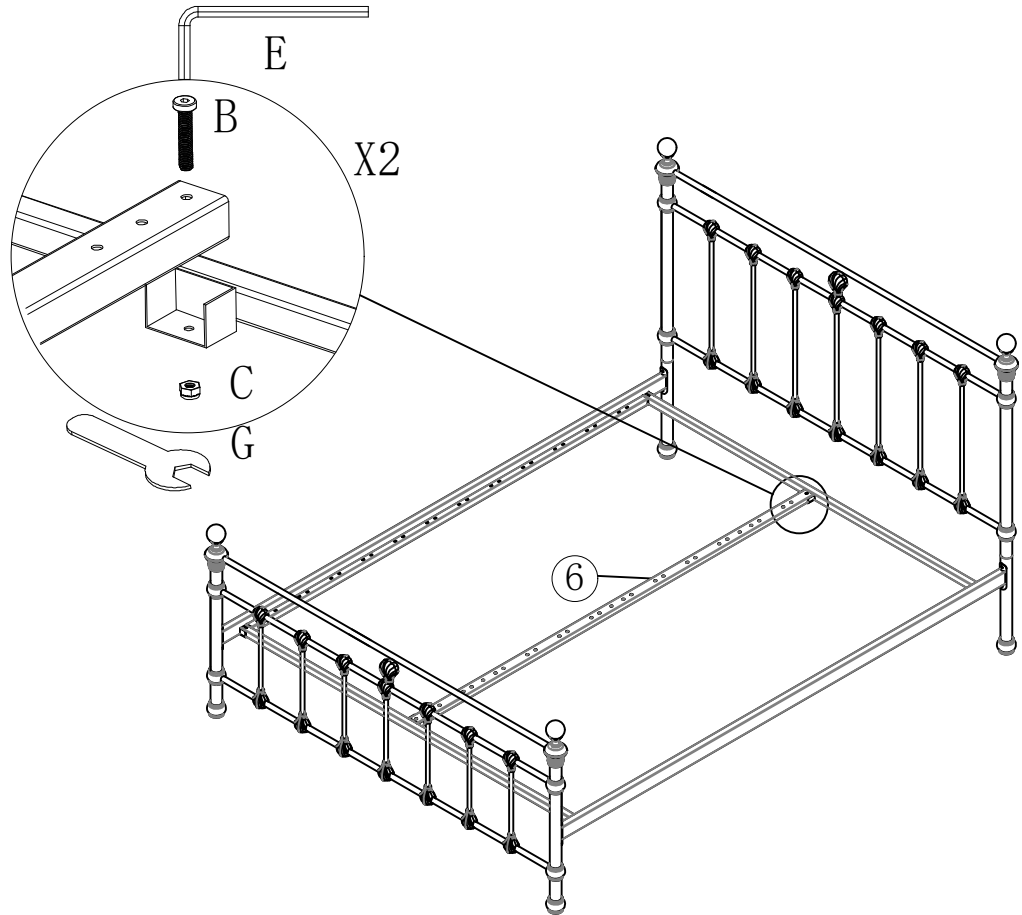


Remarks: Two adults are required to assemble this bed.

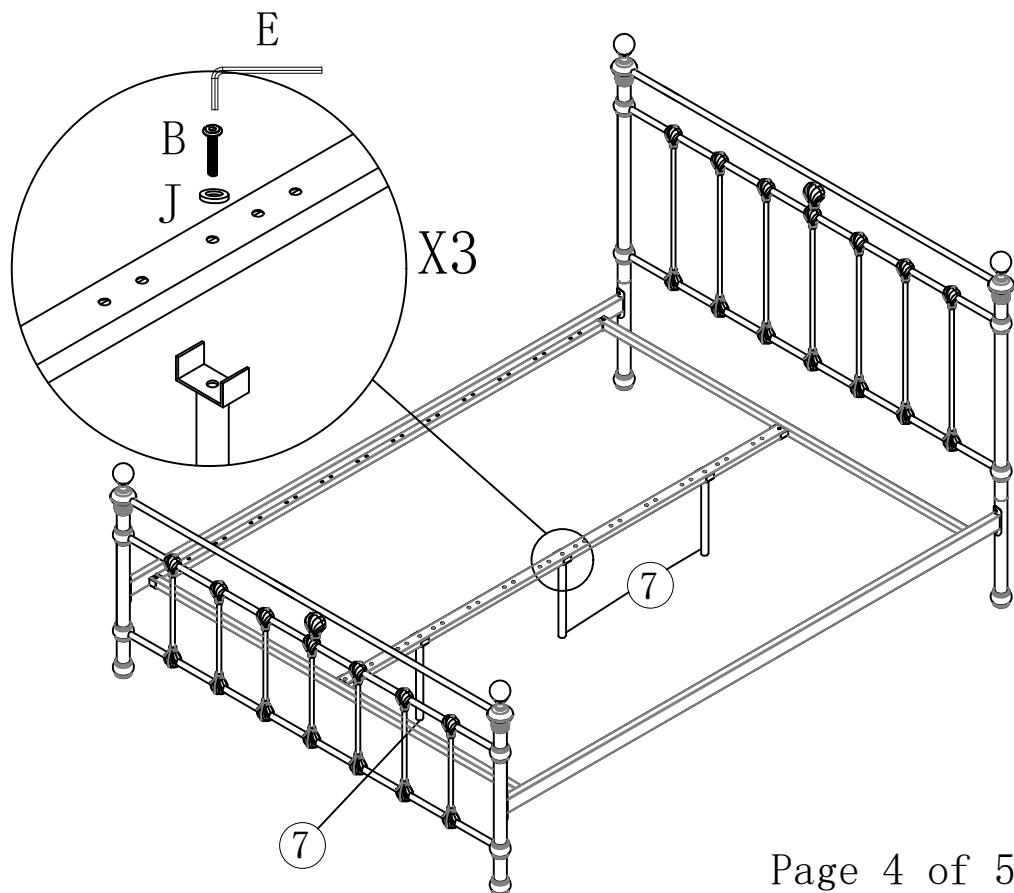


<p>A</p>  <p>M8*20mm 8pcs</p>	<p>B</p>  <p>M6*35mm 9pcs</p>	<p>C</p>  <p>M6mm 6pcs</p>	<p>D</p>  <p>M6*16mm 4pcs</p>	<p>E</p>  <p>M4 1pc</p>	<p>F</p>  <p>M5 1pc</p>	<p>G</p>  <p>M6 1pc</p>	<p>H</p>  <p>24pcs</p>	<p>I</p>  <p>12pcs</p>	<p>J</p>  <p>∅16*6.5 3PCS</p>
---	---	--	---	---	---	--	--	--	---

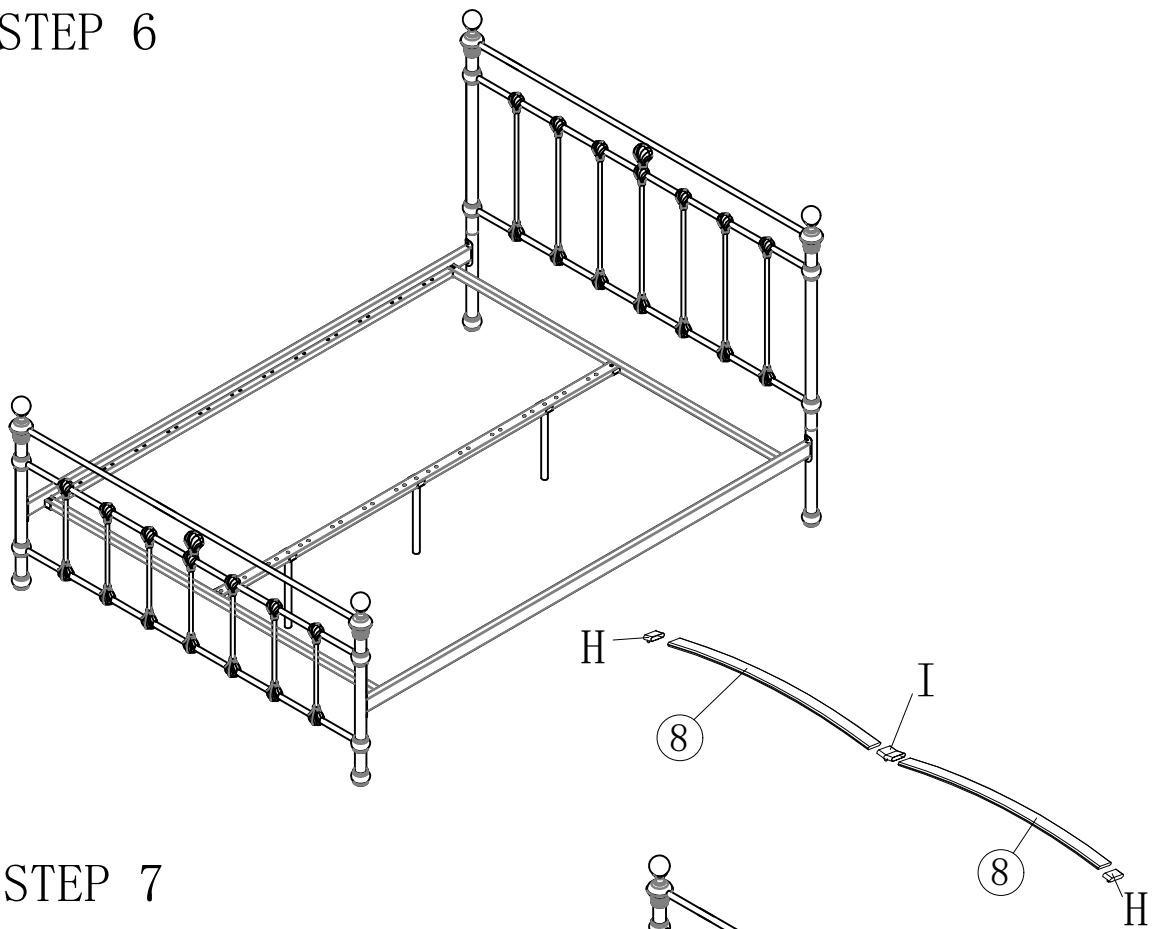
STEP 4



STEP 5



STEP 6



STEP 7

