

ASSEMBLY INSTRUCTION

DESCRIPTION

9696WHT Astoria Sideboard

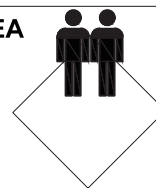
2.5 hr

APPROXIMATE ASSEMBLY TIME

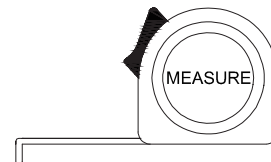
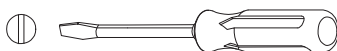
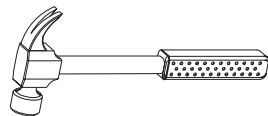
2 PERSON ASSEMBLY



FLOOR AREA
1.6MX1M

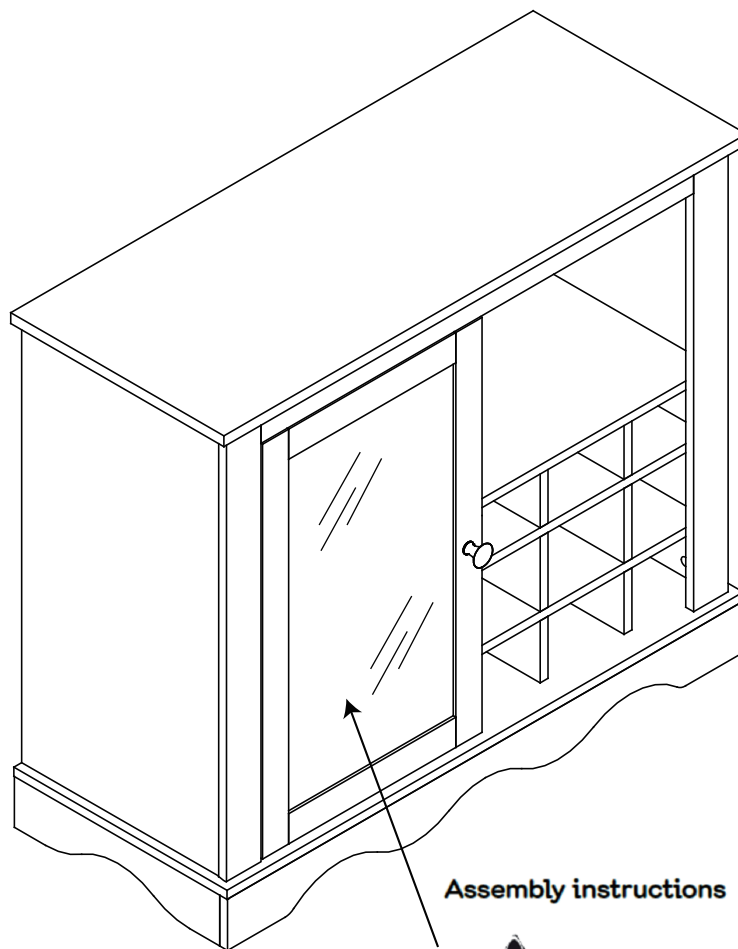


REQUIRED ASSEMBLY SPACE



REQUIRED ASSEMBLY TOOLS

ASSEMBLED DIMENSIONS



Assembly instructions



Glass should always be handled with care.

Scratches, chips, sudden changes in temperature and hairline fractures may cause glass to break. This glass is designed to break into small, relatively harmless pieces and not sharp fragments.

Avoid placing hot or cold items directly on the table unless using a thick insulation material such as placemats or coasters.

Avoid dropping objects onto the glass. Do not allow hard or pointed objects to come into contact with the glass. Never use the top area as a chopping surface. Do not sit or stand on the glass surface.

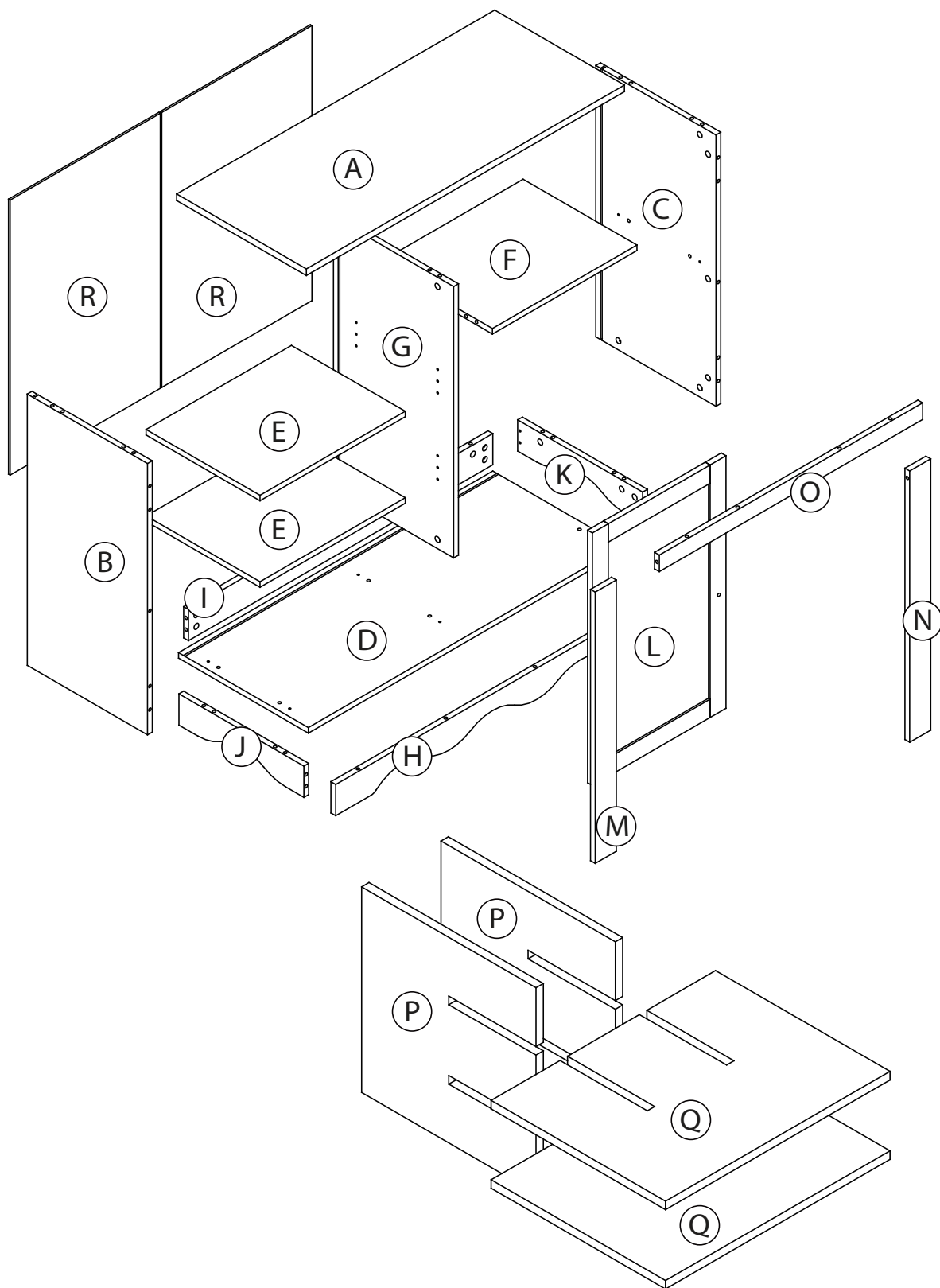
ASSEMBLY INSTRUCTION

DESCRIPTION

9696WHT

Astoria Sideboard

PARTS LIST

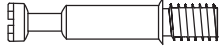


ASSEMBLY INSTRUCTION

DESCRIPTION 9696WHT Astoria Sideboard

HARDWARE LIST

x44



AA

PH-KDBZNC001

x44



BB

PH-KDCZNC001

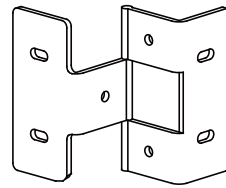
x28



CC

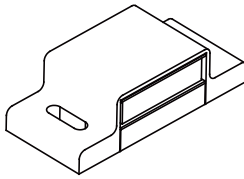
PH-DWLNTL001

x2



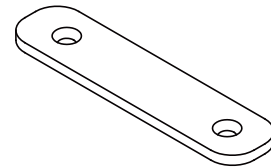
DD

x1



EE

x1



FF

x30



GG

Ø3.5x16mm

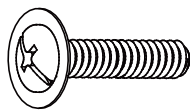
x2



HH

Ø3x12mm

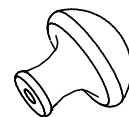
x1



II

Ø4x22mm

x1



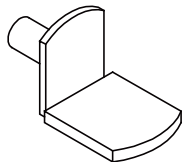
JJ

ASSEMBLY INSTRUCTION

DESCRIPTION 9696WHT Astoria Sideboard

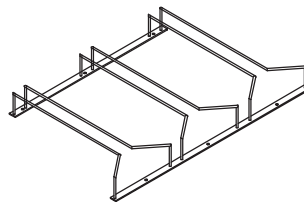
HARDWARE LIST

x8



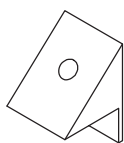
KK

x1



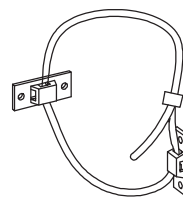
LL

x12



MM

x1



NN

Top Tips before you start!

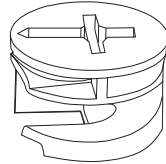
- 1.** Please check that all parts are present before you start the assembly of your furniture, as once assembled, the furniture is exempt from our home approval policy.
- 2.** For ease and speed of assembly, we recommend that before you commence each step of the assembly, that you identify all the parts required for that step.
- 3.** For larger items, please ensure that you have sufficient space and people (as indicated on page 1) to assemble your product safely.
- 4.** We recommend that, where possible, all items are assembled near to the area in which they will be placed in use, to avoid moving the product unnecessarily once assembled.
- 5.** For the protection of your furniture, particularly items of high gloss finish, we recommend that the product is placed on a protected surface during assembly to prevent any damage.
- 6.** During assembly please take care not to over-tighten any fittings, as this may damage the product.

Care and Maintenance of your Furniture

- Please periodically check all fittings and re-tighten as necessary.
- Please do not drag or pull your furniture.
- Wipe occasionally with a soft cloth slightly dampened with water. Then buff with a dry clean soft cloth.
- Never allow any kind of liquid to remain on your furniture. Absorption can cause wood to warp or finishes to de-laminate.
- Please do not sit or stand on this item.

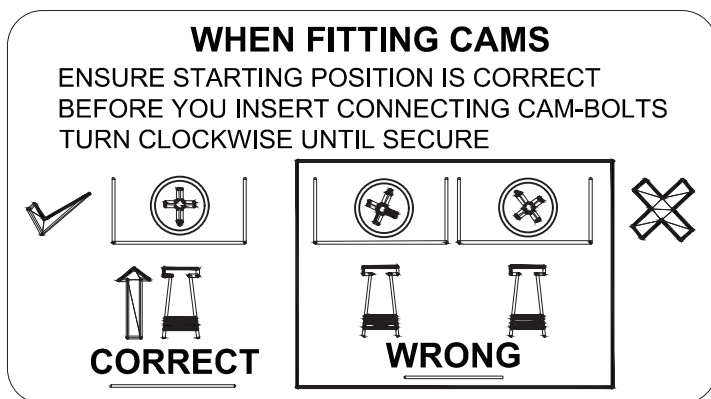
SPECIAL TIPS FOR FITTING CAM-LOCKS AND CAM-BOLTS

CAM-LOCK

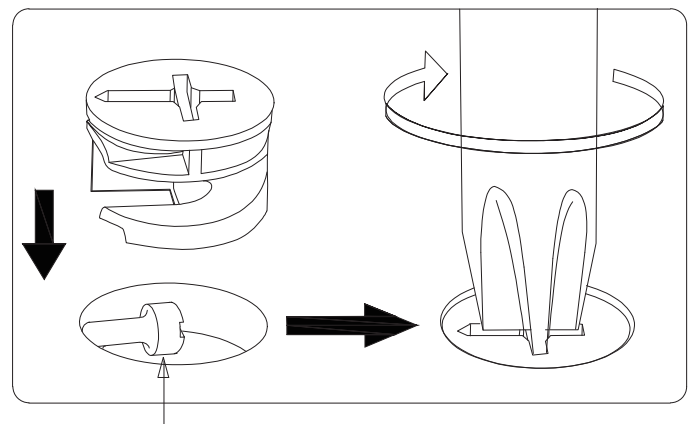


Align with long point of cross

WHEN FITTING CAMS
ENSURE STARTING POSITION IS CORRECT
BEFORE YOU INSERT CONNECTING CAM-BOLTS
TURN CLOCKWISE UNTIL SECURE



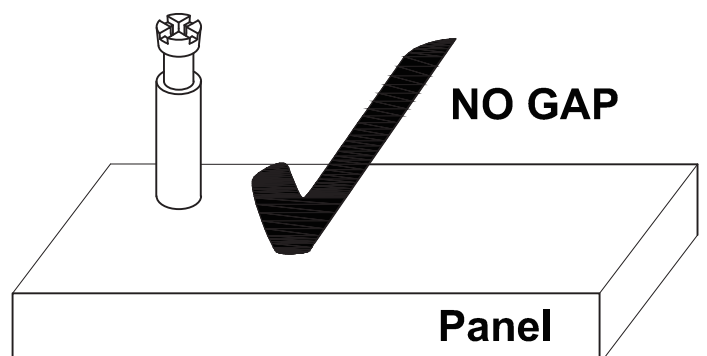
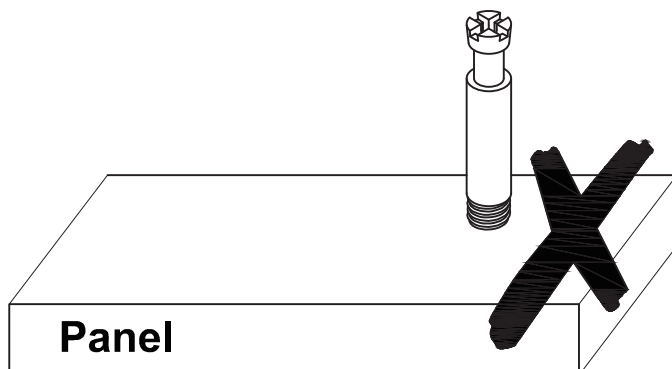
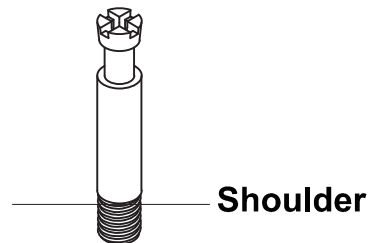
CORRECT **WRONG**



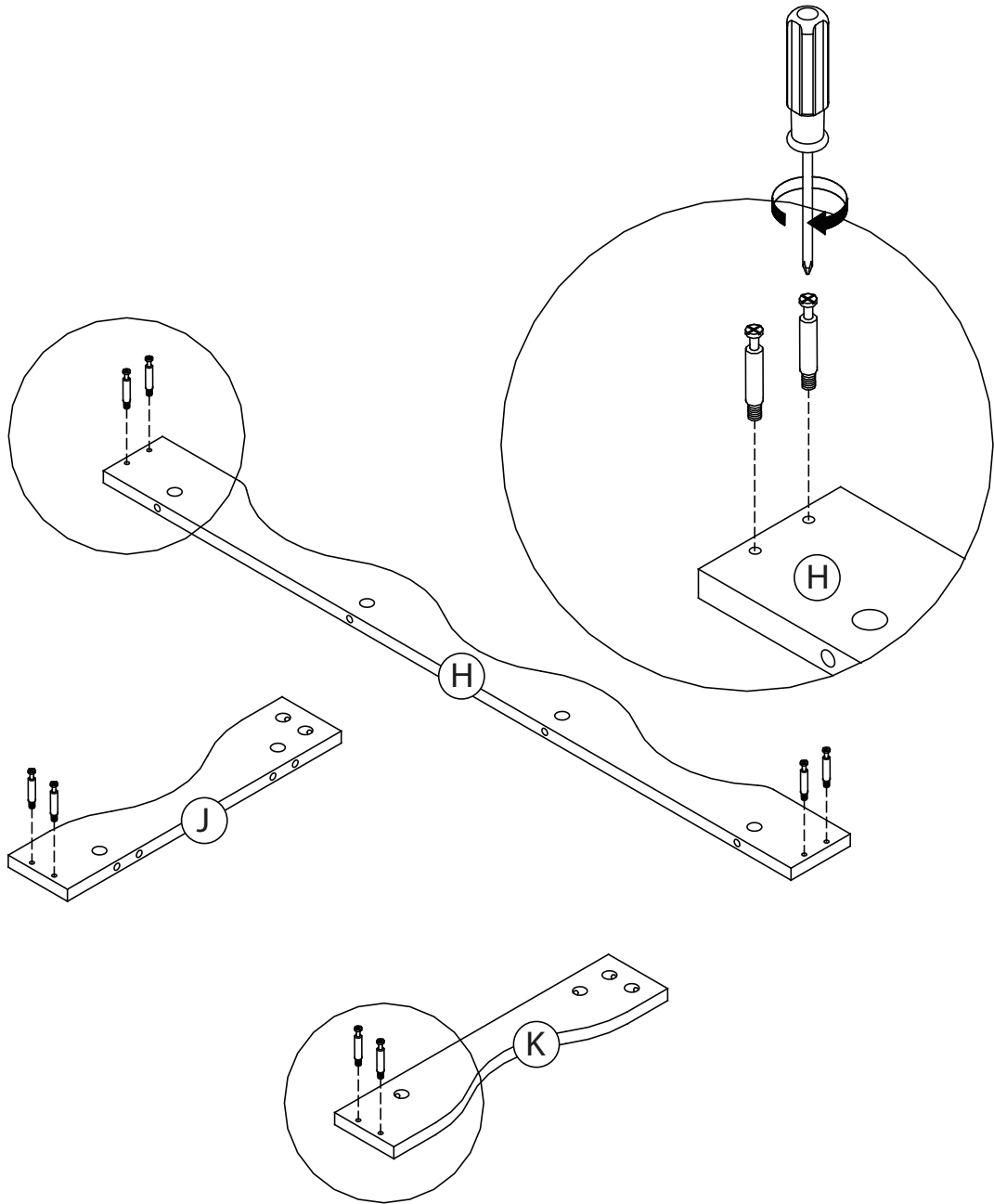
Lock head needs to be in centre

CAM-BOLT

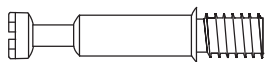
Tighten until shoulder is flush with panel. Do not overtighten or undertighten (see example below)



1

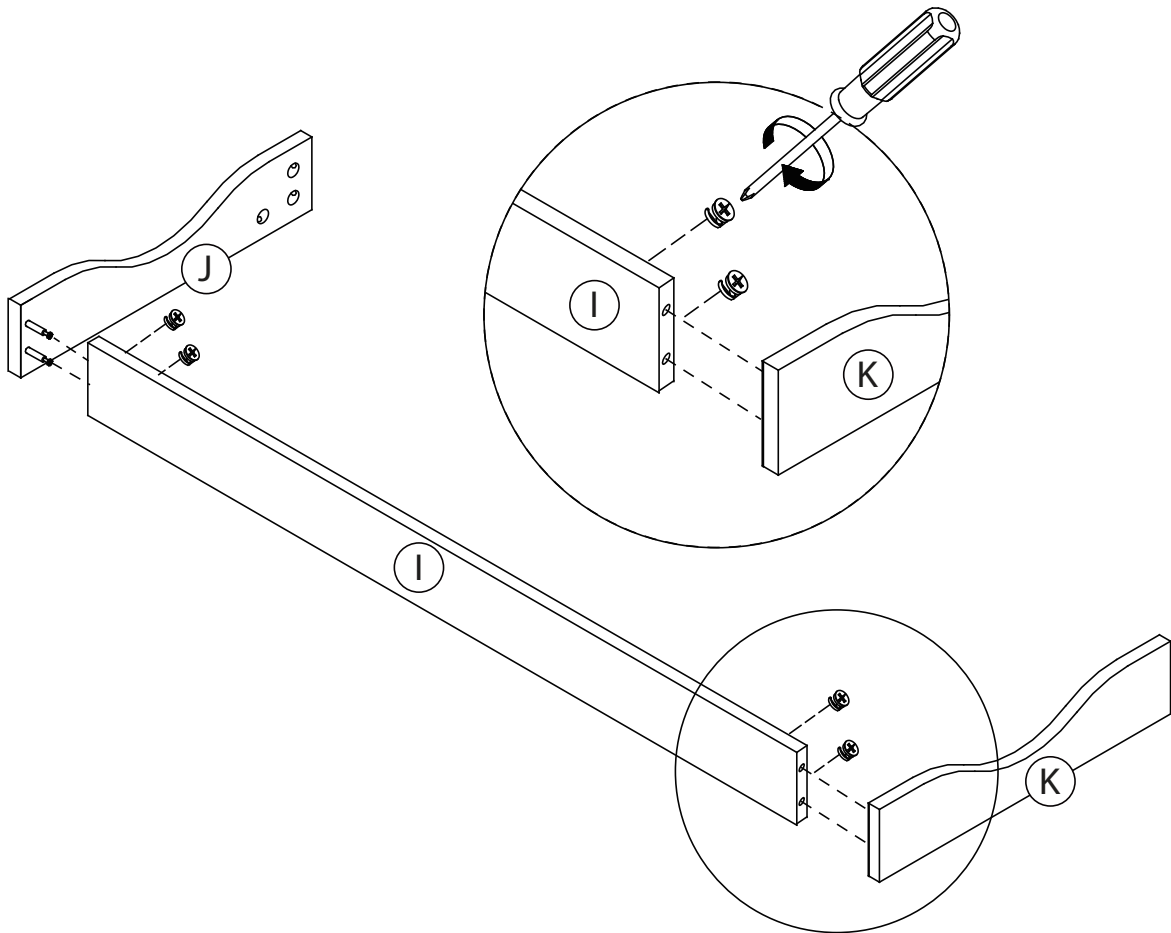


AA

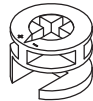


(x8)

2

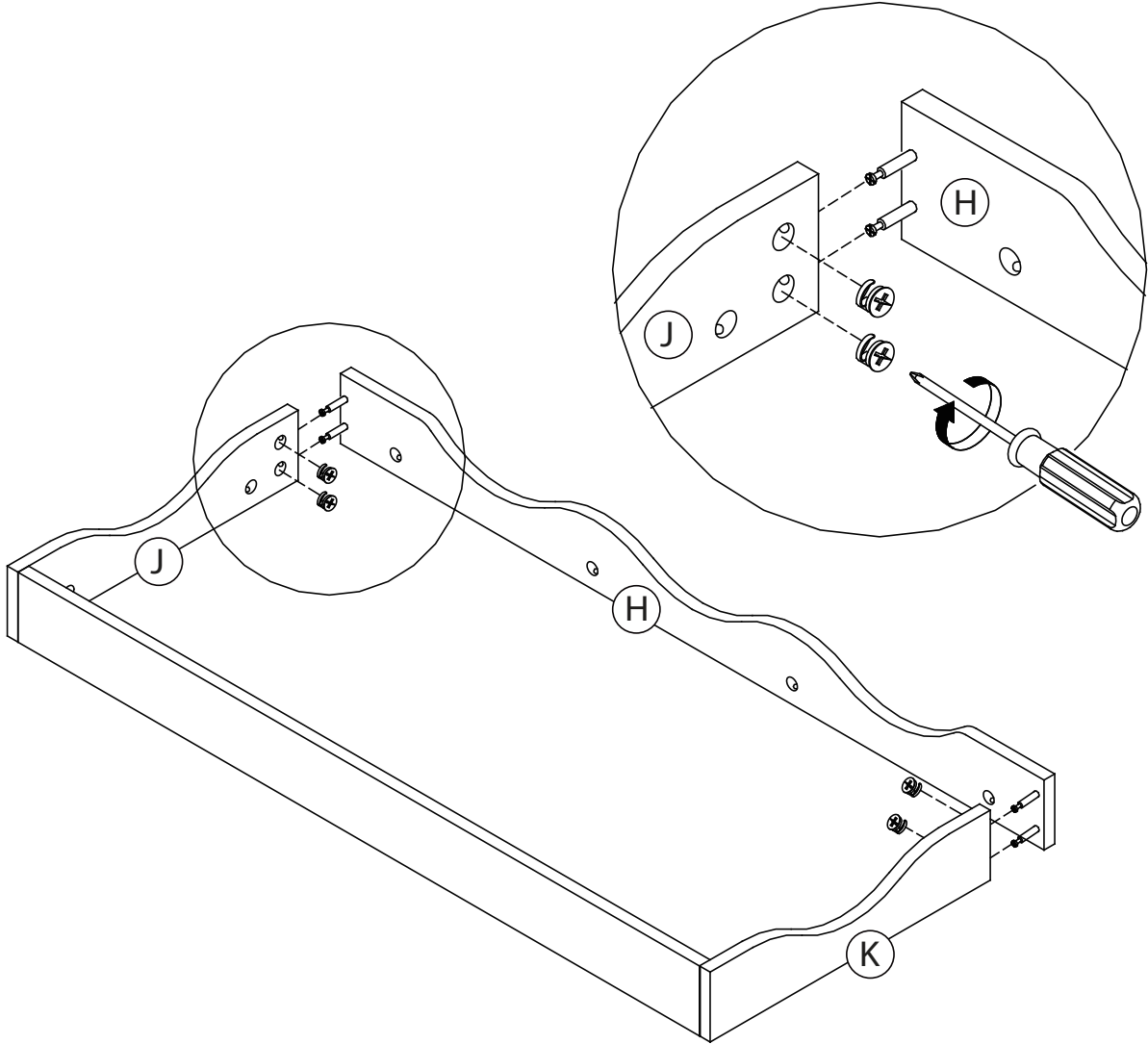


BB

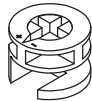


(x4)

3

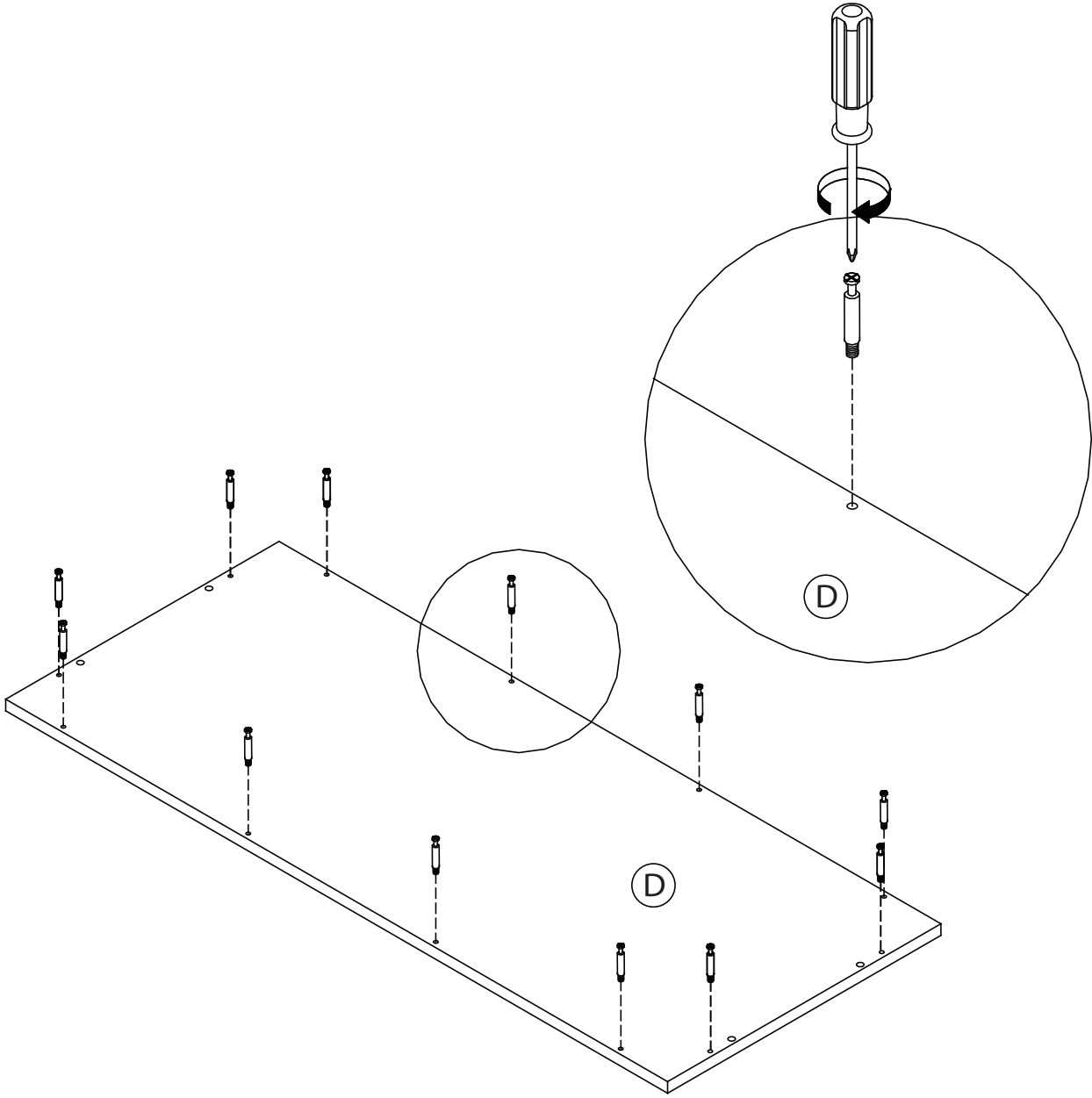


BB



(x4)

4

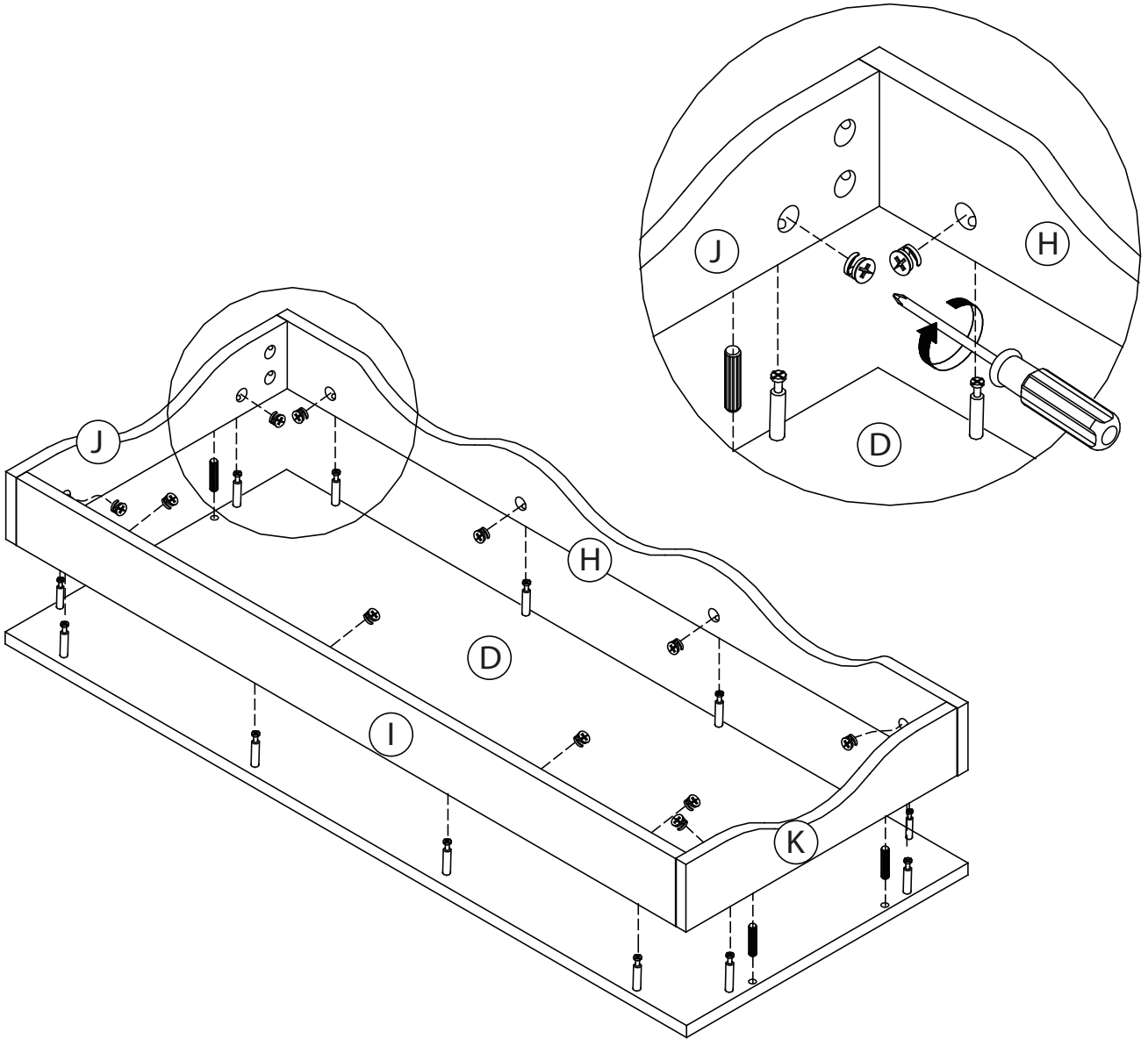


AA

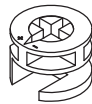


(x12)

5



BB



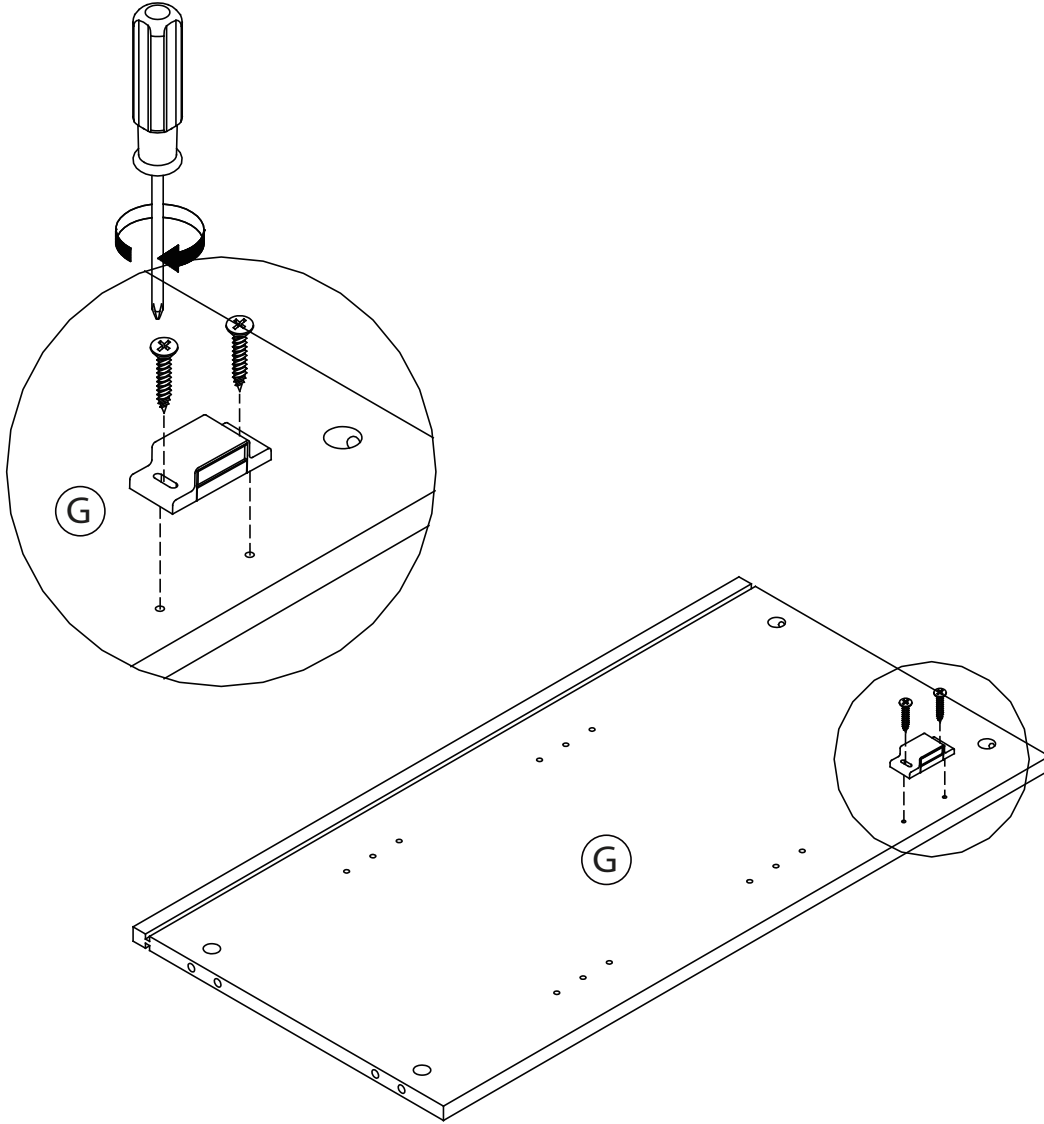
(x12)

CC

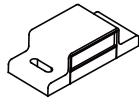


(x4)

6

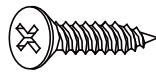


EE



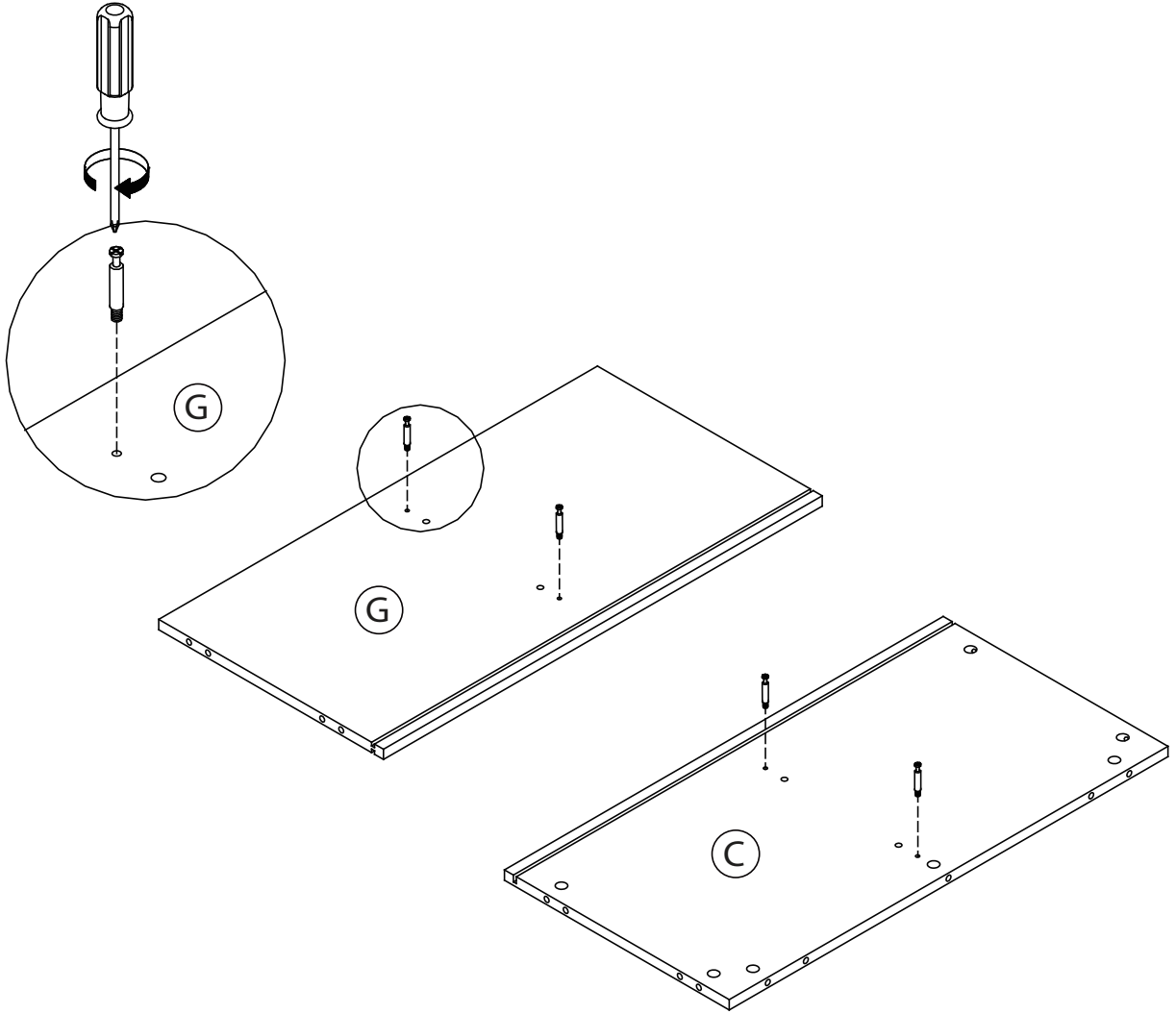
(x1)

GG



(x2)

7

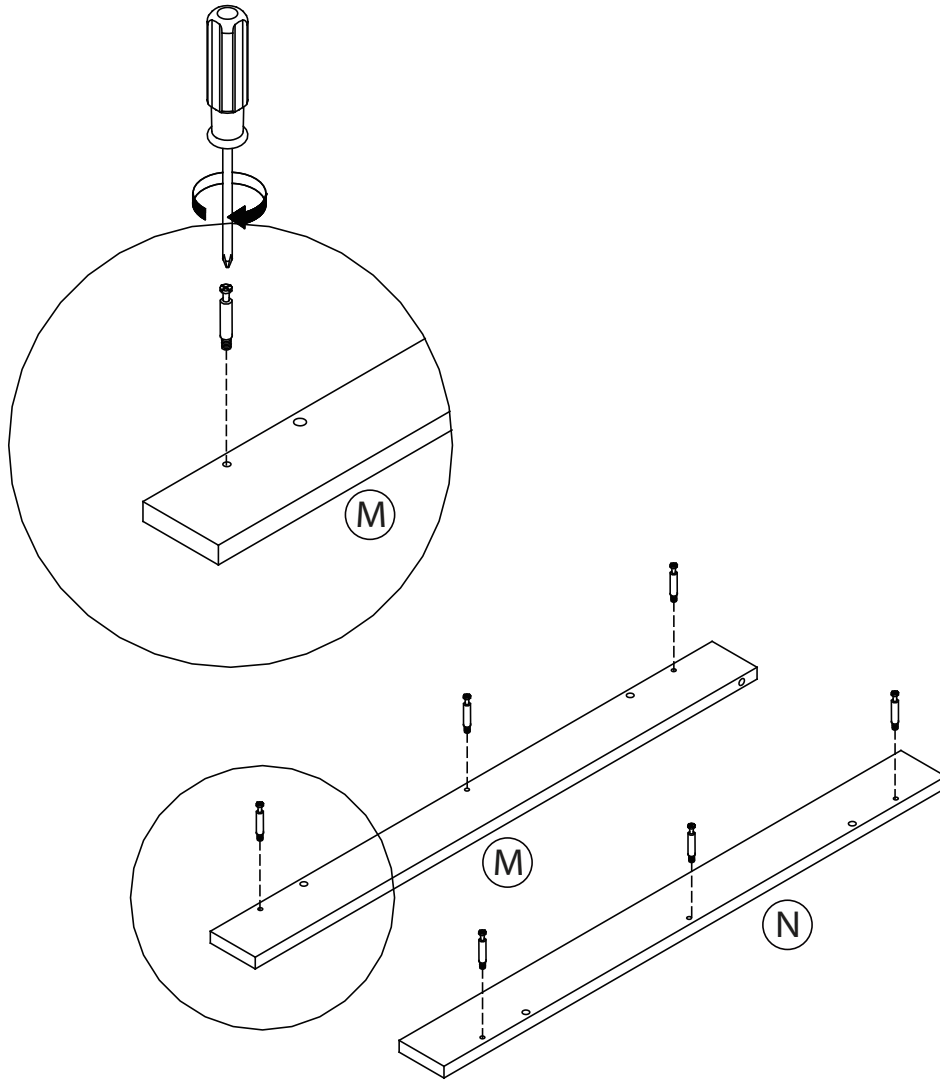


AA

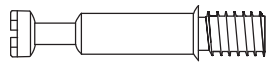


(x4)

8

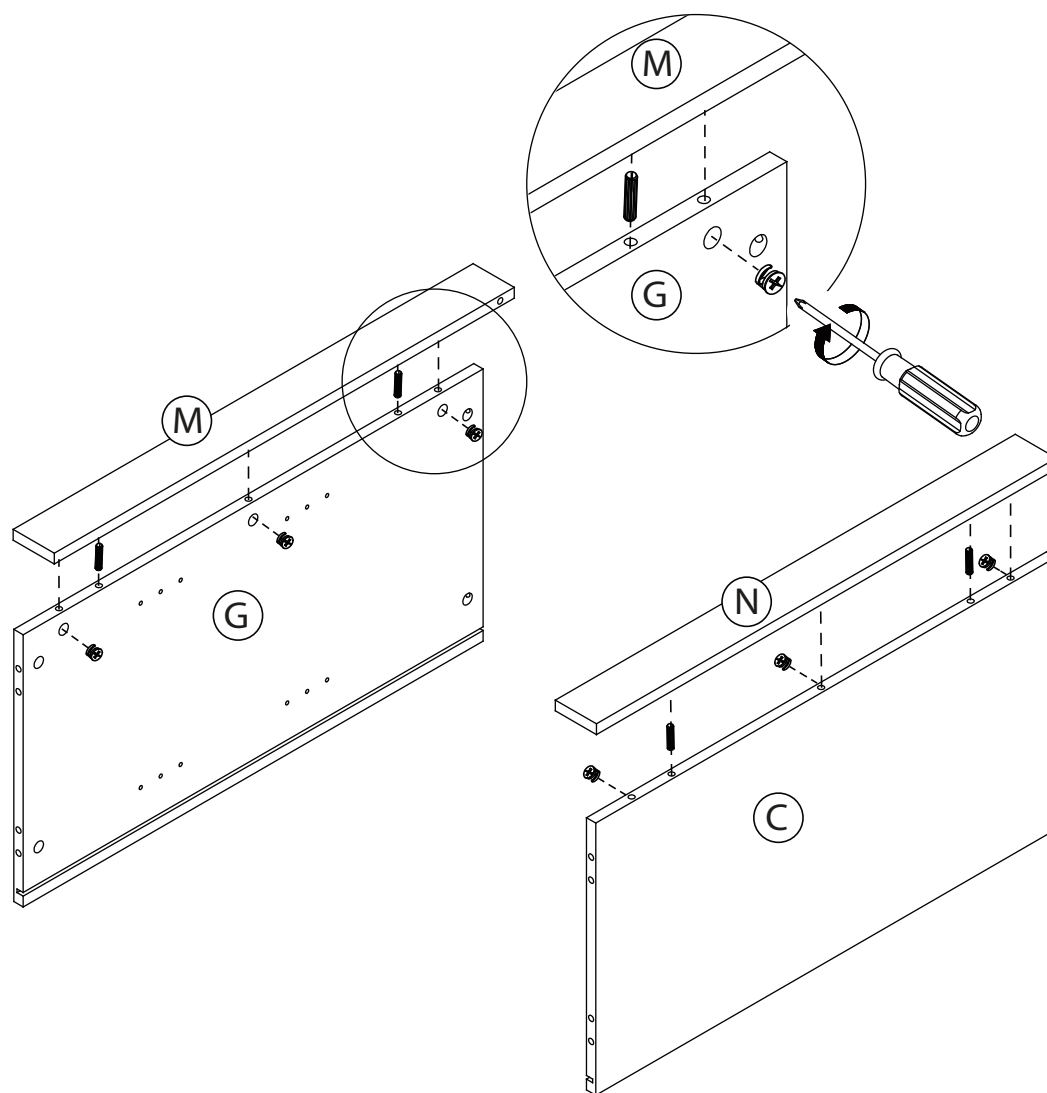


AA



(x6)

9

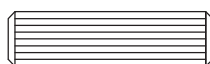


BB



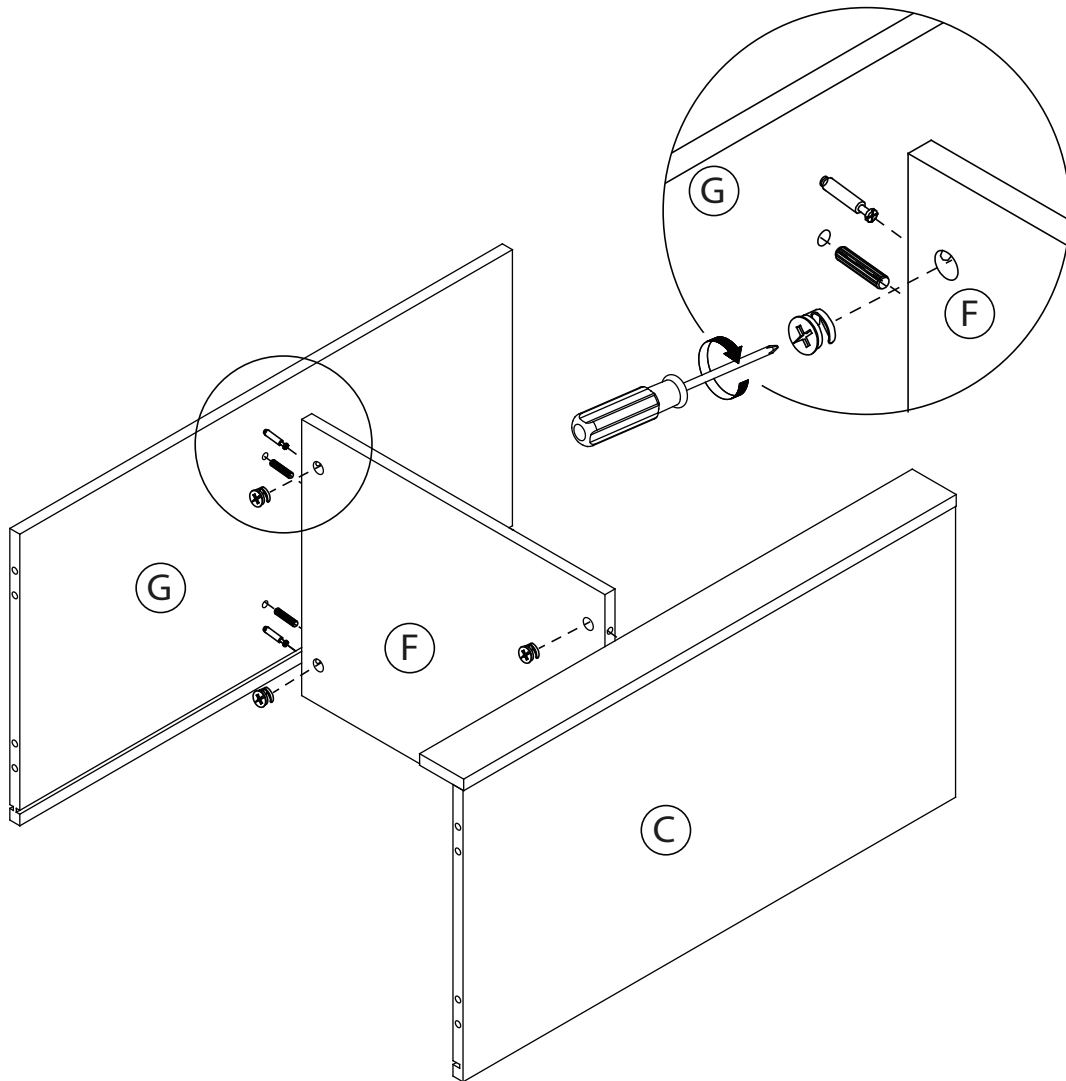
(x6)

CC

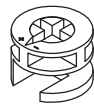


(x4)

10

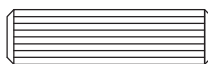


BB

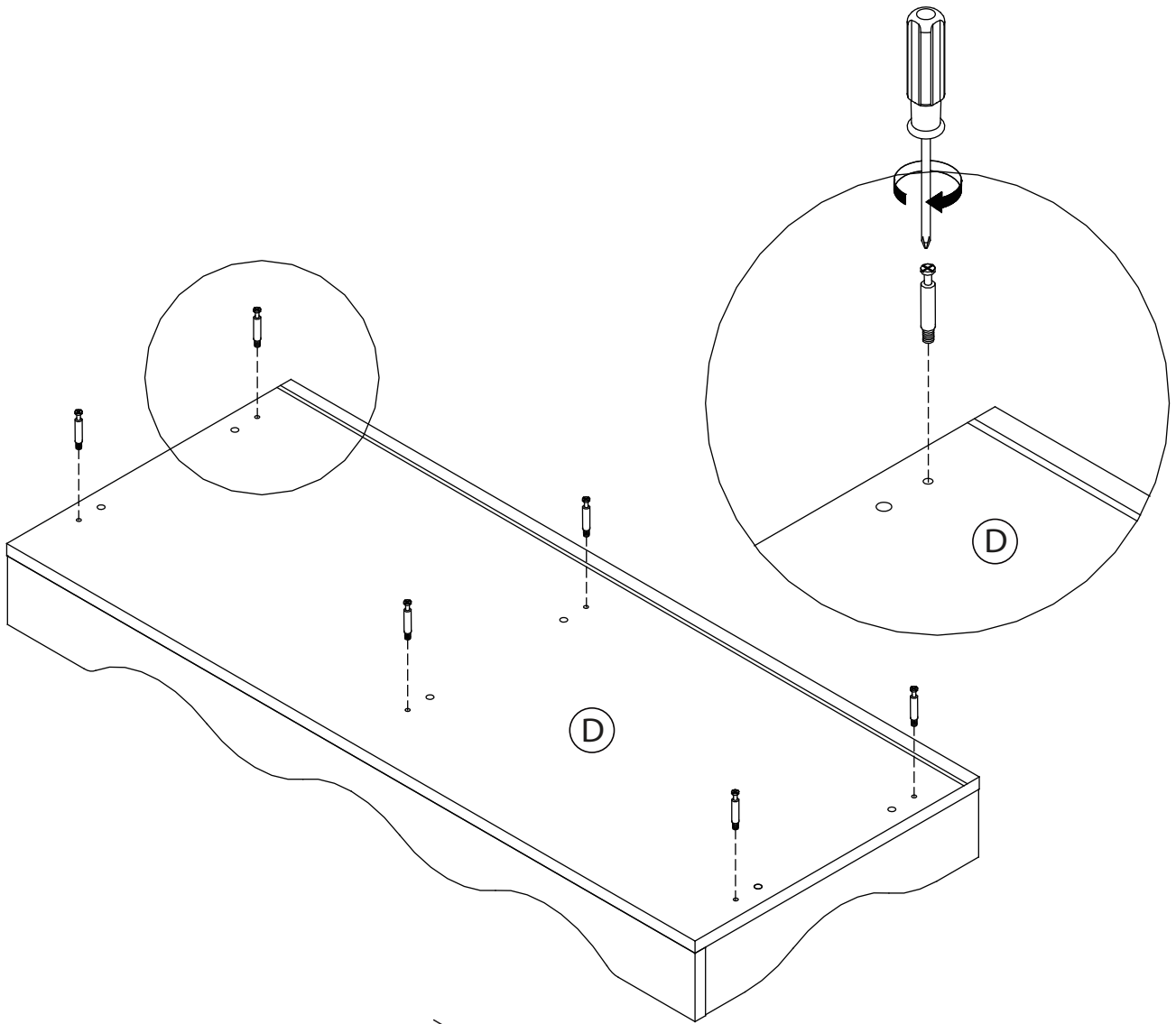


(x4)

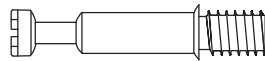
CC



(x4)

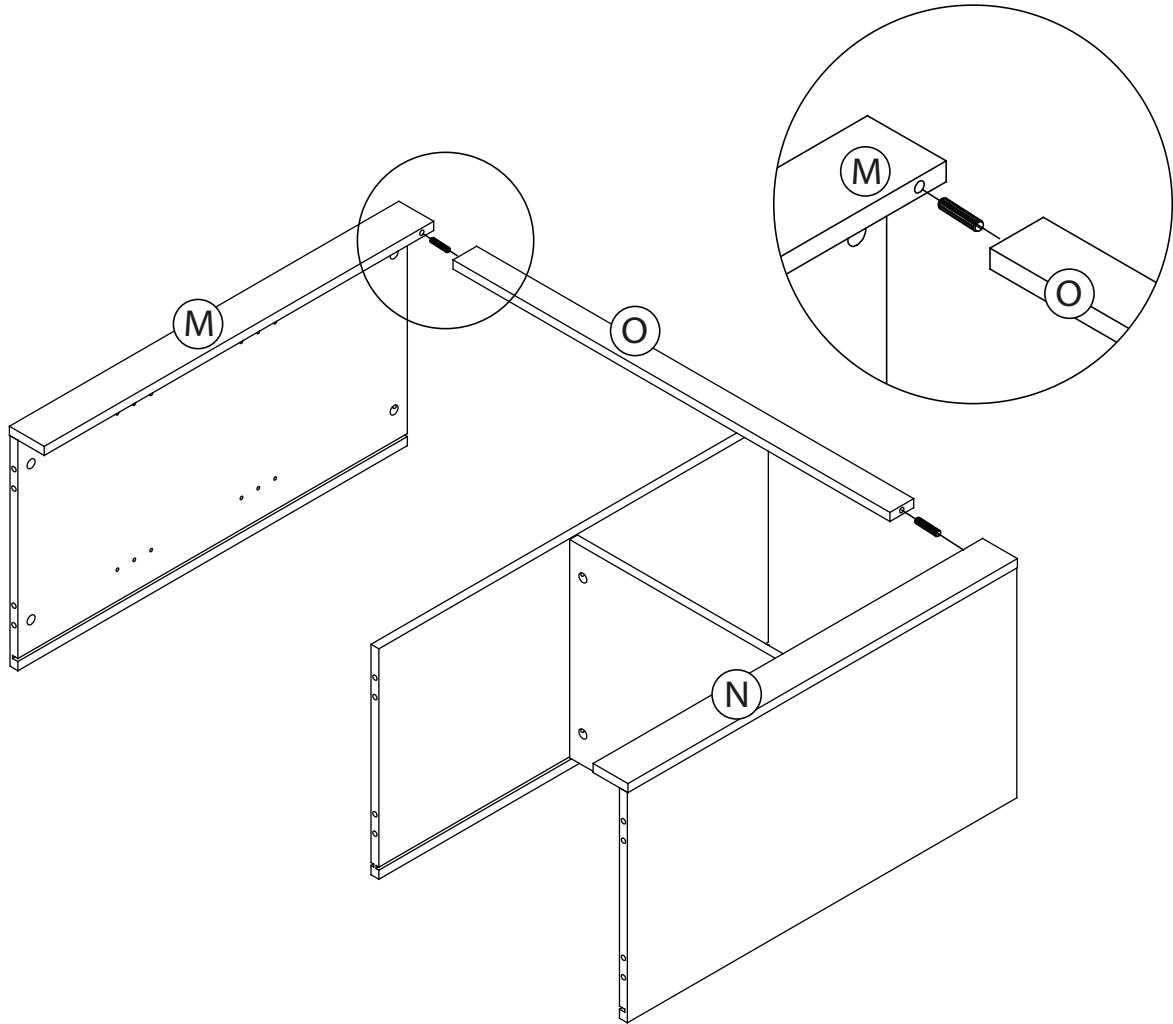


AA



(x6)

12

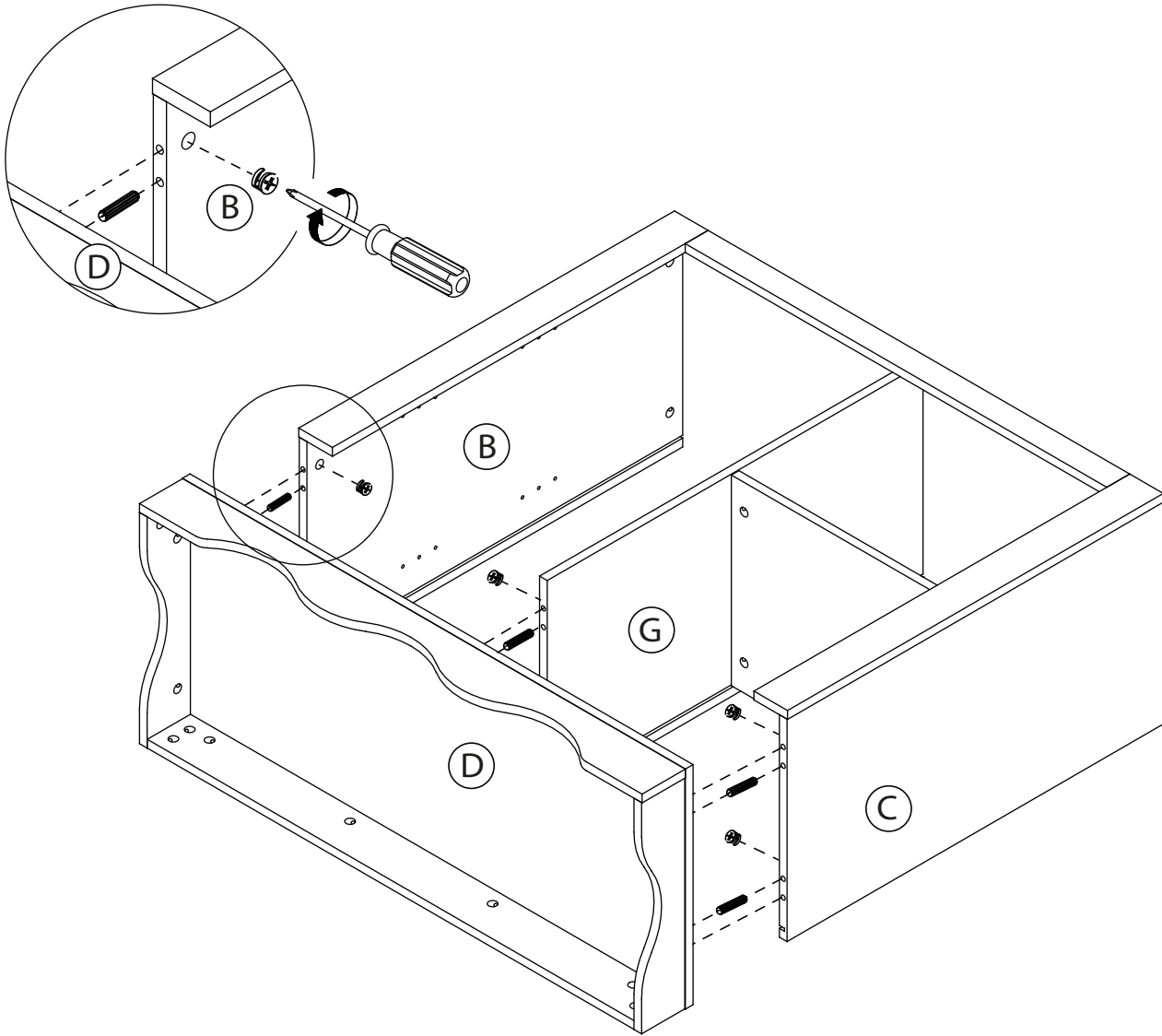


CC



(x2)

13



BB

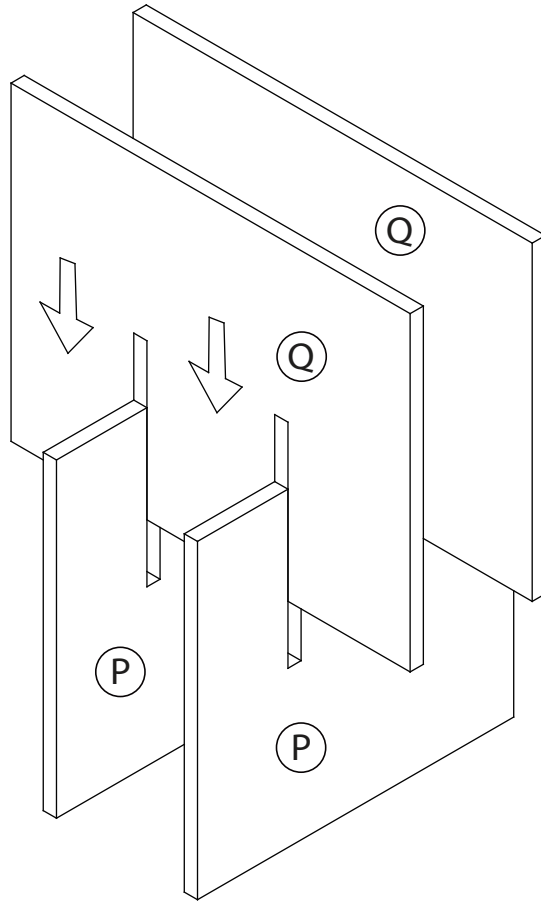


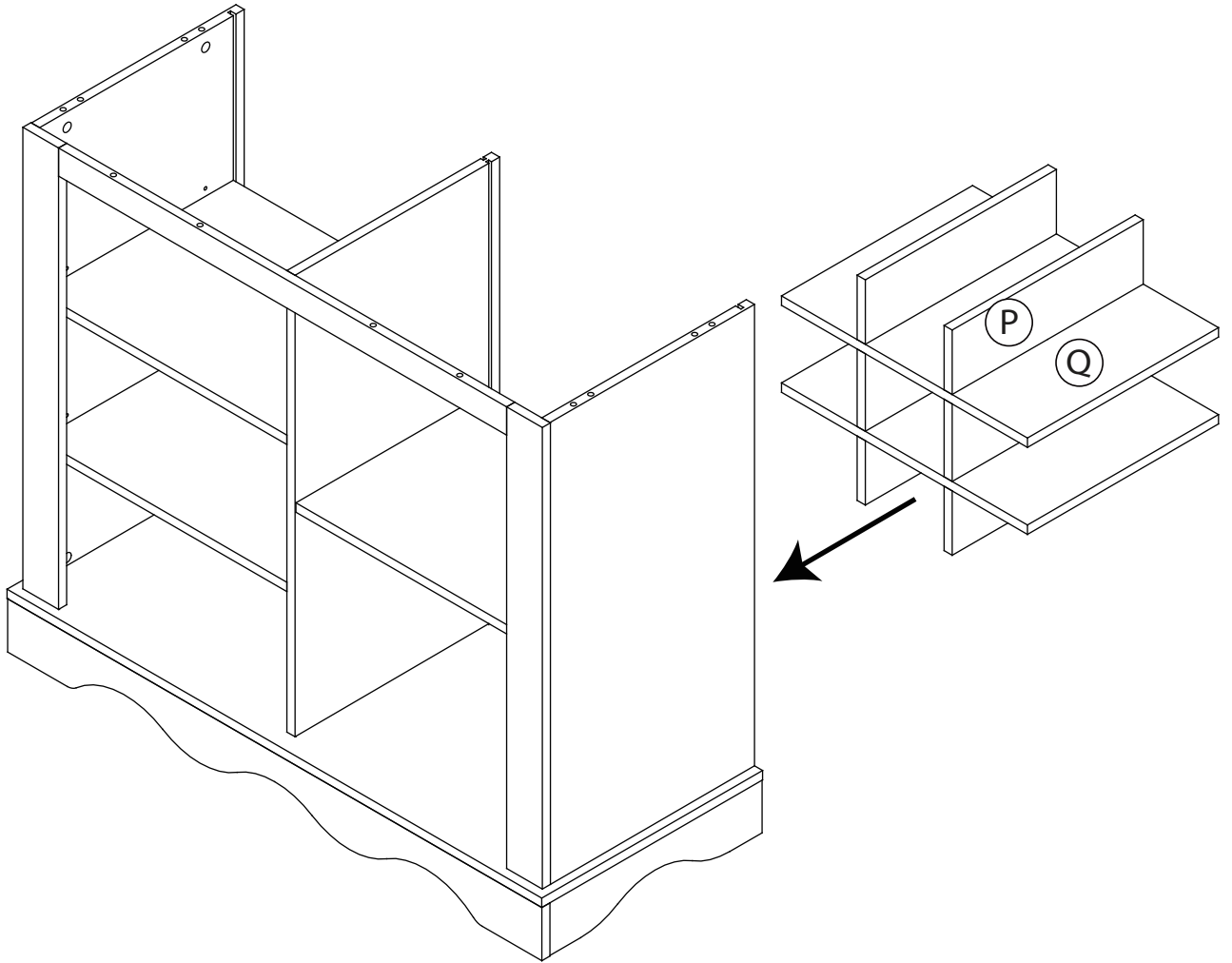
(x6)

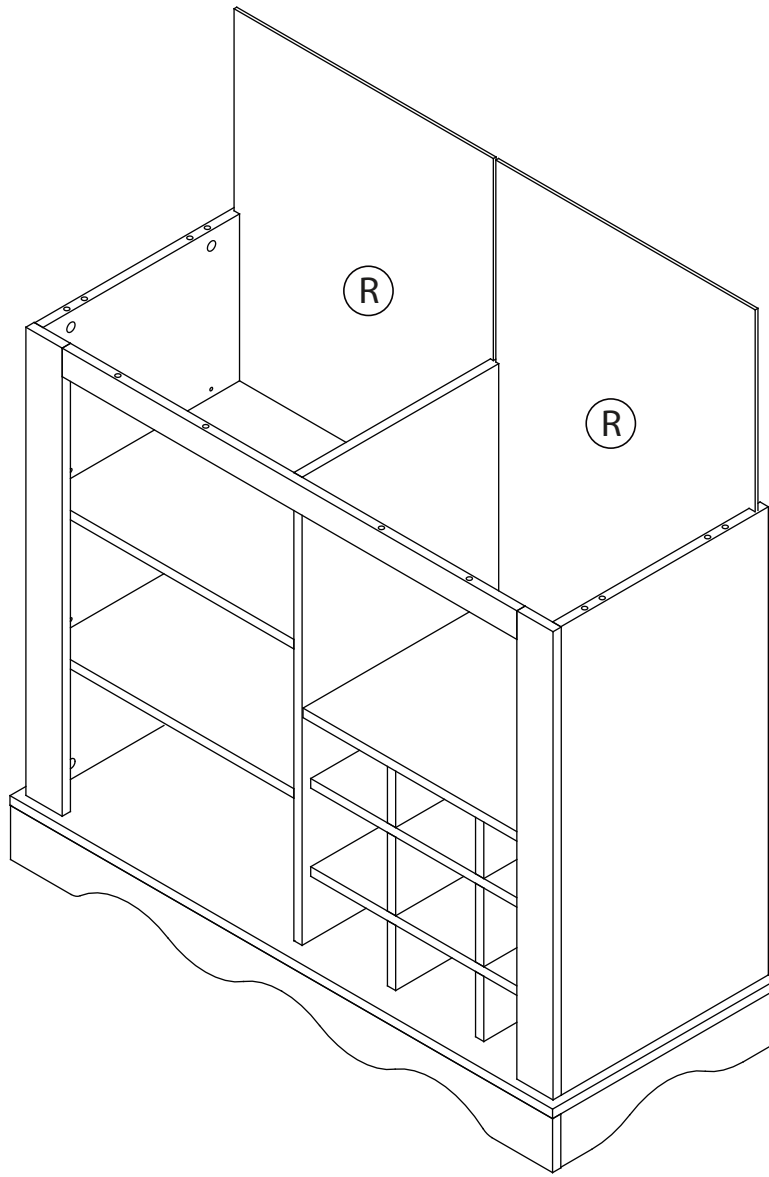
CC

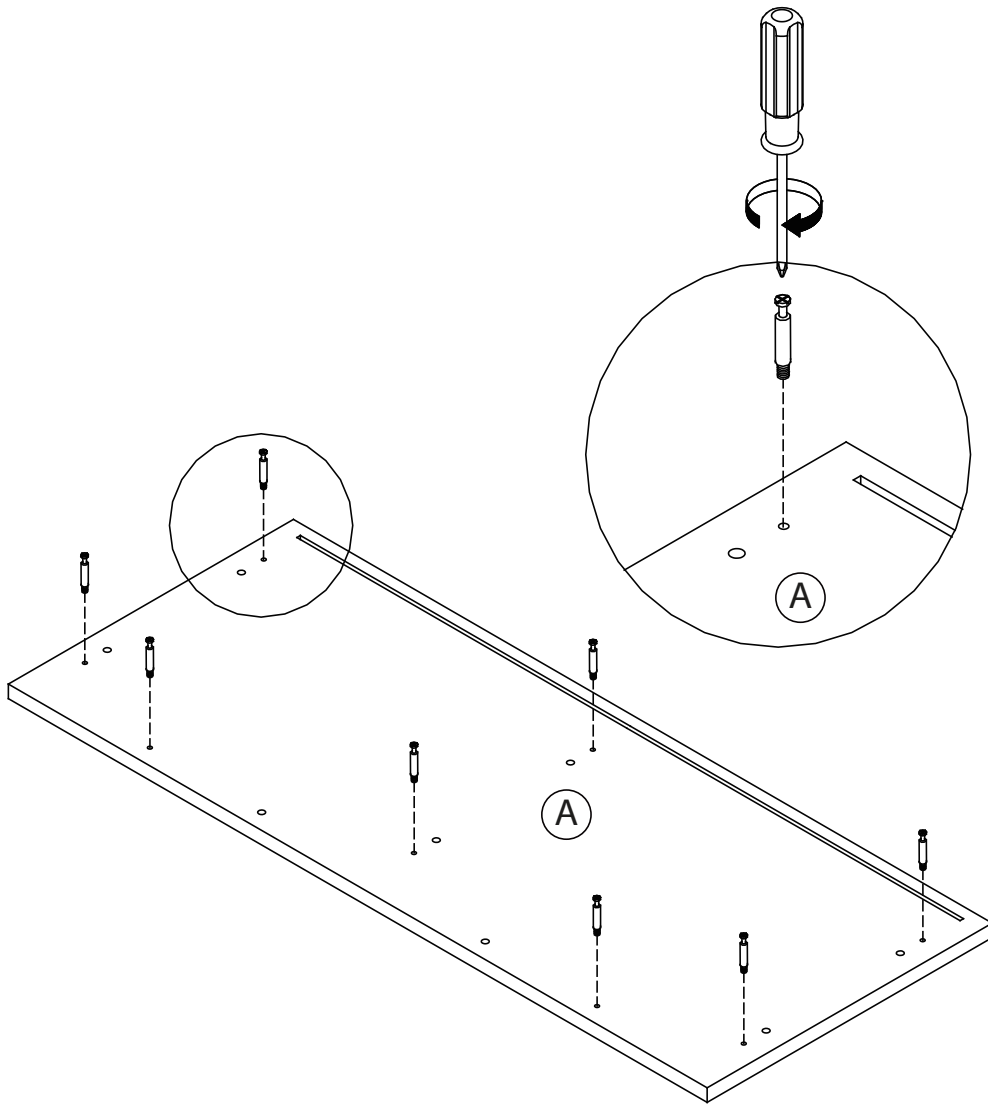


(x6)

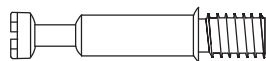






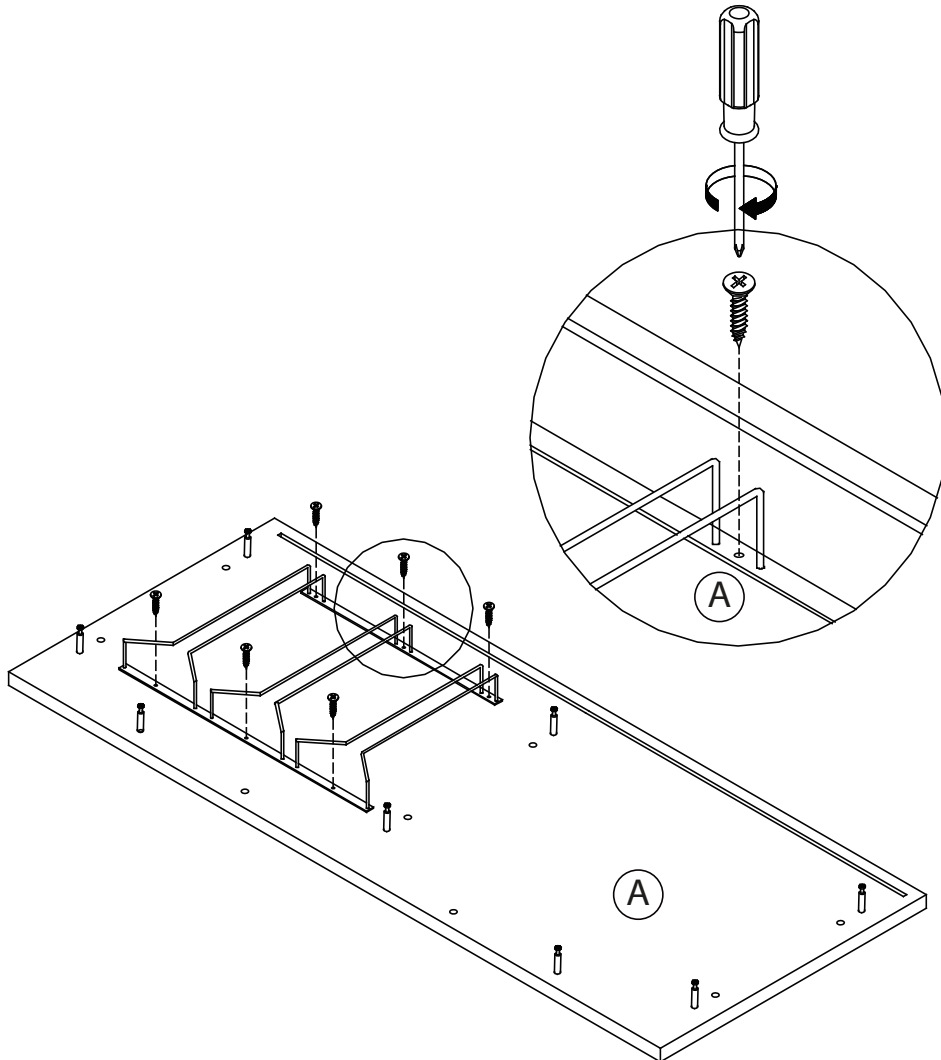


AA



(x8)

18

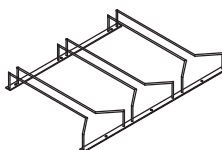


GG

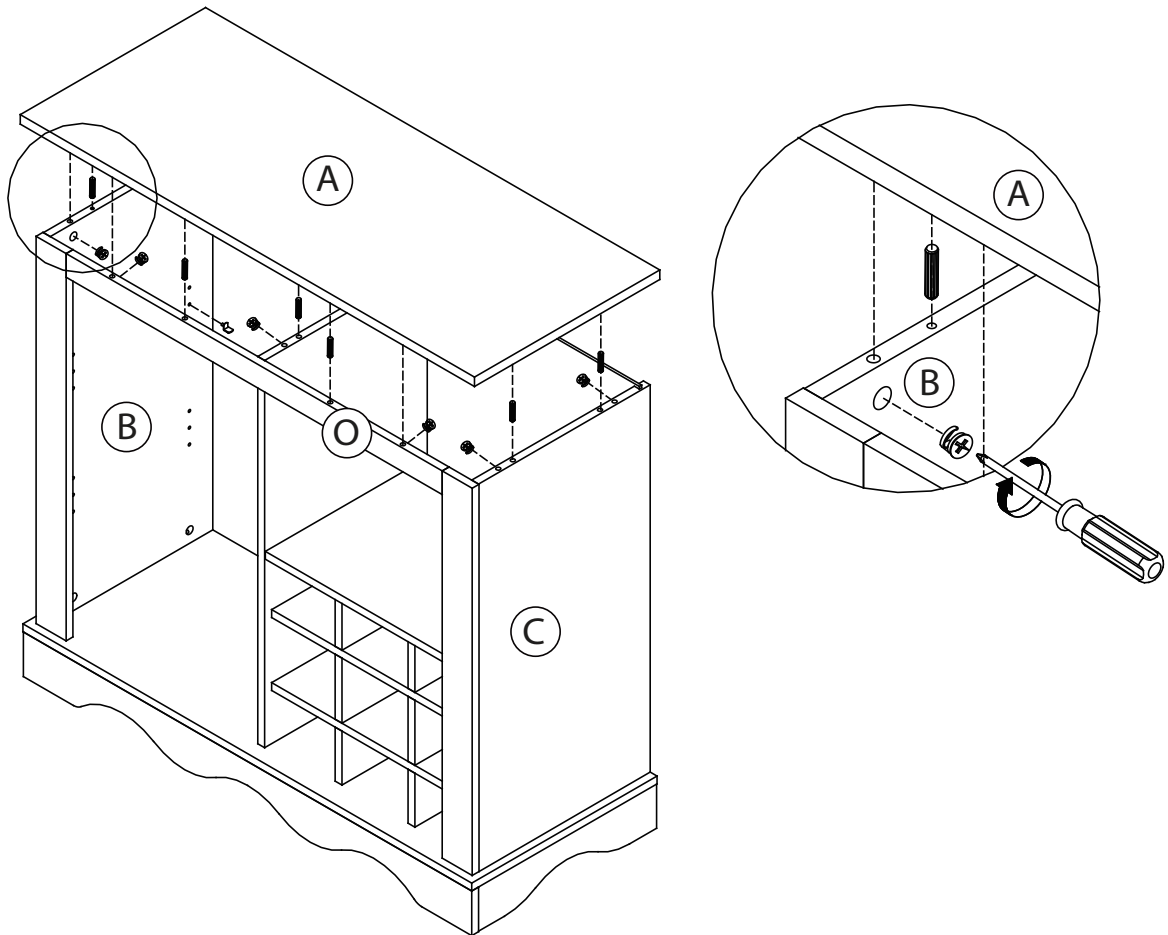


(x6)

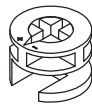
LL



(x1)

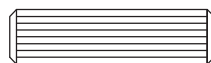


BB

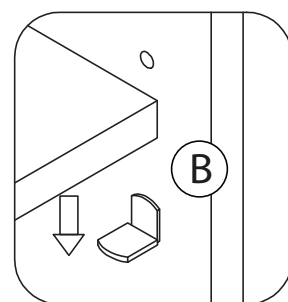
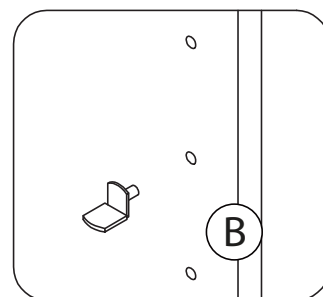
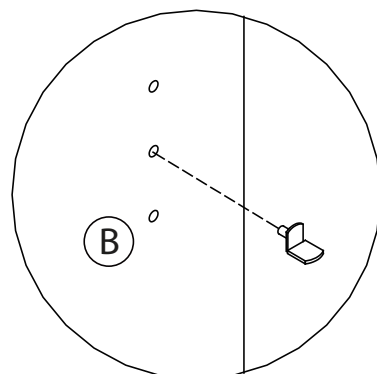
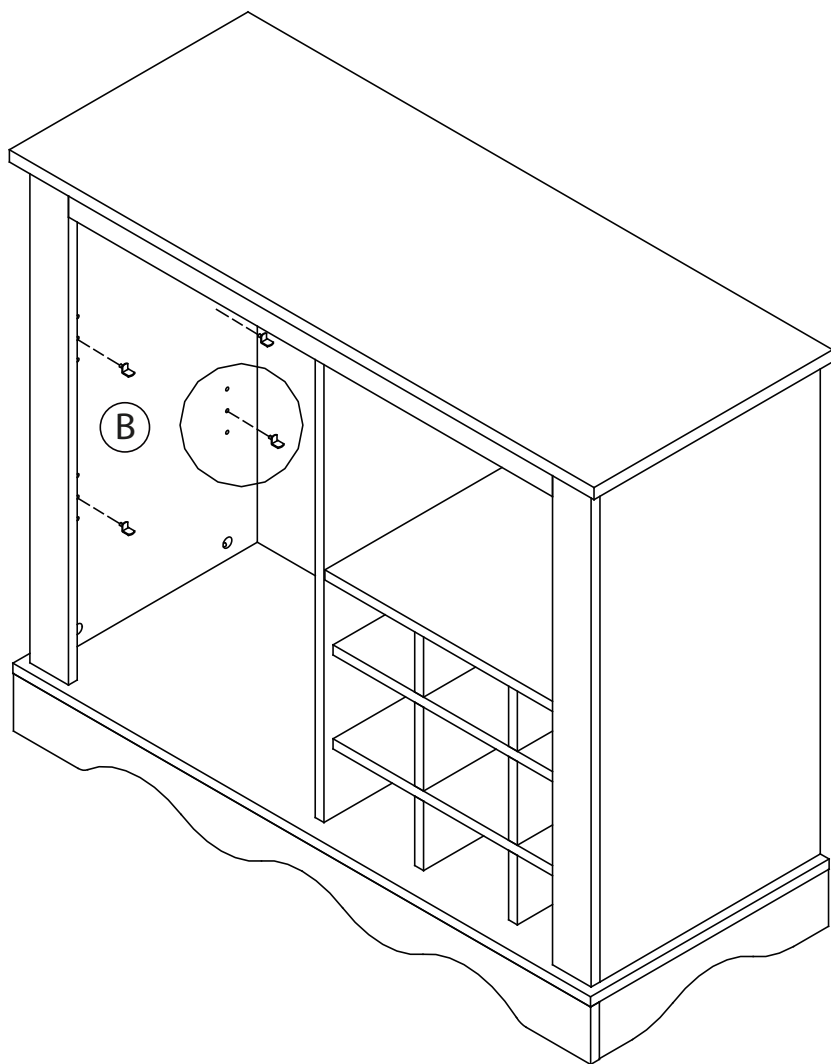


(x8)

CC



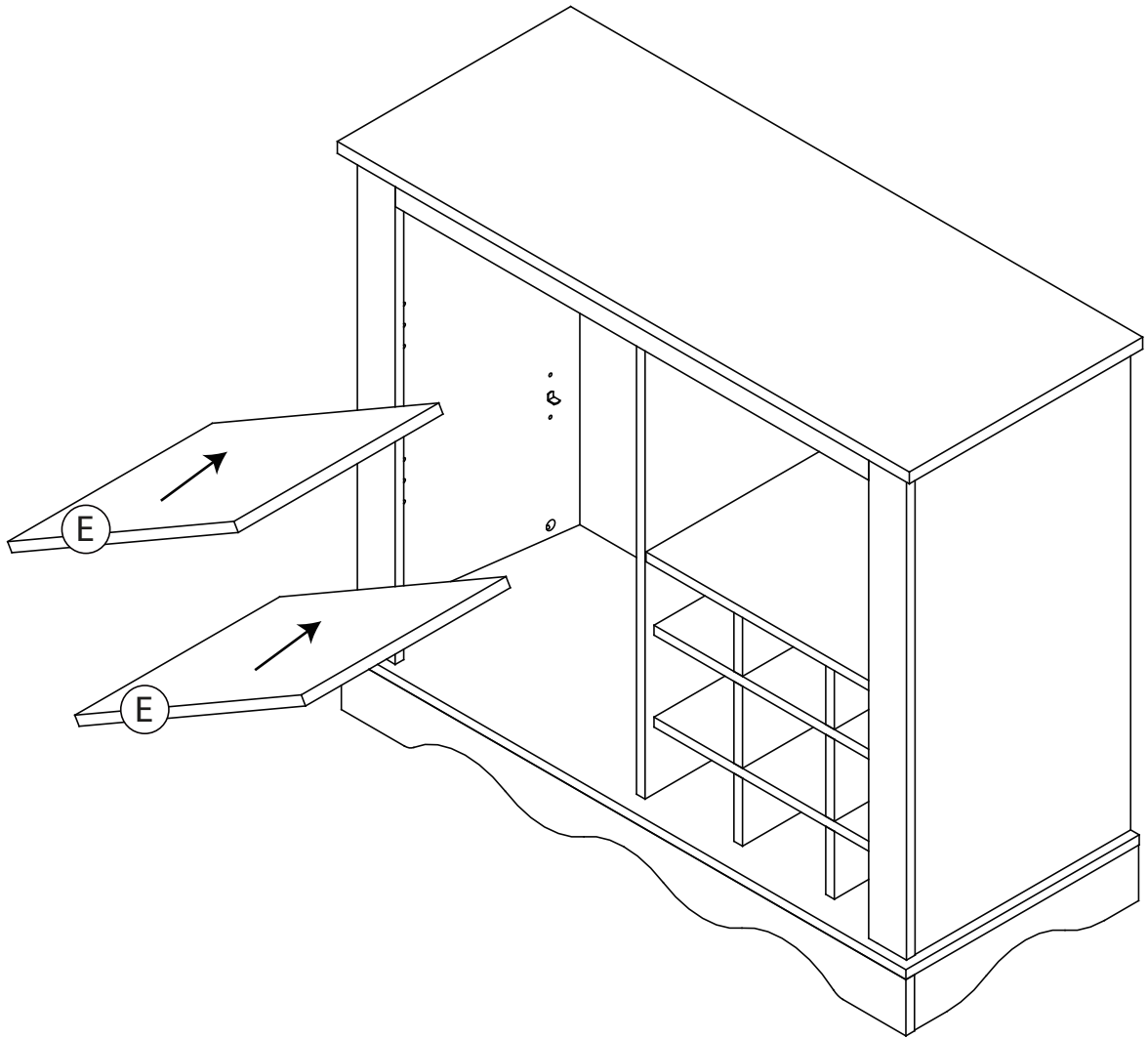
(x8)

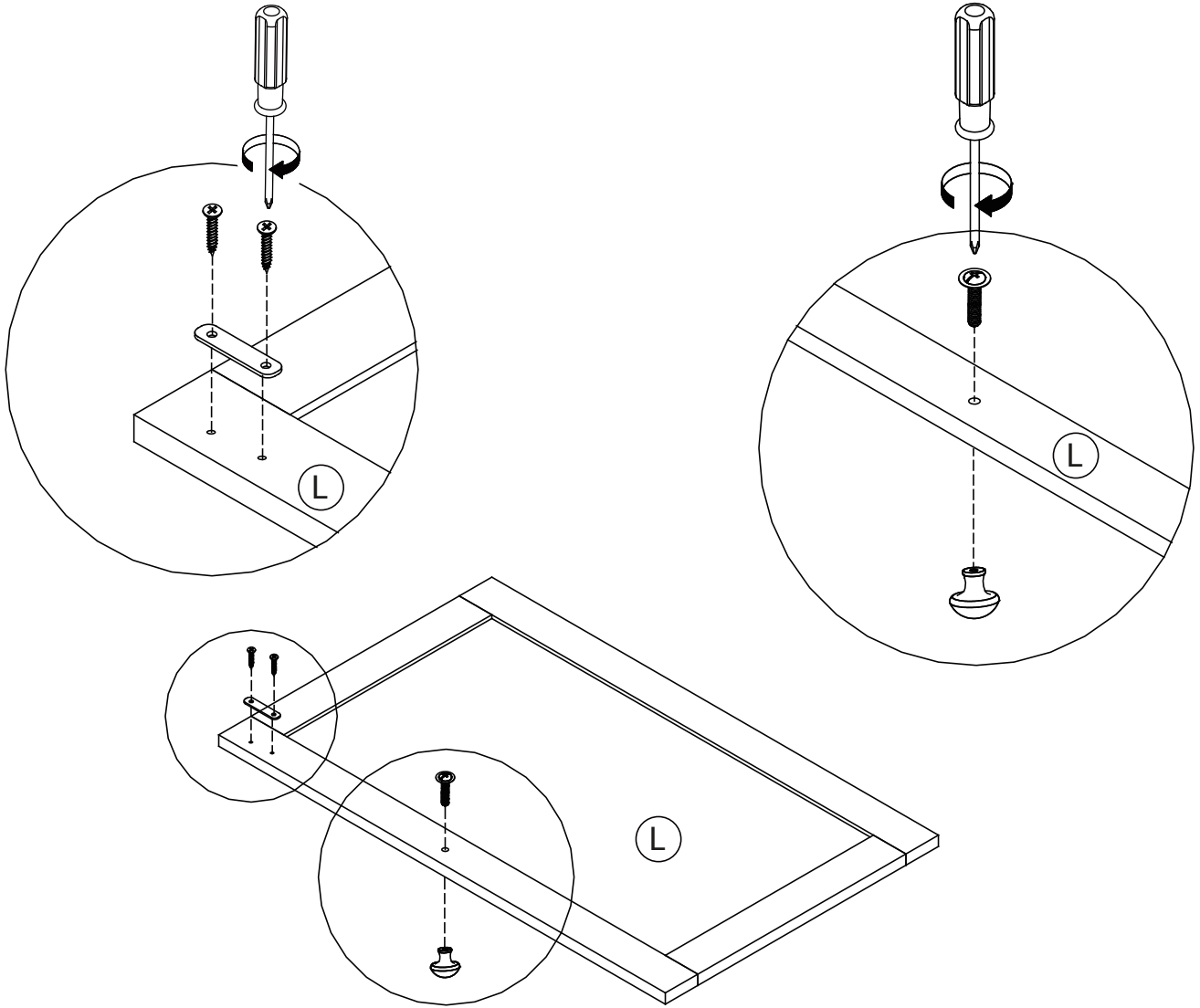


KK

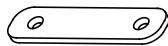


(x8)





FF



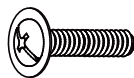
(x1)

HH



(x2)

II



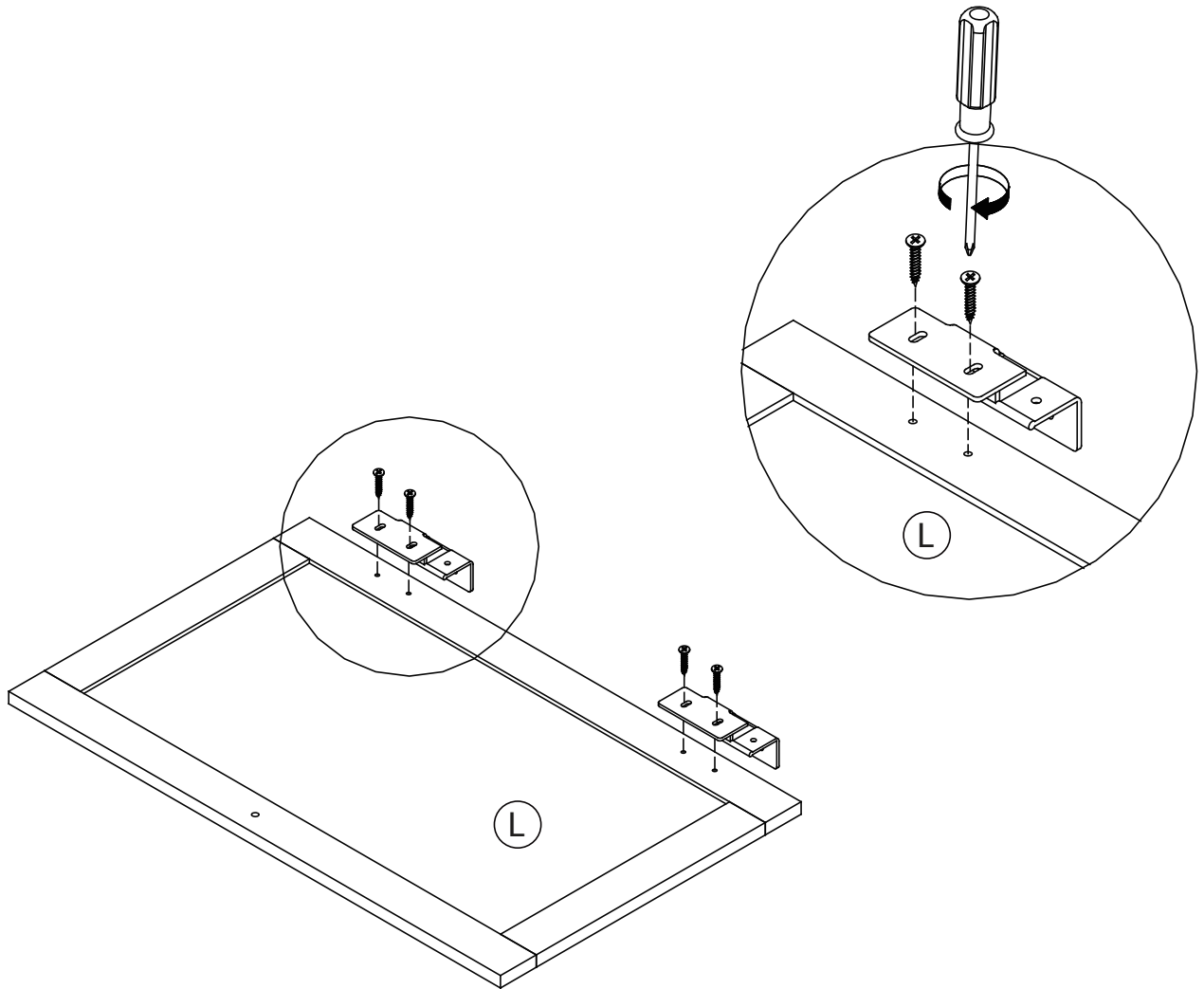
(x1)

JJ

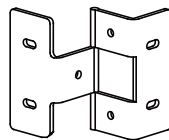


(x1)

23

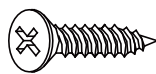


DD



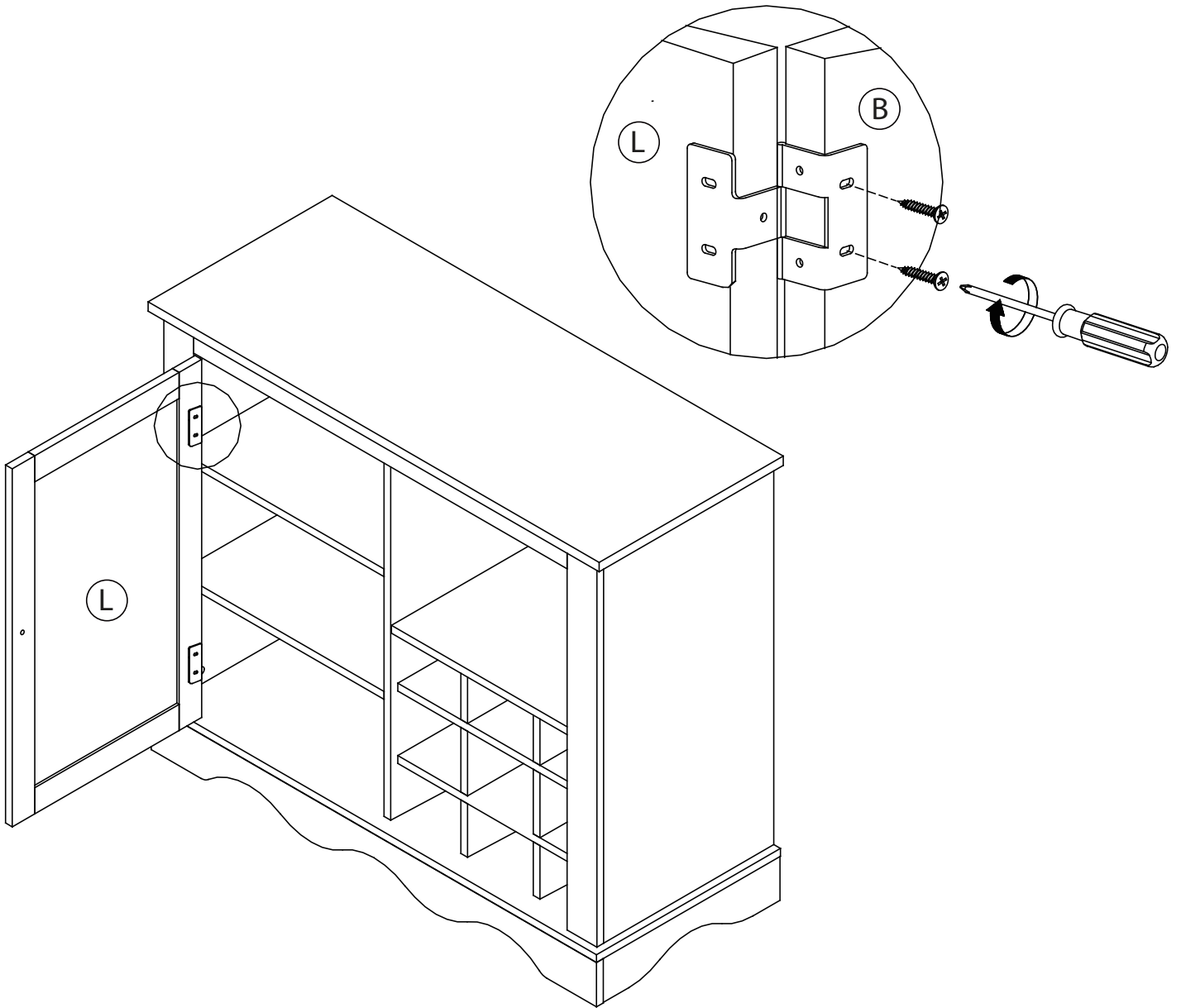
(x2)

GG



(x4)

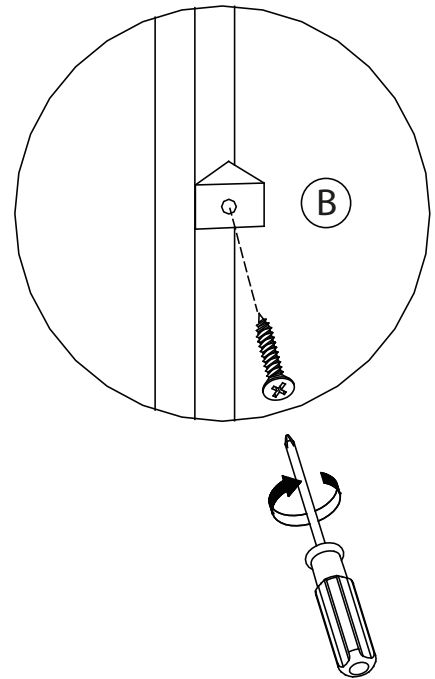
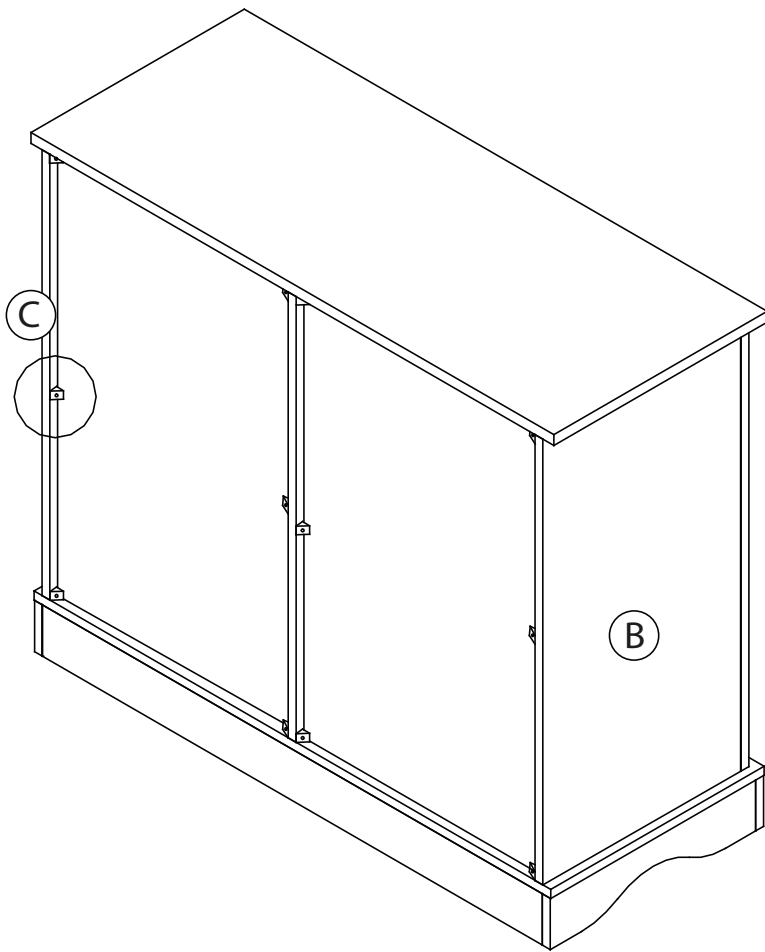
24



GG



(x4)

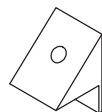


GG



(x12)

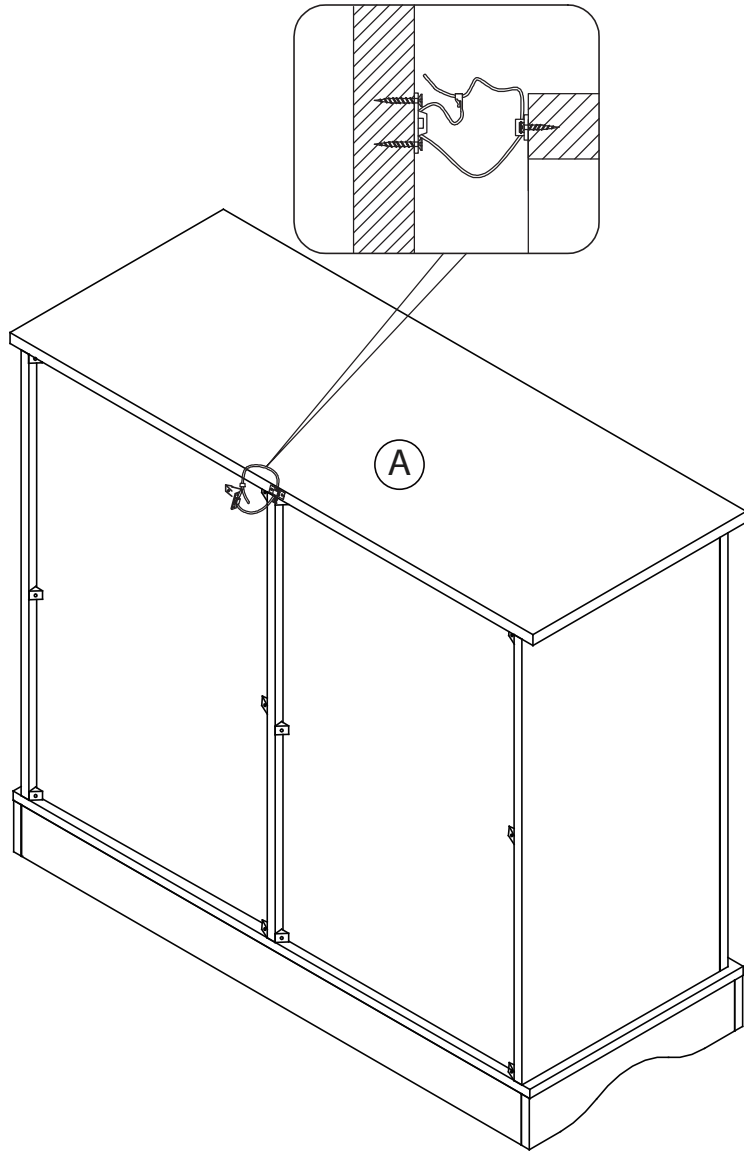
MM



(x12)

26

Note: We recommend the use of the wall attachment bracket/strap provided for safety reasons. Secure the other end of the strap to the wall with an appropriate screw and wall plug for your wall type(not provided). To hide the strap behind the unit, drill the hole lower than the top of unit. Warning: Always ensure intended wall area to be drilled is free from hidden electrical wires, water and gas pipes. NB: Wall fixings are not included-Please source suitable fixing for your wall type. If in doubt please consult a qualified trades person. Please ensure you secure your product to the wall for you and your family's safety before you use it.



NN



(x1)