

Assembly Instructions

Read these instructions and follow steps carefully to ensure you assemble the product correctly and avoid damages. Check that all parts and hardware have been provided before assembling the product. Place all contents on a clean, soft-flat surface to avoid scratching the product.

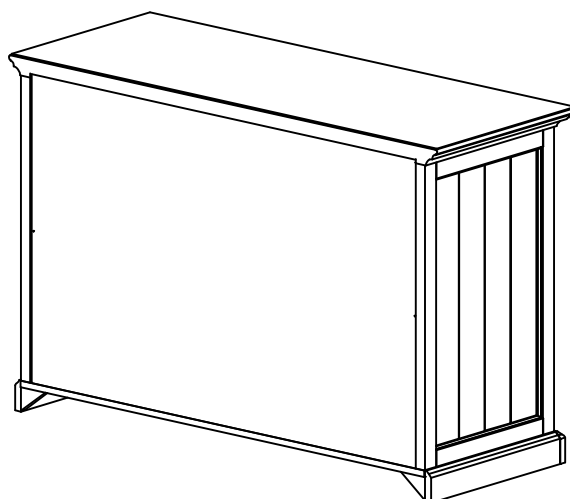
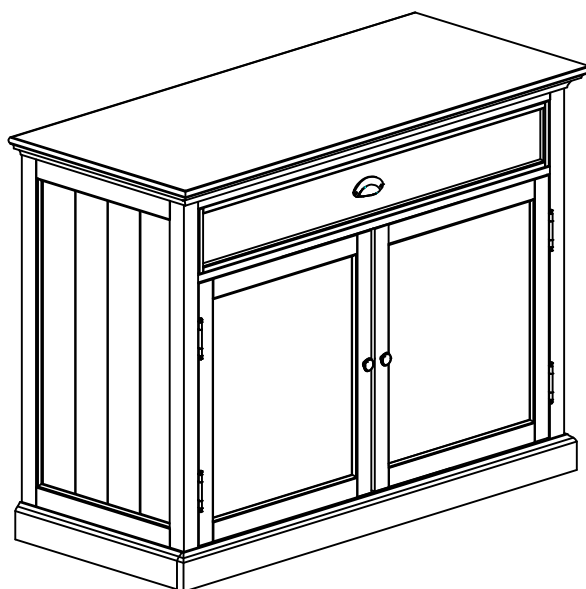
⚠ CAUTION:

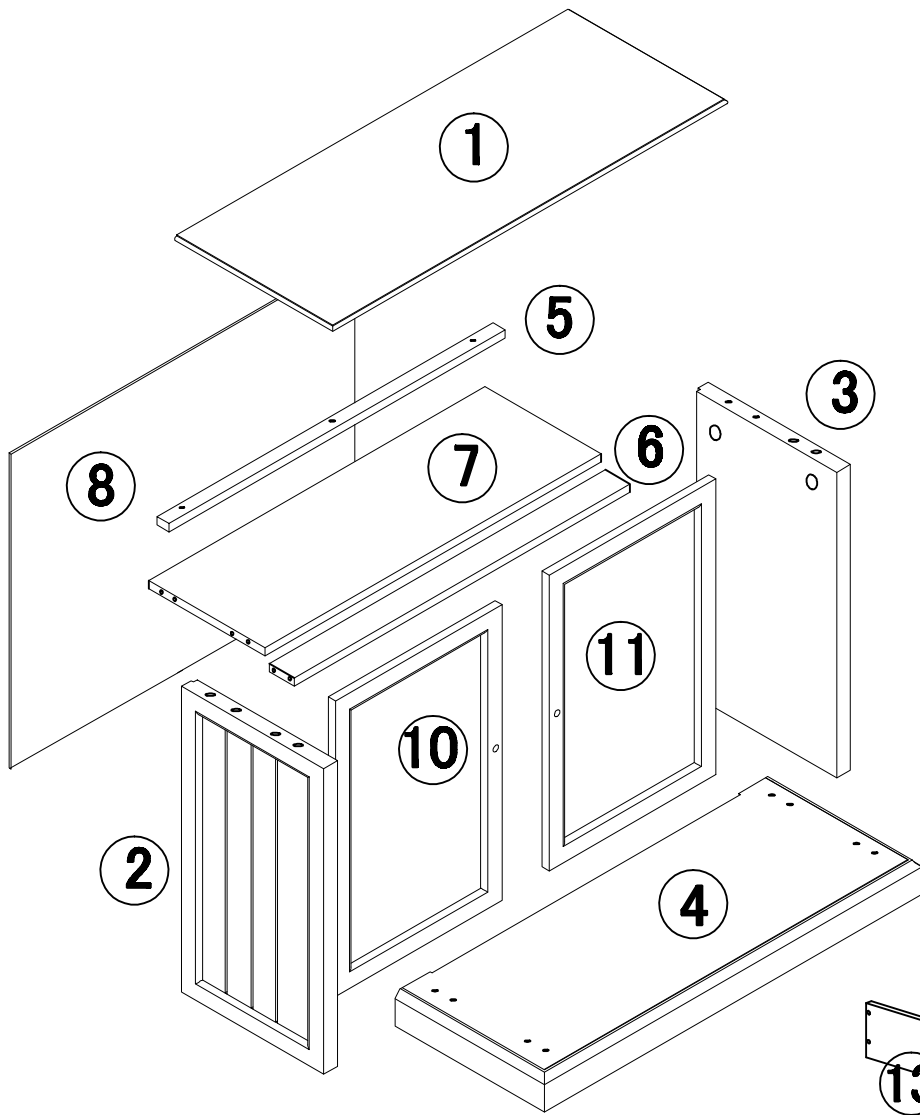
Only tighten bolts to 80% at first. Once all parts have been assembled, fully tighten all hardware.

To prevent damage to threads, do not use a power tool and do not overtighten bolts. Use two people to lift and turn the product when assembling.

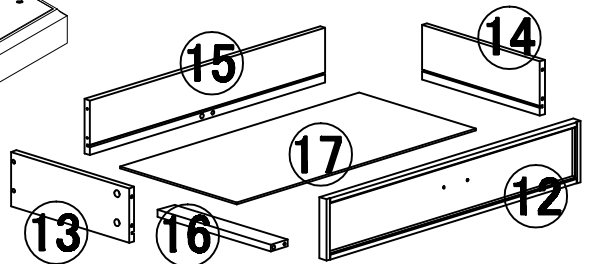
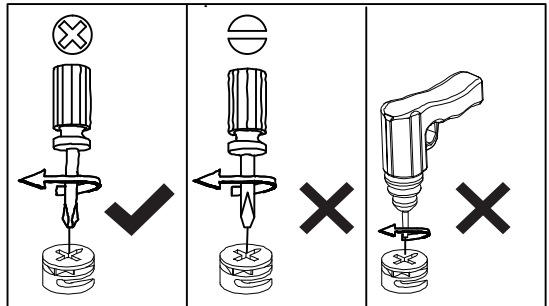
Do not attempt with one person and do not roll onto legs.

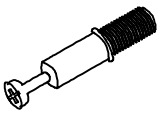

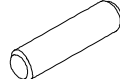


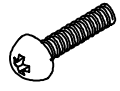

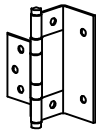



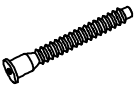
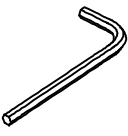

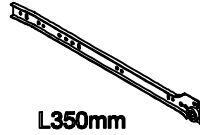
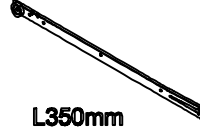
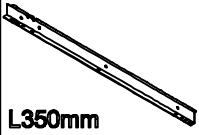


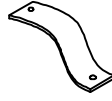
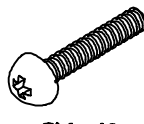
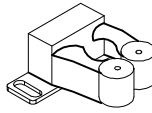
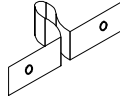
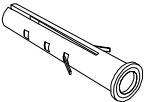

Keep all hardware and small parts away from children.

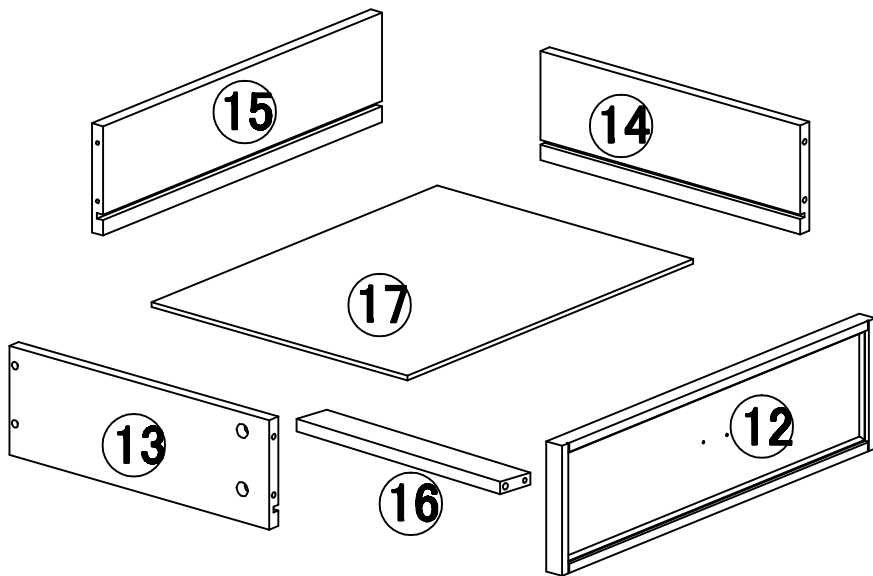
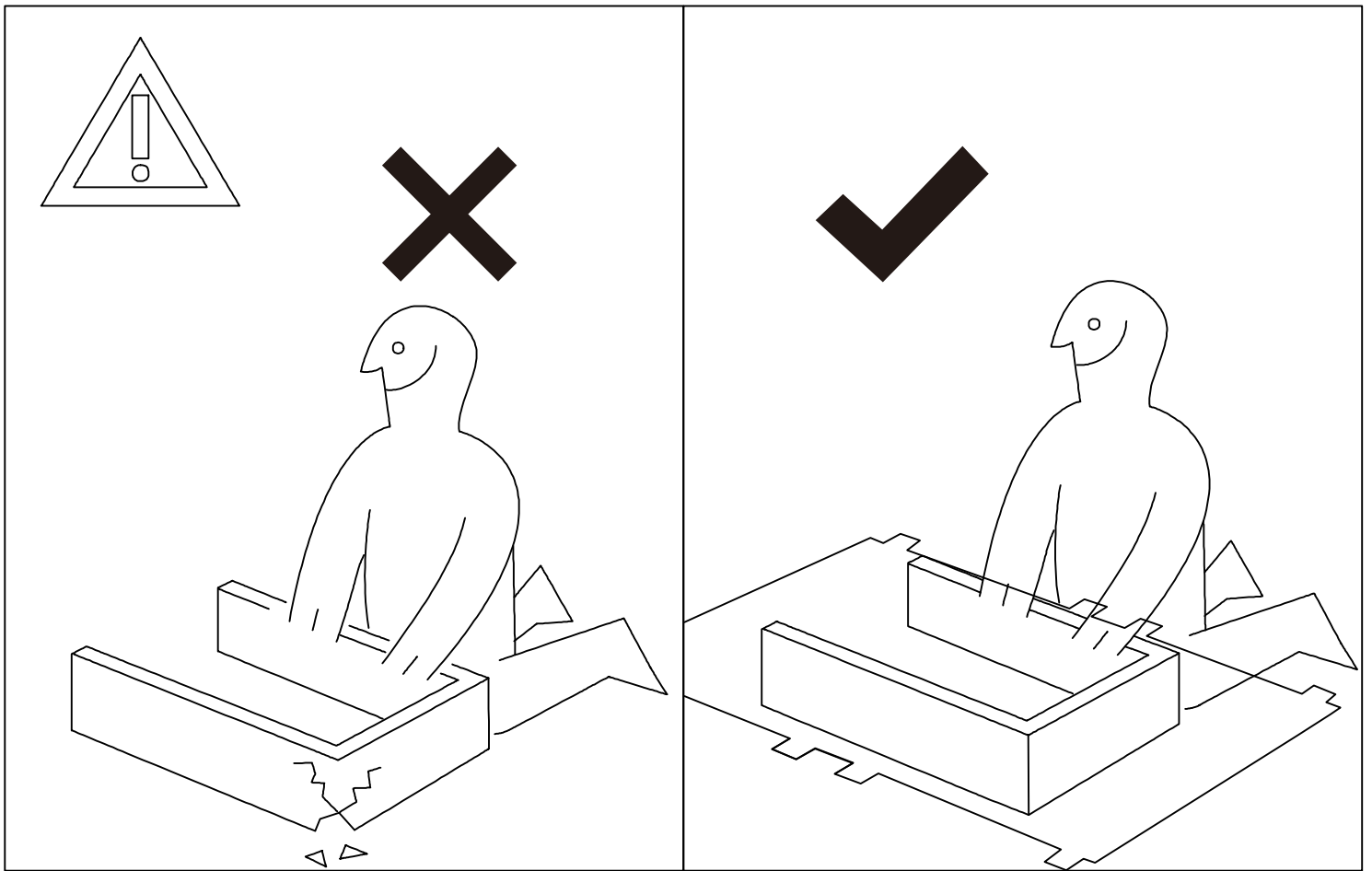




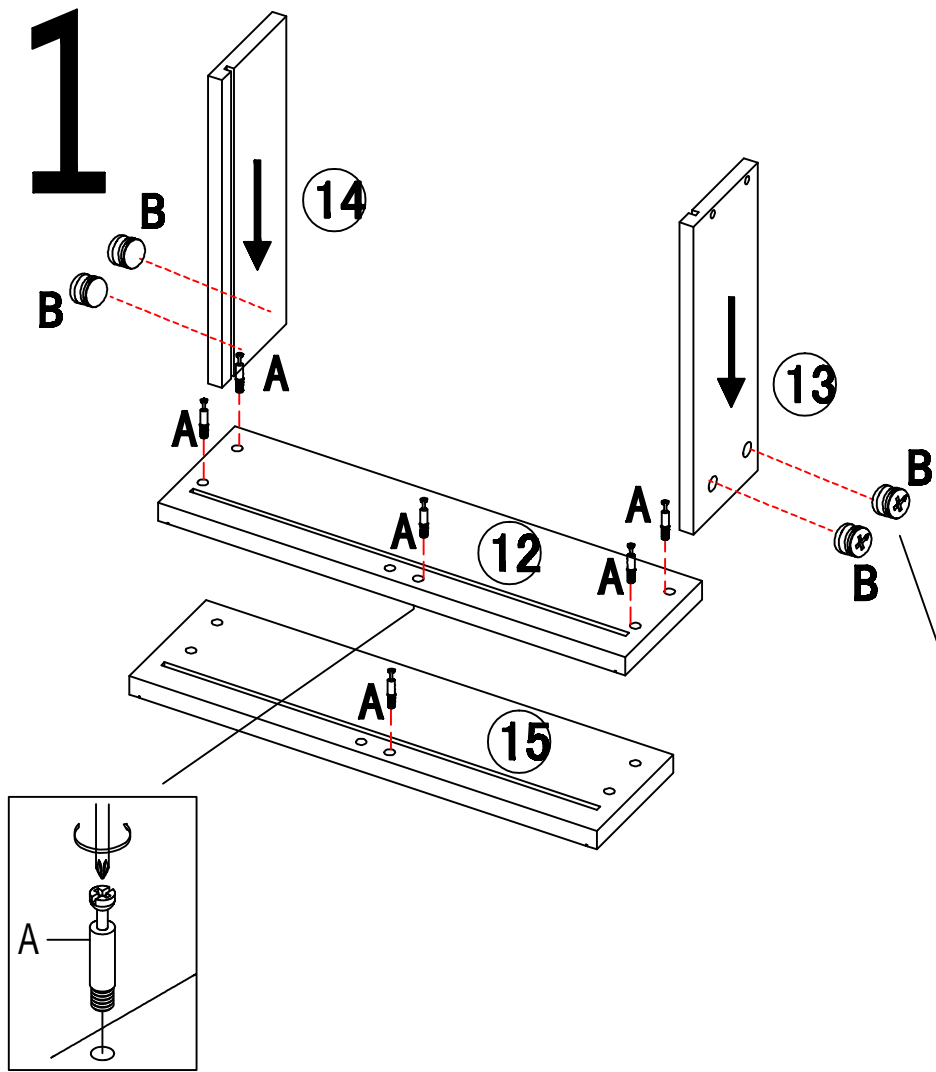
Parts included in carton 1 of 1:






Ax14  Ø6x34mm	Bx14  Ø15x9mm	Cx14  Ø8x30mm	Dx7  Ø4.0x30mm	Ex48  Ø3.5x14mm	Fx2  Ø4x12mm
Gx2  Ø25x25mm	Hx4 	Ix14  Ø1x15mm	Jx4  Ø5mm	Kx1 	Mx6  Ø7x50mm
Nx1  M4	CLx1  L350mm	CRx1  L350mm	DLx1  L350mm	DRx1  L350mm	Px14  Ø21mm
Qx4 	Rx2 	Sx2  Ø4x18mm	Tx2 	Ux2 	Vx2 
Wx2  Ø4.0x40mm					

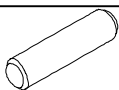


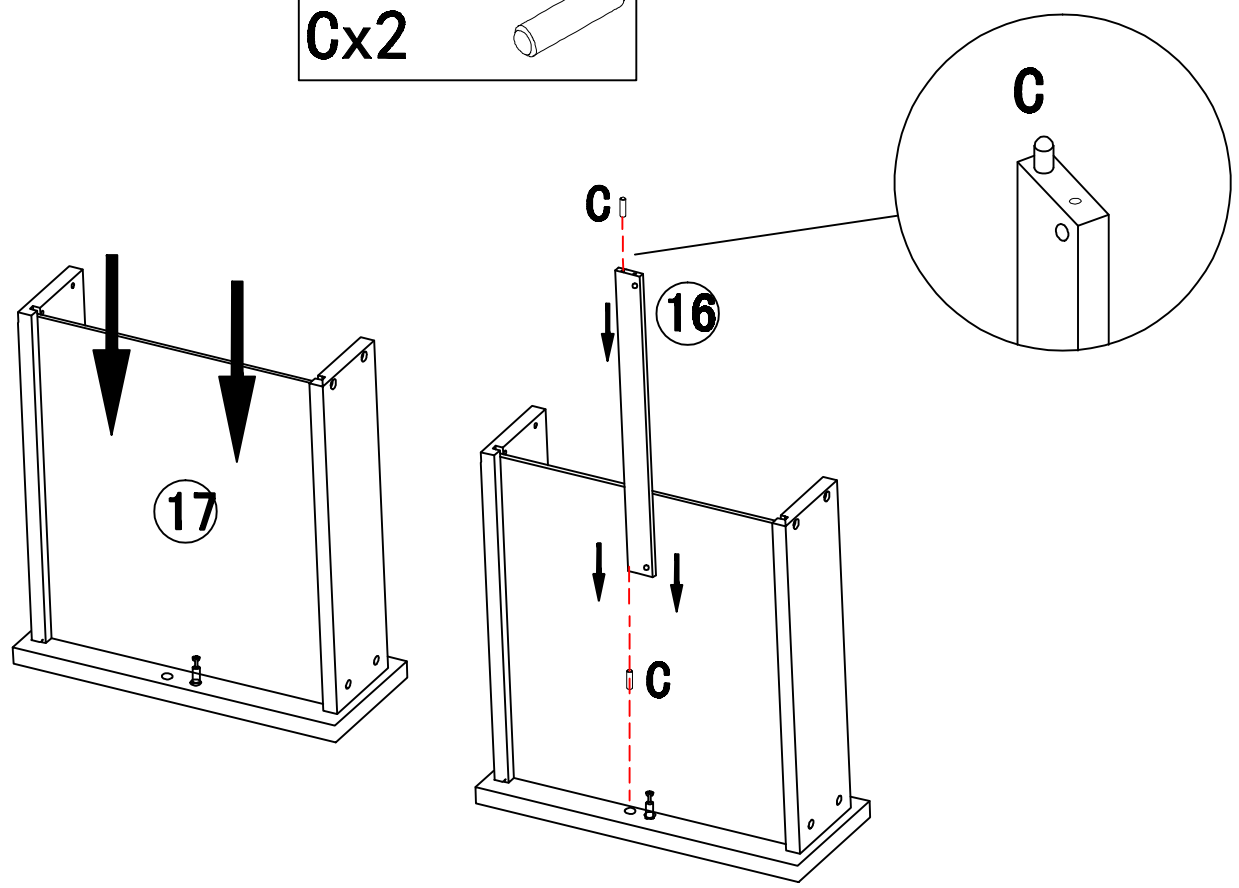
1



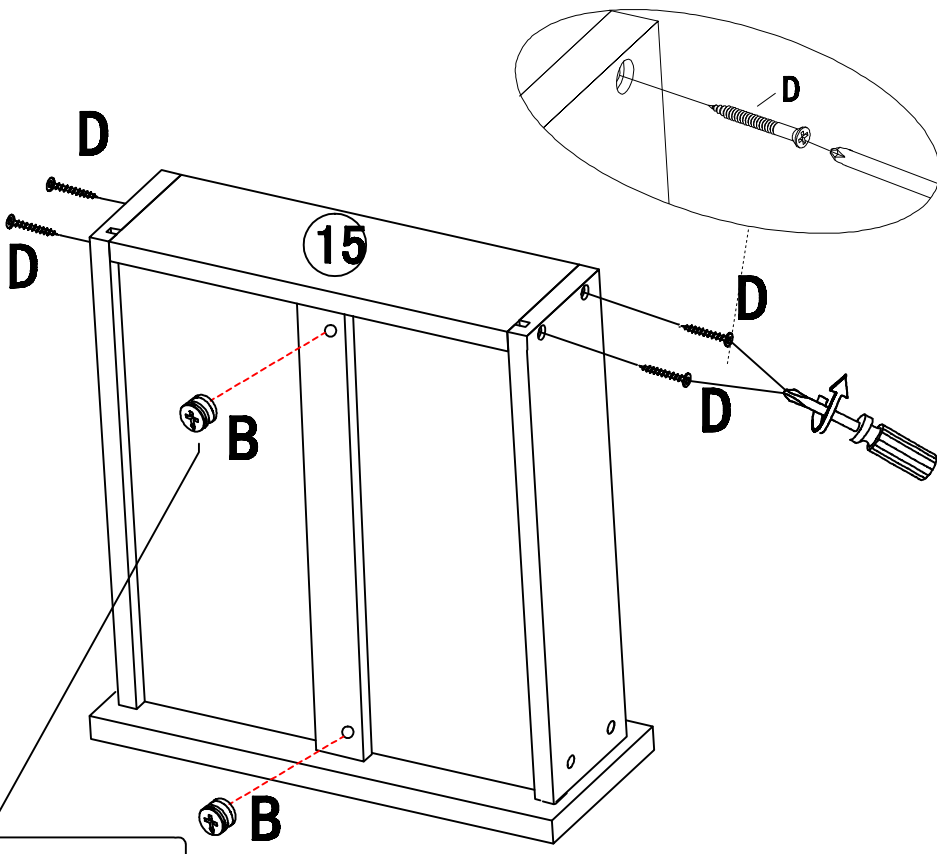
- Ax6 
- Bx4 
- Px4 




2

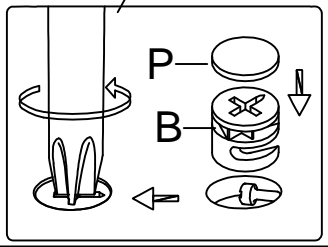
- Cx2 



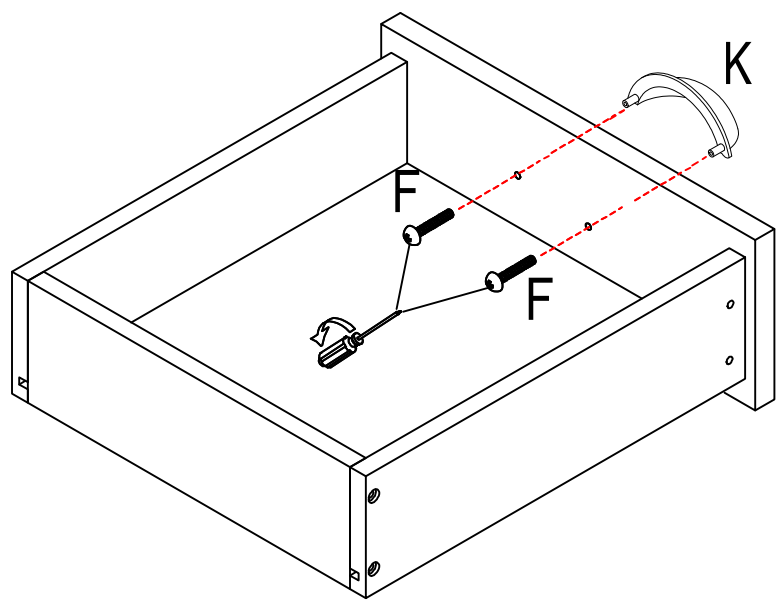
3

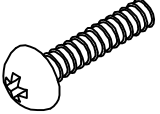



- Dx4 
- Bx2 
- Px2 

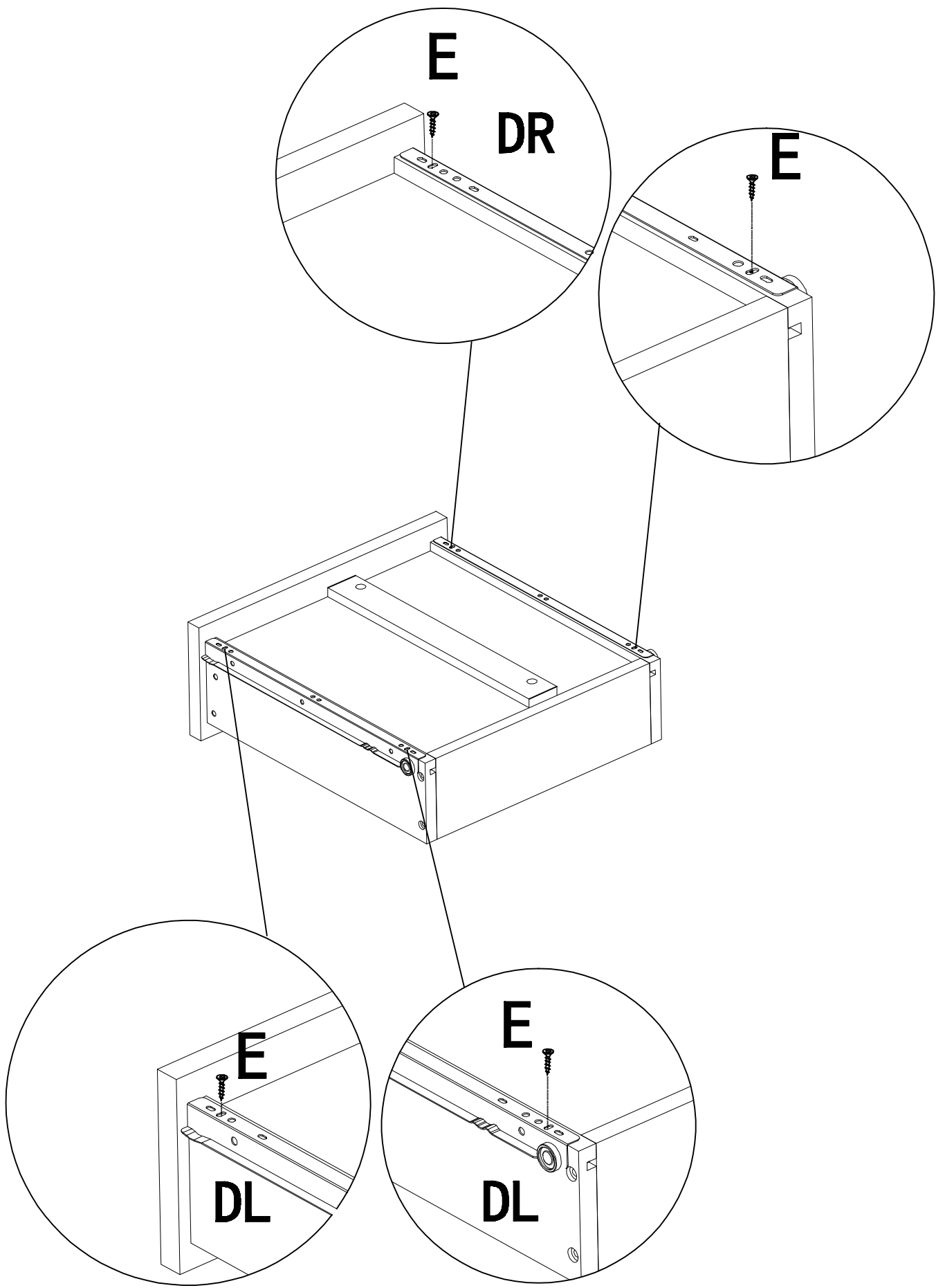


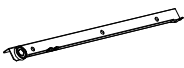
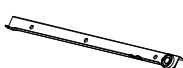

4




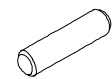



- Fx2 
- Kx1 

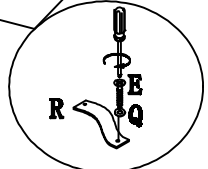
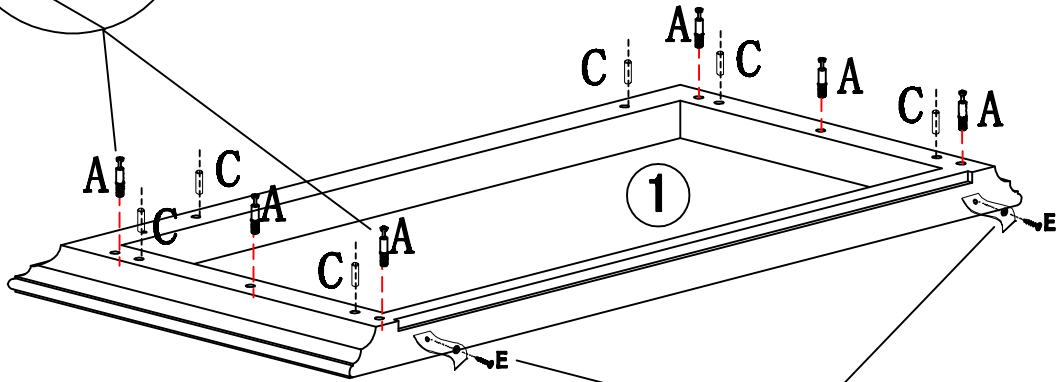
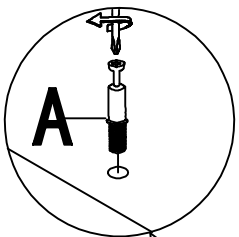
5





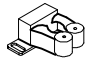
<p>DRx1</p> 	<p>DLx1</p> 	<p>Ex4</p> 
--	--	---

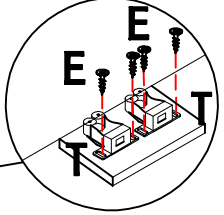
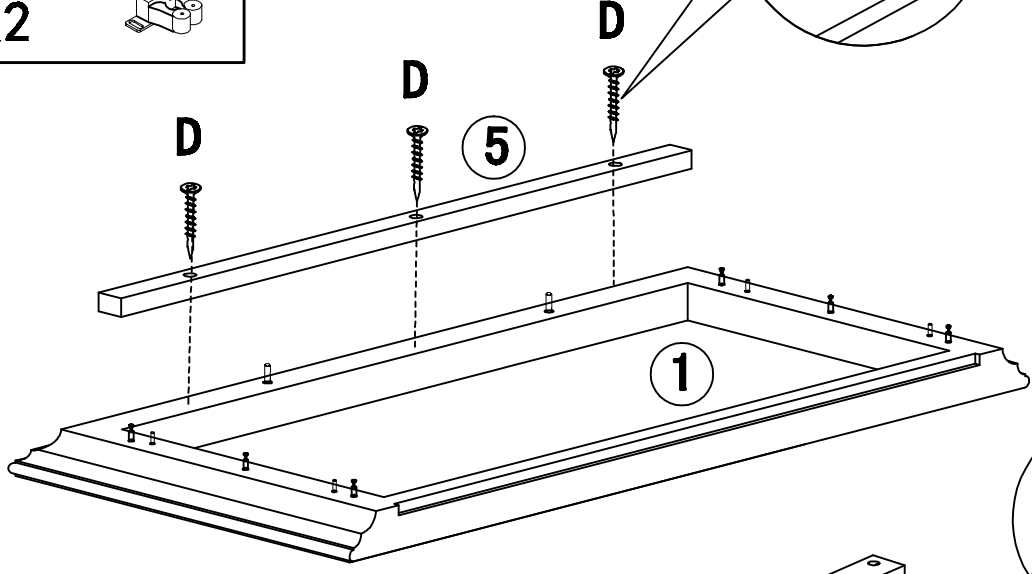
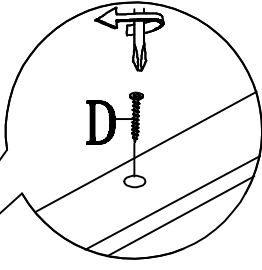
6

- Ax6 
- Cx6 
- Ex2 
- Qx2 
- Rx2 



7

- Dx3 
- Ex4 
- Tx2 



8

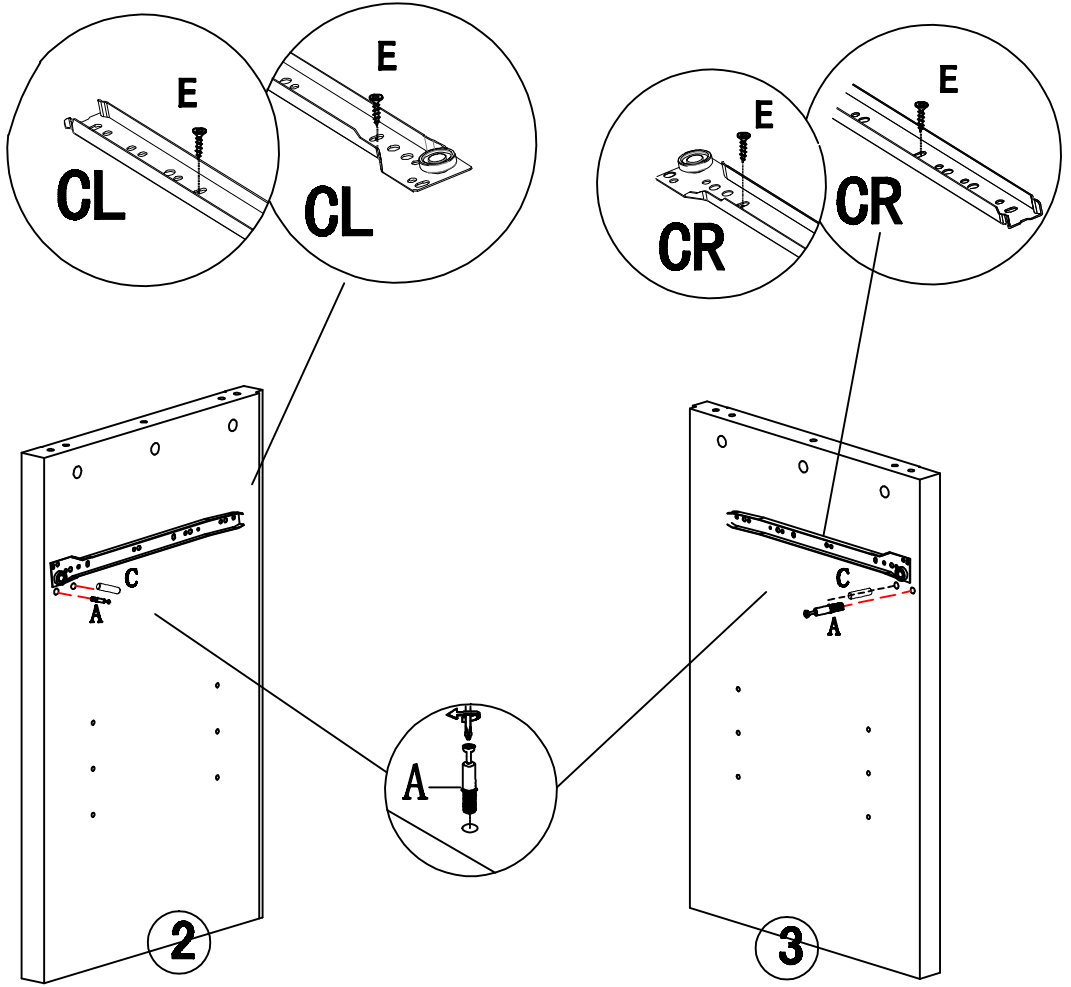
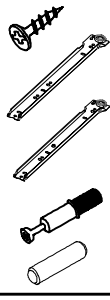
Ex4

CRx1

CLx1

Ax2

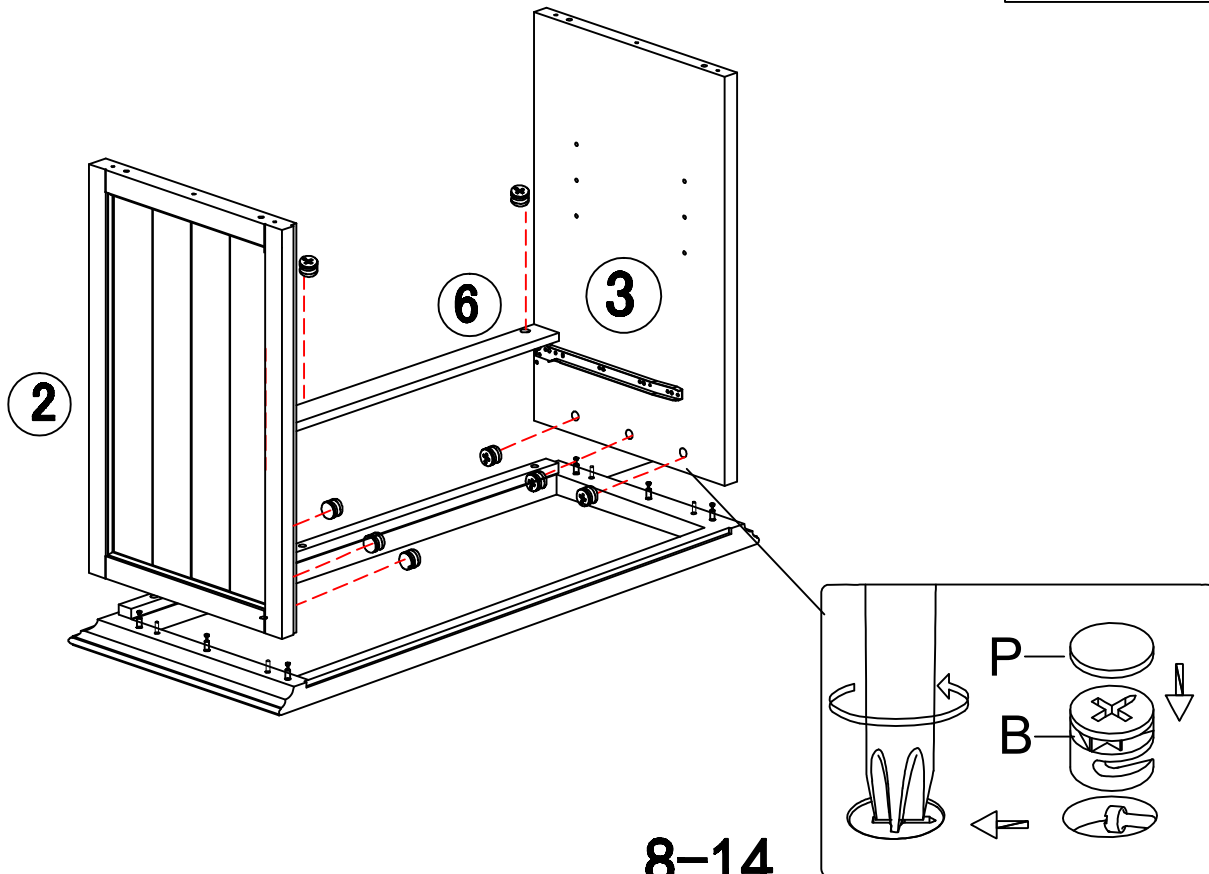
Cx2



9

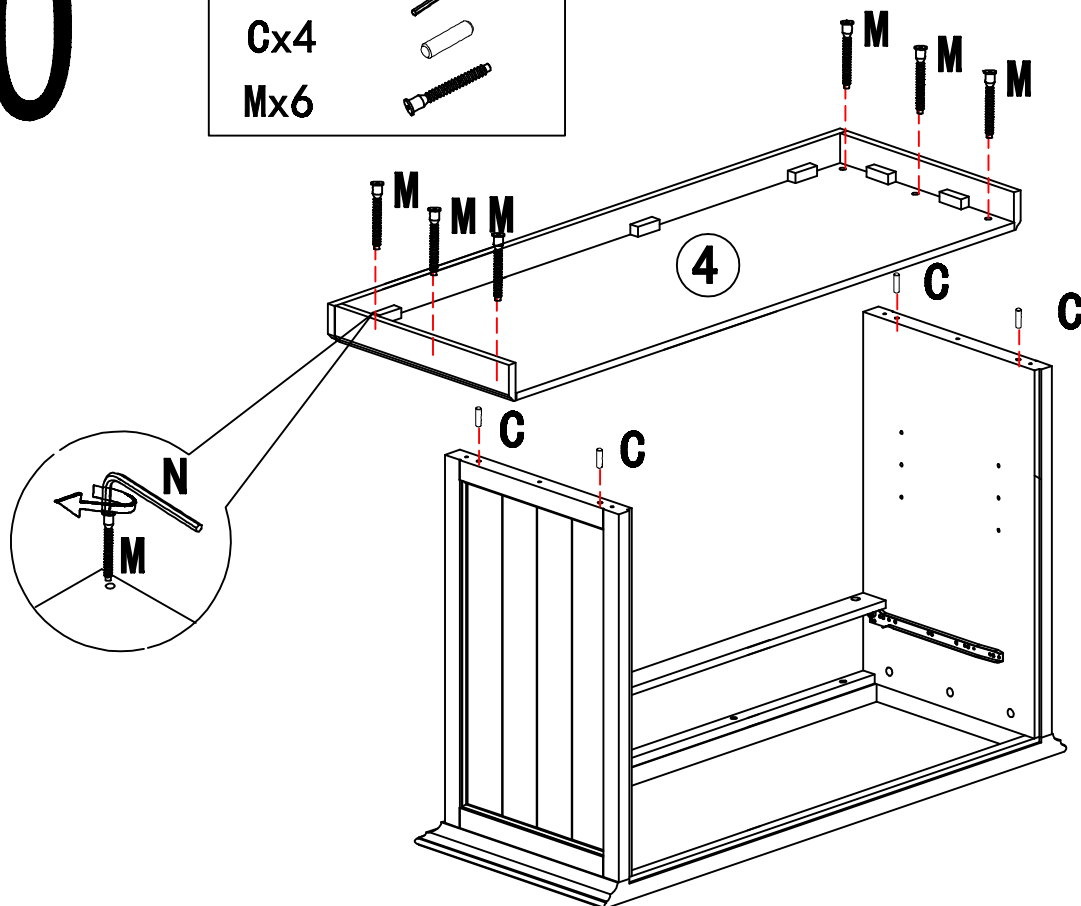
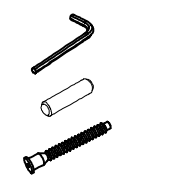
Bx8

Px8



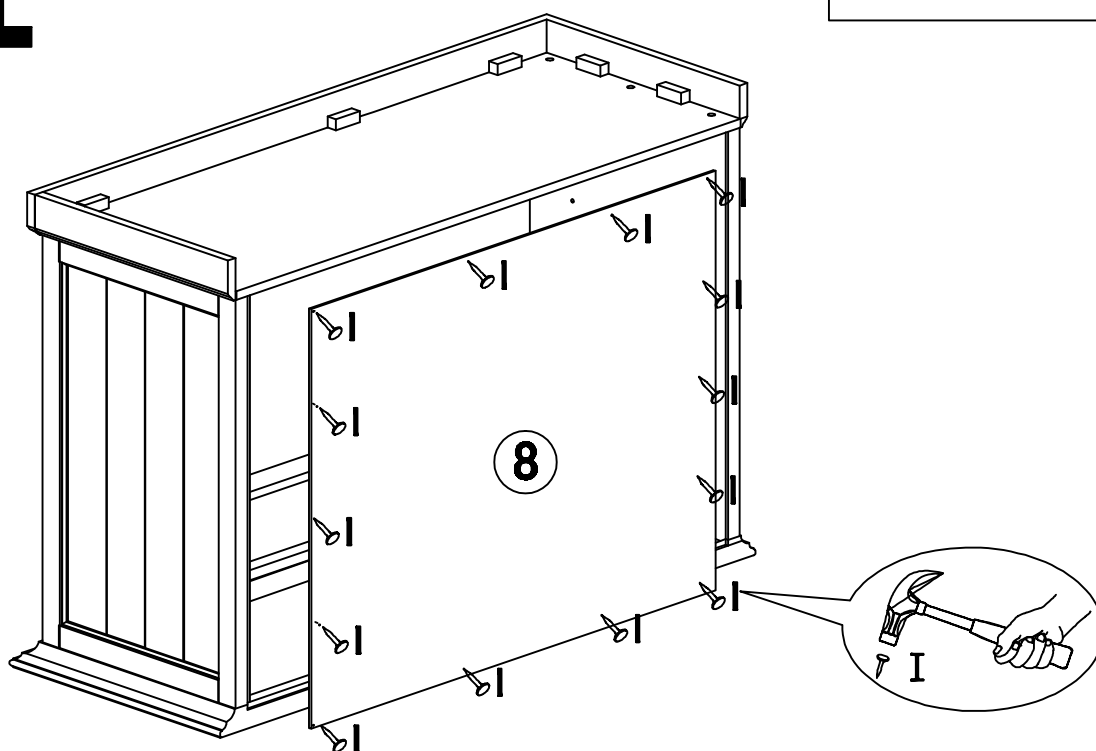
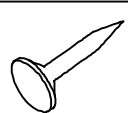
10

Nx1
Cx4
Mx6



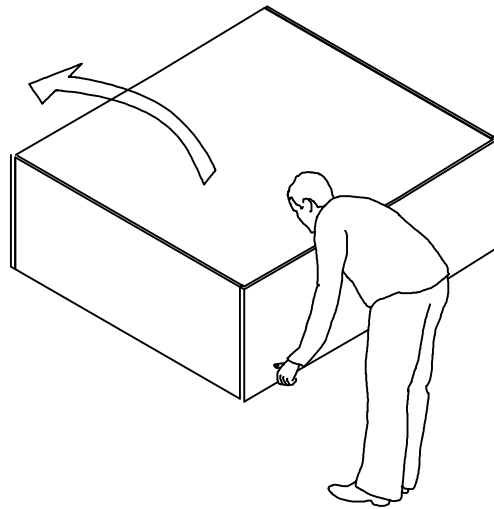
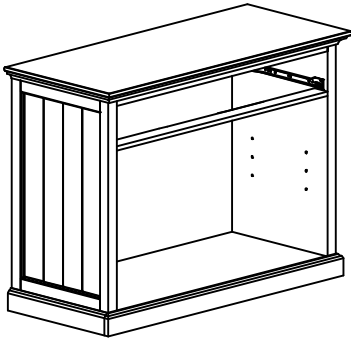
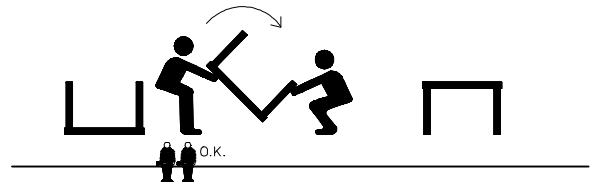
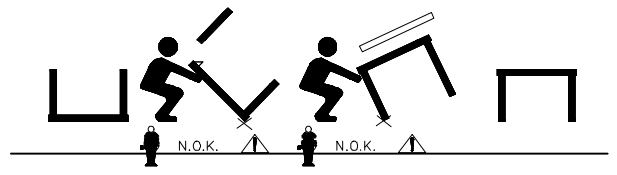
11

Ix14



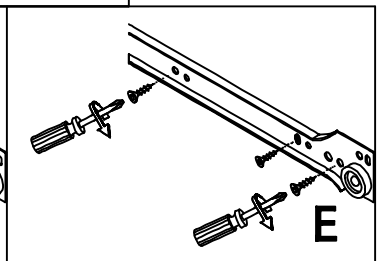
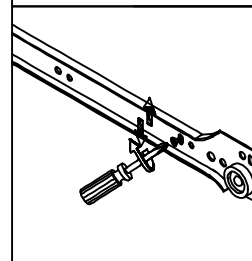
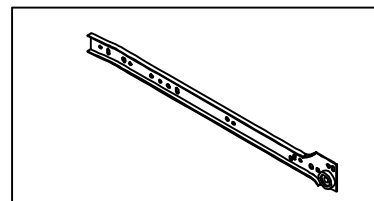
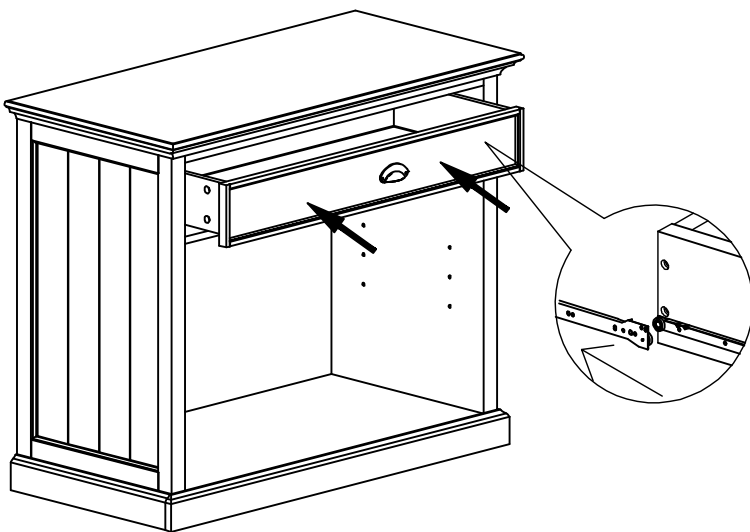
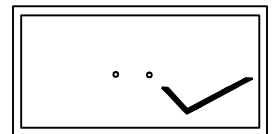
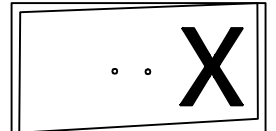
9-14

12







13

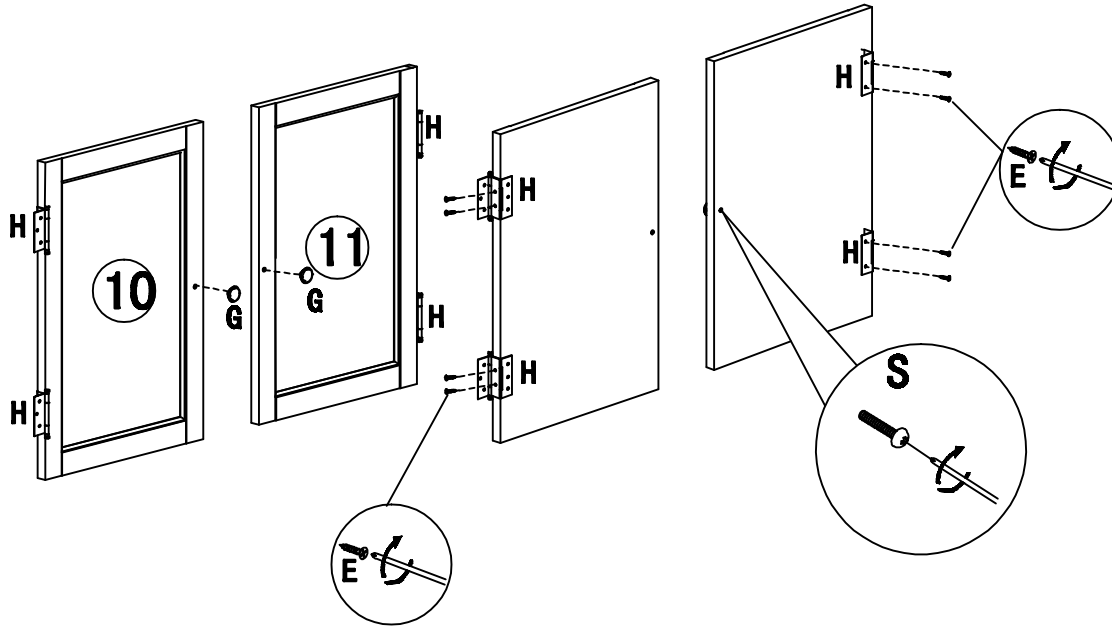
Ex2 




10-14

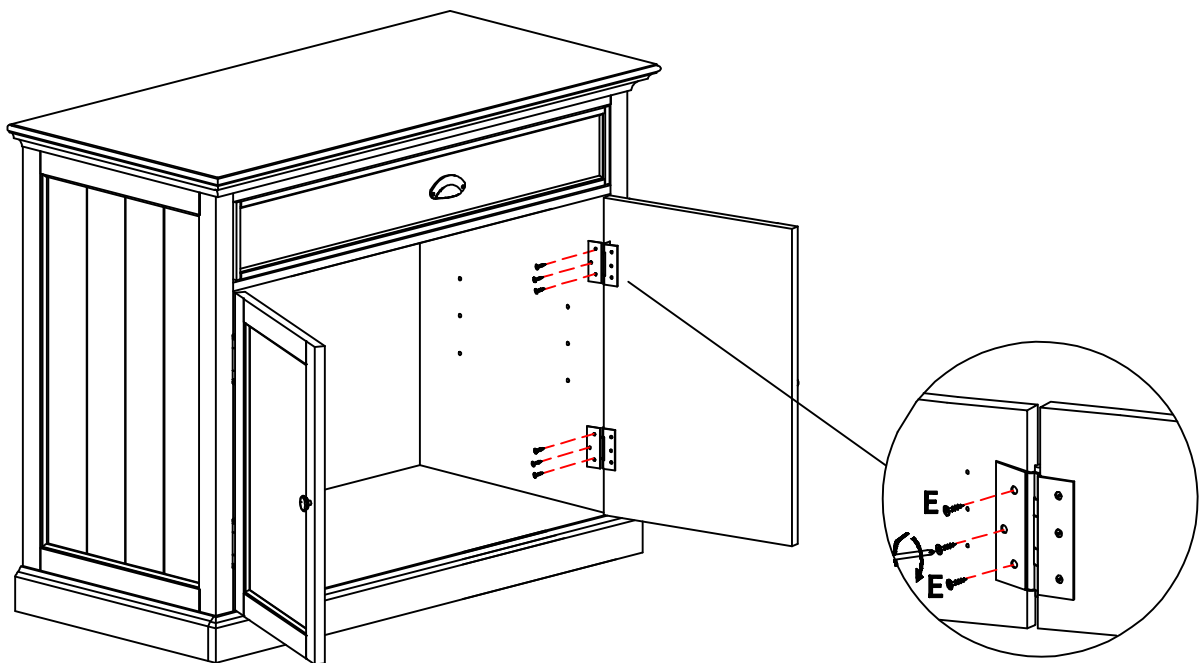
14

Ex16	
Sx2	
Gx2	
Hx4	




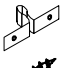

15

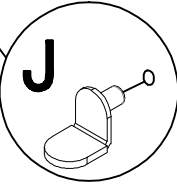
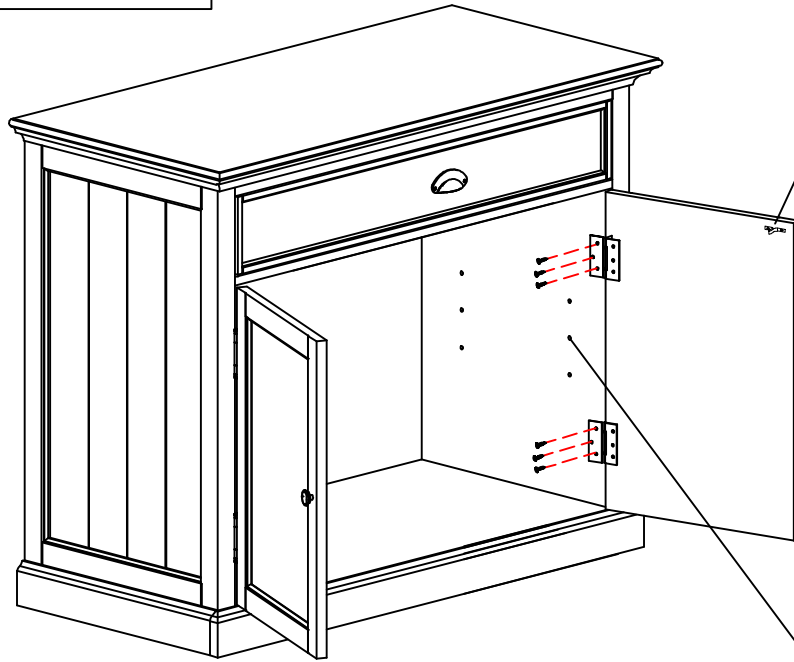
Ex12	
------	---



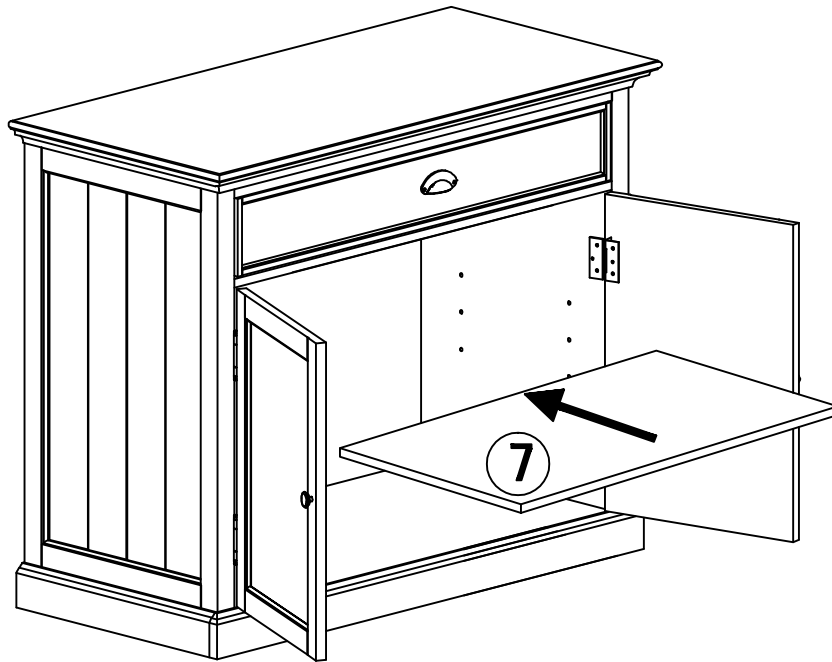
11-14

16

- Jx4 
- Ux2 
- Ex4 

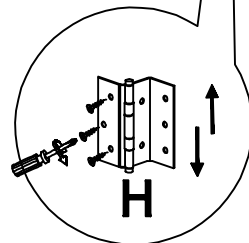
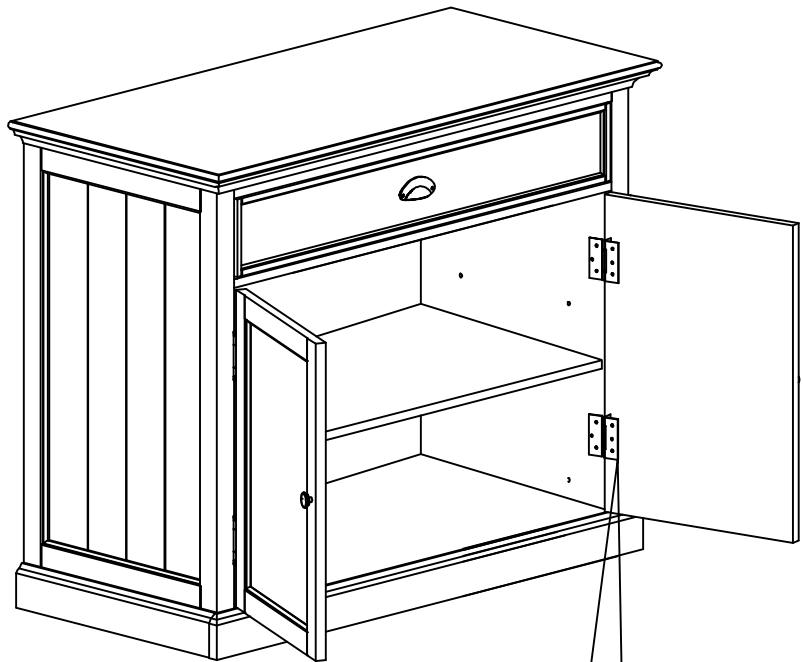
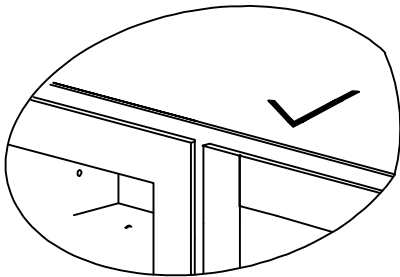
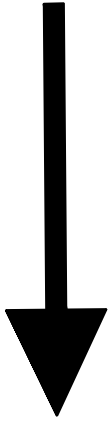
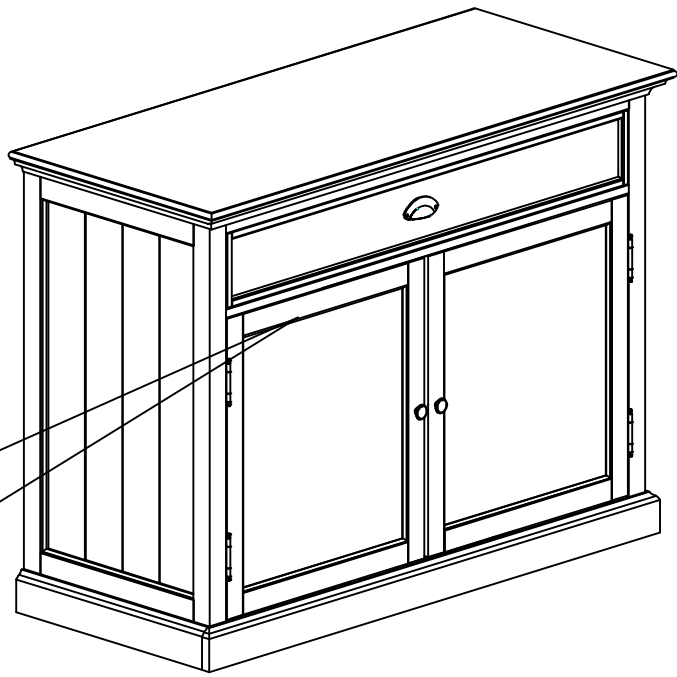
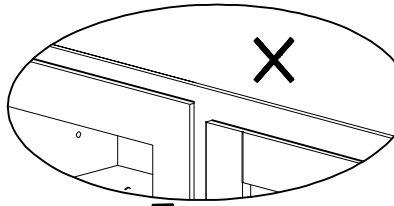


17



12-14

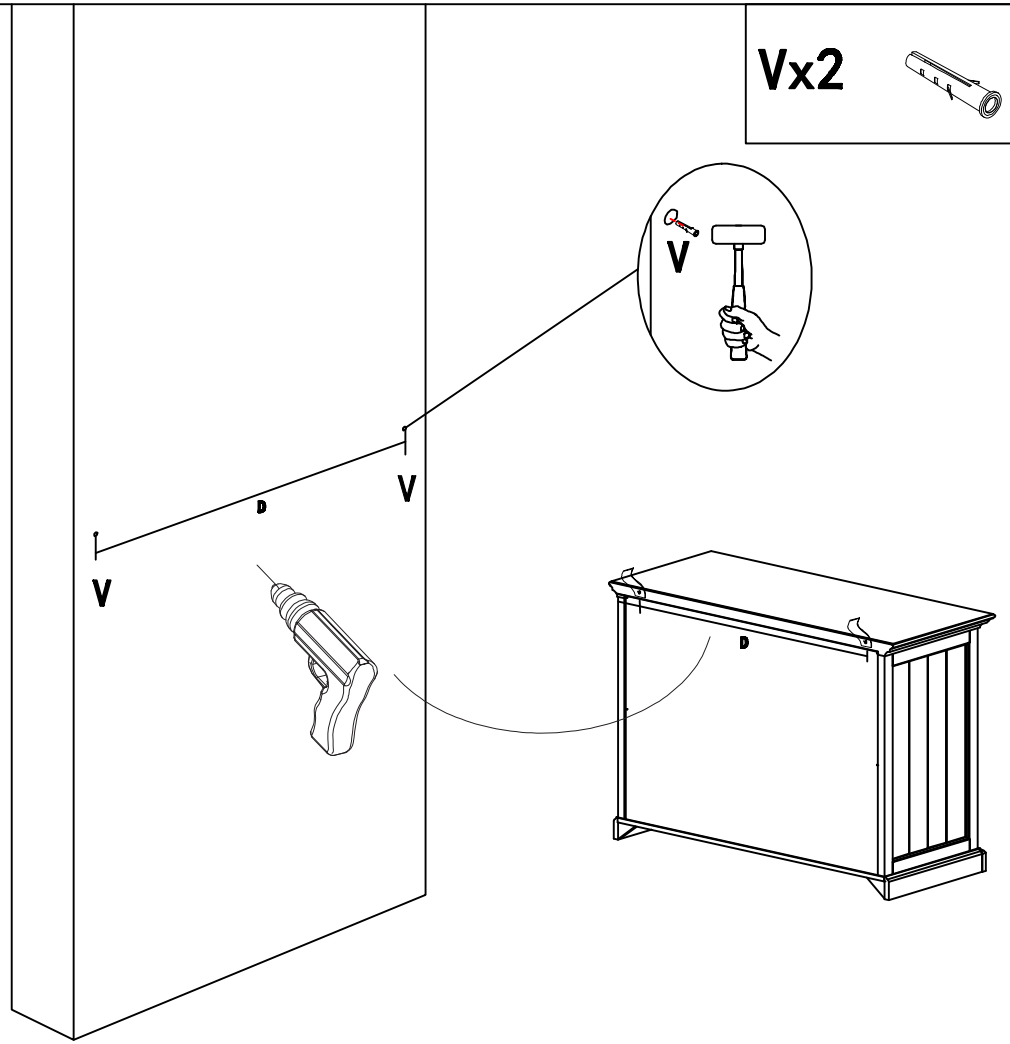
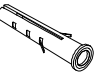
18



13-14

19

Vx2

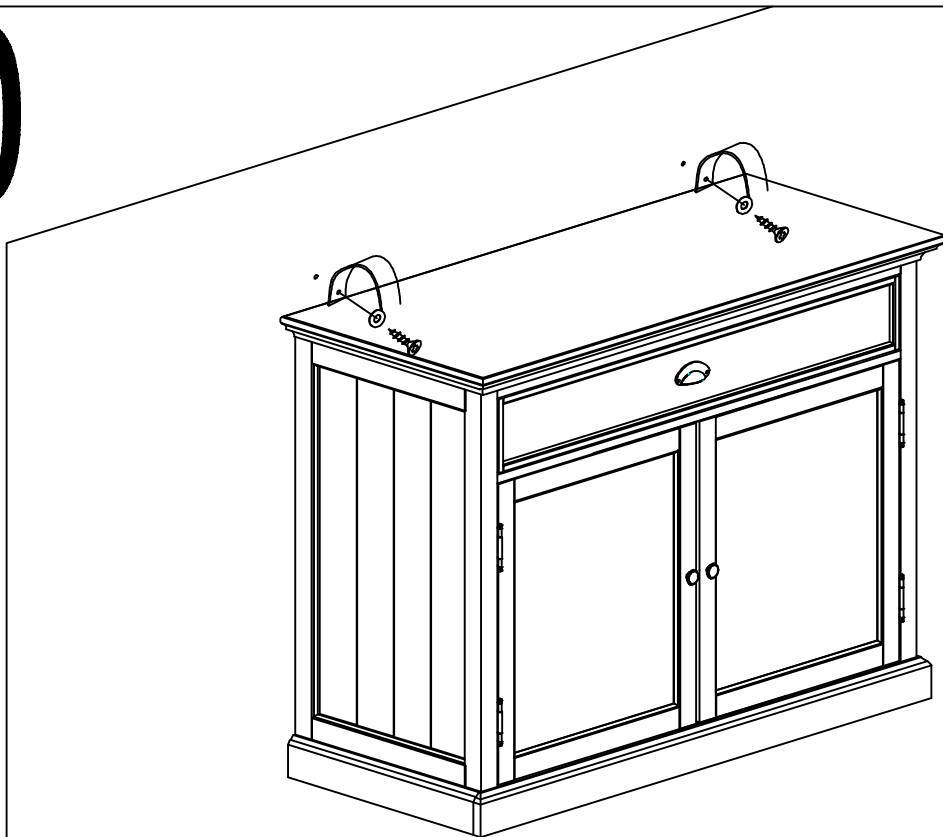


20

Wx2



Qx2



Please dispose of all packaging thoughtfully

14-14