

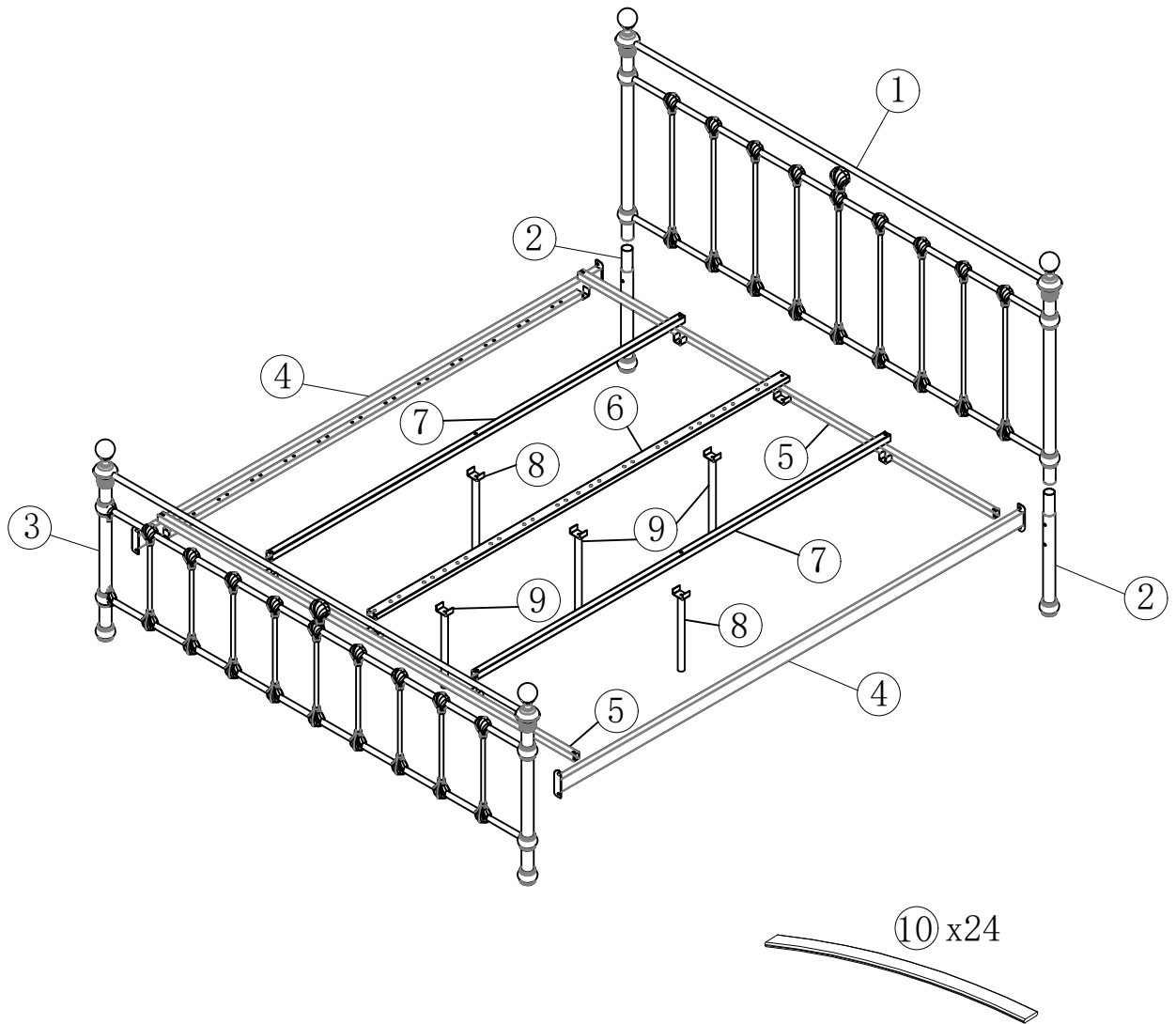
# VALERIE KING METAL BED ASSEMBLY INSTRUCTION











## **Warning**

*These beds are for Adults use only  
Not for babies / Toddler / Young children.*

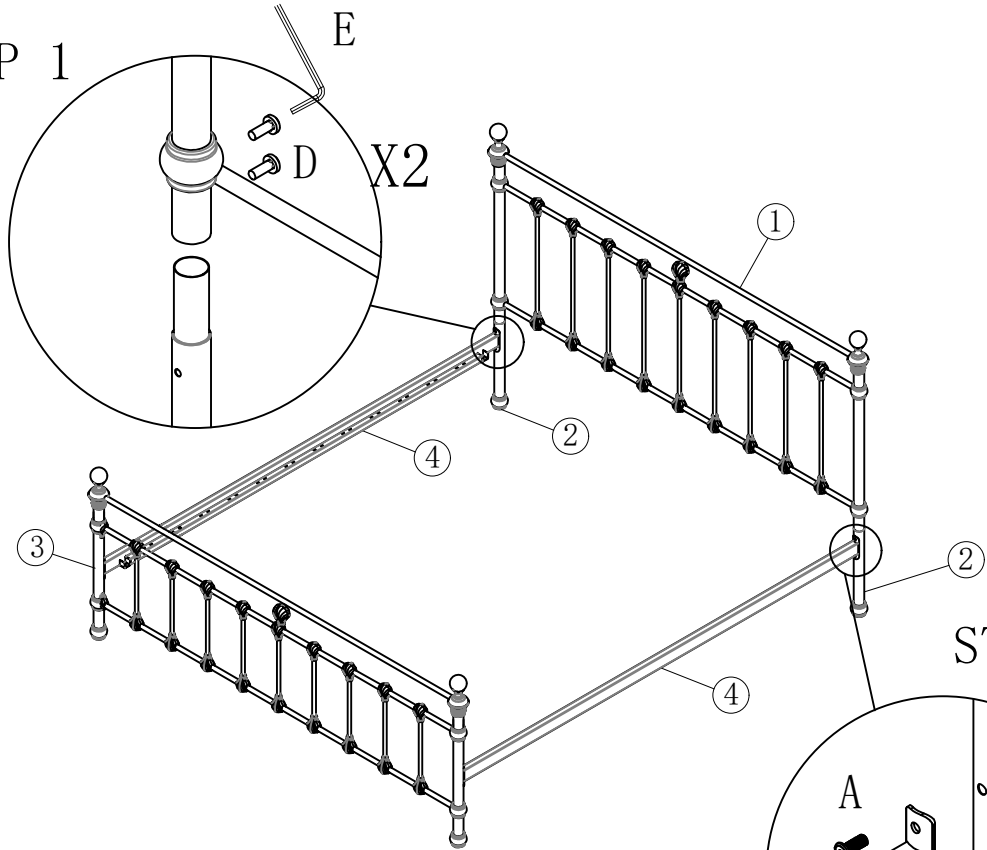


Remarks: Two adults are required to assemble this bed.

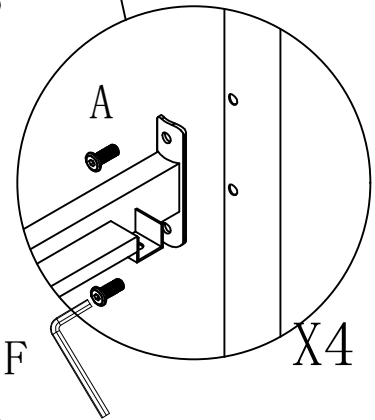


|   |   |   |   |   |   |  |   |   |   |
|---|---|---|---|---|---|--|---|---|---|
| A   | B   | C   | D   | E   | F   | G  | H   | I   | J   |
|  |  |  |  |  |  |  |  |  |  |
| M8*20mm<br>8pcs   | M6*35mm<br>15pcs  | M6mm<br>10pcs   | M6*16mm<br>4pcs   | M4<br>1pc   | M5<br>1pc   | M6<br>1pc  | 24pcs   | 12pcs   | ∅16*6.5<br>5PCS   |

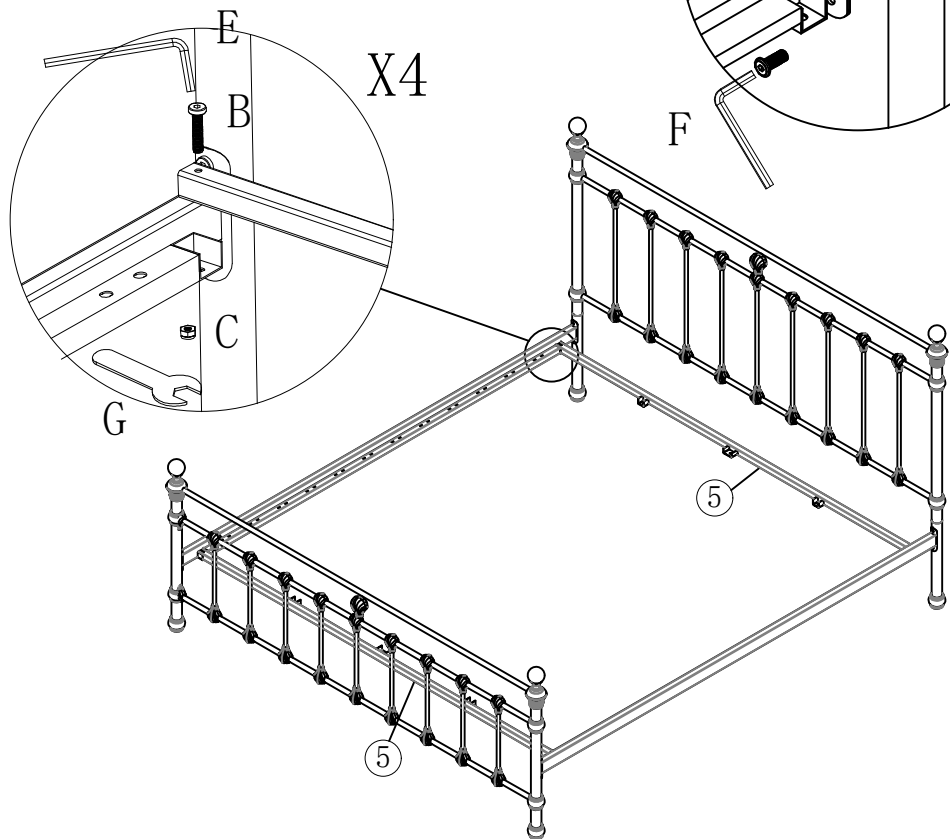
STEP 1



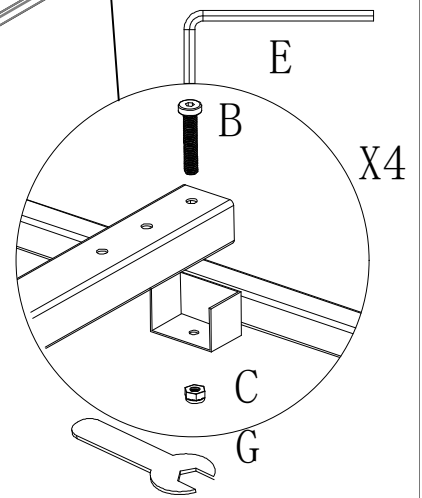
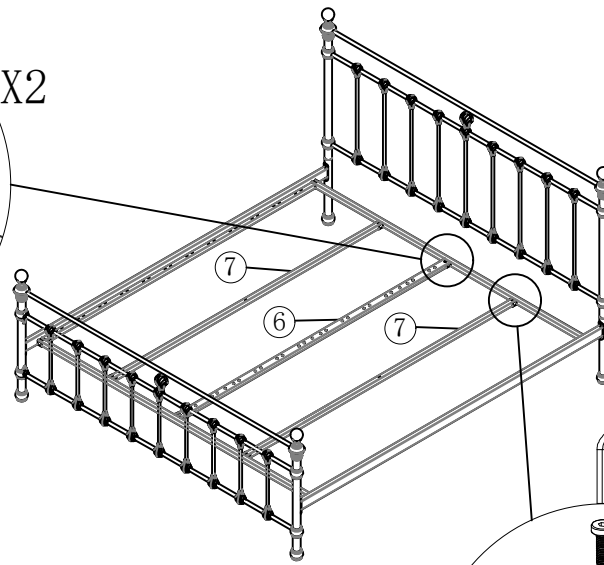
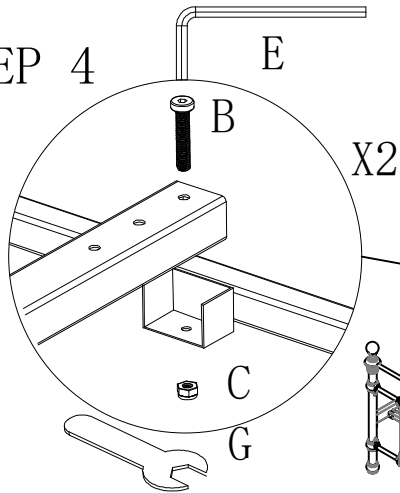
STEP 2



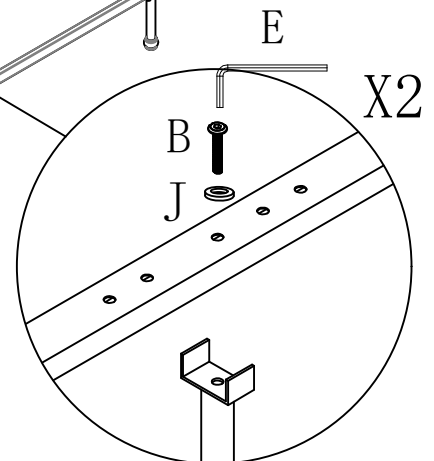
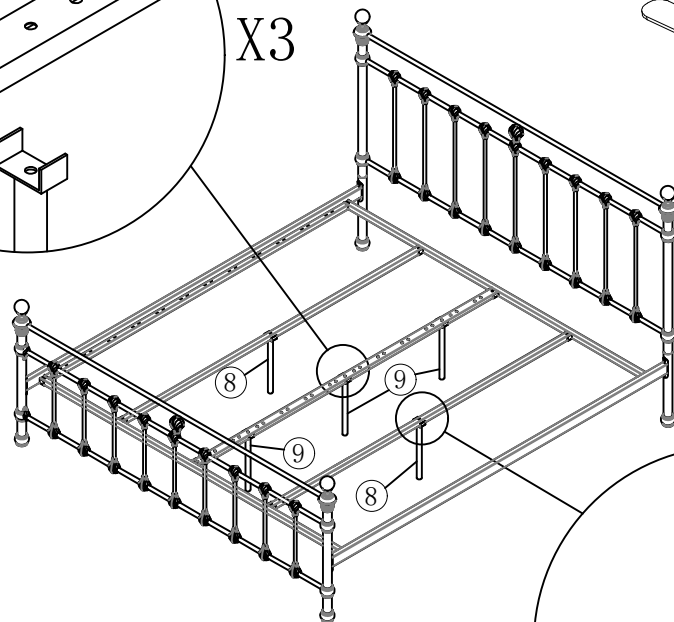
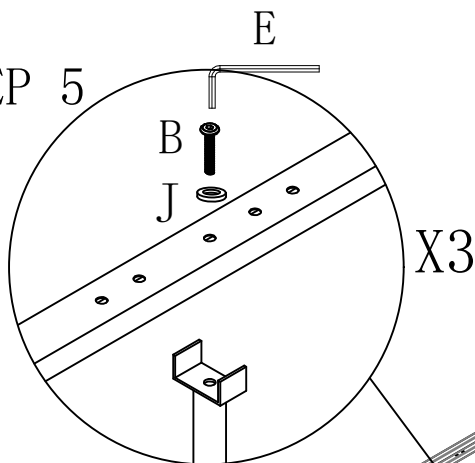
STEP 3



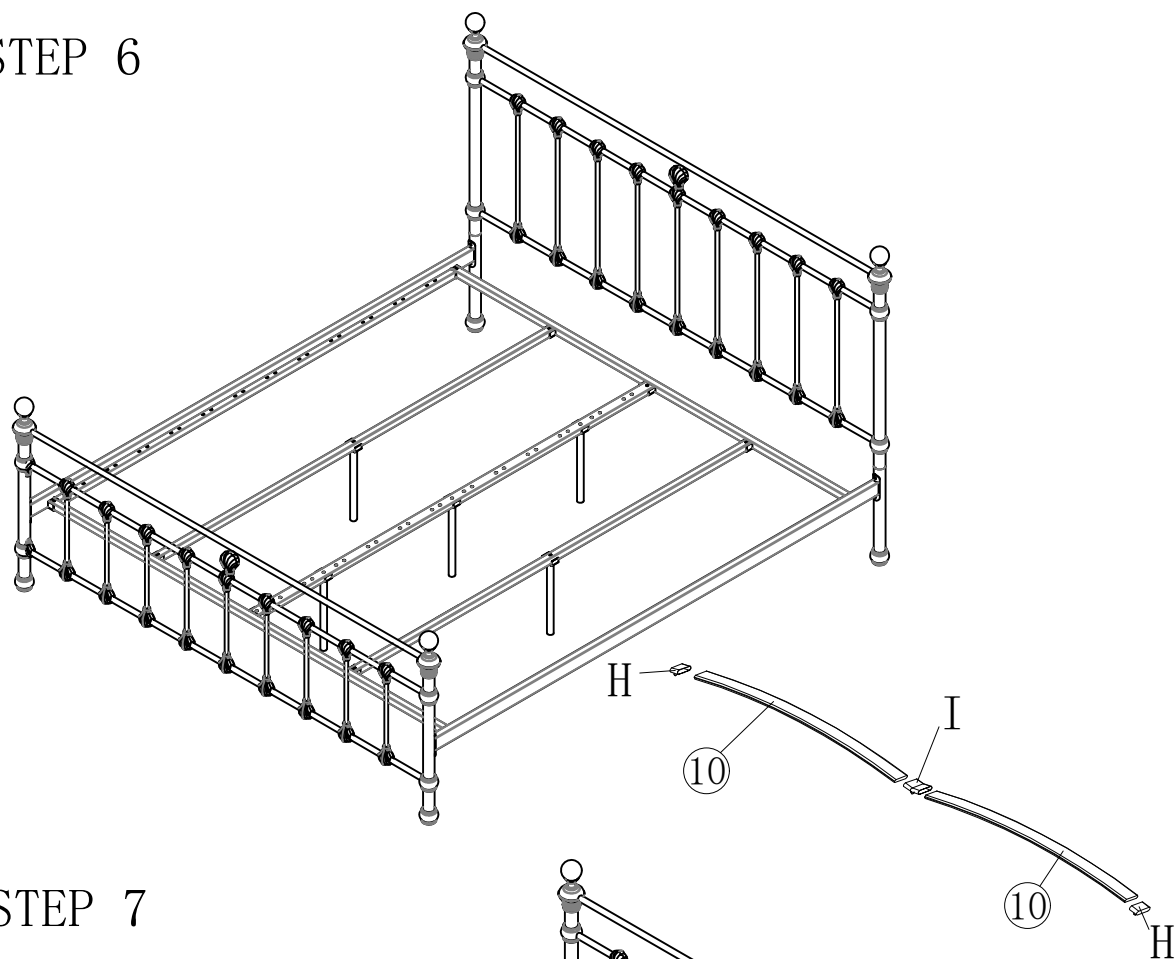
STEP 4



STEP 5



STEP 6



STEP 7

