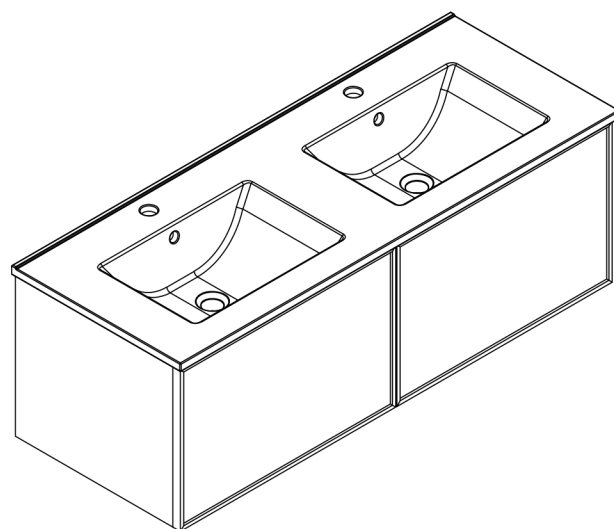
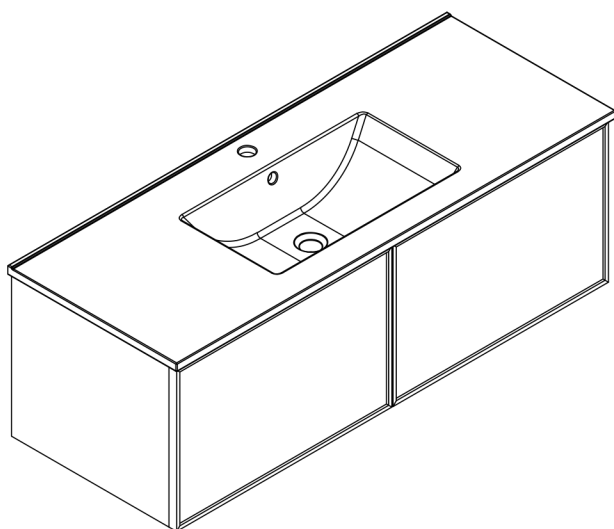


INSTALLATION GUIDE

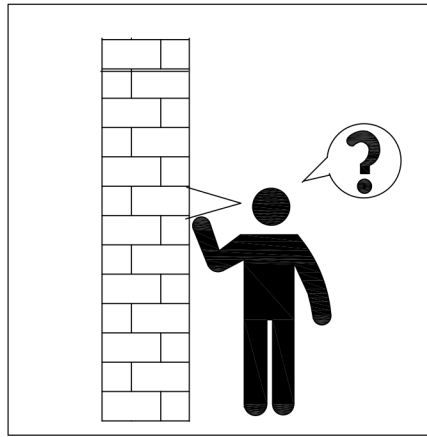
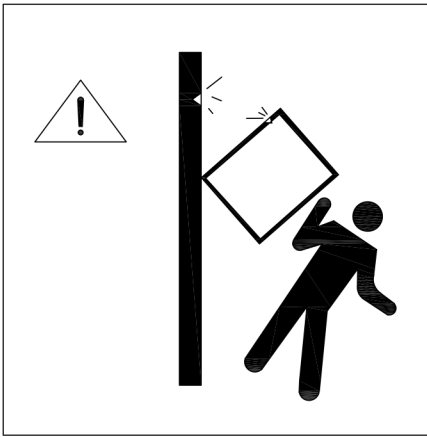


IMPORTANT NOTICE



PLEASE READ BEFORE INSTALLATION.

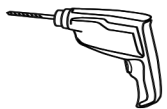
1. Please check against the model number to ensure you received the correct product.
2. If product arrived damaged or incorrect, please return immediately to the place of purchase.
3. Do not install this product if it is found damaged or does not meet your requirements.
4. Contact your supplier if you are unsure or notice a problem.
5. Keep your original purchase invoice/receipt for warranty purpose.
6. Warranty will be void if installation is not done in accordance with the manufacturer's instructions or installed without prior inspection.



SAFETY INSTRUCTIONS

1. Improper assembly of the furniture item can lead to accidents and injuries. The furniture item is only to be assembled by competent persons.
2. Examine the wall structure. Use the wall-plugs and hooks appropriate for your wall type.
3. There should be no electrical cables, supply lines or disposal pipelines running through the installation area. The section of wall where the piece of furniture is to be installed must be level.
4. In order to avoid tipping or falling, fasten the furniture item (including standing types) to the wall using the wall mount.
5. Connecting the power supply is only to be carried out only by a qualified technician.
6. Please consult a qualified technician if you have any questions.

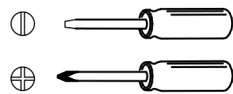
PRE-INSTALLATION - TOOLS REQUIRED



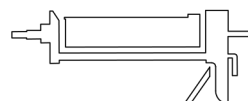
Drill



Measuring tape



Screwdriver



Silicone



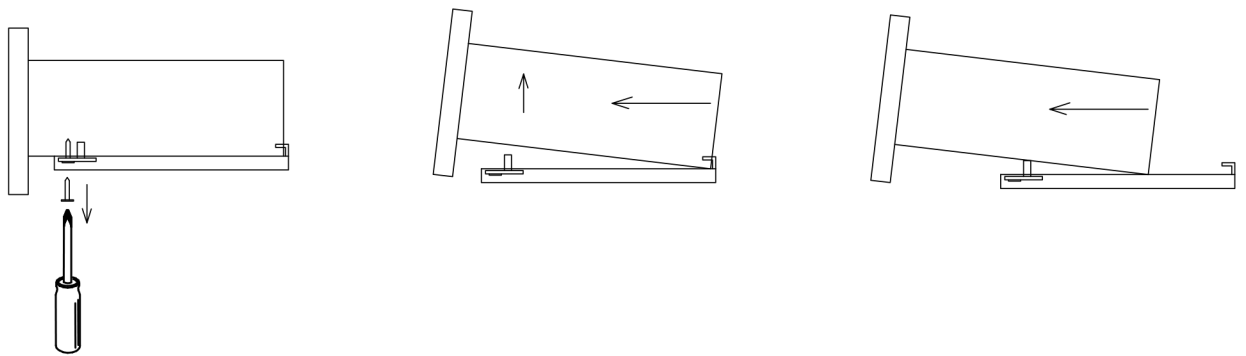
Level



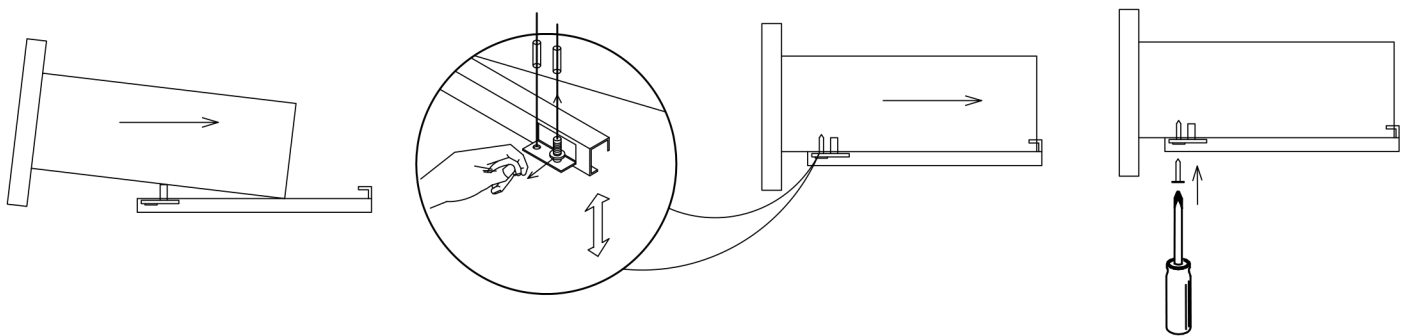
Pencil

M1. Disassembling / Assembling Sofo Drawer

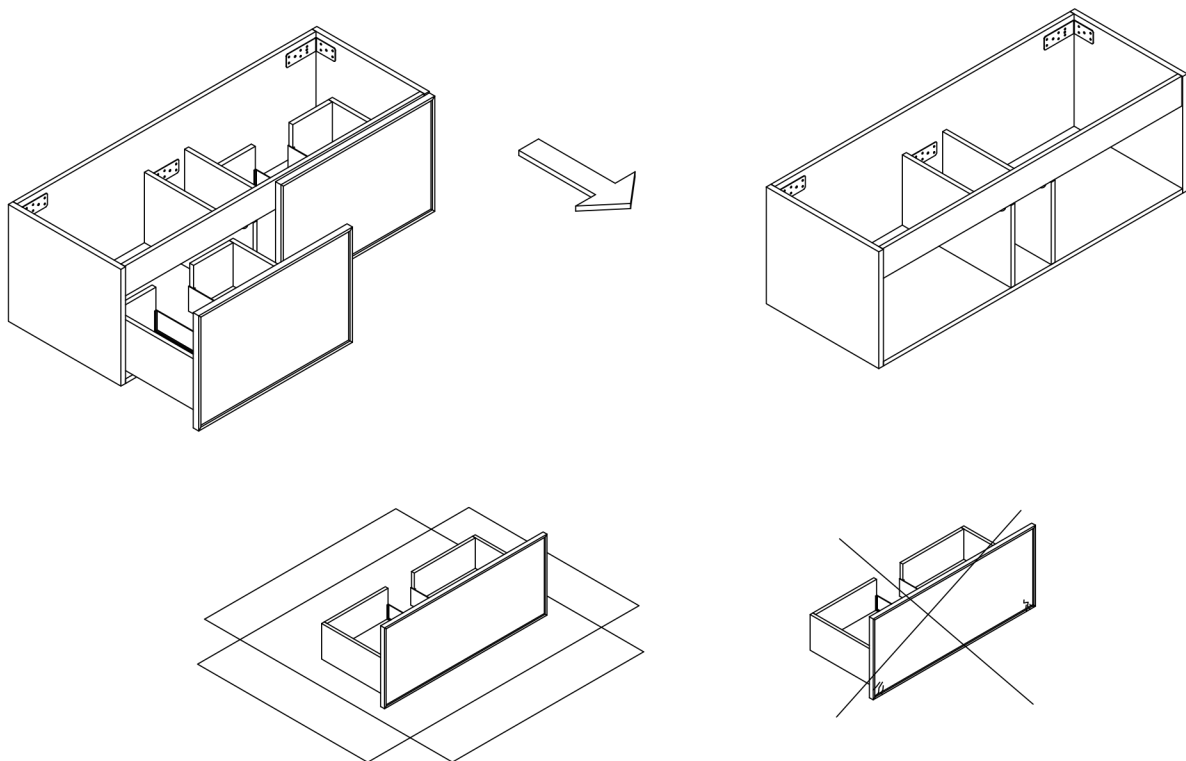
1. Disassembling

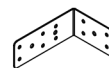
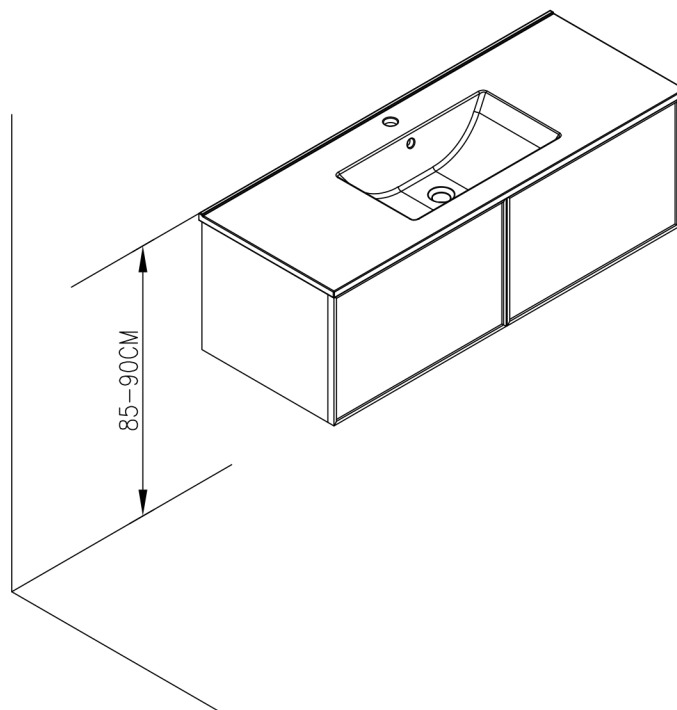
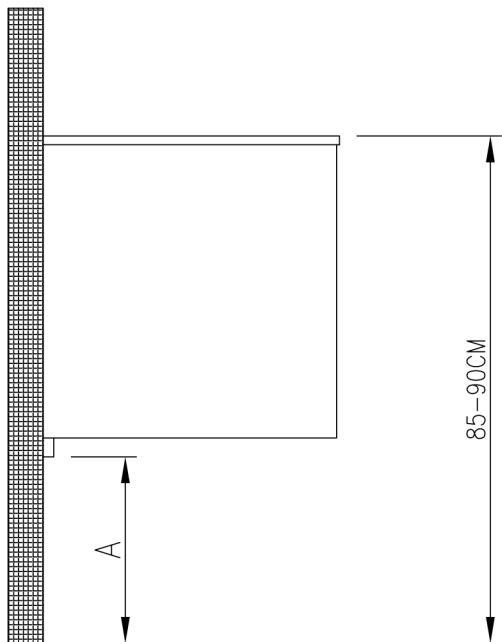


2. Assembling

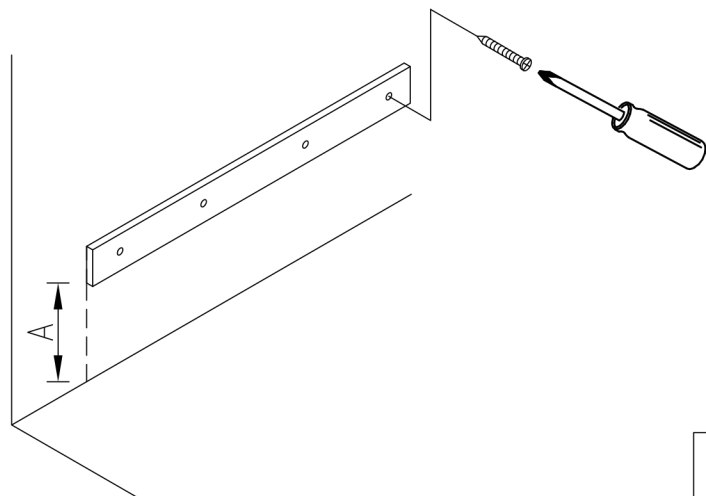
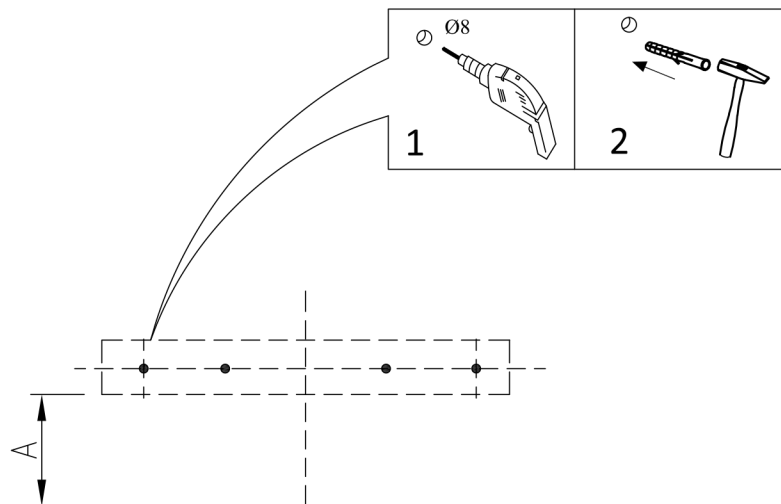
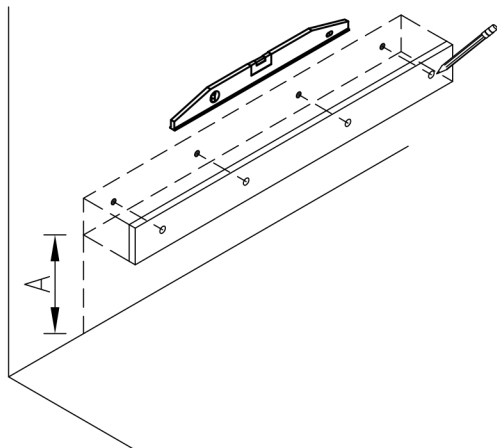


M2.VANITY INSTALLATION

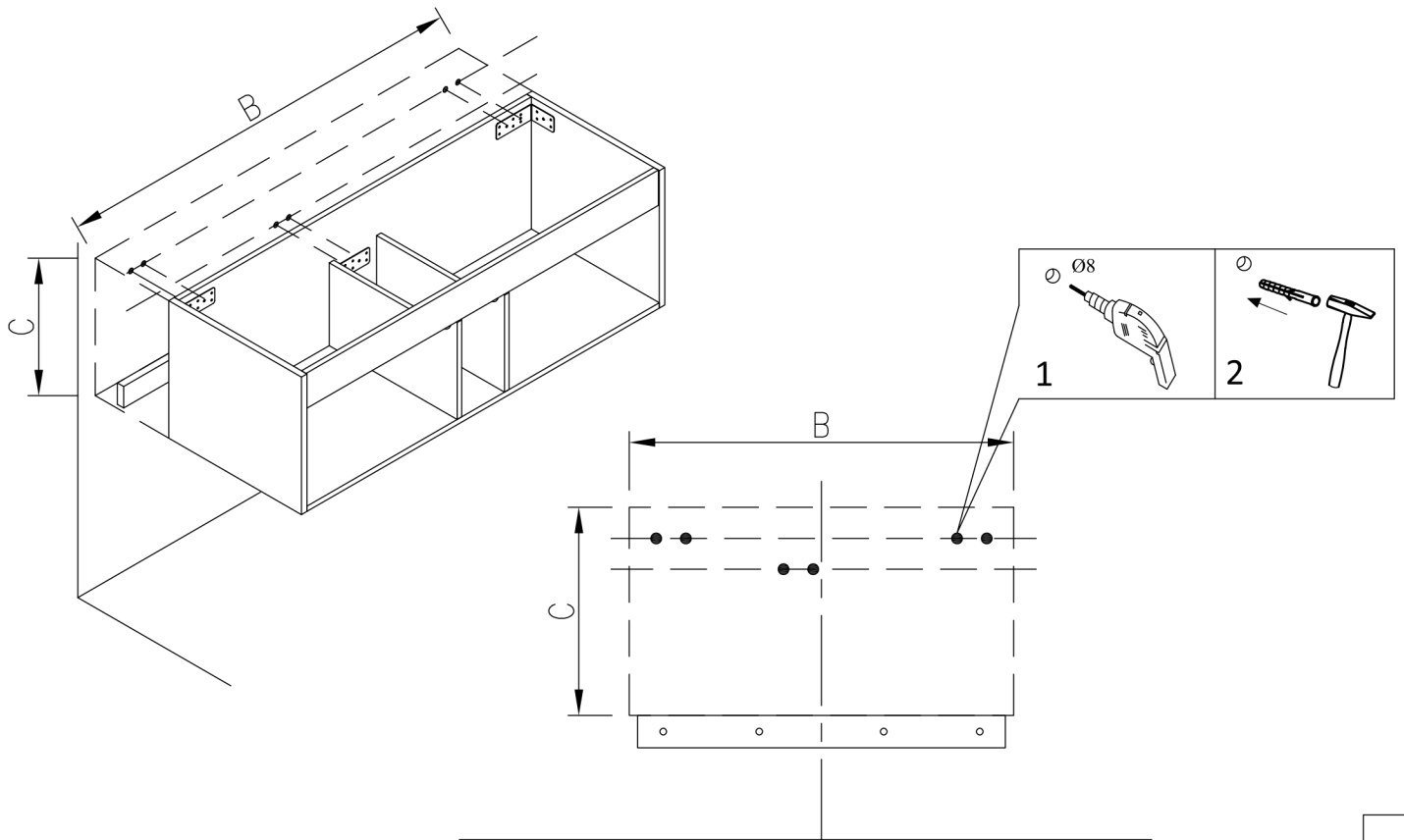




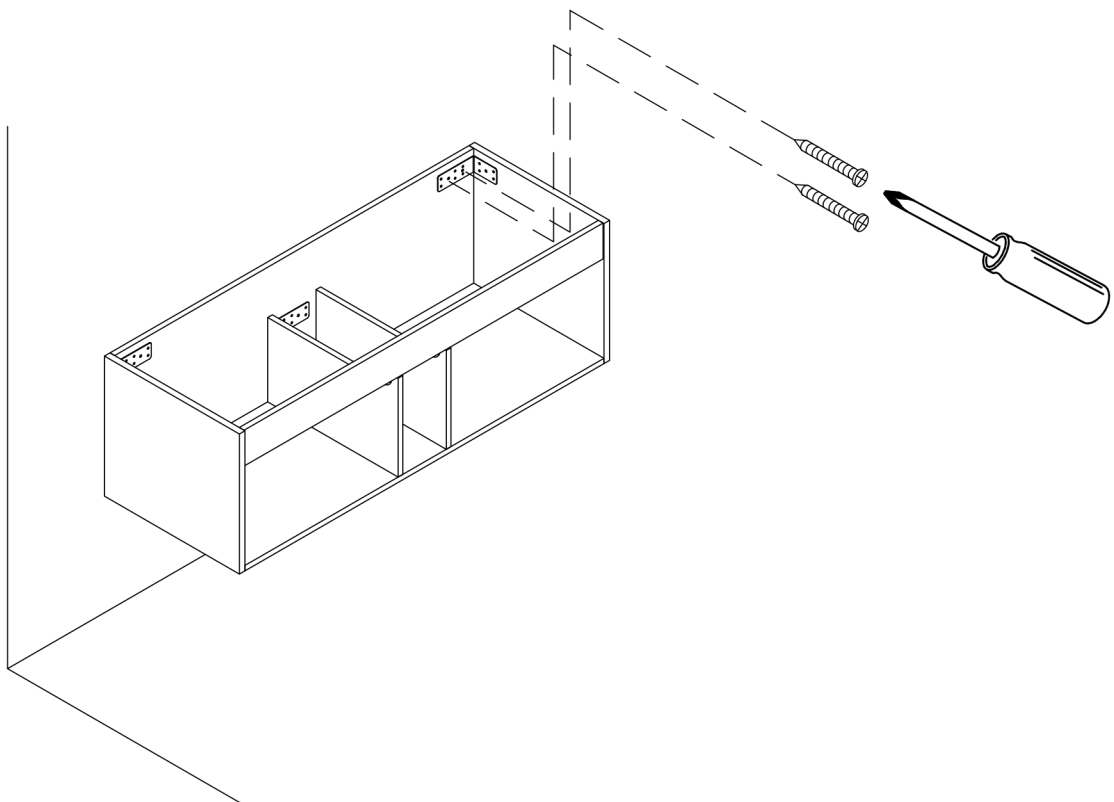
2



3

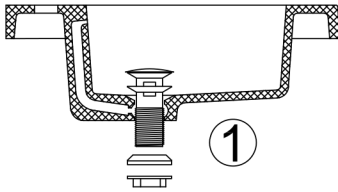
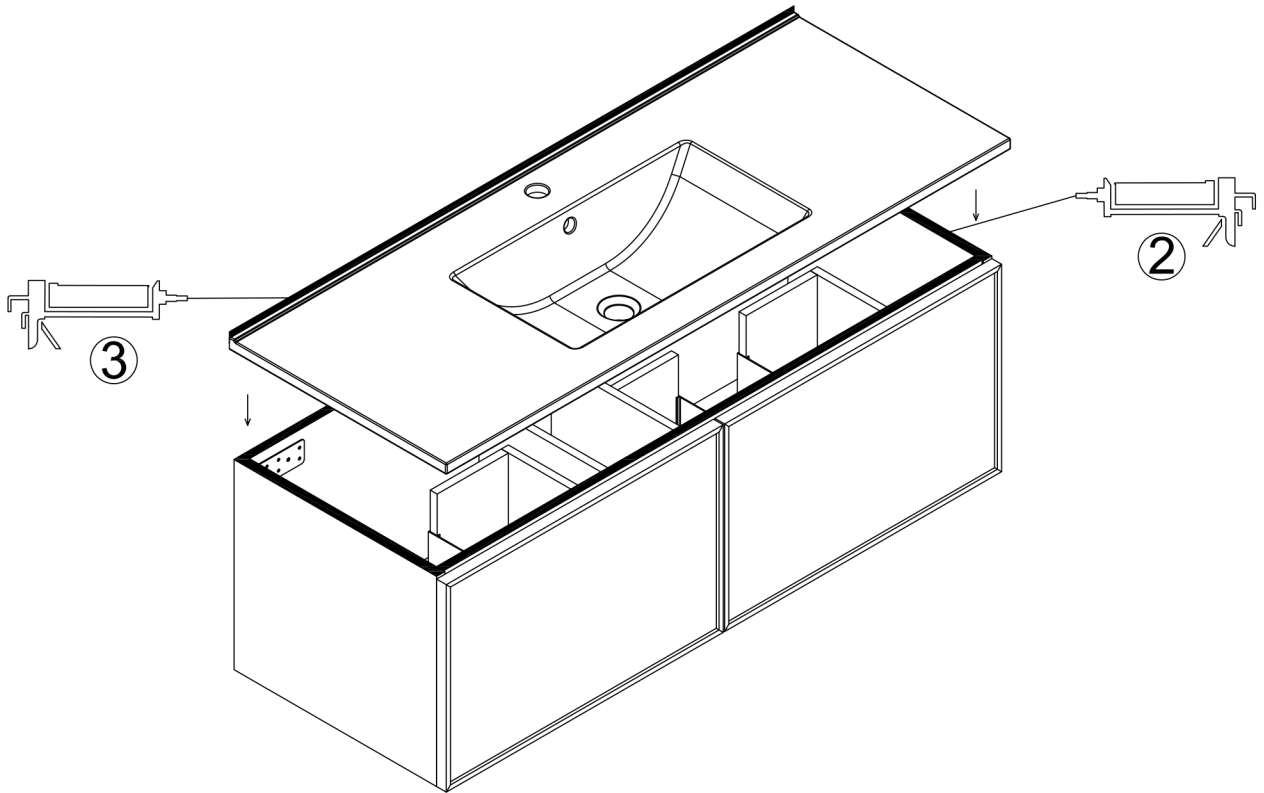


4



5

M3.VANITY TOP INSTALLATION



Please dry the cabinet with a soft cloth after use do not allow to remain wet