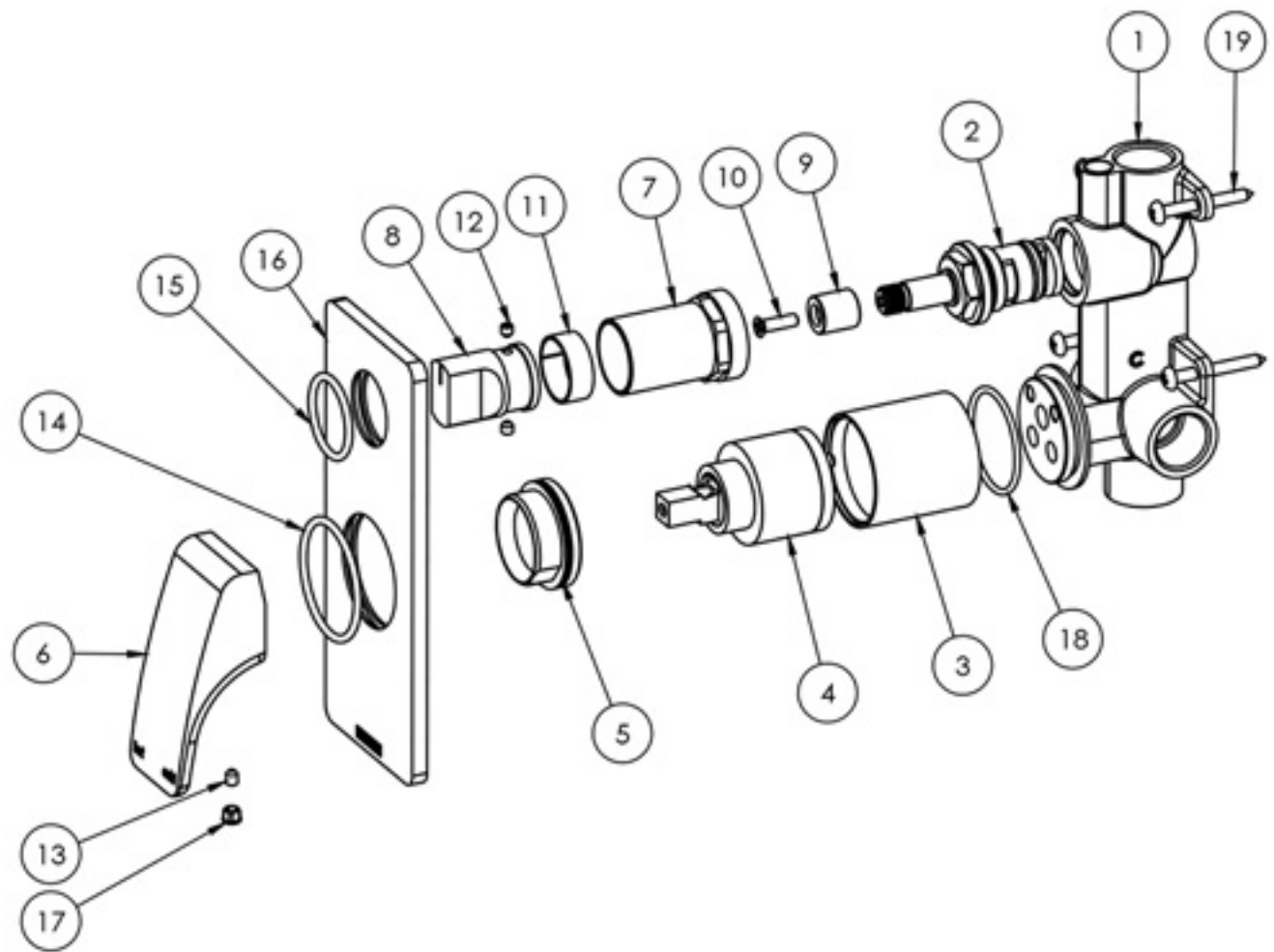


## PARTS LIST

1. BREACH
2. BRASS DIVERter CARTRIDGE
3. MIXER SLEEVE
4. 35MM CARTRIDGE
5. LOCKNUT DOME
6. MIXER HANDLE
7. ROTARY DIVERter SLEEVE
8. ROTARY DIVERter BUTTON
9. ROTARY DIVERter SPINDLE ADAPTER
10. SCREW
11. NYLON BEARING
12. GRUB SCREW M4X4MM
13. GRUB SCREW M4X5MM
14. O-RING 38X2.5MM
15. O-RING 25X2.5MM
16. BACKPLATE
17. SCREW CAP
18. O-RING 33X2.0MM
19. SCREW



## MAINTENANCE AND CARE:

- All surfaces should be cleaned with mild liquid detergent or soap and water.
- Do not use cream cleaners or citrus based cleaning products, as they are abrasive.
- Use of unsuitable cleaning agents may damage the surface. Any damage caused in this way will not be covered by warranty.

## PACKAGING INCLUDES

- 1 x Shower bath diverter mixer
- 1 x Installation kit
- 1 x Installation instructions
- 1 x Warranty card